



US00D530407S

(12) **United States Design Patent**
McDowell

(10) **Patent No.:** **US D530,407 S**

(45) **Date of Patent:** **** Oct. 17, 2006**

(54) **SINK**

2006/0053545 A1 * 3/2006 Schulken 4/515

(76) Inventor: **Sandra L. McDowell**, P.O. Box 1248,
Chickaloon, AK (US) 99674

* cited by examiner

(**) Term: **14 Years**

Primary Examiner—Robert A. Delehanty

(74) *Attorney, Agent, or Firm*—Michael Tavella

(21) Appl. No.: **29/236,584**

(57) **CLAIM**

(22) Filed: **Aug. 17, 2005**

The ornamental design for a sink, as shown and described.

(51) **LOC (8) Cl.** **23-02**

DESCRIPTION

(52) **U.S. Cl.** **D23/289**

FIG. 1 is a front perspective view of a sink showing my new design.

(58) **Field of Classification Search** D23/272–274,

FIG. 2 is a front elevation view thereof.

D23/284–285, 288–289, 291, 293.1, 303,

FIG. 3 is left side elevation view thereof, the opposite side being a mirror image thereof.

D23/308; 4/515–516, 519, 619, 650, 661

See application file for complete search history.

FIG. 4 is a top plan view of my new design.

(56) **References Cited**

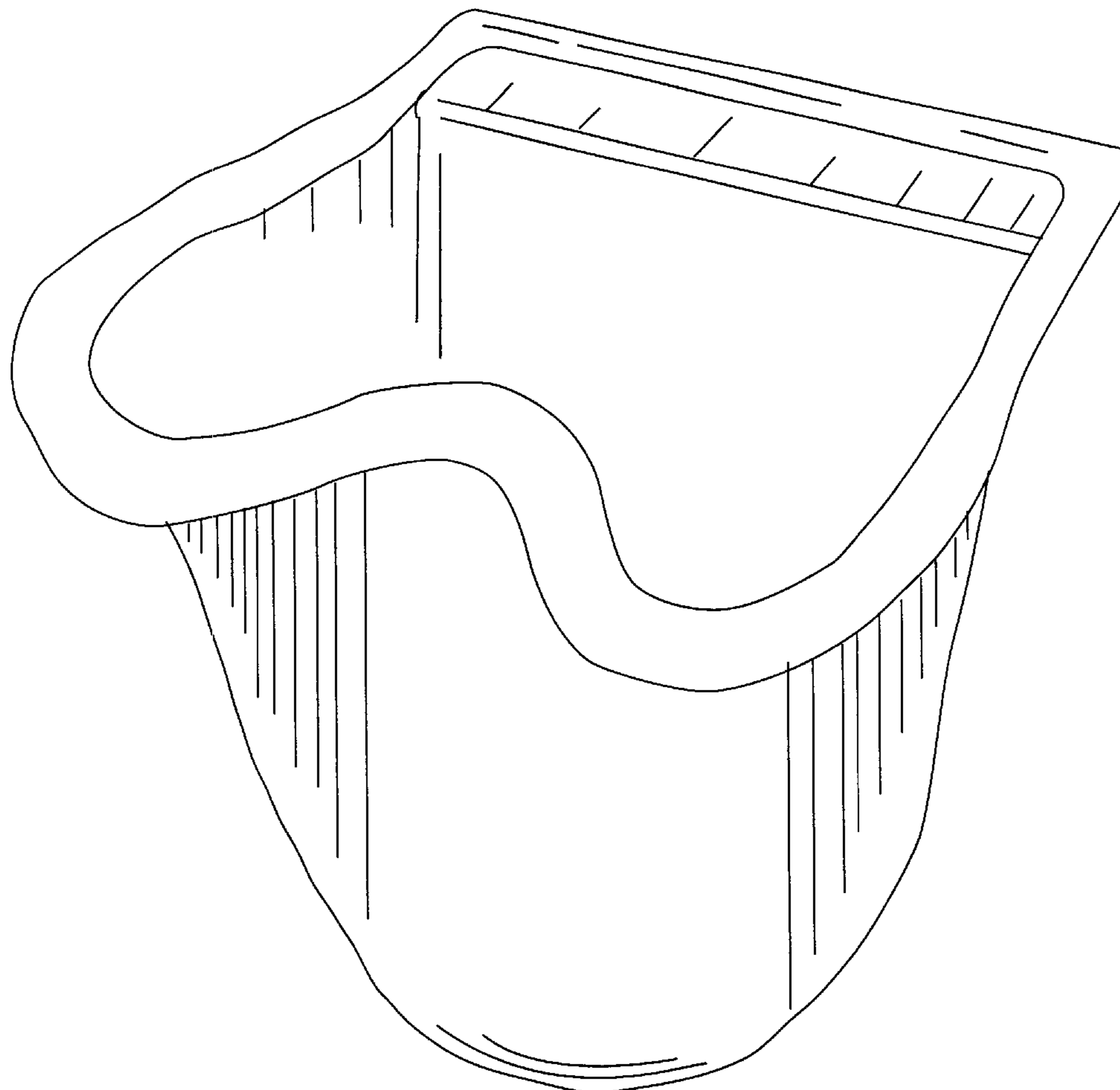
FIG. 5 is a rear elevation view thereof; and,

U.S. PATENT DOCUMENTS

FIG. 6 is bottom plan view a thereof.

D93,105 S * 8/1934 Hudson D23/289

1 Claim, 6 Drawing Sheets



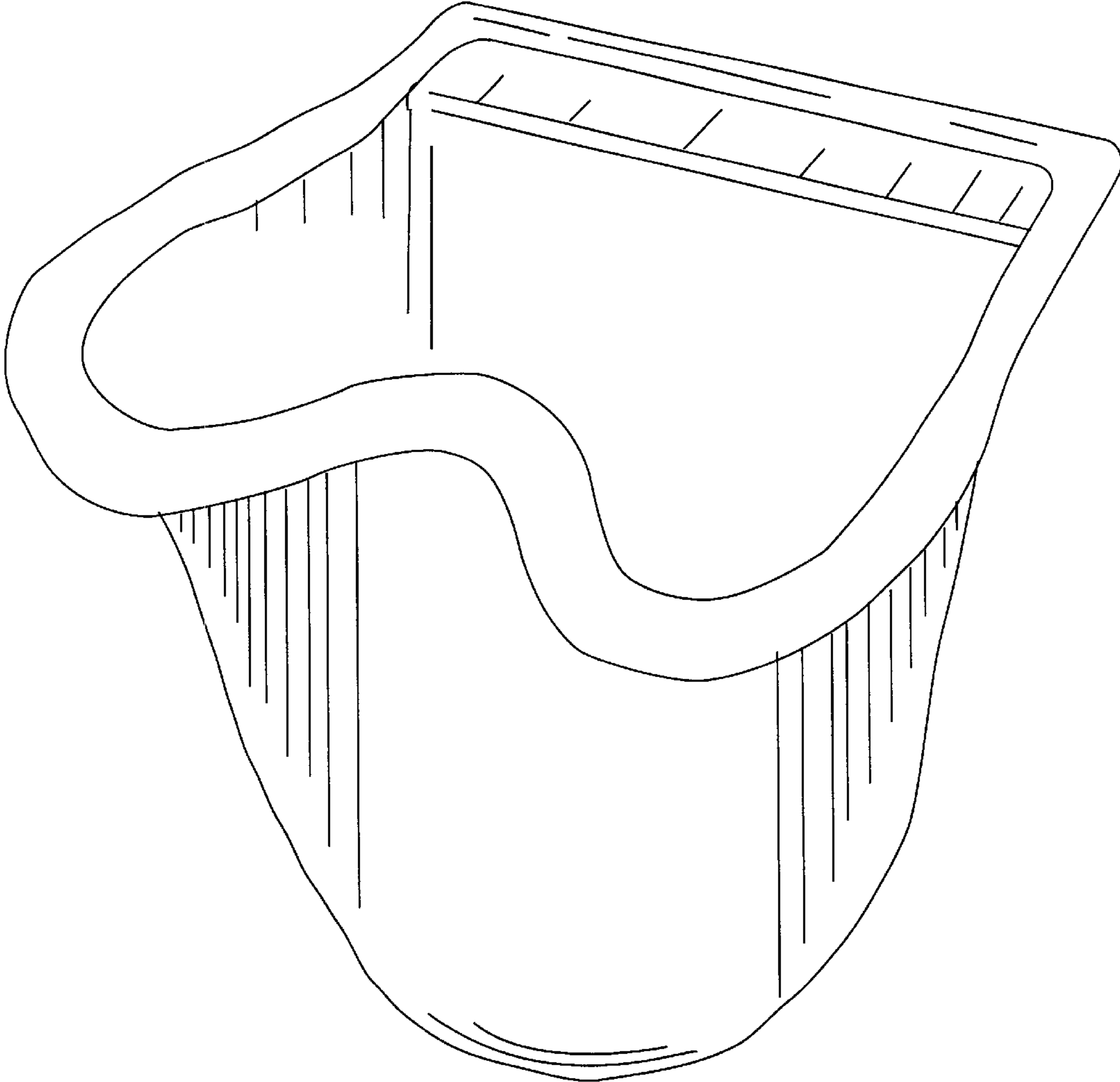


Figure 1

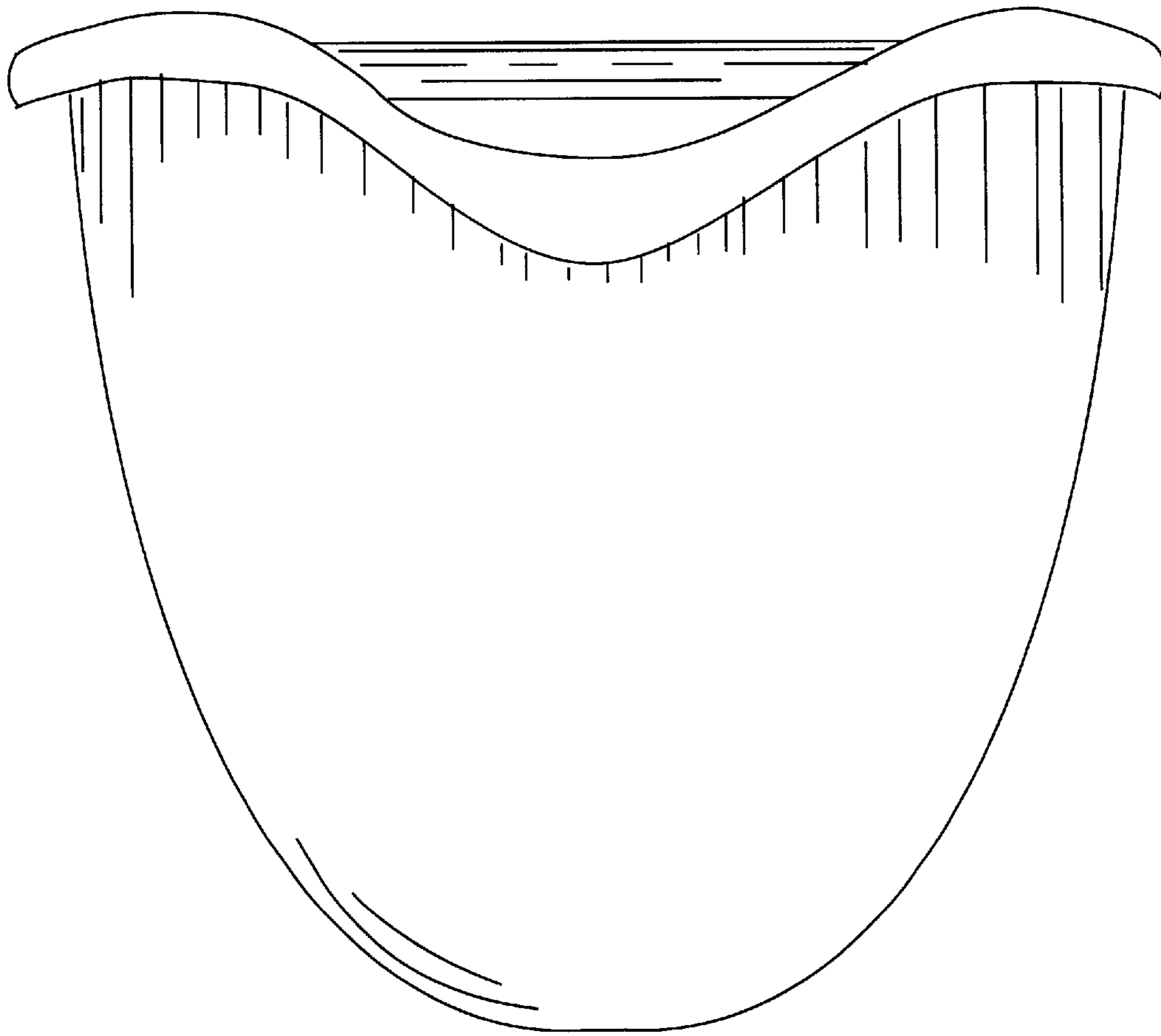


Figure 2

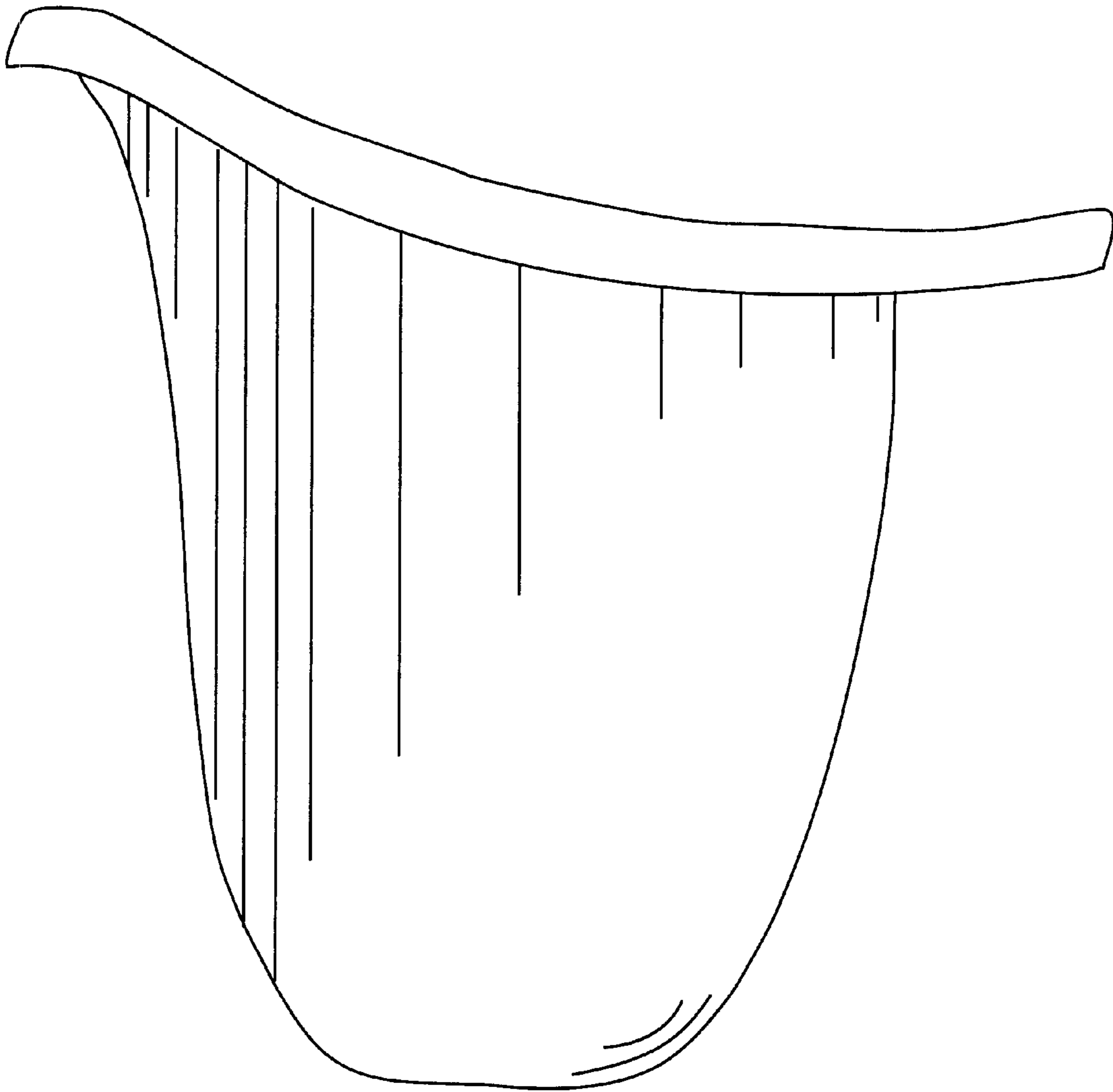


Figure 3

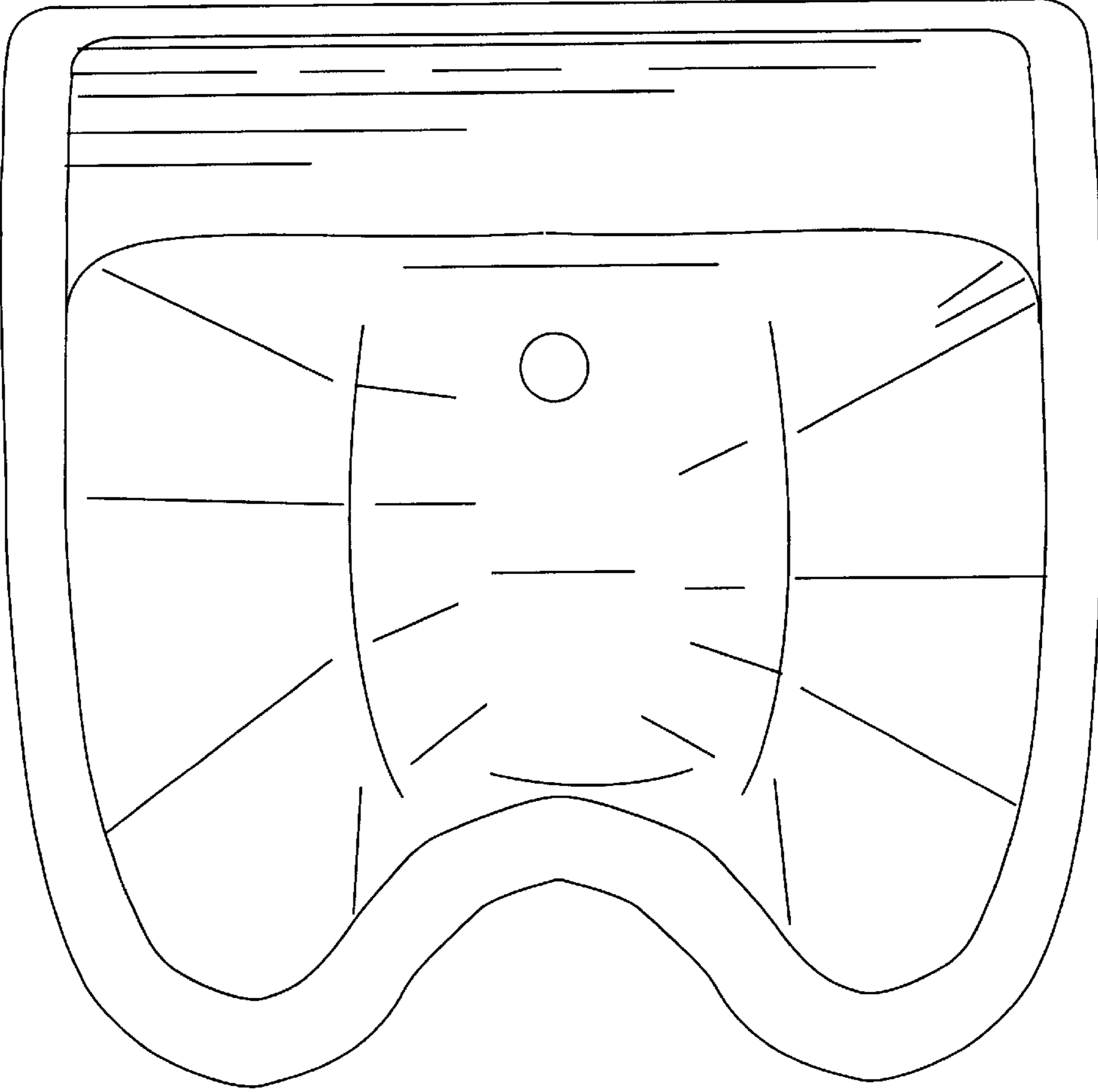


Figure 4

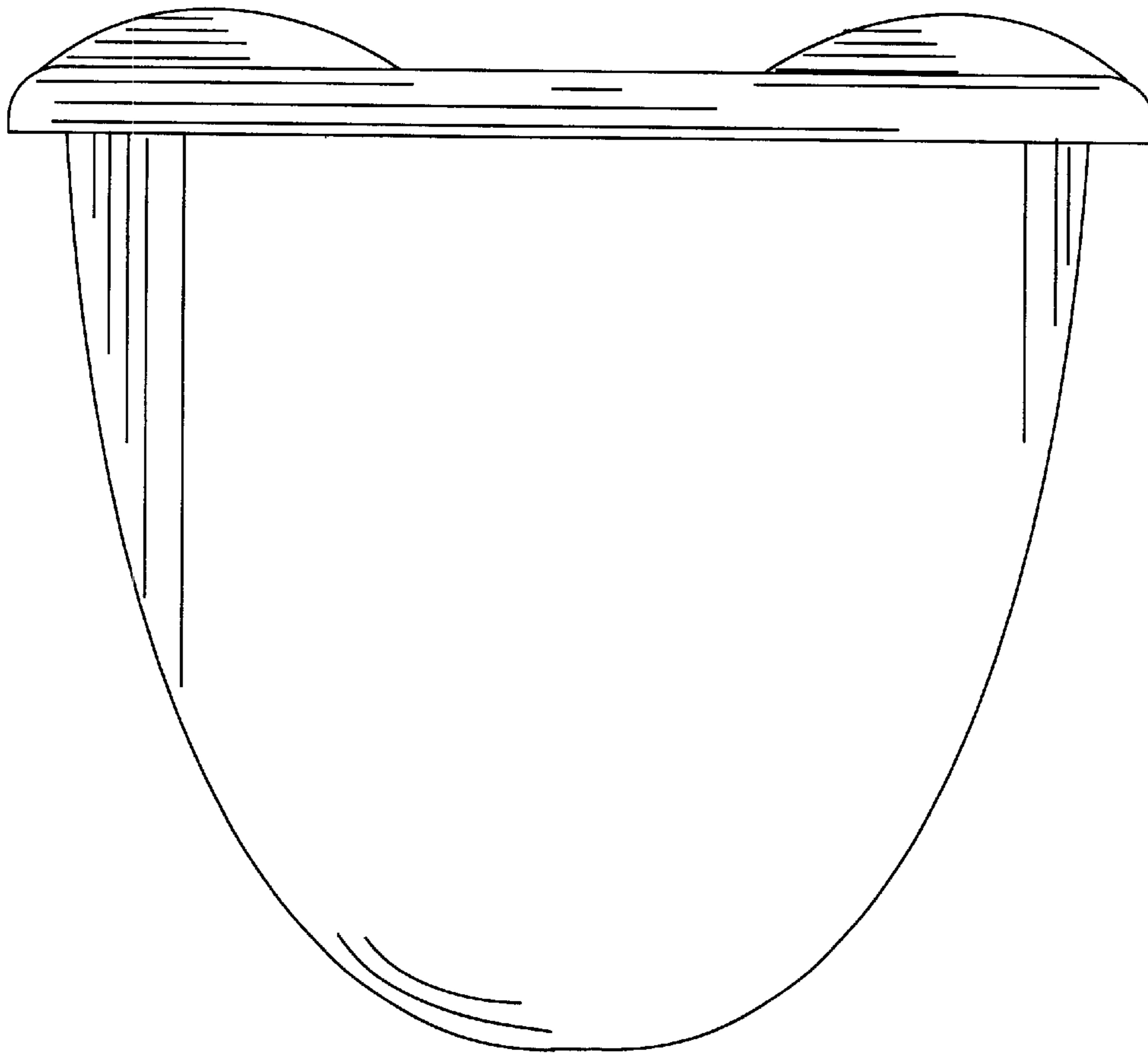


Figure 5

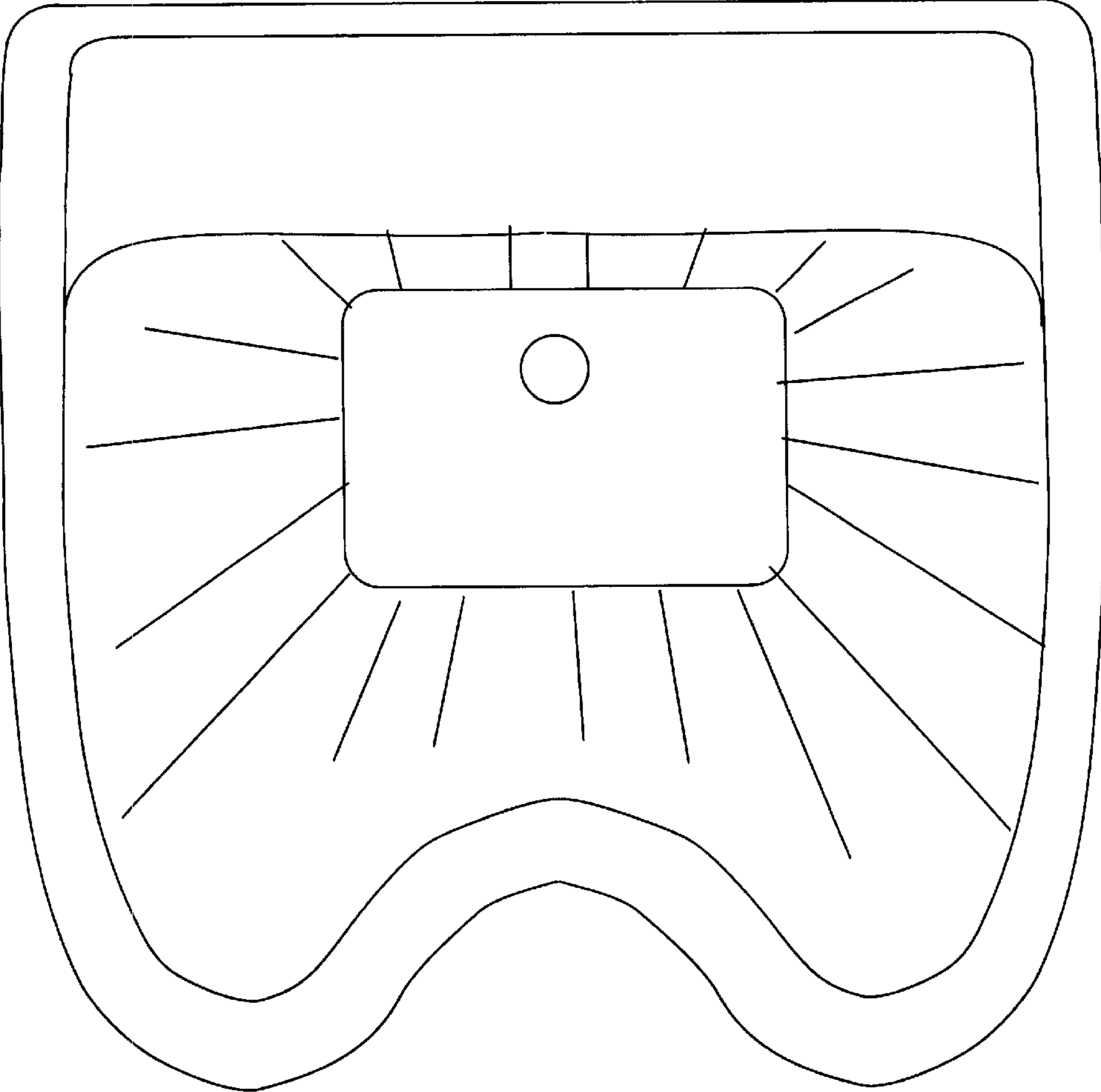


Figure 6