



US00D530404S

(12) **United States Design Patent**  
**Lonneman et al.**

(10) **Patent No.:** **US D530,404 S**  
(45) **Date of Patent:** **\*\* Oct. 17, 2006**

(54) **SINK**

(75) Inventors: **Deborah Marie Lonneman**, Lombard, IL (US); **John Michael Douglass**, Algonquin, IL (US)

(73) Assignee: **Elkay Manufacturing Company**, Oak Brook, IL (US)

(\*\*) Term: **14 Years**

(21) Appl. No.: **29/227,075**

(22) Filed: **Apr. 6, 2005**

(51) **LOC (8) Cl.** ..... **23-02**

(52) **U.S. Cl.** ..... **D23/285**

(58) **Field of Classification Search** ..... D23/272-274, D23/284-285, 288-289, 291, 293.1, 303, D23/308, 515-516, 519, 619, 650, 661  
See application file for complete search history.

(56) **References Cited**

**PUBLICATIONS**

Elkay press release: "Scrub-a-Dubs™ sinks from Elkay add Whimsy to Children's Bath", Fish Sink, www.elkayusa.com, Apr. 1, 2006.\*

\* cited by examiner

*Primary Examiner*—Robert A. Delehanty

(74) *Attorney, Agent, or Firm*—Leydig, Voit & Mayer, Ltd.

(57) **CLAIM**

The ornamental design for a sink, as shown and described.

**DESCRIPTION**

FIG. 1 is a perspective view taken from the top, front and right side of a sink showing our new design;

FIG. 2 is a top plan view of the sink shown in FIG. 1;

FIG. 3 is a bottom view of the sink shown in FIG. 1;

FIG. 4 is a front side view of the sink shown in FIG. 1;

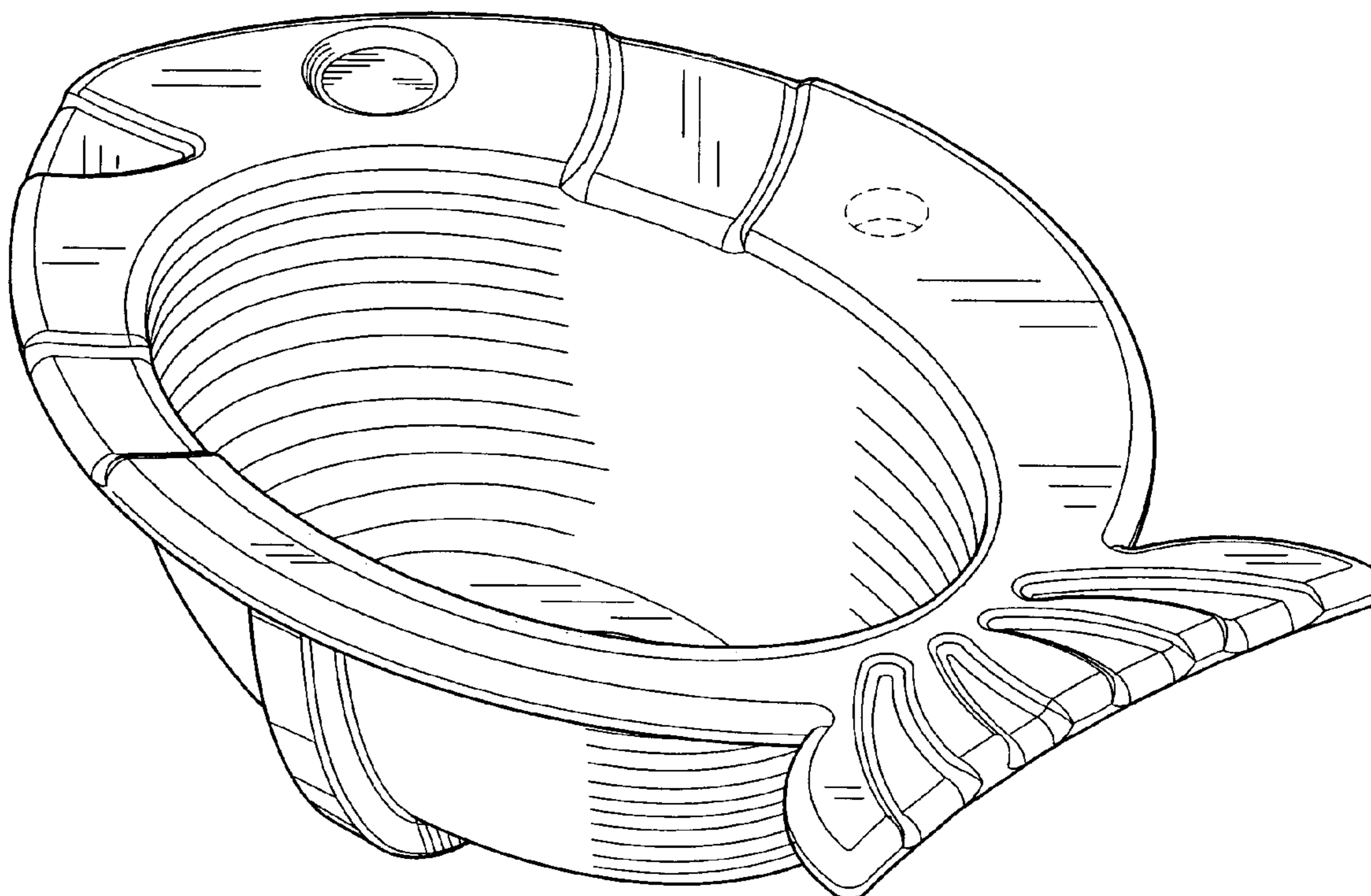
FIG. 5 is a rear side view of the sink shown in FIG. 1;

FIG. 6 is a left side view of the sink shown in FIG. 1; and,

FIG. 7 is a right side view of the sink shown in FIG. 1.

The broken lines disclosing an opening for a faucet are for illustration purposes only and form no part of the claimed design.

**1 Claim, 5 Drawing Sheets**



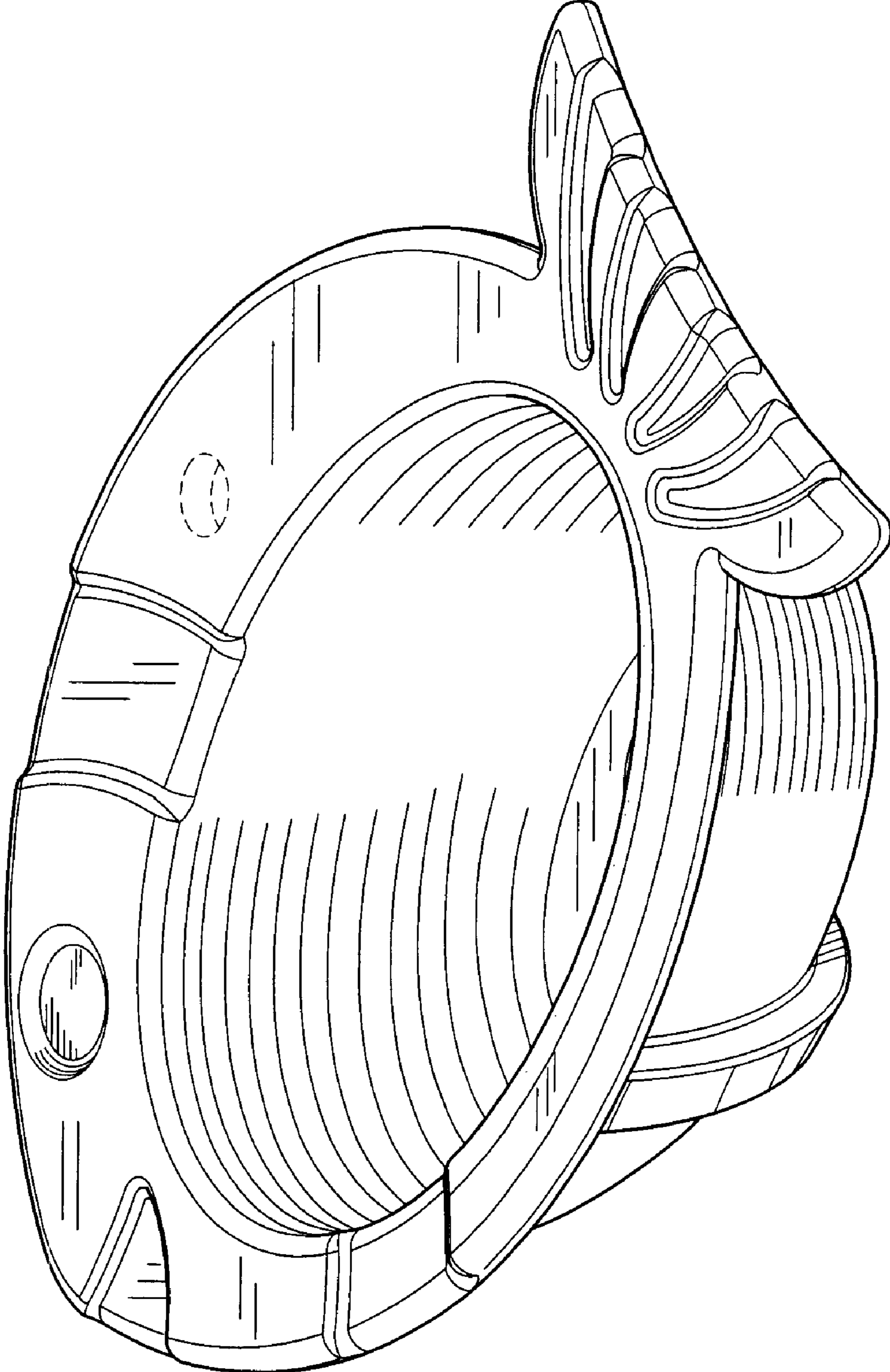


FIG. 1

FIG. 2

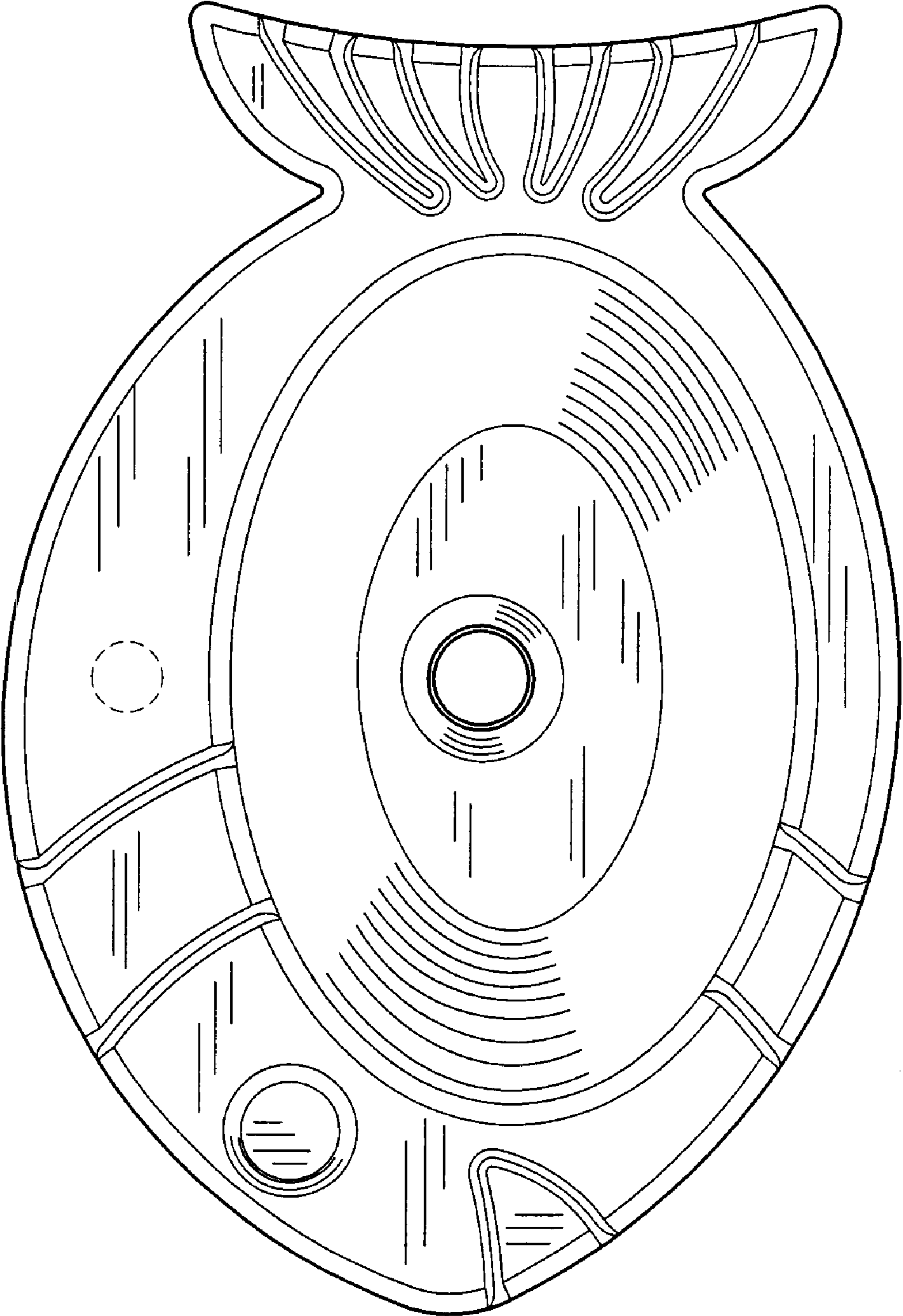


FIG. 3

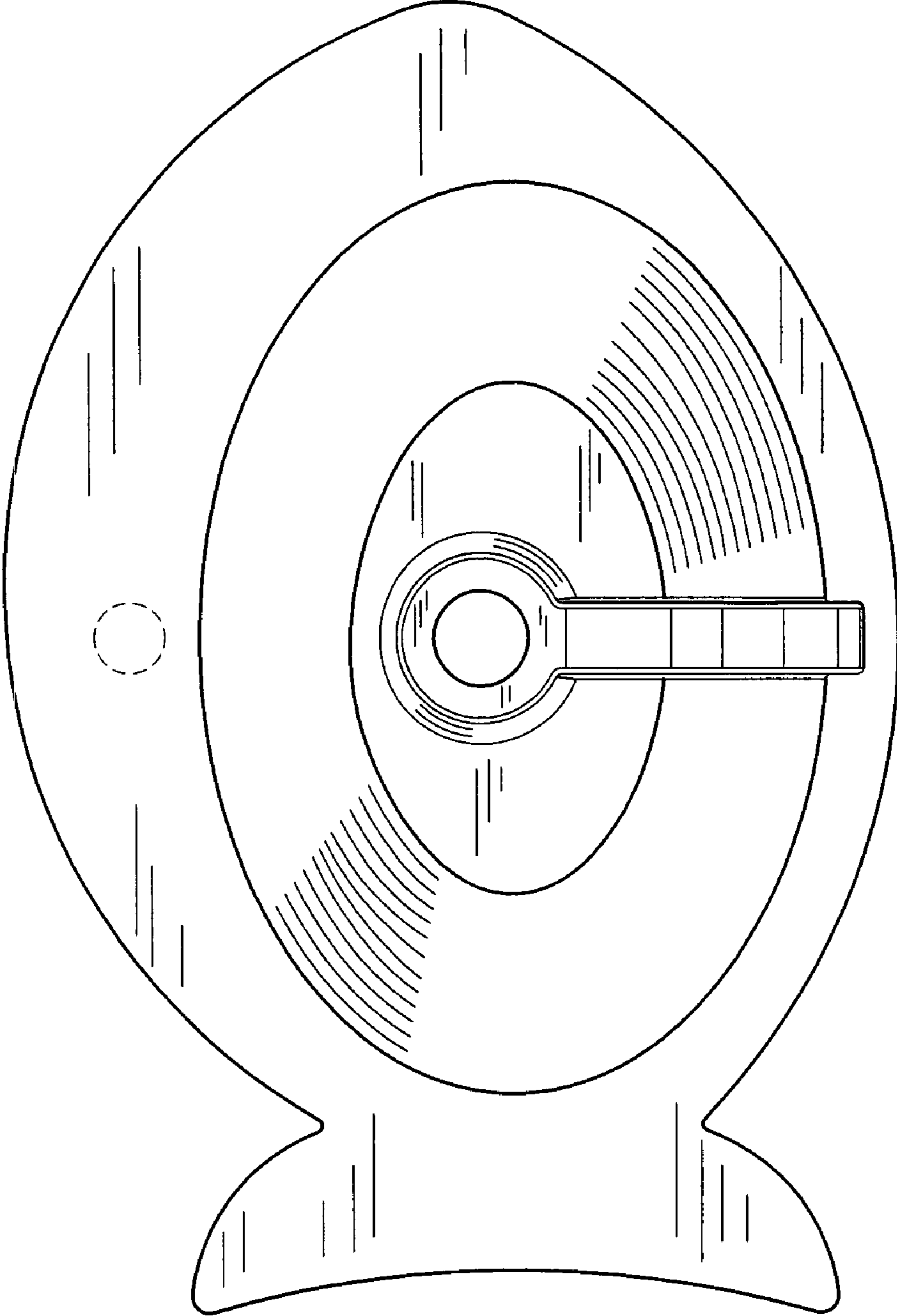


FIG. 4

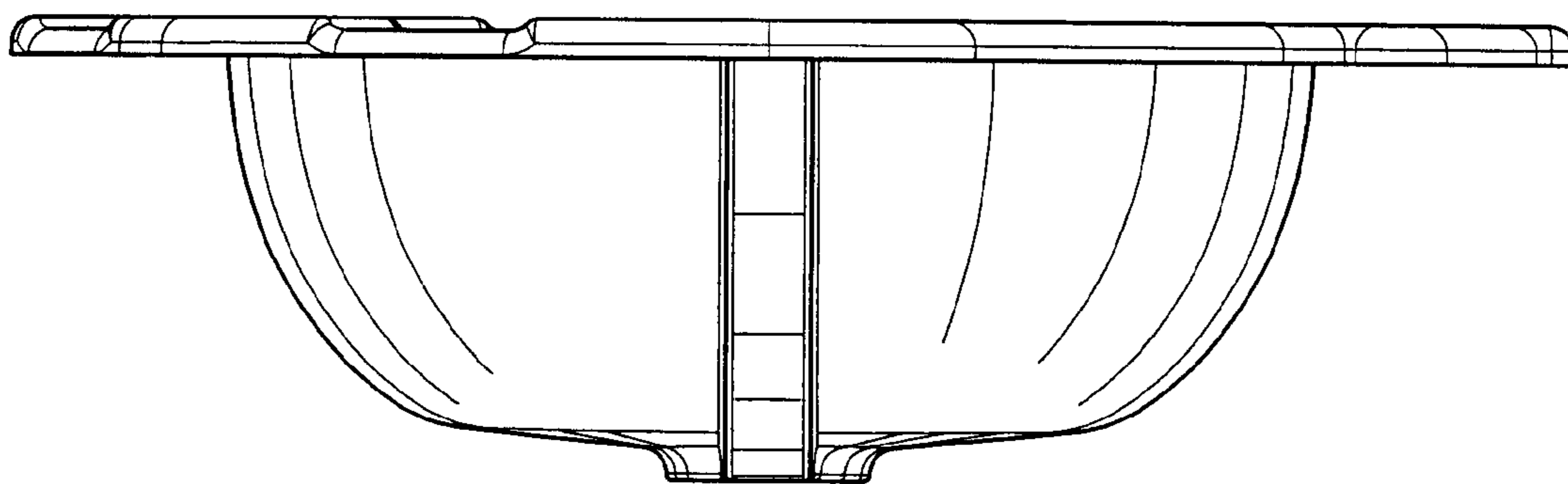


FIG. 5

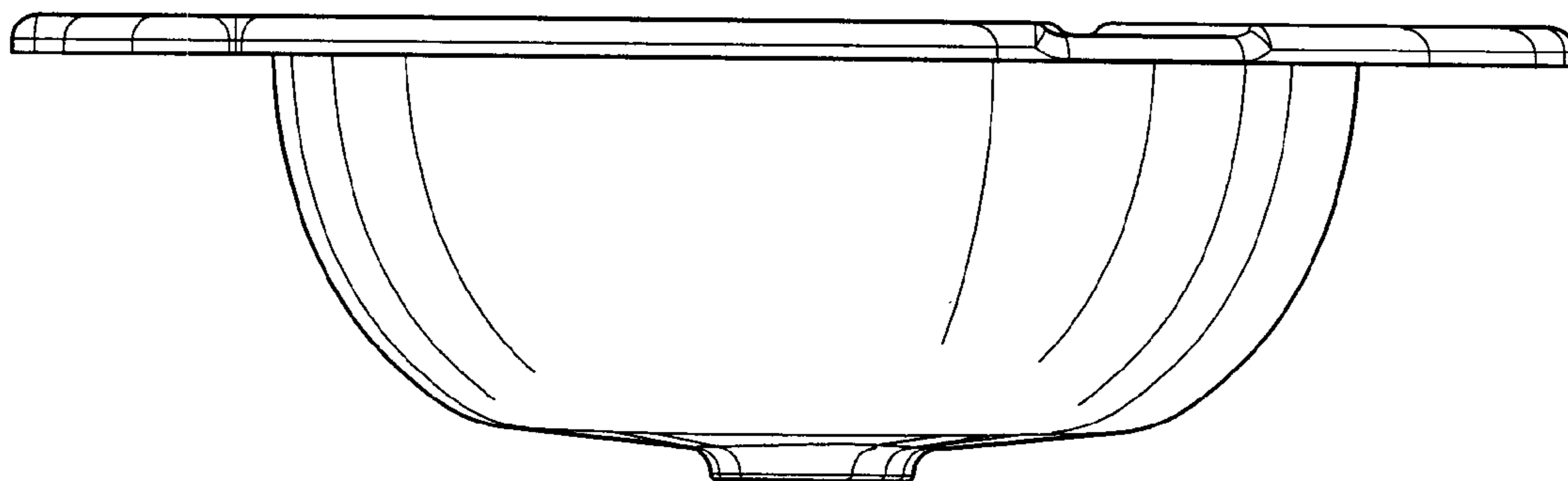


FIG. 6

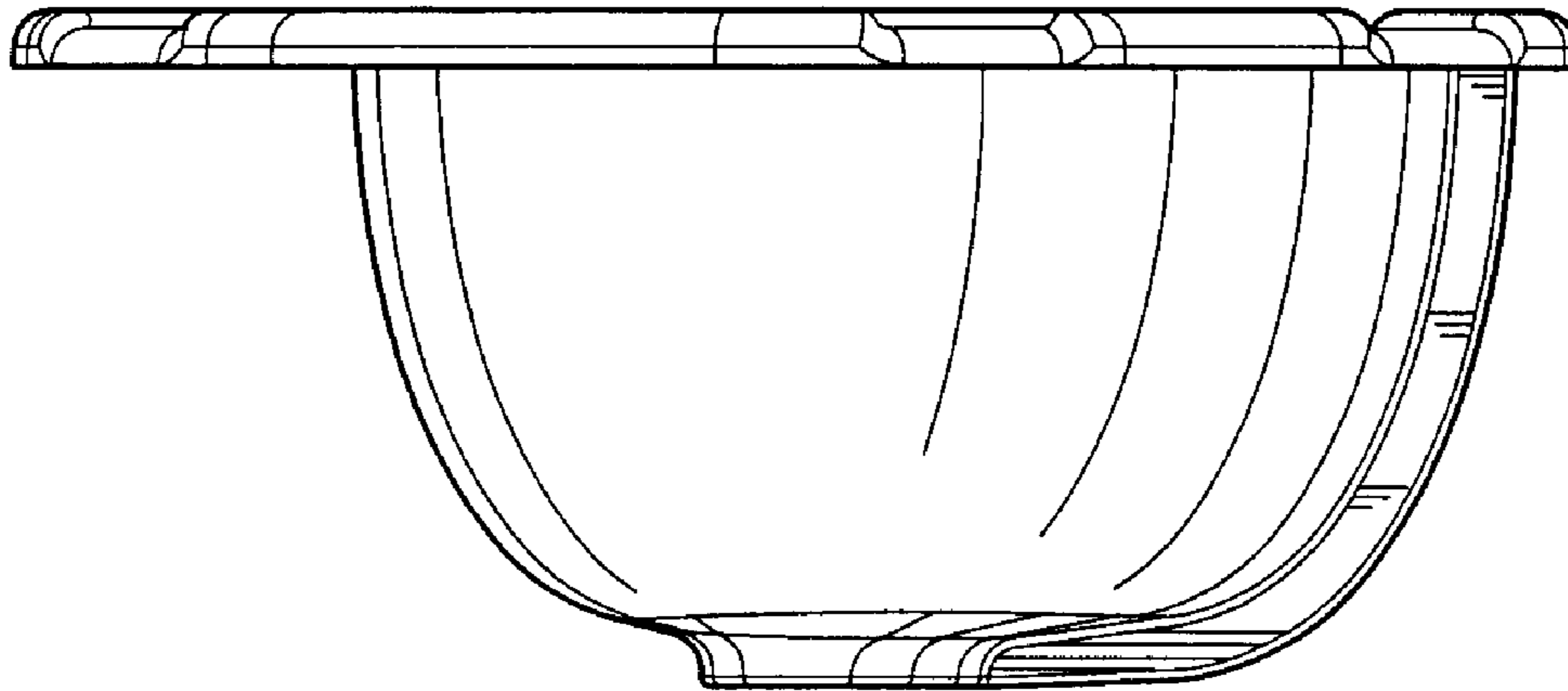


FIG. 7

