



US00D530402S

(12) **United States Design Patent** (10) **Patent No.:** **US D530,402 S**
Soulier (45) **Date of Patent:** **** Oct. 17, 2006**

(54) **TUB FOR BATHING**
(75) Inventor: **Jean-Hugues Soulier**, Vaucresson (FR)
(73) Assignee: **Kohler France SAS**, Paris (FR)
(**) Term: **14 Years**

(21) Appl. No.: **29/220,909**
(22) Filed: **Jan. 7, 2005**

(51) **LOC (8) Cl.** **23-02**
(52) **U.S. Cl.** **D23/280.1**
(58) **Field of Classification Search** D23/273,
D23/276-277, 280.1-280.3, 303-306; D24/204-205;
4/538, 584
See application file for complete search history.

(56) **References Cited**

U.S. PATENT DOCUMENTS

D318,323 S * 7/1991 Stairs, Jr. D23/277
5,477,568 A * 12/1995 Wang 4/592
D373,817 S * 9/1996 Andronico D23/277
D407,468 S * 3/1999 McKeone D23/277
D454,181 S * 3/2002 Bertoli D23/277

OTHER PUBLICATIONS

BATHTEC, "Hampshire", web page from www.bathtec.com, dated Jan. 5, 2005.
Bathroom Trading, "Rectangular Steel Baths", web page from www.bathroomtrading.com, dated Jan. 5, 2005.
BATHTEC, "Surrey Suffolk", web page from www.bathtec.com, dated Jan. 5, 2005.
FMC, "Swan Whirlpool", catalog page, undated.
JACUZZI, "Pure-Air by Jacuzzi Whirlpools", web page from www.bathandkitchenstudio.com, dated Jan. 5, 2005.
American Standard, "Stratford 5½' Whirlpool", web page from www.americanstandard-us.com, dated Jan. 5, 2005.
KOHLER, "Portrait", catalog page, undated.
DELAFON, catalog page, undated.

KOHLER, "Memoirs 6' Whirlpool & Bath", catalog p. 8.22, undated.

TOTO, "Enamaled Cast Iron Bathtub", web page from www.totousa.com, dated Jan. 5, 2005.

* cited by examiner

Primary Examiner—Robert A. Delehanty
(74) *Attorney, Agent, or Firm*—Quarles & Brady LLP

(57) **CLAIM**

The ornamental design for a tub for bathing, as shown and described.

DESCRIPTION

In a preferred embodiment, the nature of this product is as a plumbing fixture in the form of a bathing tub primary useful for washing the human body.

FIG. 1 is a right, top, front perceptive view of a tub for bathing embodying my new design;

FIG. 2 is a top plan view thereof;

FIG. 3 is a front elevation view thereof, the rear elevation view being a mirror image thereof;

FIG. 4 is a right side elevation view thereof;

FIG. 5 is a left side elevation view thereof;

FIG. 6 is a rear elevation view thereof;

FIG. 7 is a right, top, front perceptive view of a tub for bathing

FIG. 8 is a front elevation view thereof;

FIG. 9 is a right side elevation view thereof;

FIG. 10 is a left side elevation view thereof;

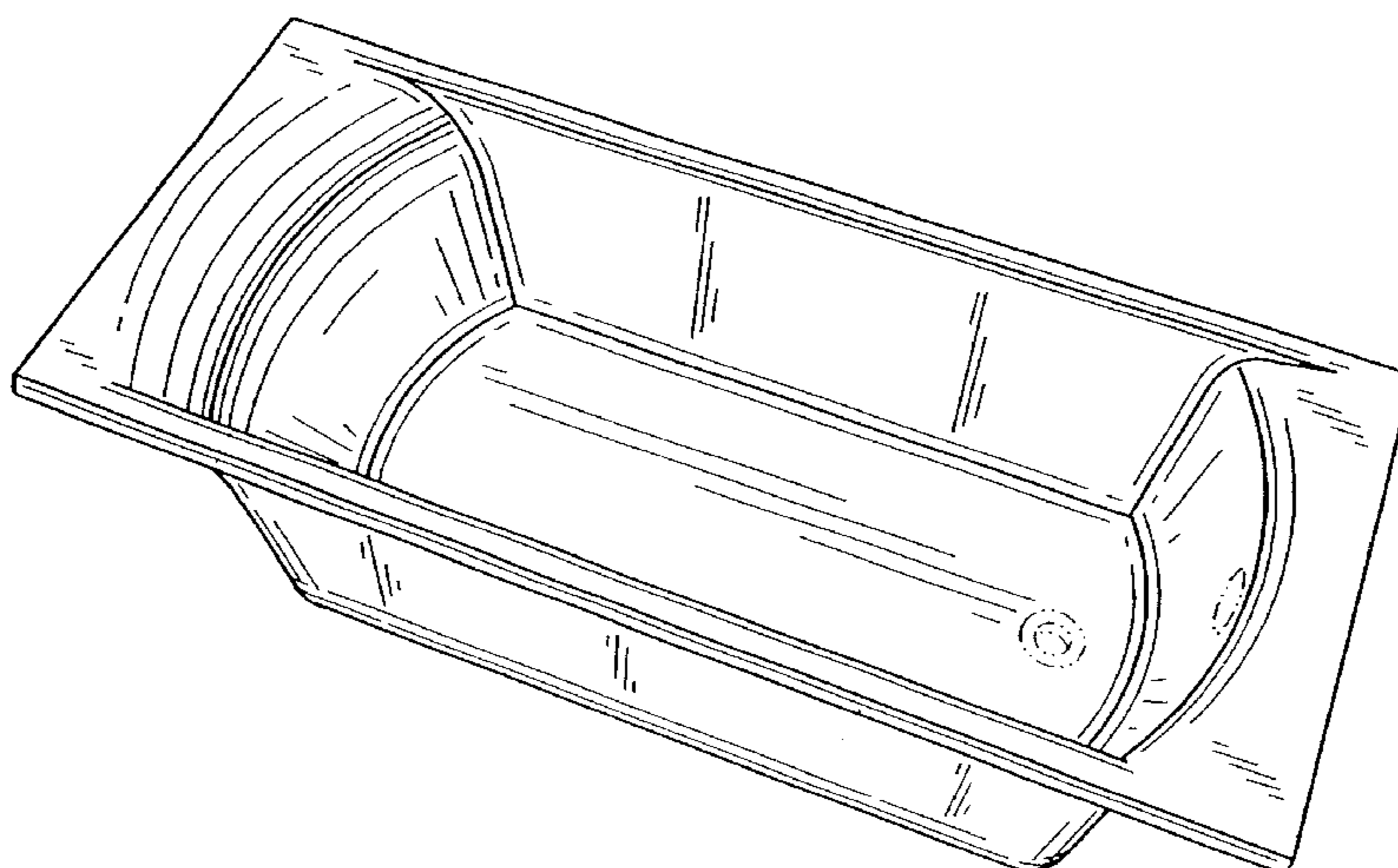
FIG. 11 is a rear elevation view thereof;

FIG. 12 is a right, top, front perceptive view of a tub for bathing according to another embodiment of my new design similar to the FIG. 1 embodiment but shown with additional environment; and,

FIG. 13 is a top plan view thereof.

The broken line showing of portions of the tub are for illustrative purposes and form no part of the claimed design.

1 Claim, 5 Drawing Sheets



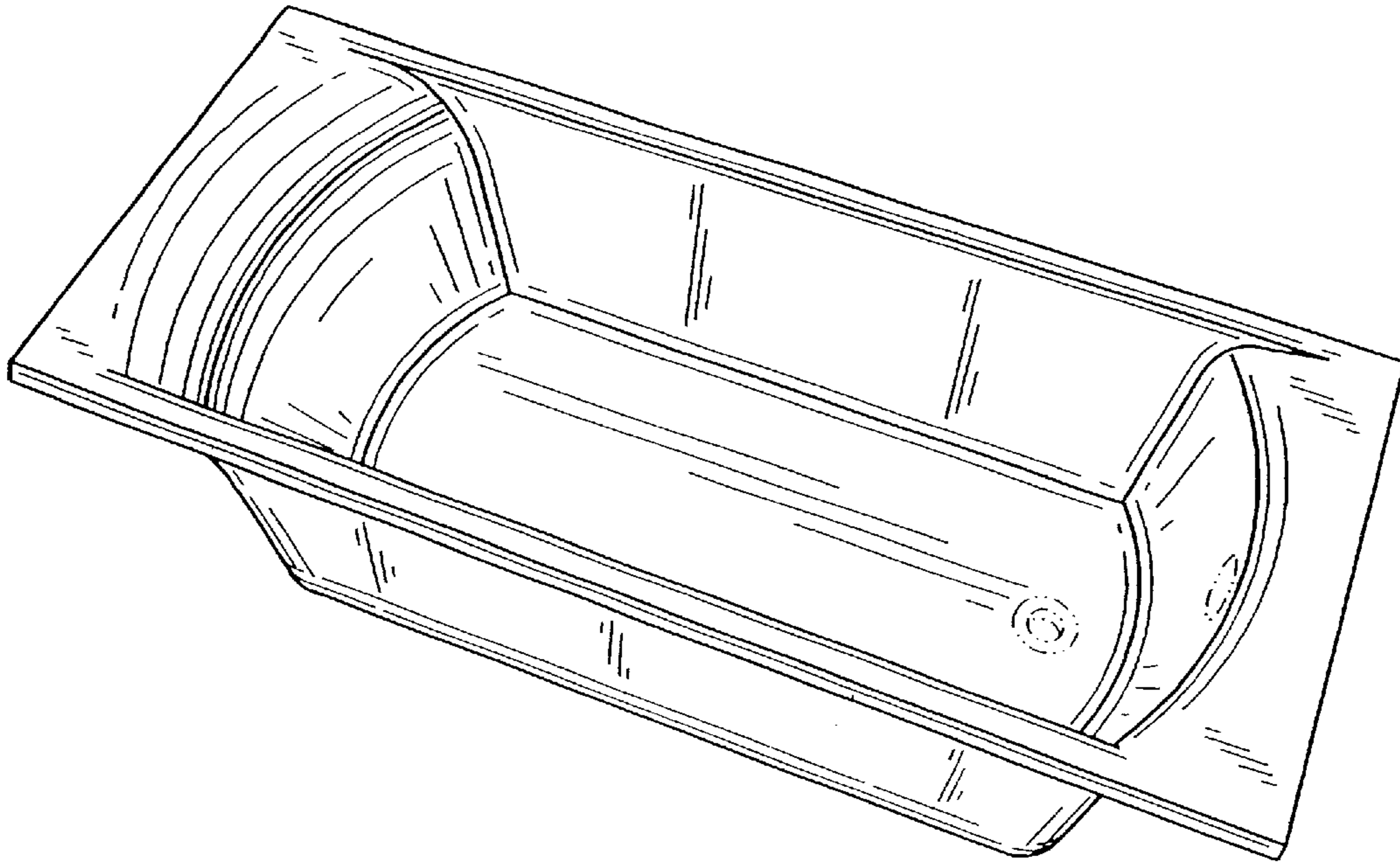


FIG. 1

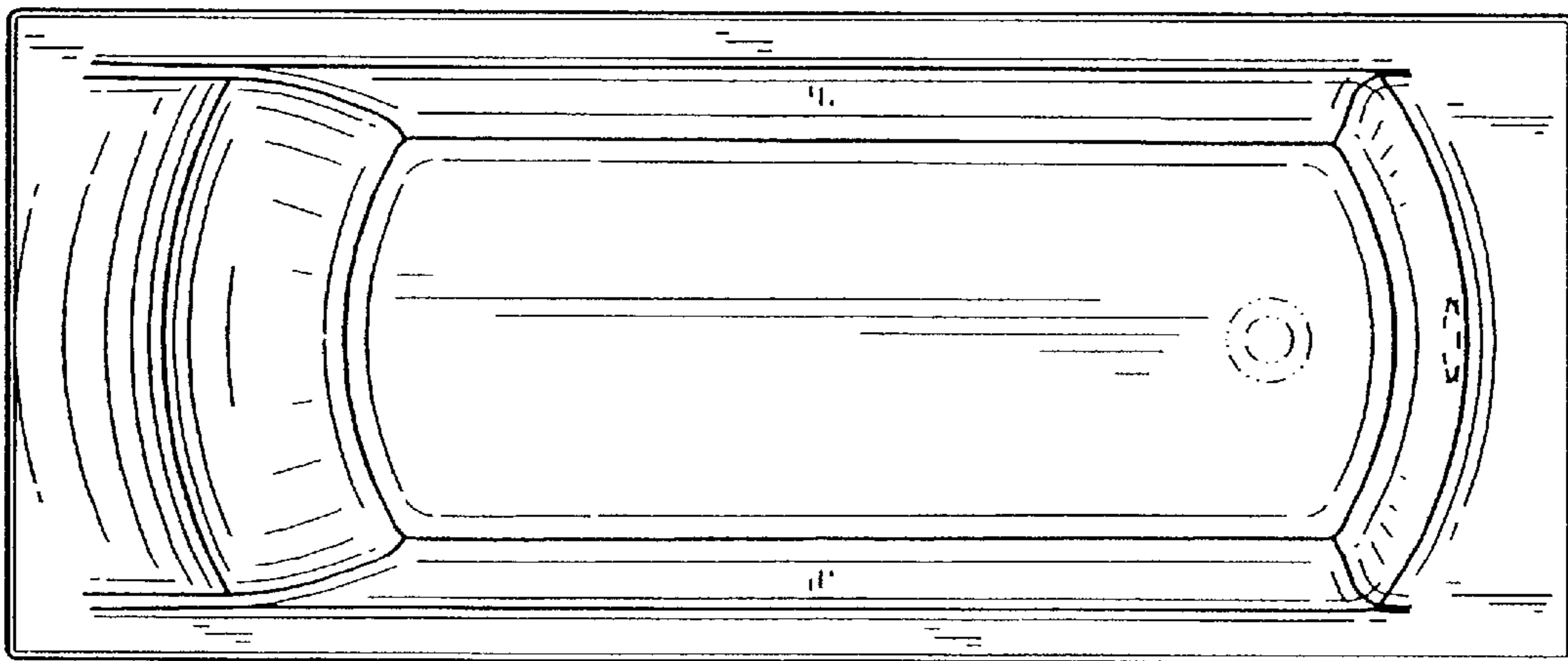


FIG. 2

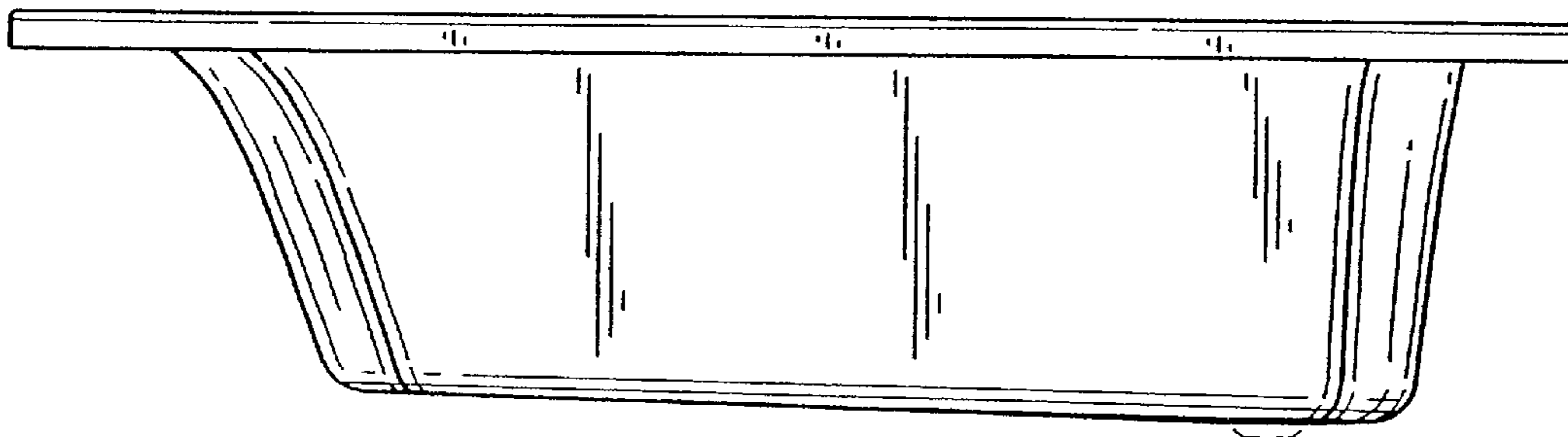


FIG. 3

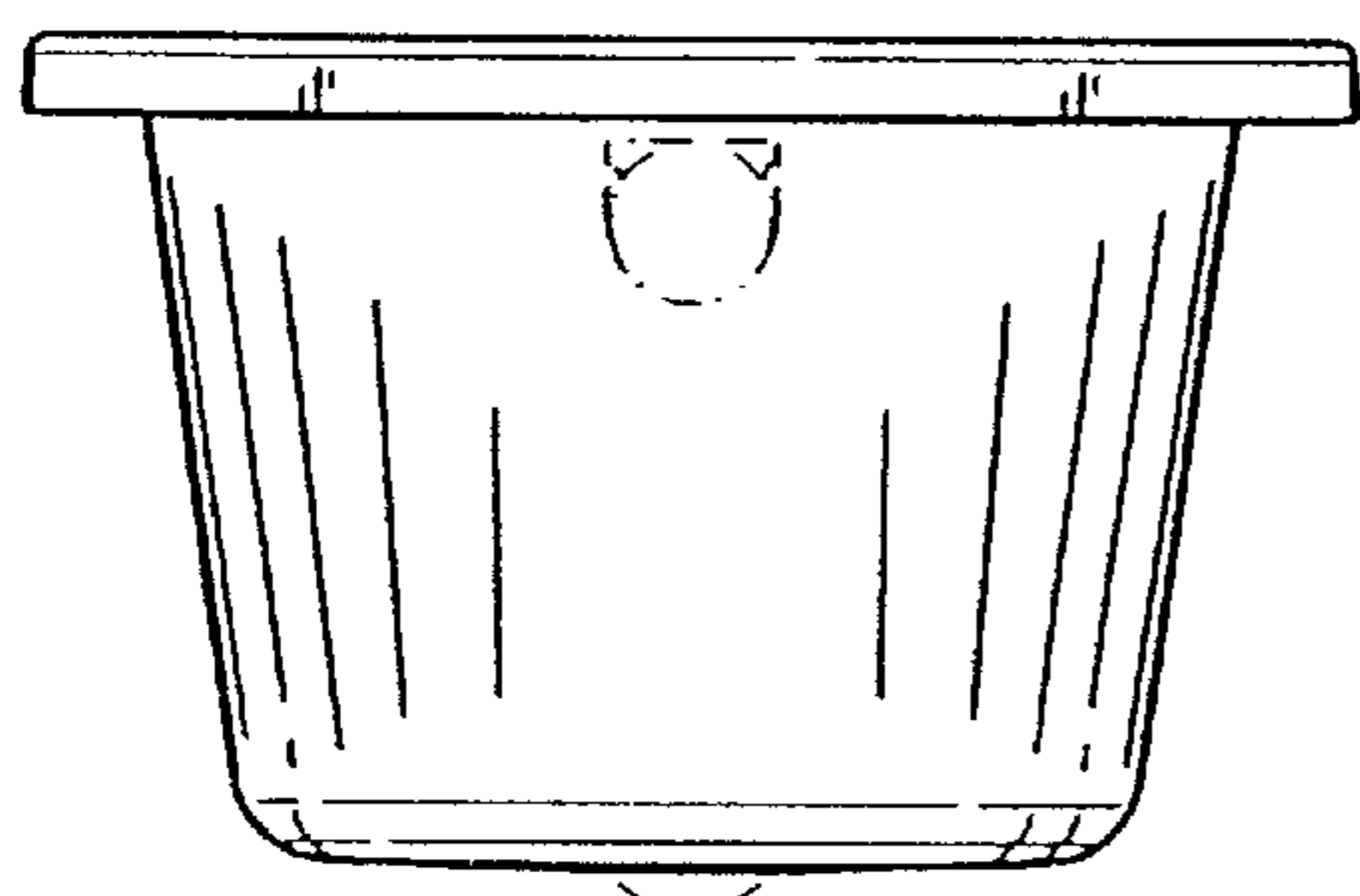


FIG. 4

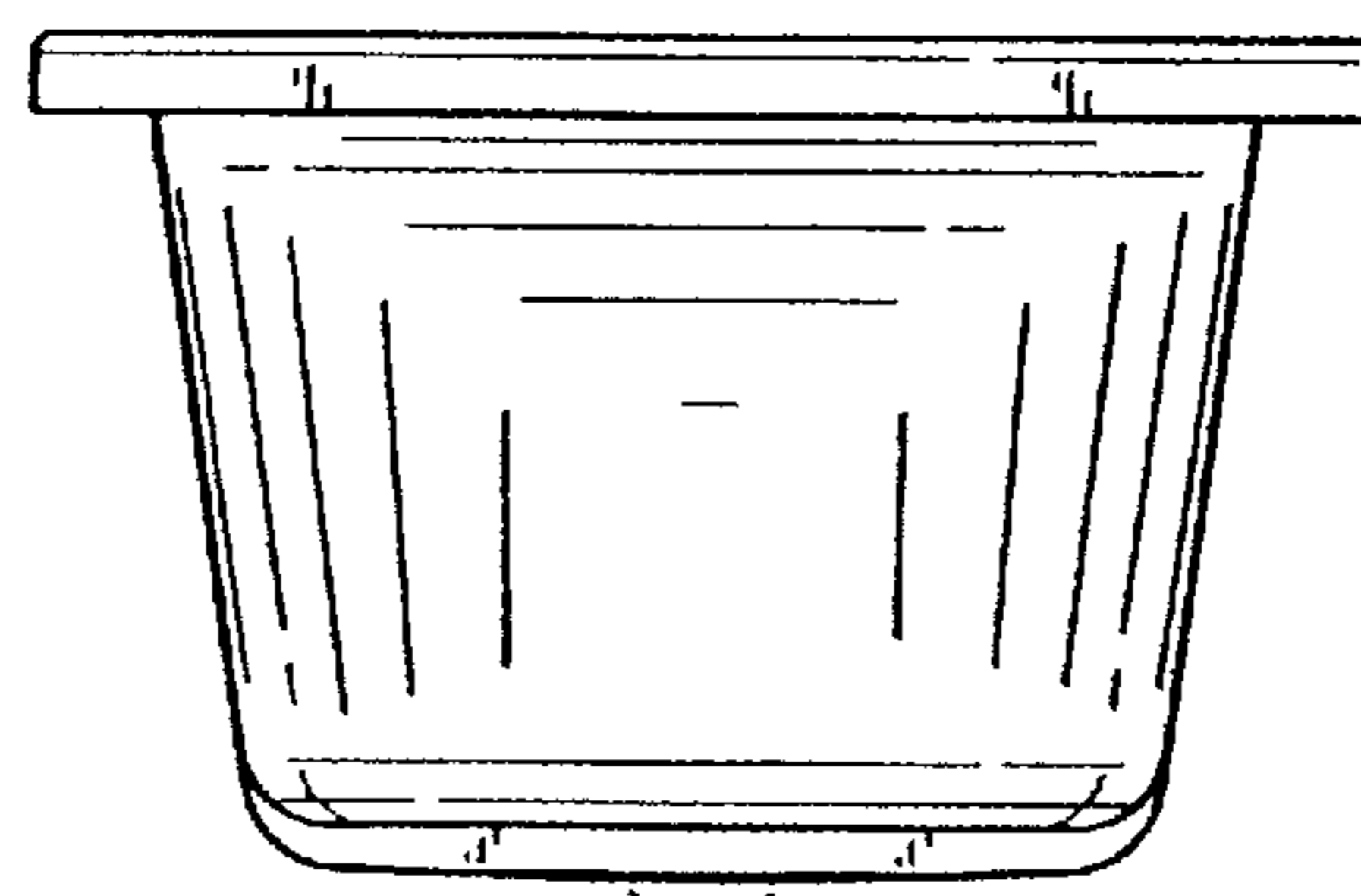


FIG. 5

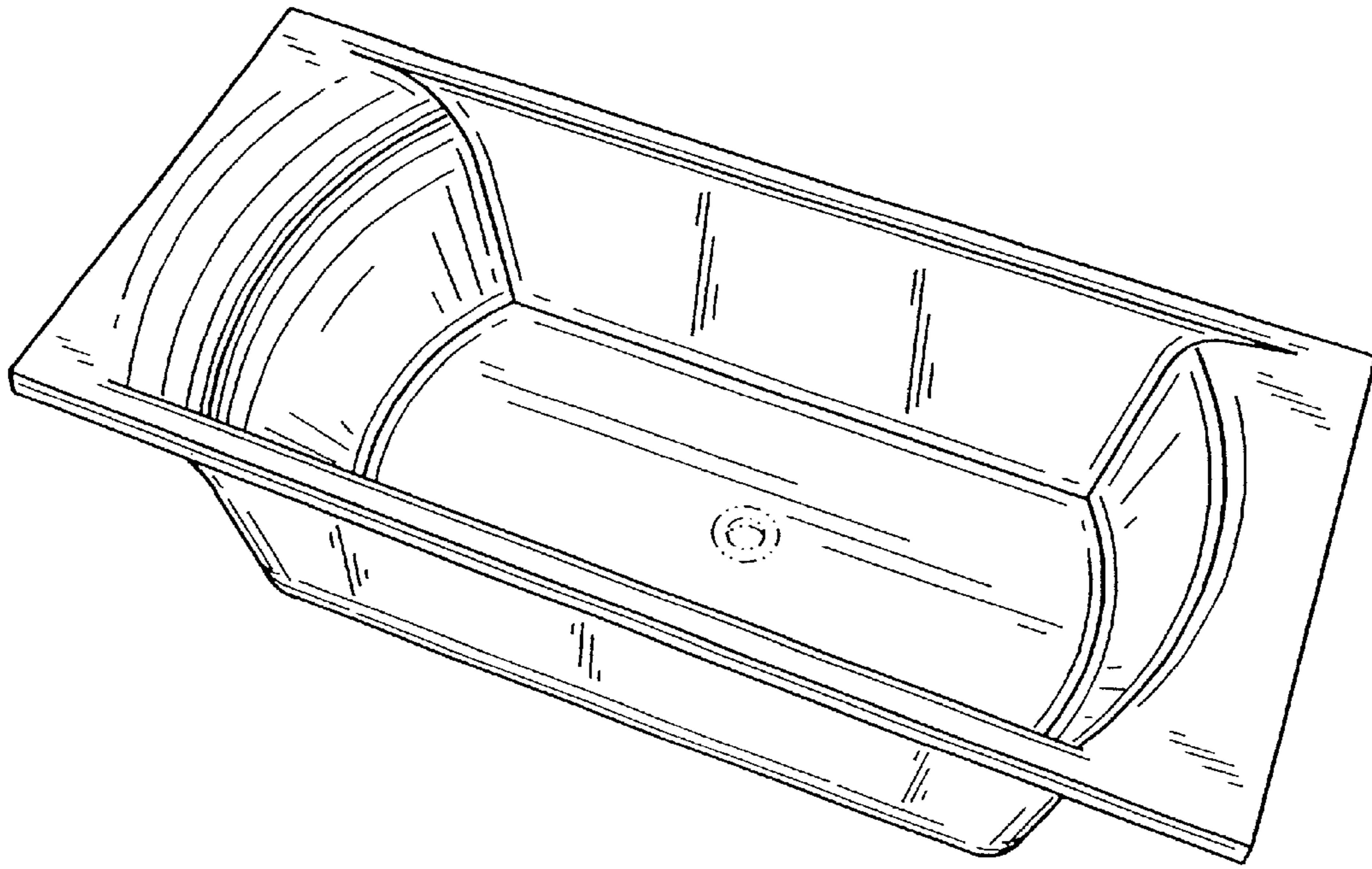


FIG. 6

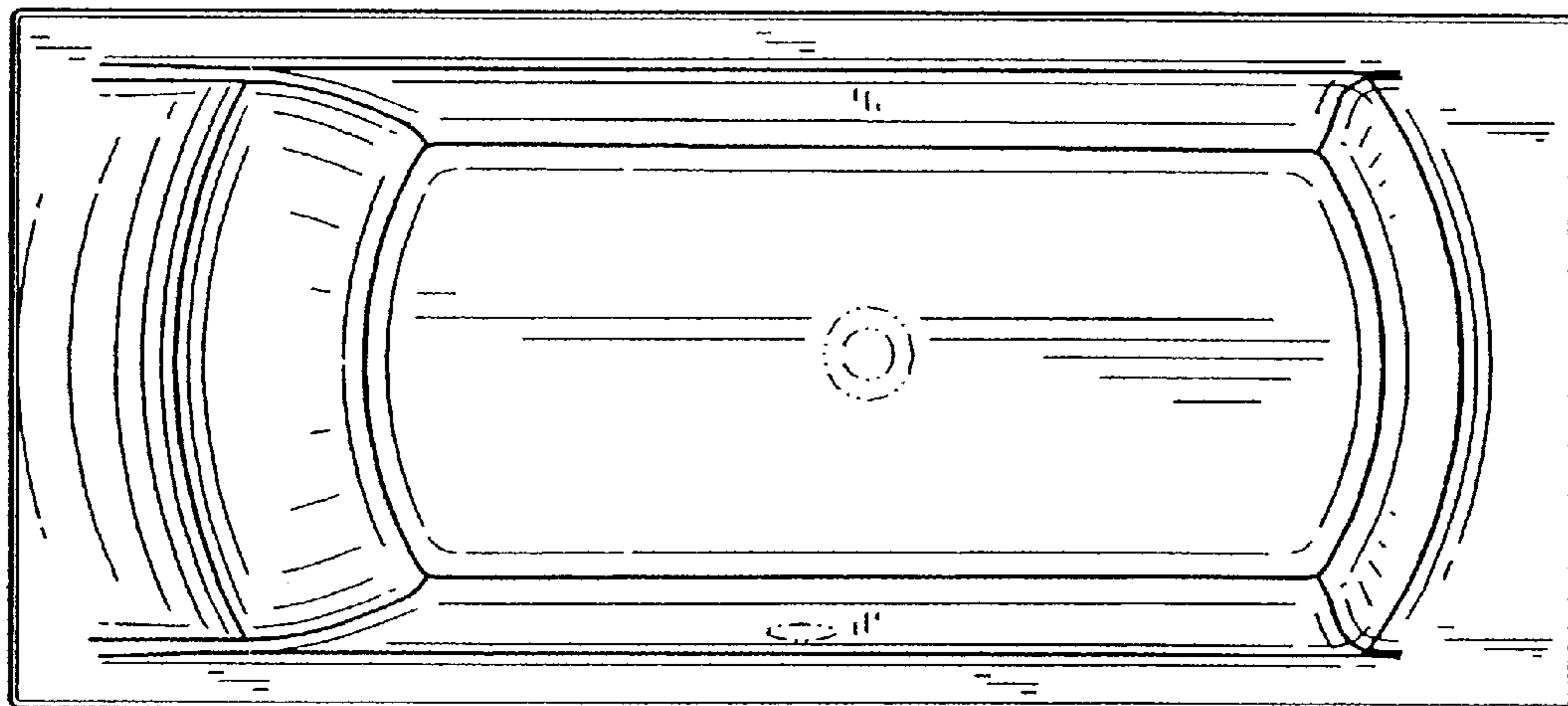


FIG. 7

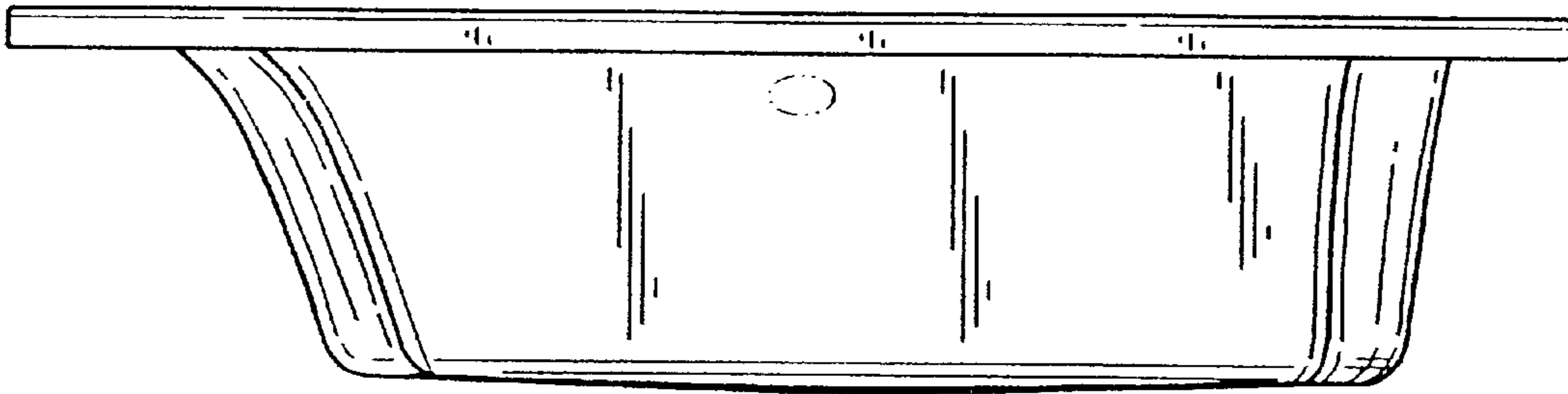


FIG. 8

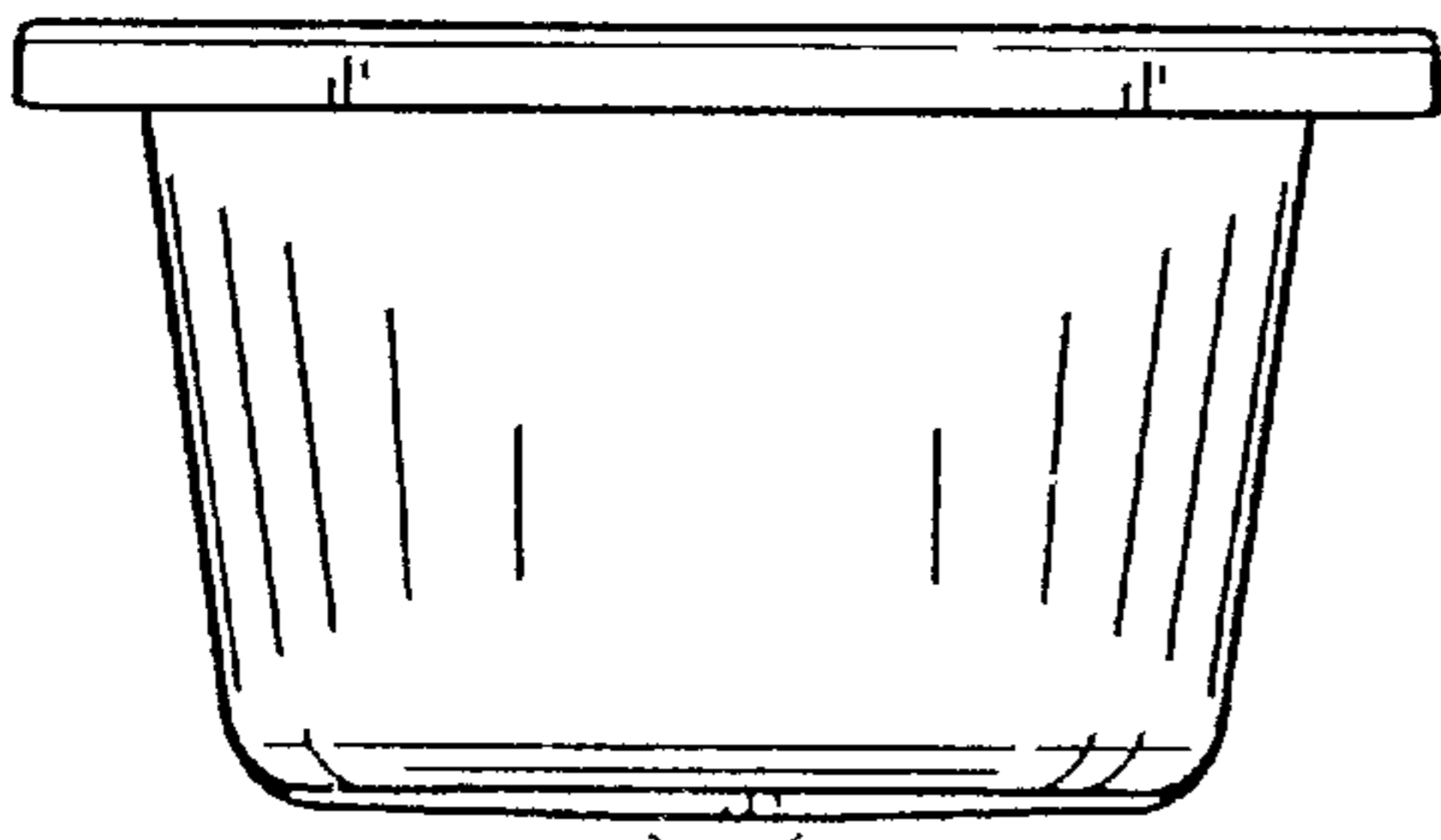


FIG. 9

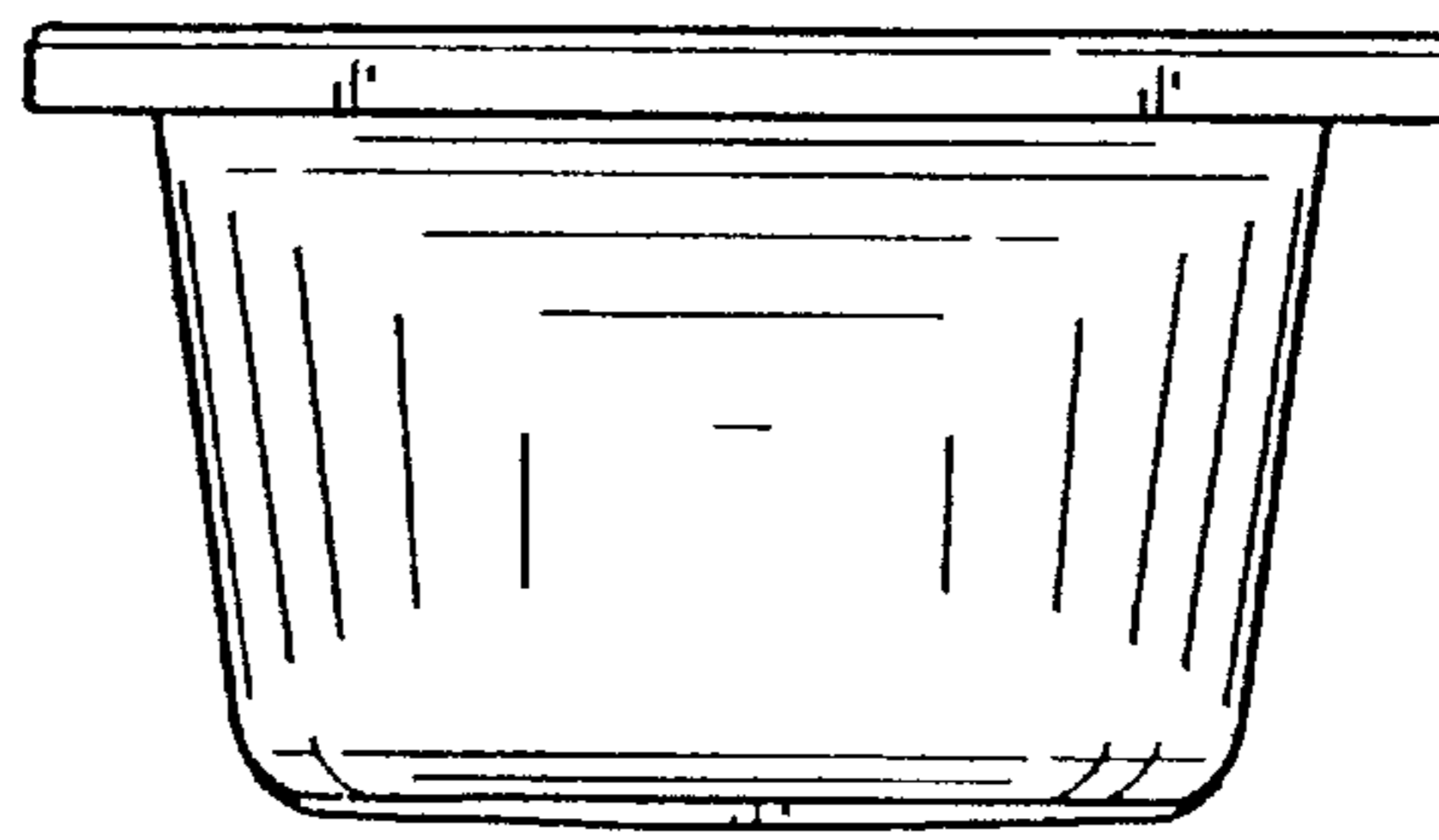


FIG. 10

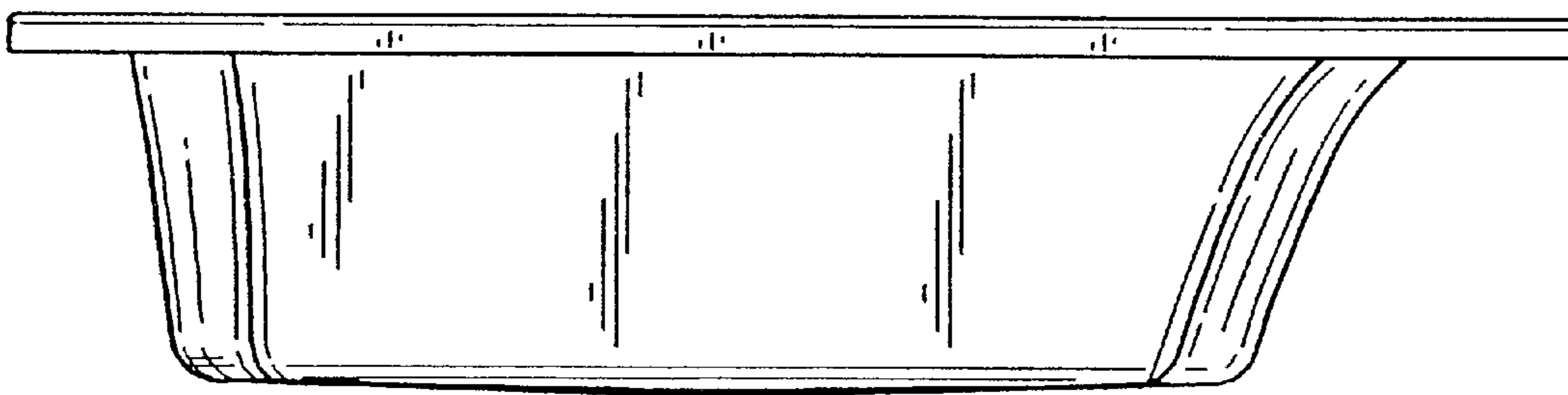


FIG. 11

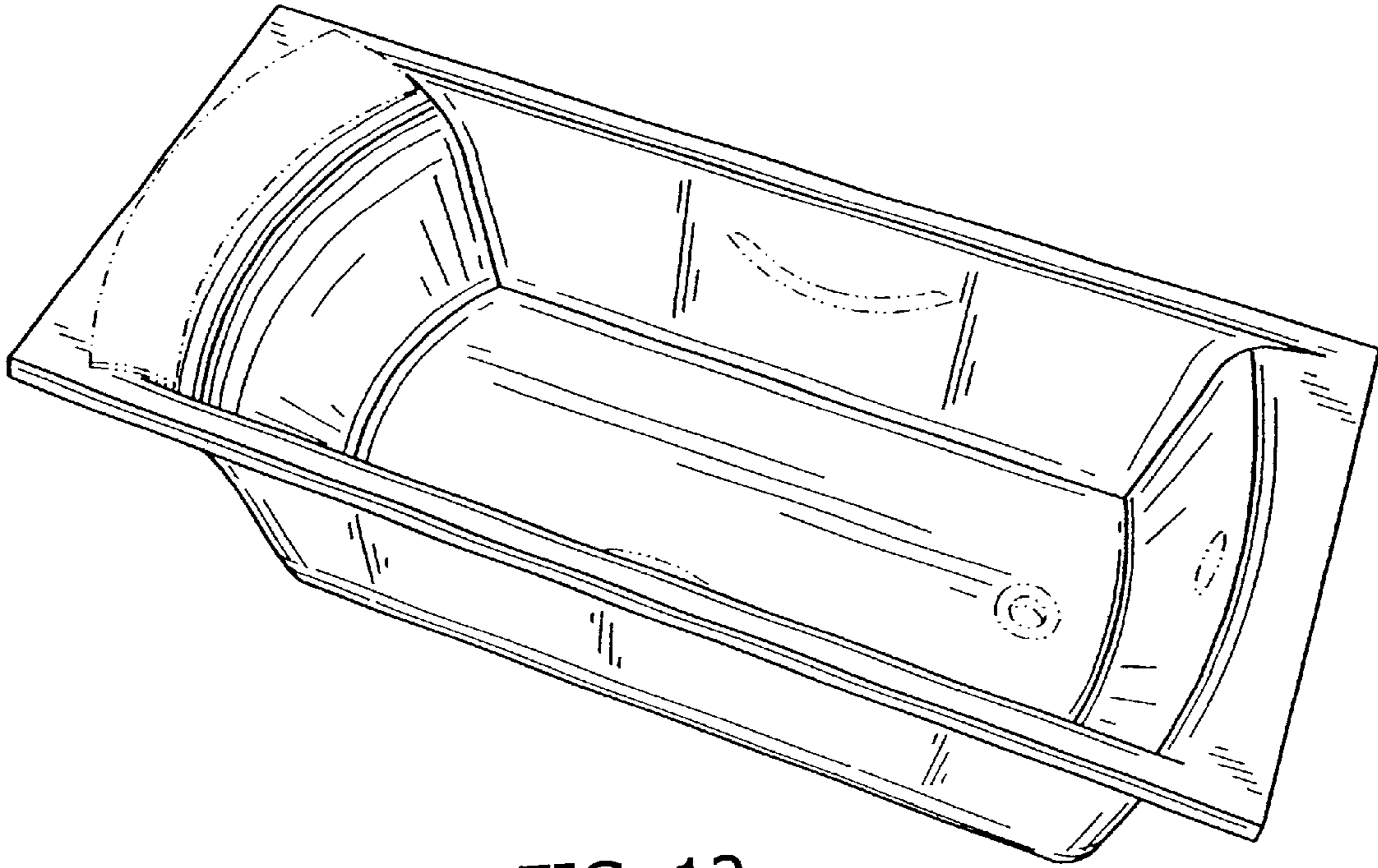


FIG. 12

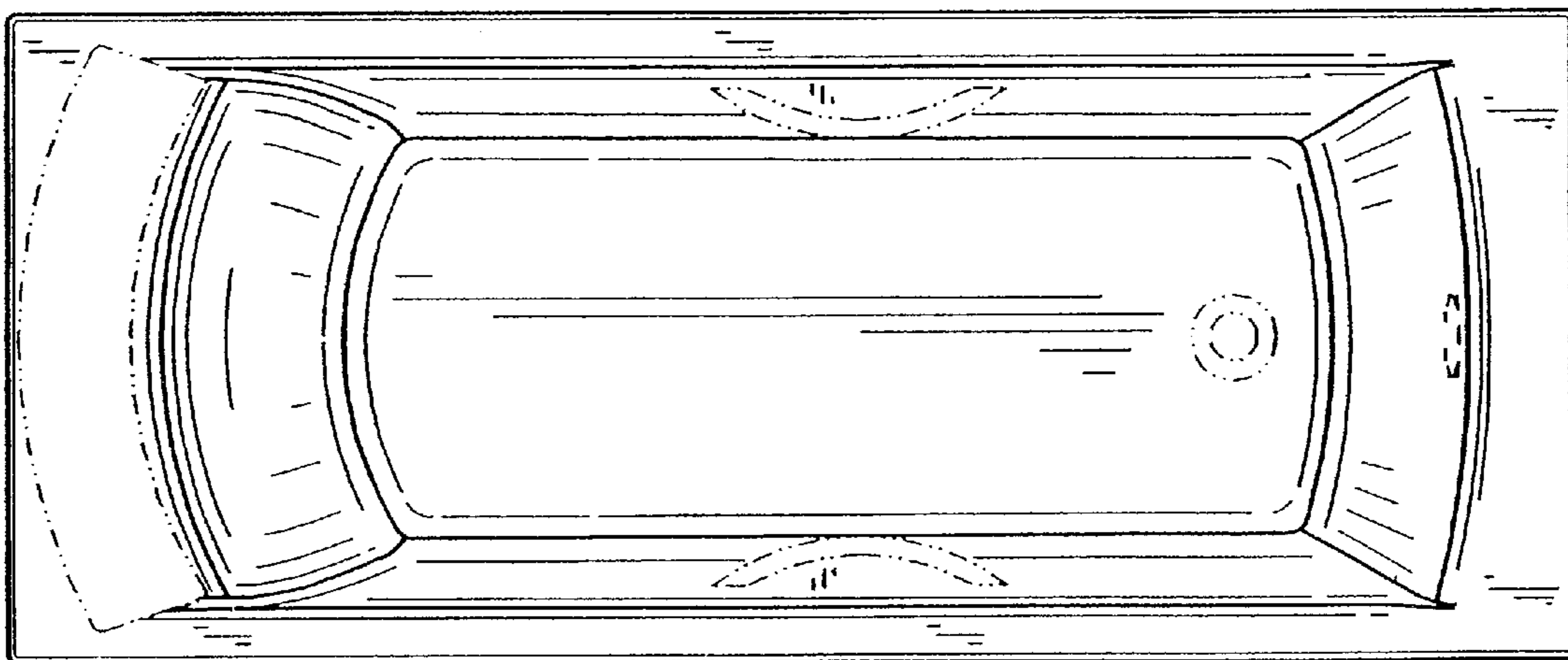


FIG. 13

UNITED STATES PATENT AND TRADEMARK OFFICE
CERTIFICATE OF CORRECTION

PATENT NO. : Des. 530,402 S
APPLICATION NO. : 29/220909
DATED : October 17, 2006
INVENTOR(S) : Jean-Hugues Soulier

Page 1 of 1

It is certified that error appears in the above-identified patent and that said Letters Patent is hereby corrected as shown below:

Title page, under Description,

“FIG. 6 is a rear elevation view thereof;” should be deleted.

“FIG. 7 is a right” should be --FIG. 6 is a right--.

Before “FIG. 8” the following should be inserted: --Fig. 7 is a top plan view thereof;--

Signed and Sealed this

Seventeenth Day of March, 2009



JOHN DOLL
Acting Director of the United States Patent and Trademark Office