



US00D530401S

(12) **United States Design Patent**
Licini

(10) **Patent No.:** **US D530,401 S**

(45) **Date of Patent:** **** Oct. 17, 2006**

(54) **TUB FOR BATHING**

(75) Inventor: **Frederic Licini**, Lacelle St. Cloud (FR)

(73) Assignee: **Kohler France SAS**, Paris (FR)

(**) Term: **14 Years**

(21) Appl. No.: **29/220,908**

(22) Filed: **Jan. 7, 2005**

(51) **LOC (8) Cl.** **23-02**

(52) **U.S. Cl.** **D23/277**

(58) **Field of Classification Search** D23/273,
D23/276-277, 280.1-280.3, 303-305; 4/538,
4/584; D24/204-205

See application file for complete search history.

(56) **References Cited**

U.S. PATENT DOCUMENTS

- D253,124 S * 10/1979 Primault D23/277
- D285,110 S * 8/1986 Burgess et al. D23/280.2
- D378,937 S * 4/1997 Formgren D23/280.1
- D510,983 S * 10/2005 Kergoet D23/277

OTHER PUBLICATIONS

- Nova Milanese, corner tub.
- Jacob Delafon, Syrta, corner tub.
- Bette corner catalog, p. 24, Sovereign Living Style.
- American Standard website page, Scala Corner Whirlpool, dated Dec. 28, 2004.

* cited by examiner

Primary Examiner—Robert A. Delehanty
(74) *Attorney, Agent, or Firm*—Quarles & Brady LLP

(57) **CLAIM**

The ornamental design for a tub for bathing, as shown and described.

DESCRIPTION

In a preferred embodiment, the nature of this product is as a plumbing fixture in the form of a bathing tub primary useful for washing the human body.

FIG. 1 is a top plan view of a bathtub showing our new design;

FIG. 2 is a right, top, front perspective view thereof;

FIG. 3 is a front elevation view thereof;

FIG. 4 is a right side elevation view thereof;

FIG. 5 is a left side elevation view thereof;

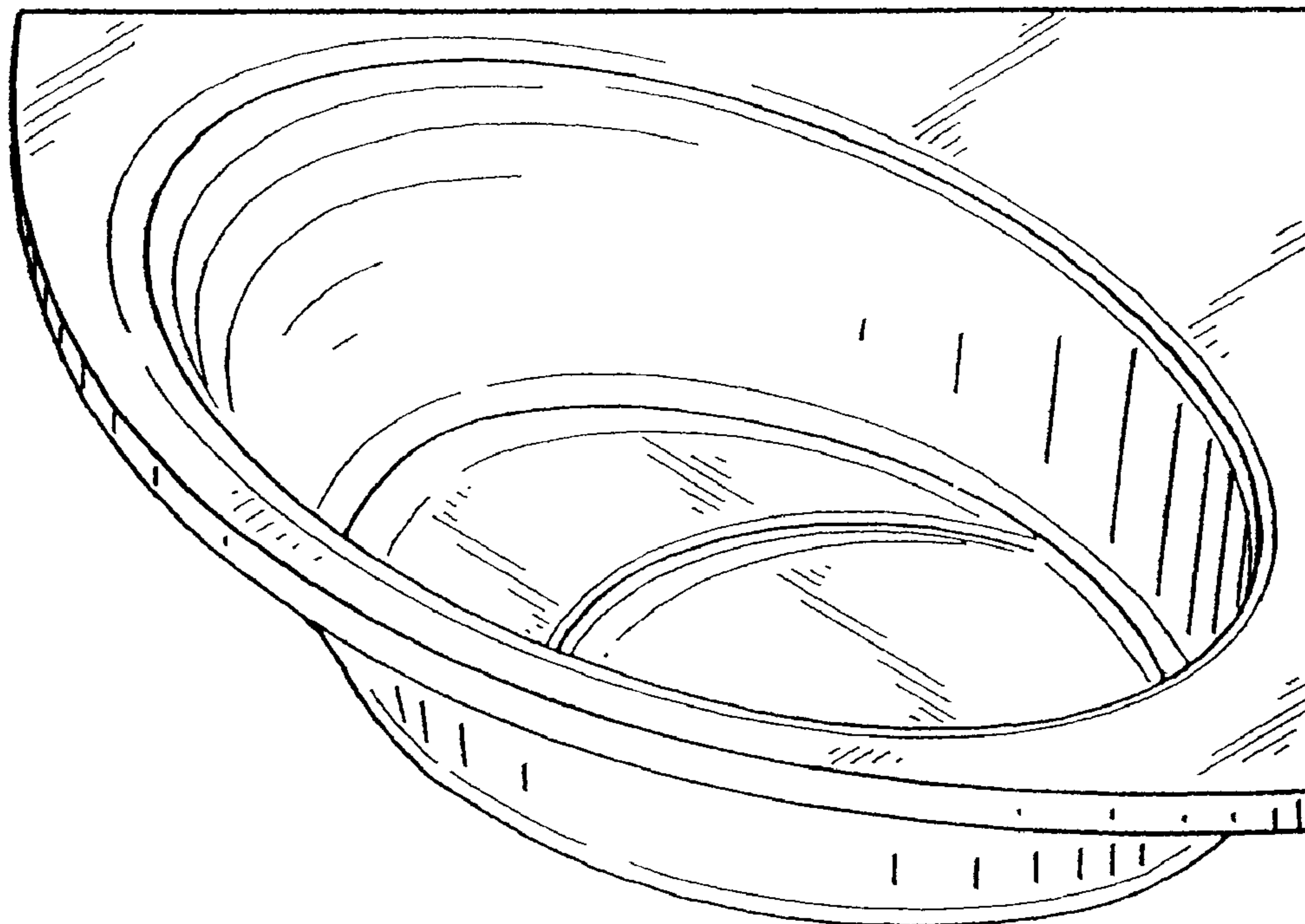
FIG. 6 is a rear elevation view thereof; and

FIG. 7 is a bottom plan view thereof; and,

FIG. 8 is a top plan view of a second embodiment, it being understood the remaining views are mirror images of FIGS. 1-7.

The broken line representations of a drain and an overflow/control are for the purpose of illustration only, and form no part of the claimed design.

1 Claim, 4 Drawing Sheets



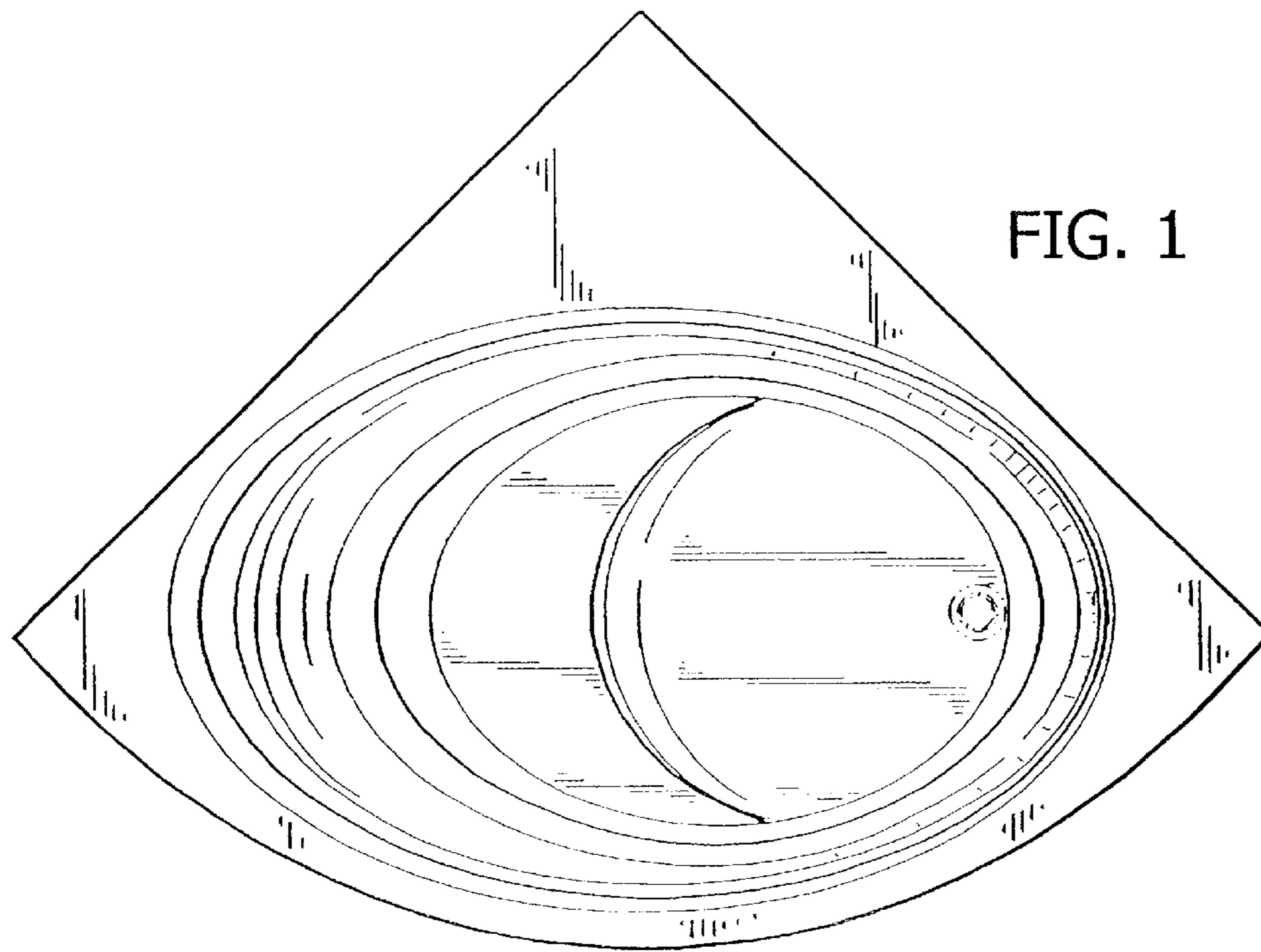


FIG. 1

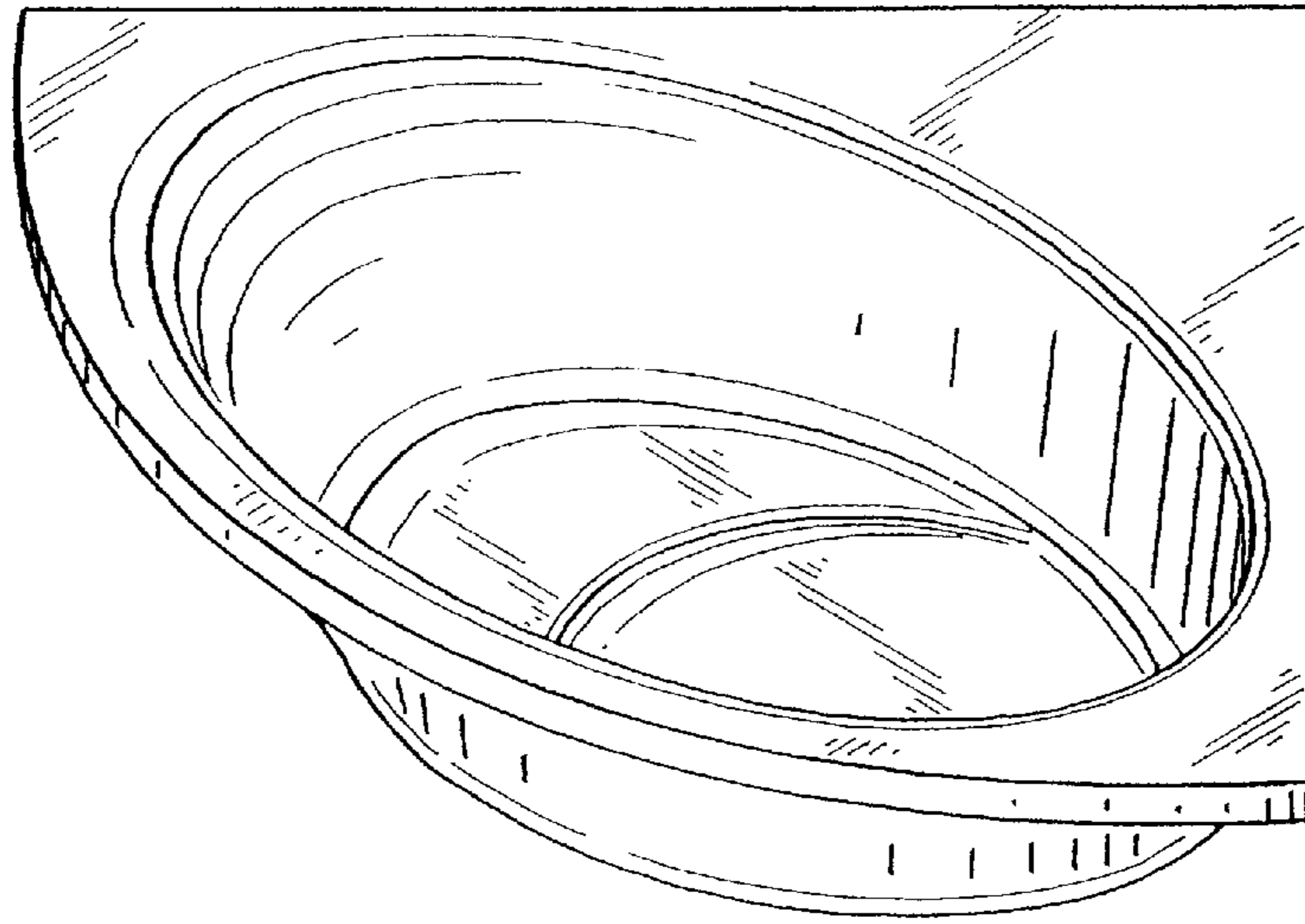


FIG. 2

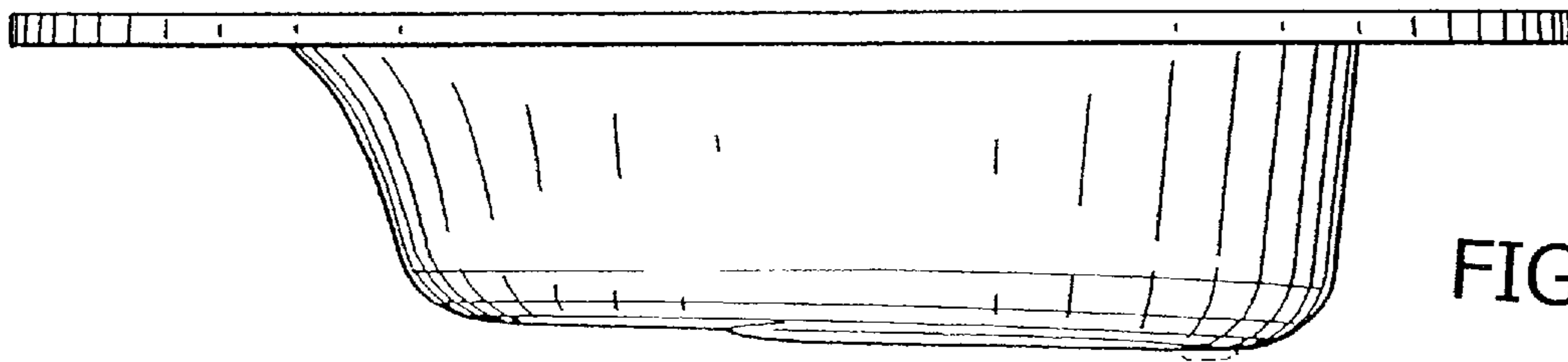


FIG. 3

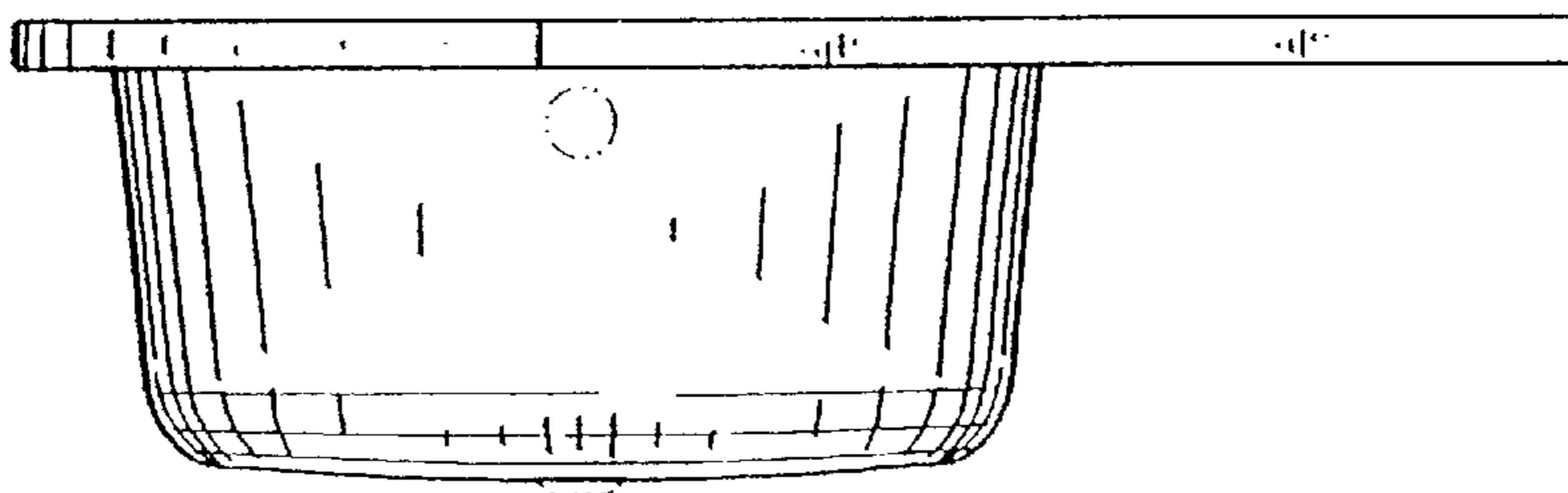


FIG. 4

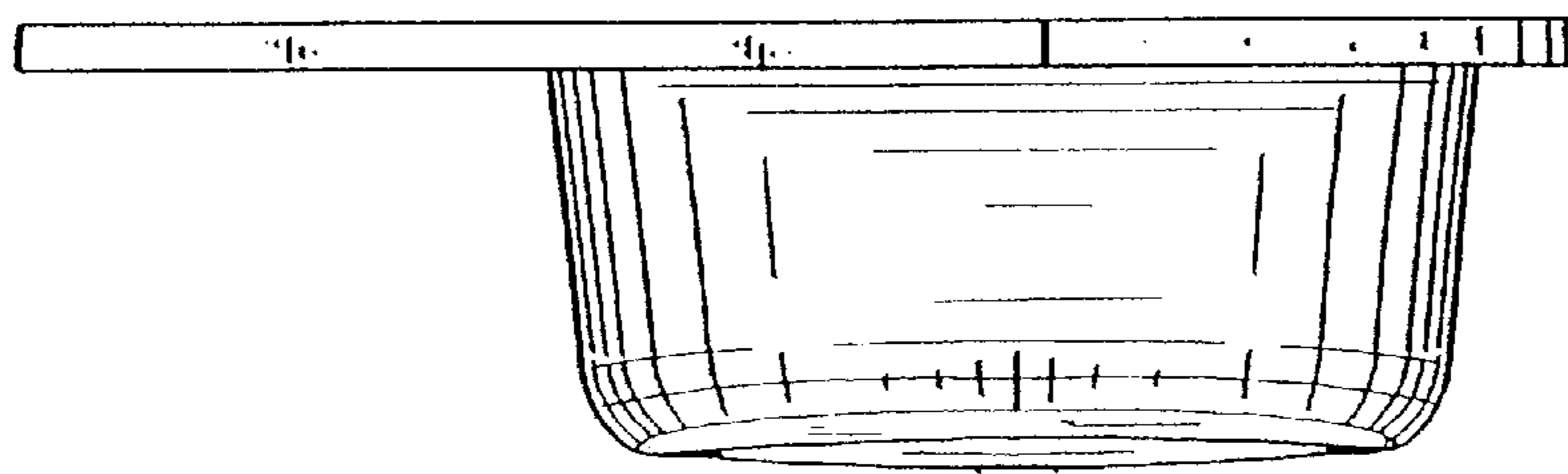


FIG. 5

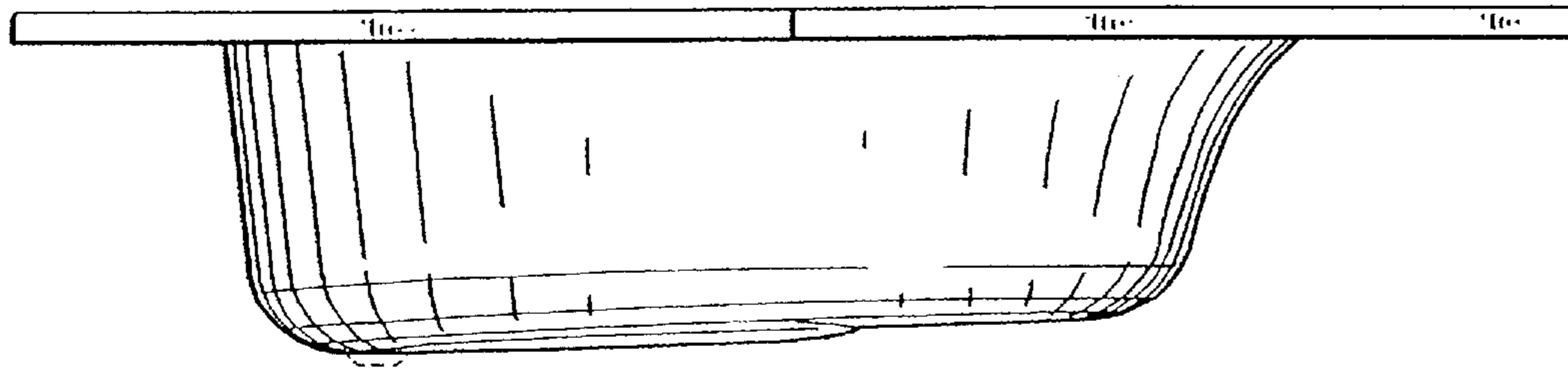


FIG. 6

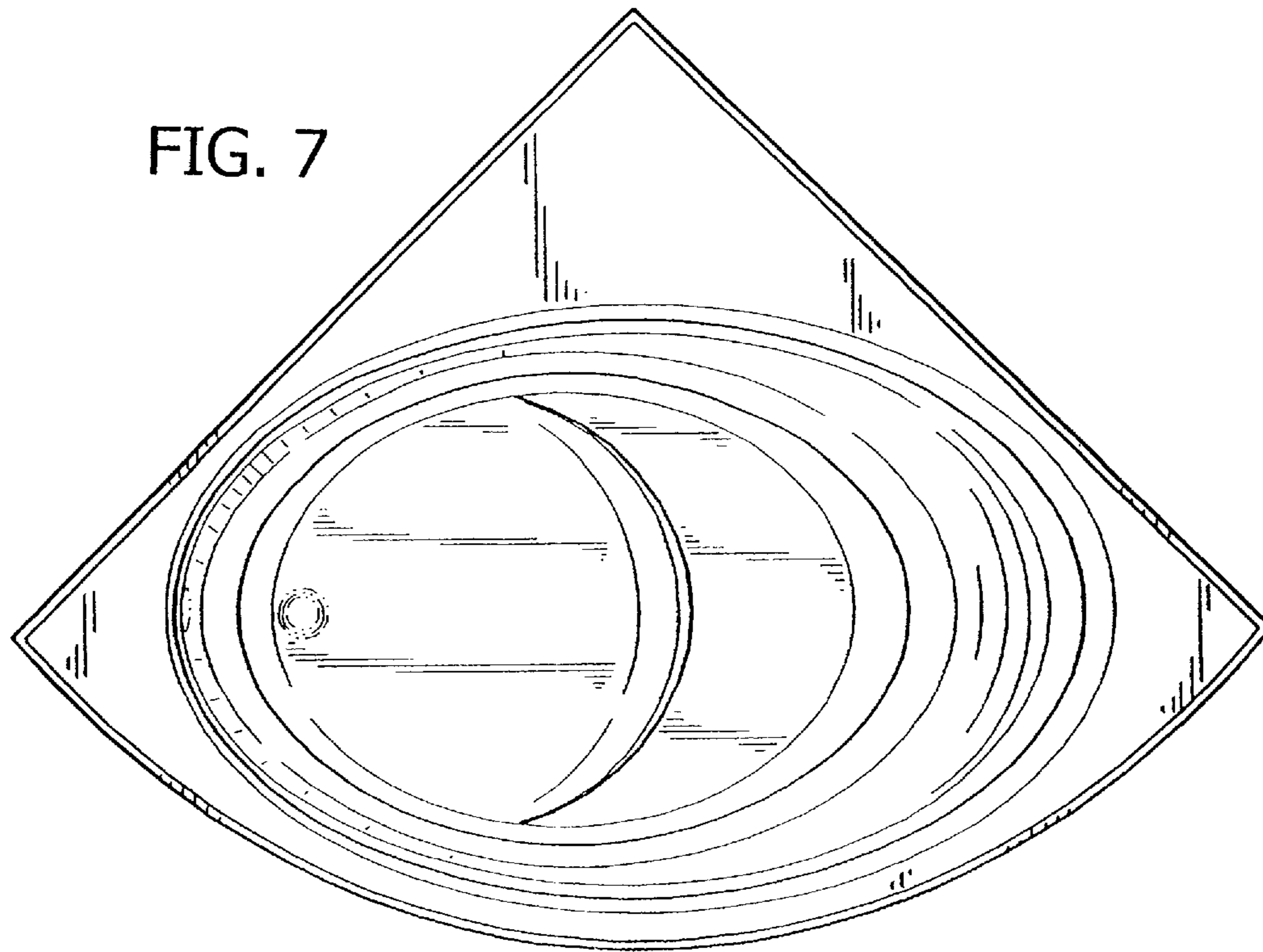


FIG. 7

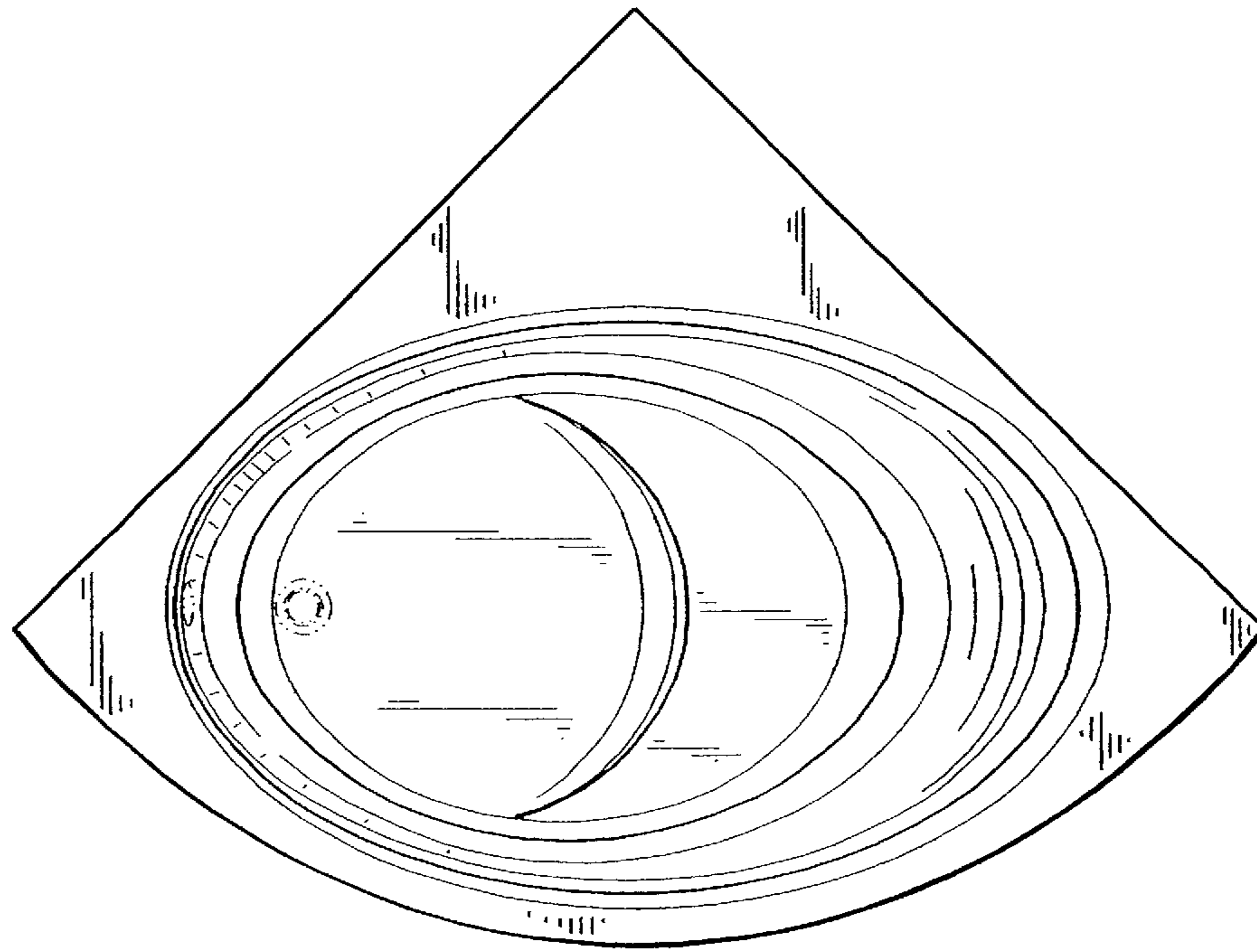


FIG. 8