



US00D530400S

(12) **United States Design Patent**
Østergaard et al.

(10) **Patent No.:** **US D530,400 S**

(45) **Date of Patent:** **** Oct. 17, 2006**

(54) **SEAL**

(75) Inventors: **Inge Østergaard**, Heggedal (NO); **Erik Raad**, Oslo (NO); **Staale Svindland**, Oslo (NO)

(73) Assignee: **Vetco Aibel AS**, Billingstad (NO)

(**) Term: **14 Years**

(21) Appl. No.: **29/245,179**

(22) Filed: **Dec. 21, 2005**

Related U.S. Application Data

(62) Division of application No. 29/208,840, filed on Jul. 7, 2004, now Pat. No. Des. 518,559.

(51) **LOC (8) Cl.** **23-04**

(52) **U.S. Cl.** **D23/262; D23/269**

(58) **Field of Classification Search** D23/262, D23/259, 269; 251/149.6; 285/369, 417
See application file for complete search history.

(56) **References Cited**

U.S. PATENT DOCUMENTS

4,192,532 A	*	3/1980	Pacella	285/248
D399,932 S	*	10/1998	Heathcote	D23/269
D475,770 S	*	6/2003	Walker	D23/262
D482,761 S	*	11/2003	Gotoh et al.	D23/262

* cited by examiner

Primary Examiner—Robin Webster

(74) *Attorney, Agent, or Firm*—Venable LLP; Eric J. Franklin

(57) **CLAIM**

The ornamental design for a seal, as shown and described.

DESCRIPTION

FIG. 1 represents a perspective view of an embodiment of a seal showing our new design;

FIG. 2 represents a right side view of the design shown in FIG. 1;

FIG. 3 represents a top view of the design shown in FIG. 1; FIG. 4 represents a cross-sectional view of the design shown in FIG. 3 along the line 4, illustrating the interior contour of the design;

FIG. 5 represents a left side view of the design shown in FIG. 1;

FIG. 6 is a perspective view of another embodiment thereof the only difference being a poppet inserted therein;

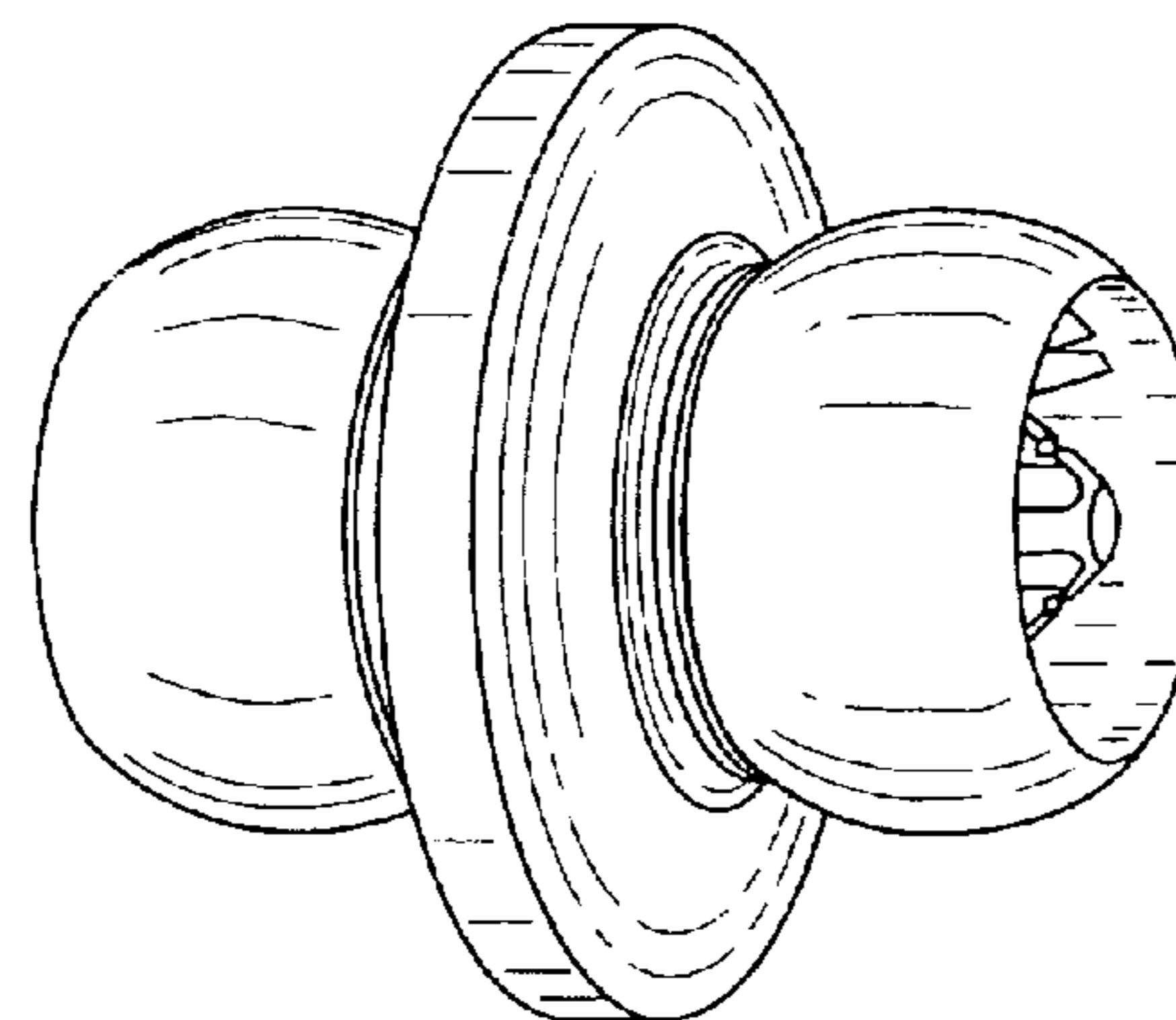
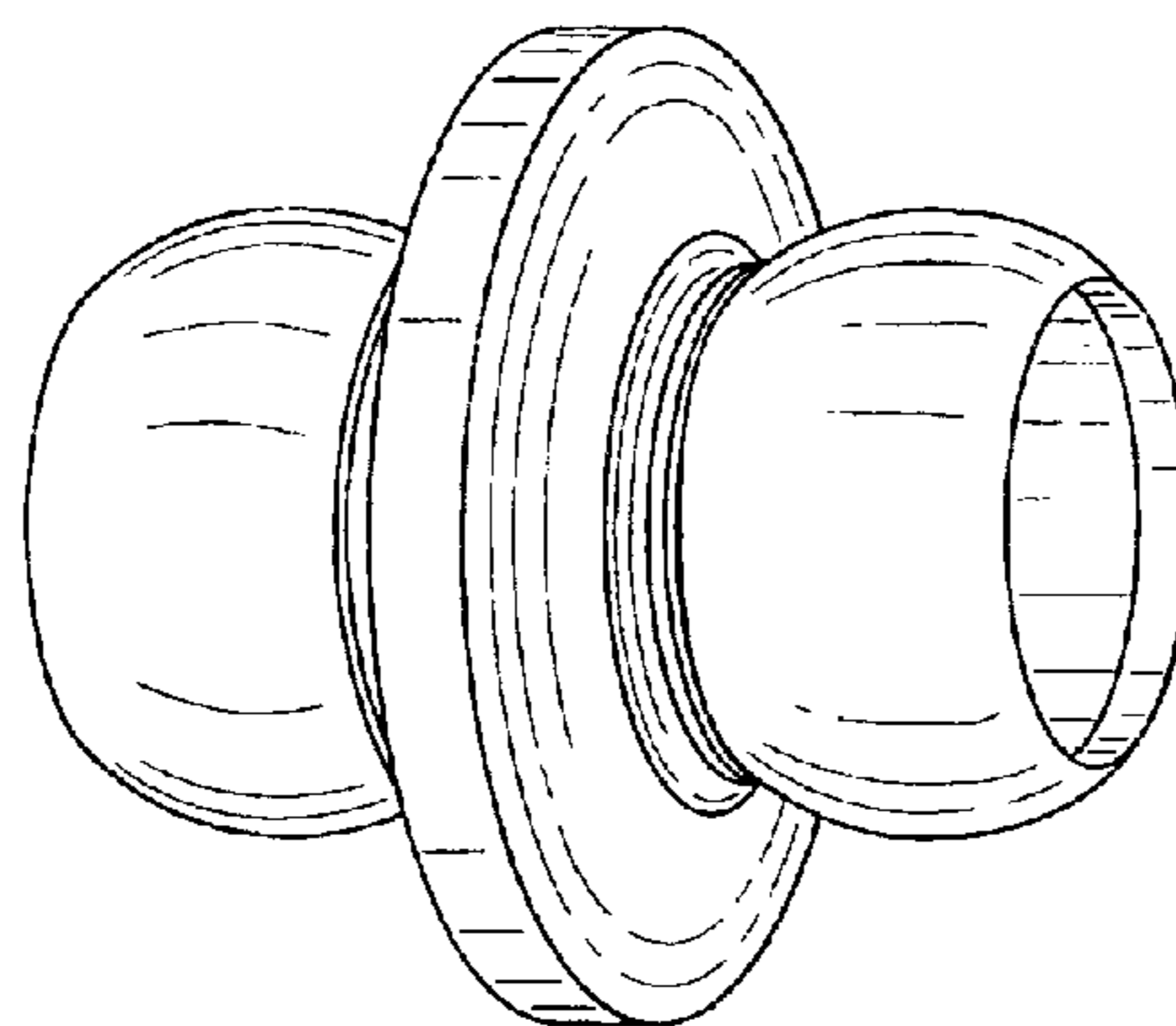
FIG. 7 represents a right side view of the designs shown in FIG. 6;

FIG. 8 represents a top view of the designs shown in FIG. 6;

FIG. 9 represents a cross-sectional view of the designs shown in FIG. 8 along the line 9, illustrating the interior contour of the designs; and,

FIG. 10 represents a left side view of the designs shown in FIG. 6.

1 Claim, 4 Drawing Sheets



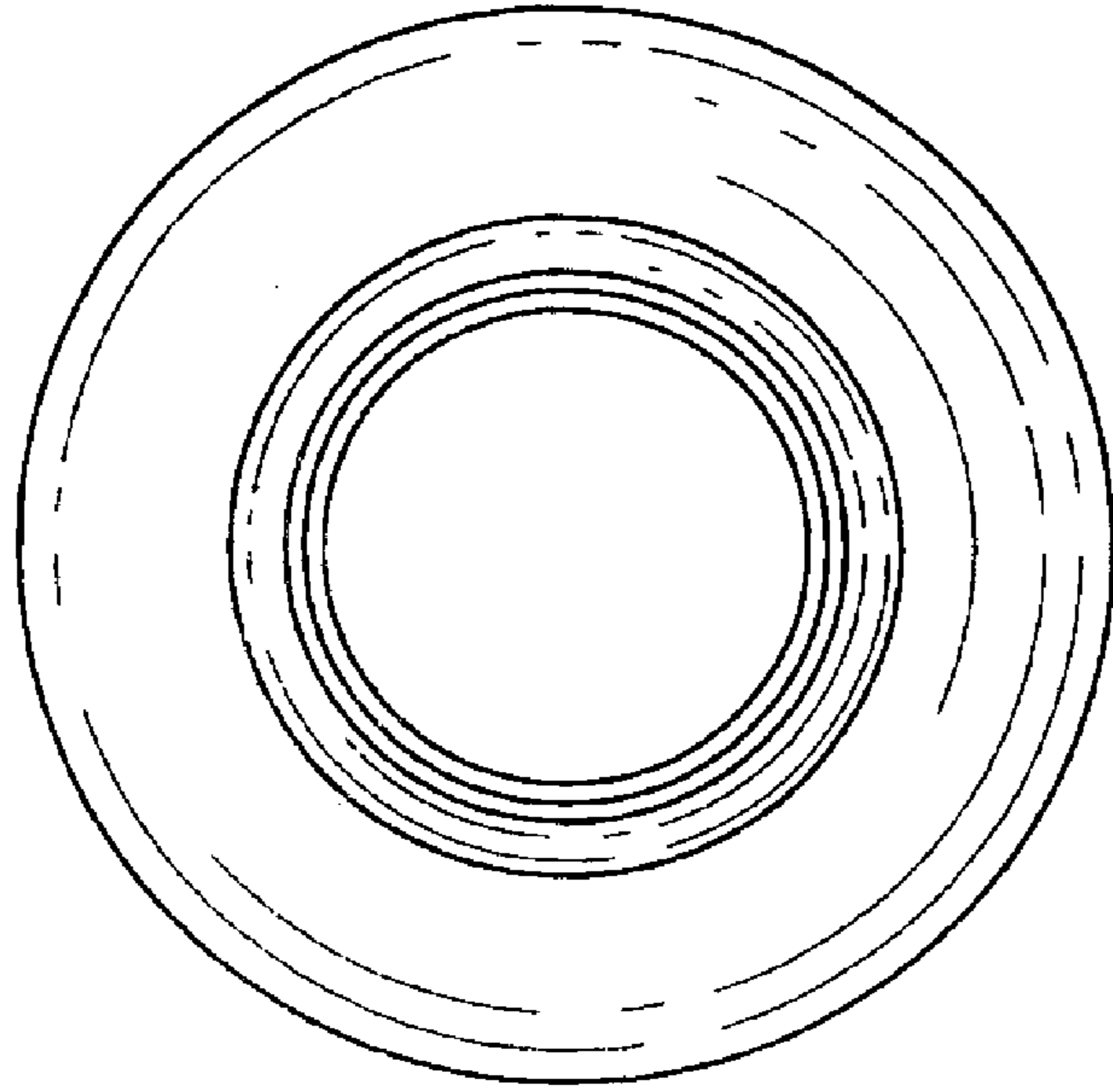


FIG. 2

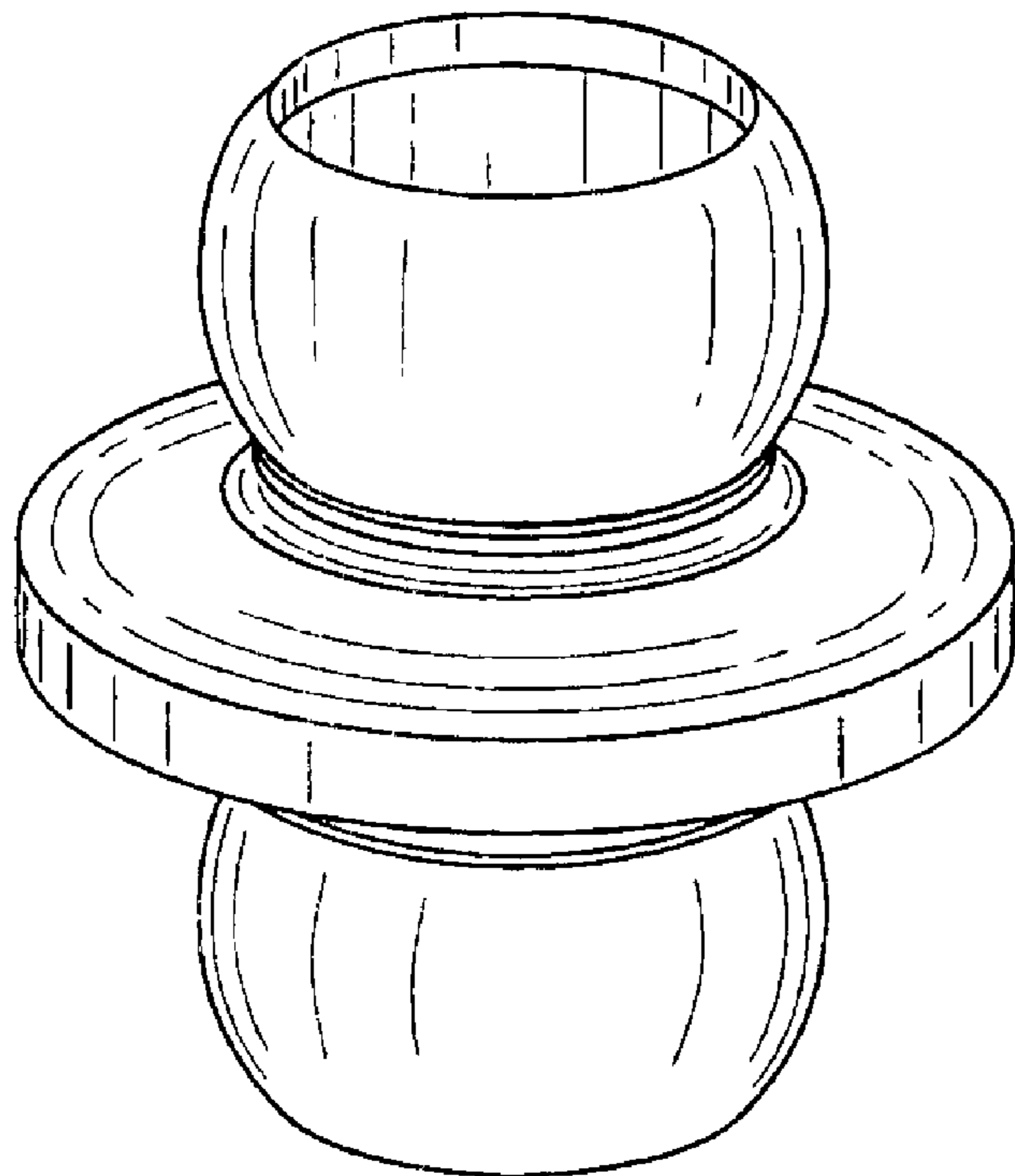


FIG. 1

FIG. 4

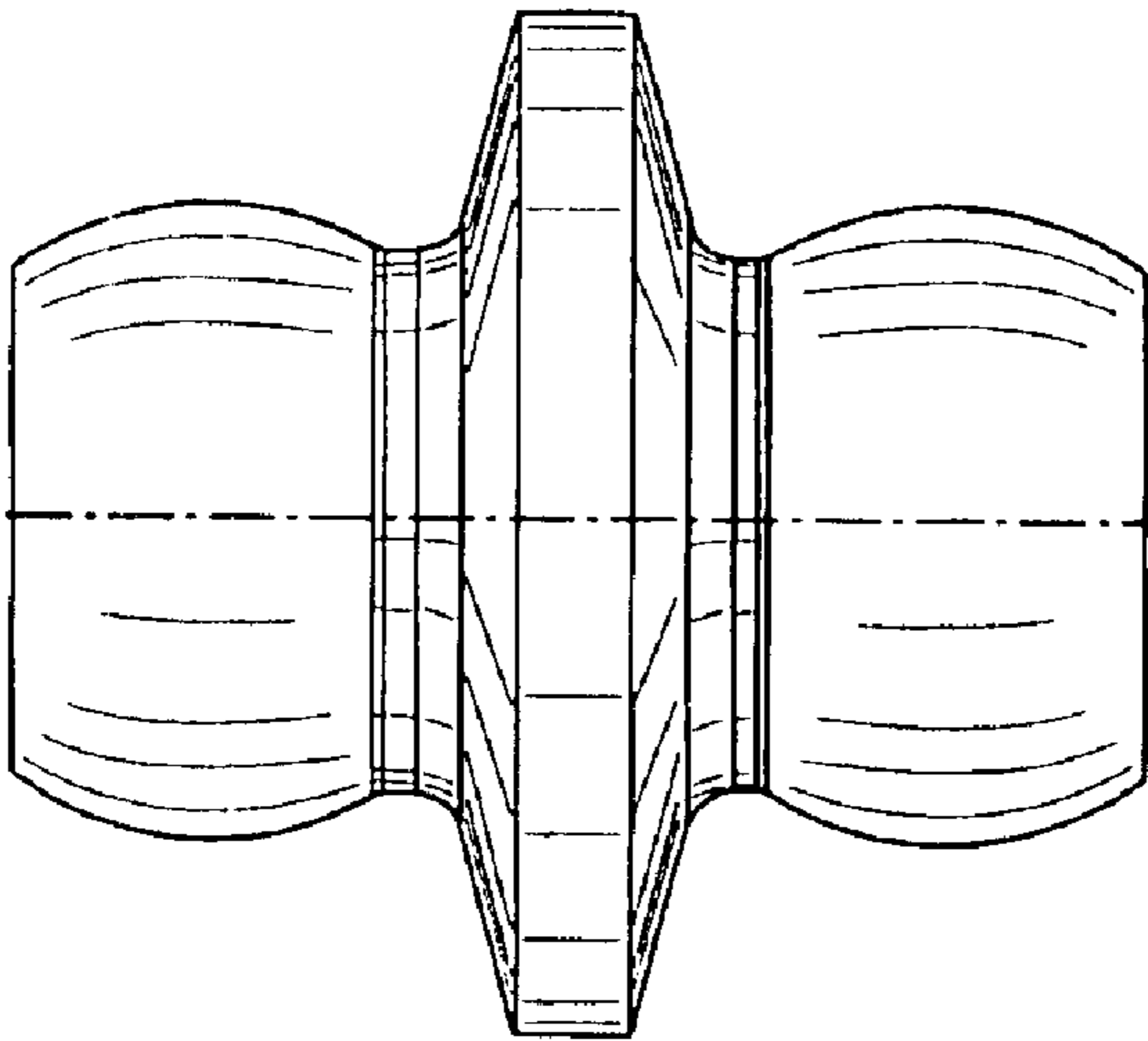


FIG. 4

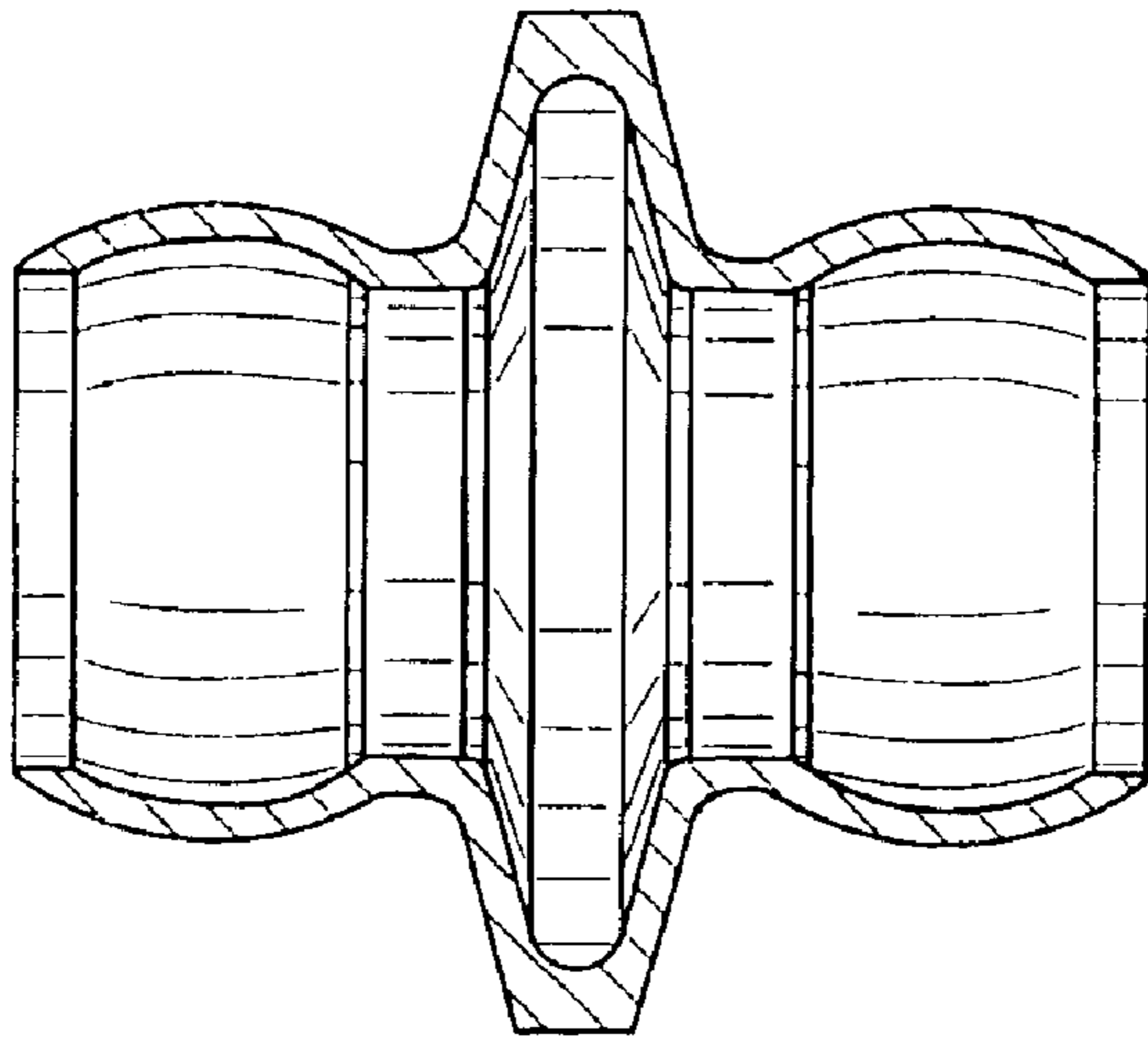


FIG. 4

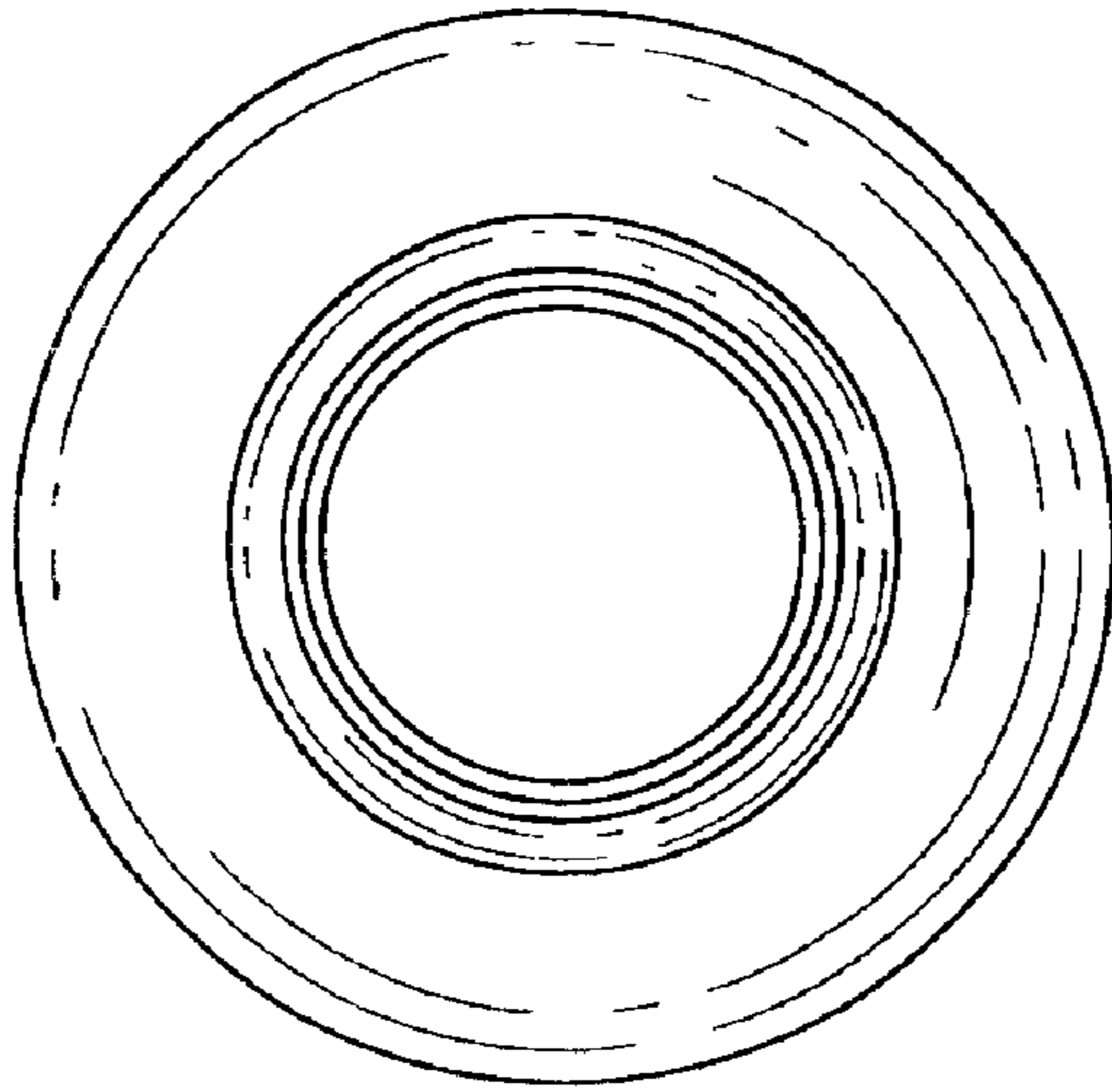


FIG. 5

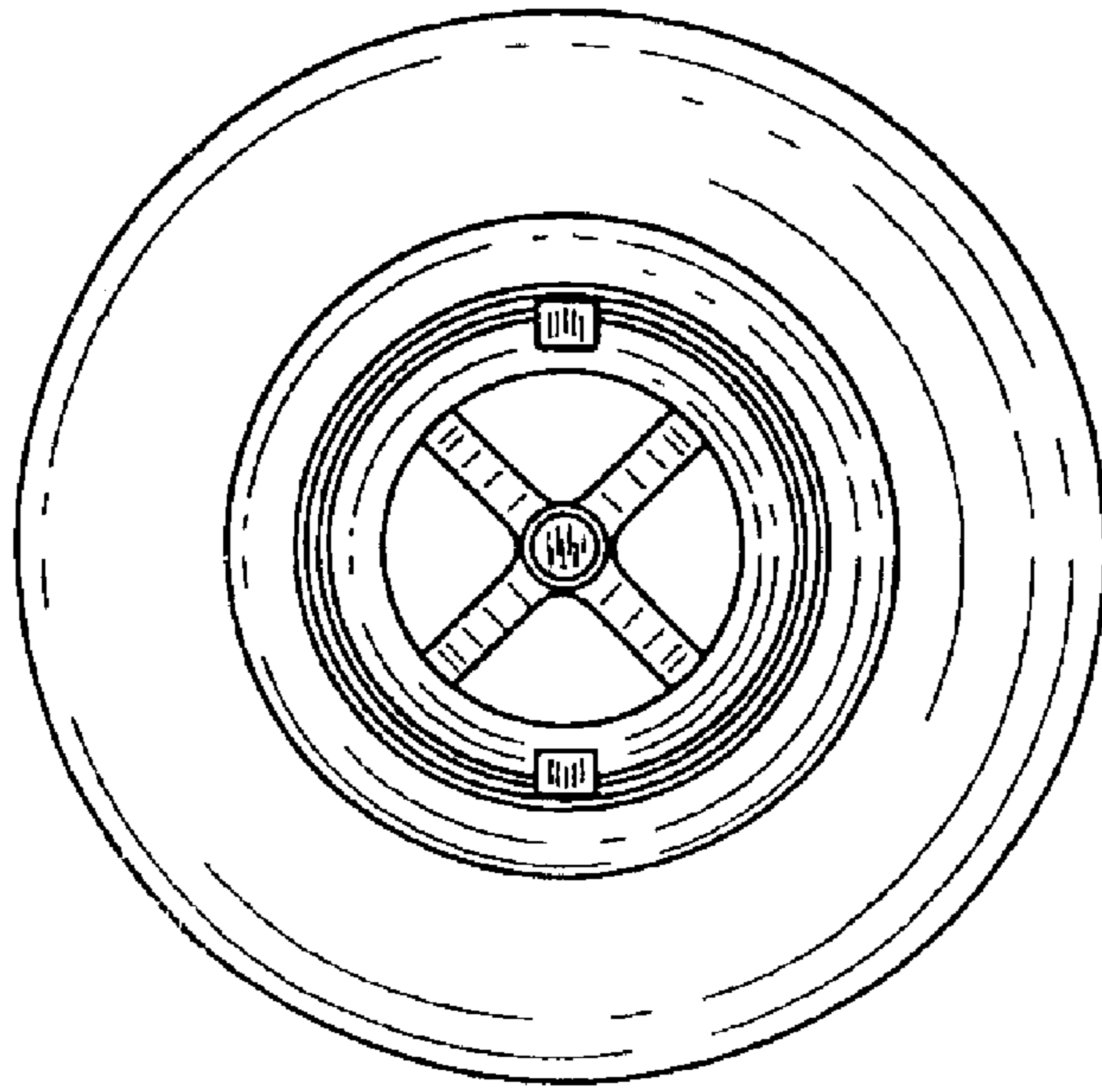


FIG. 7

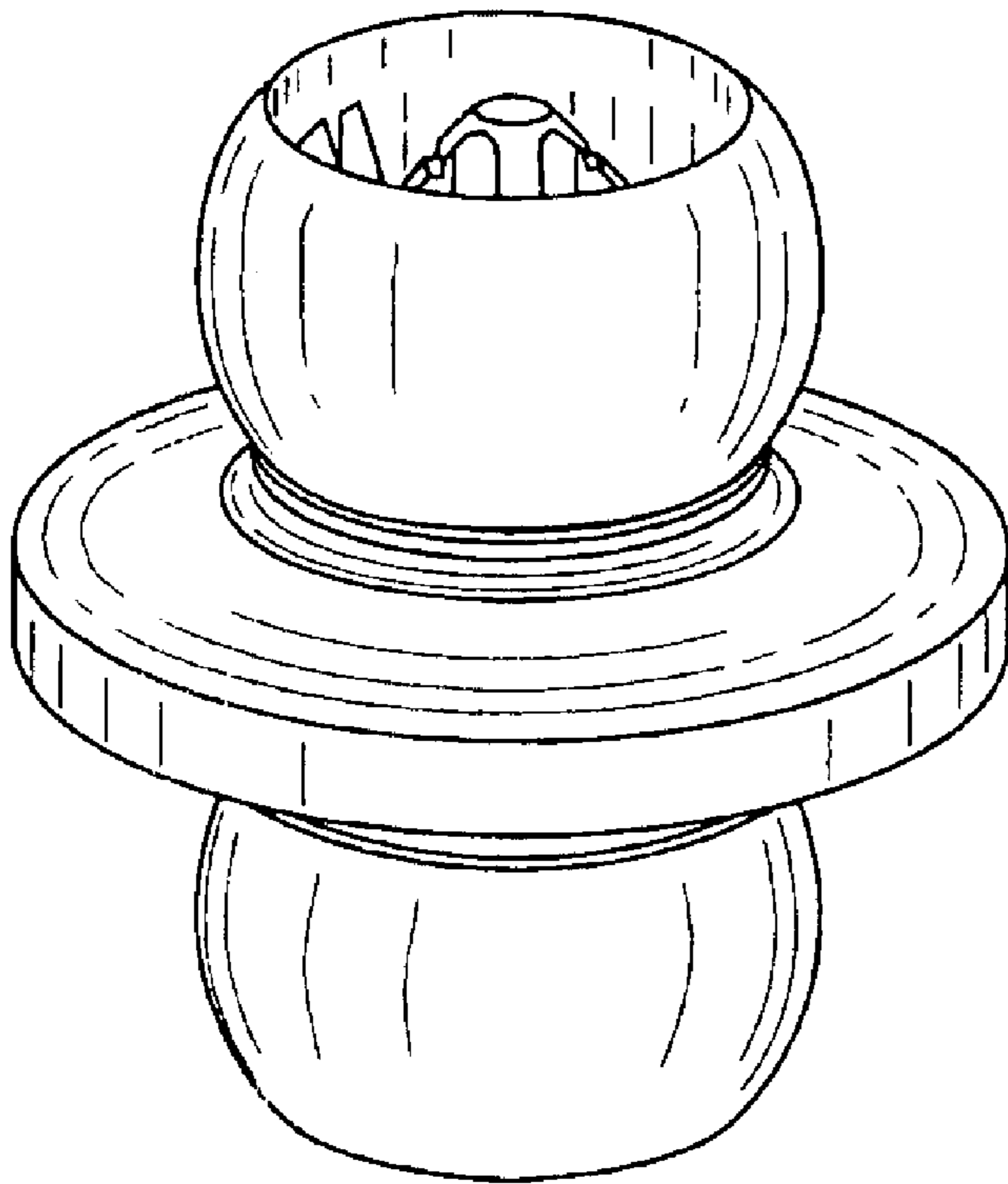


FIG. 6

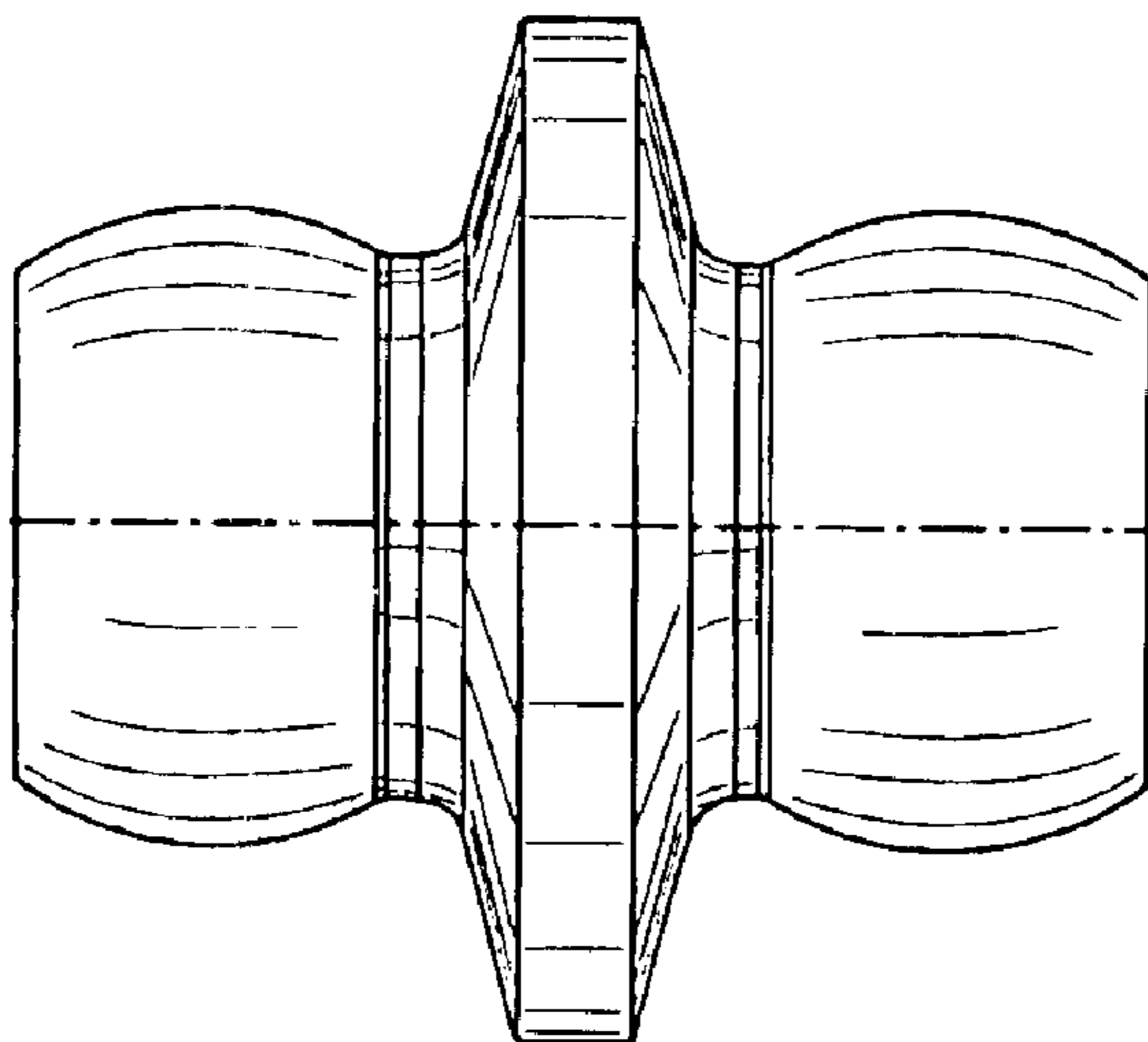


FIG. 9

FIG. 9

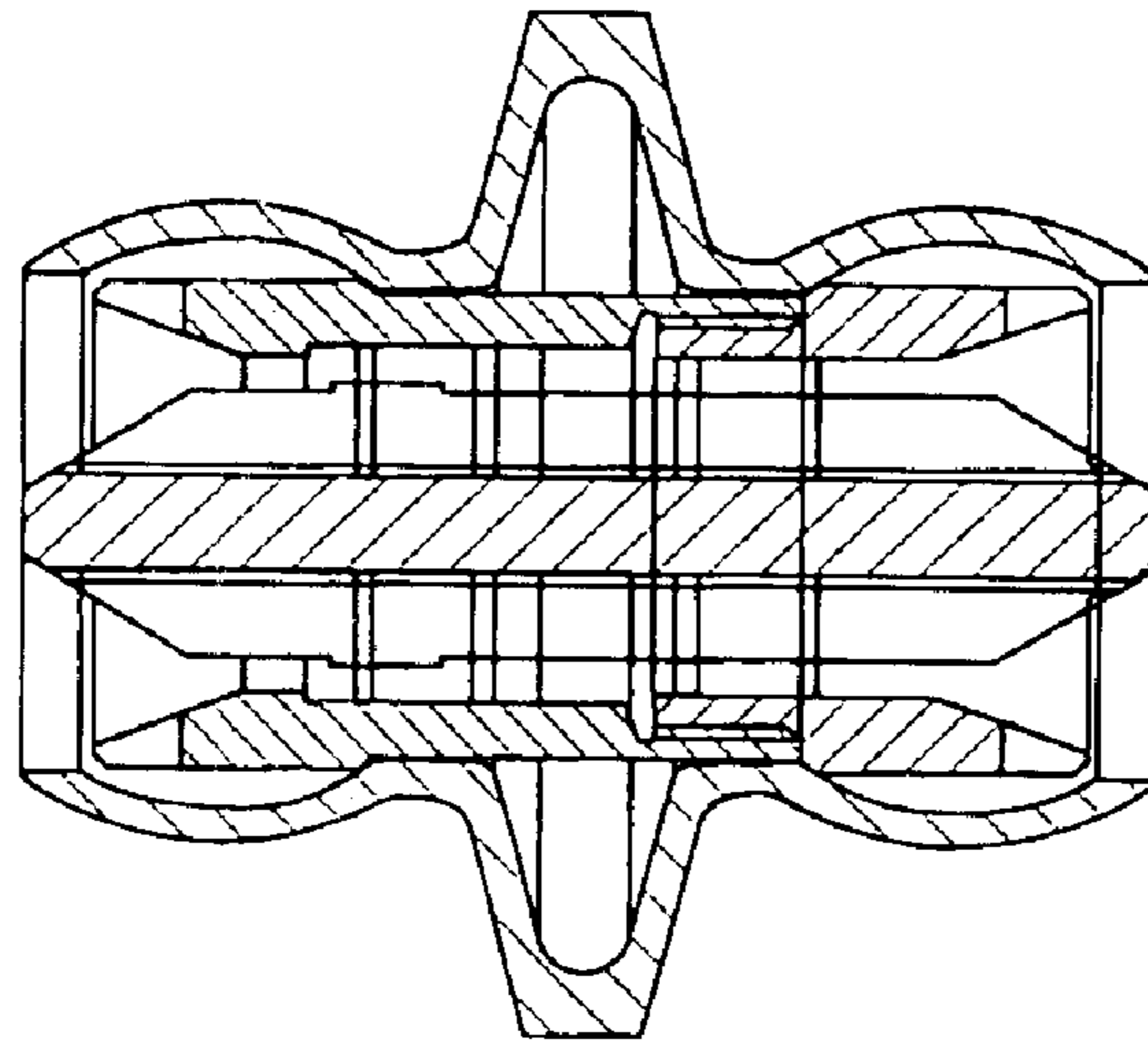


FIG. 9

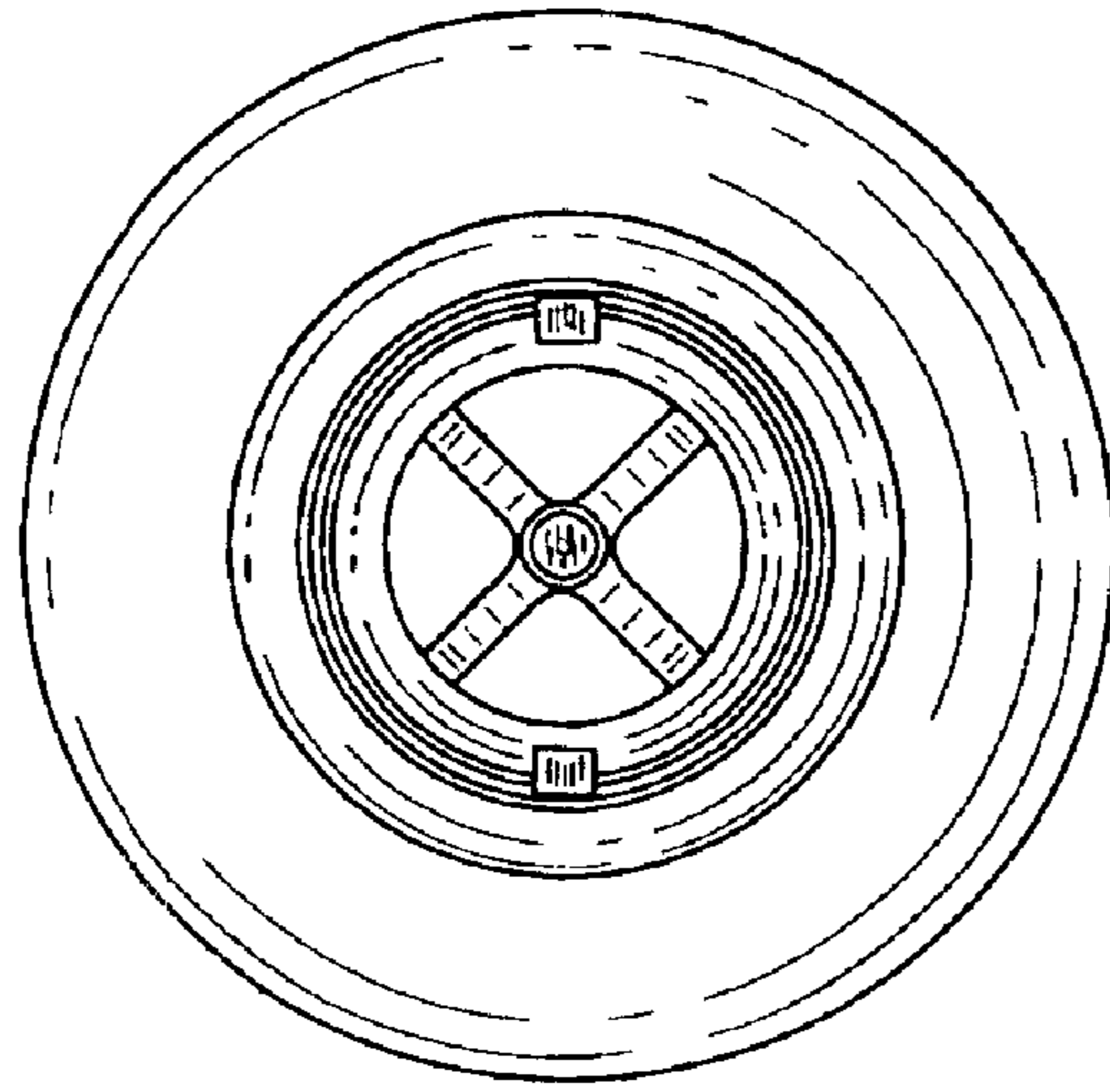


FIG. 10