



US00D530394S

(12) **United States Design Patent**
Paterson et al.

(10) **Patent No.:** **US D530,394 S**
(45) **Date of Patent:** **** Oct. 17, 2006**

(54) **MODULAR SENSOR FAUCET ASSEMBLY**

(75) Inventors: **Graham H. Paterson**, Wilmington, DE (US); **Andrew Vellrath**, New Castle, DE (US); **William J. Walbrandt**, Kennett Square, PA (US); **Michael D. Trenham**, Wayne, PA (US)

(73) Assignee: **Speakman Company**, New Castle, DE (US)

(**) Term: **14 Years**

(21) Appl. No.: **29/226,131**

(22) Filed: **Mar. 24, 2005**

(51) **LOC (8) Cl.** **23-01**

(52) **U.S. Cl.** **D23/238**

(58) **Field of Classification Search** D23/238-257;
4/675; 137/801

See application file for complete search history.

(56) **References Cited**

U.S. PATENT DOCUMENTS

D192,003 S * 12/1961 Young D23/241
D229,495 S * 12/1973 Landell D23/241
4,894,874 A 1/1990 Wilson

5,165,121 A 11/1992 McTargett et al.
D346,852 S * 5/1994 Hill D23/241
5,618,023 A 4/1997 Eichholz et al.
D381,396 S * 7/1997 Paterson et al. D23/238
D424,169 S * 5/2000 Snyder et al. D23/238
6,082,407 A 7/2000 Paterson et al.

* cited by examiner

Primary Examiner—Louis S. Zarfes

Assistant Examiner—Gregory Andoll

(74) *Attorney, Agent, or Firm*—Connolly Bove Lodge & Hutz LLP

(57) **CLAIM**

The ornamental design for a modular sensor faucet assembly, as shown and described.

DESCRIPTION

FIG. 1 is a front elevational view of a modular sensor faucet assembly showing our new design;

FIG. 2 is a left side elevational view thereof, the right side elevational view being identical;

FIG. 3 is a top plan view thereof;

FIG. 4 is a rear elevational view thereof; and,

FIG. 5 is a bottom plan view thereof.

1 Claim, 2 Drawing Sheets

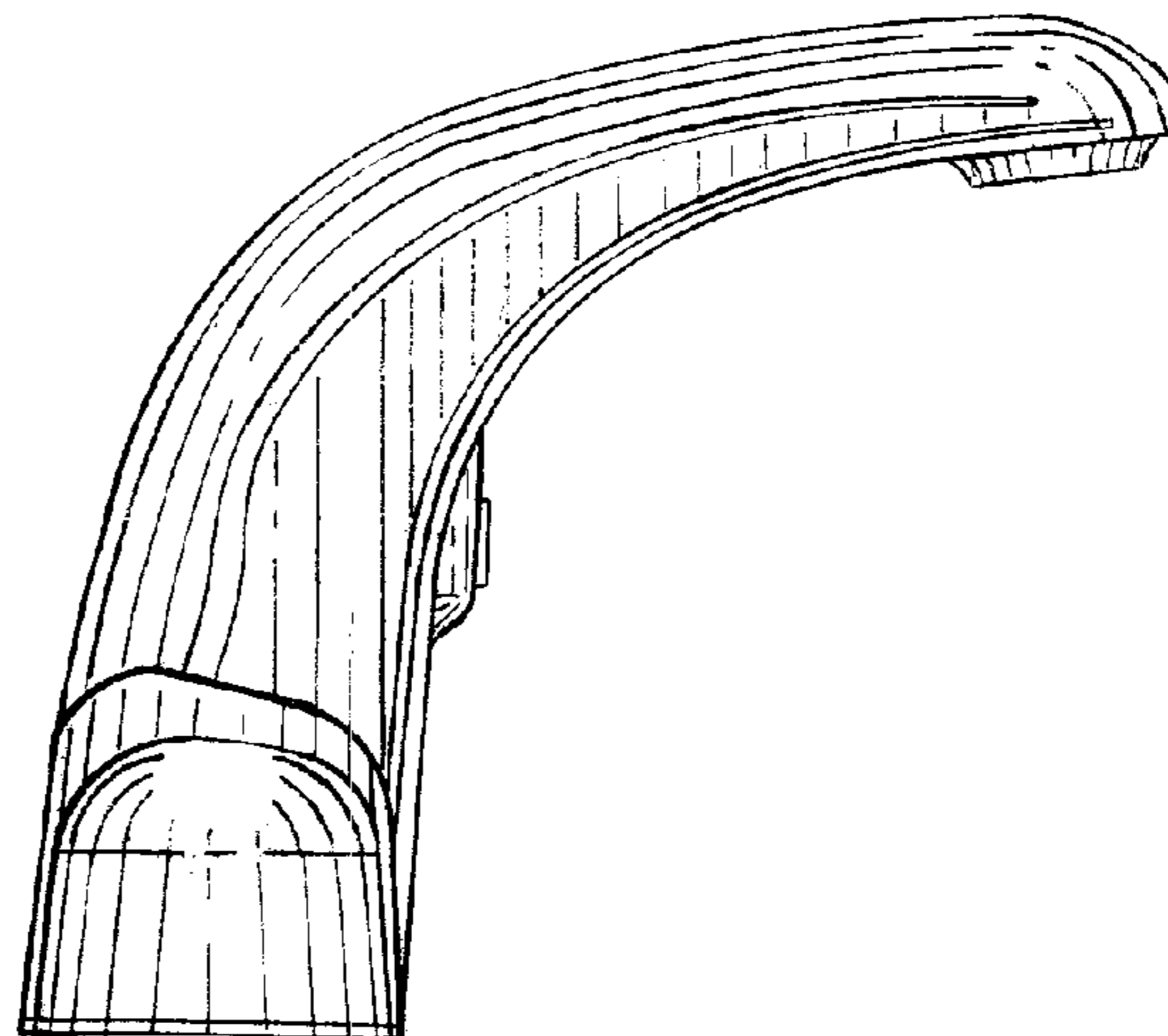
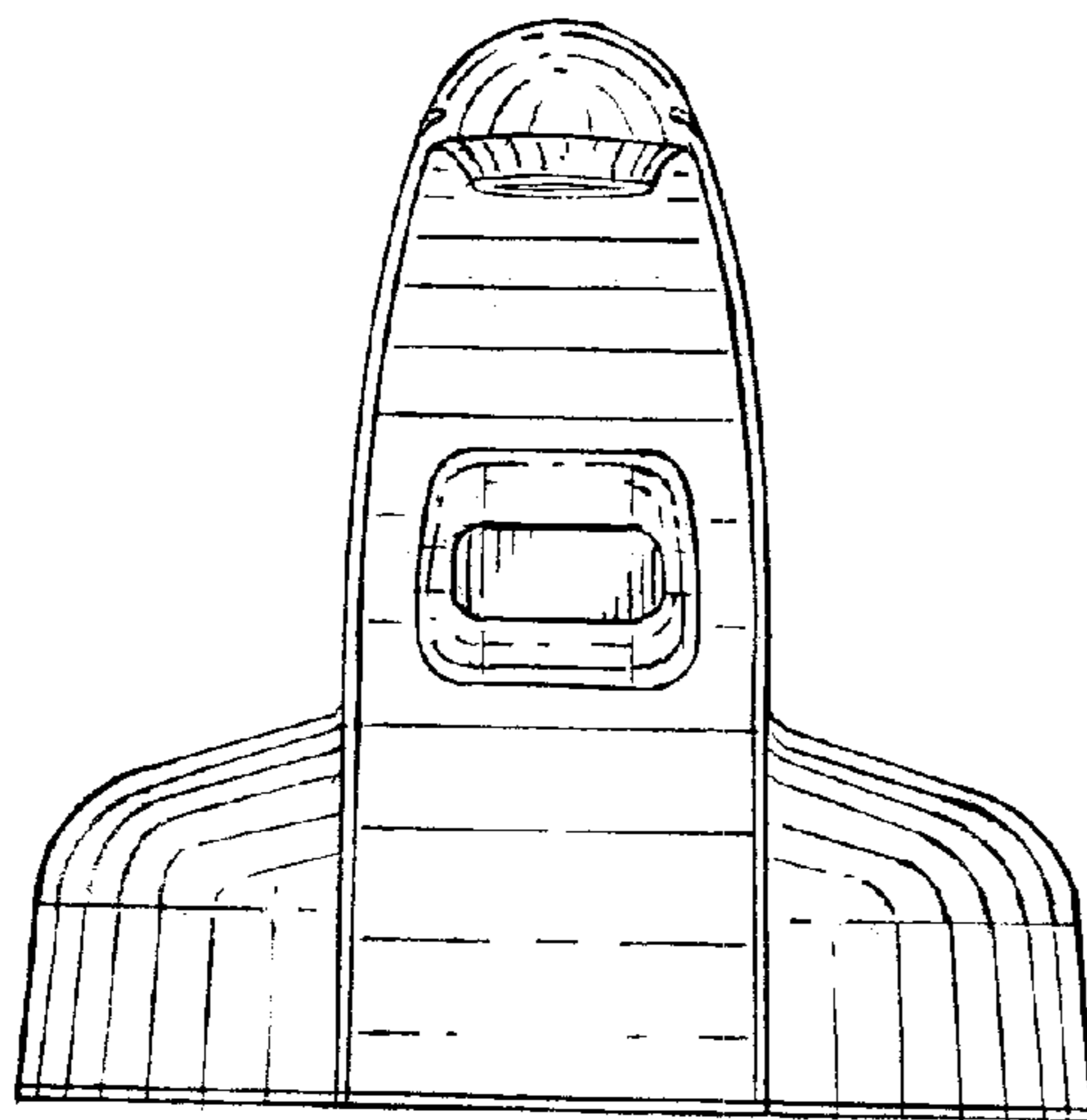


Fig. 3.

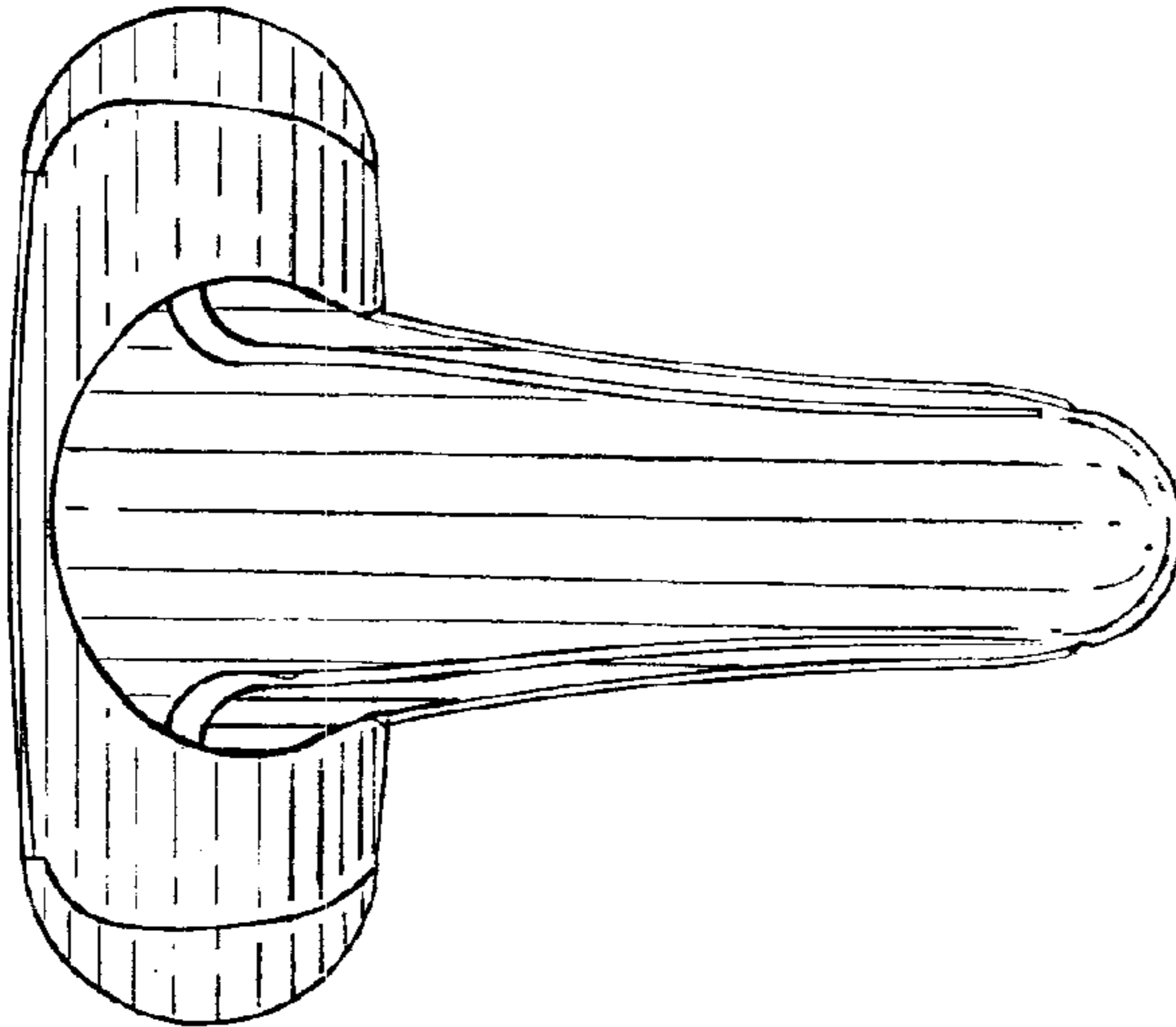


Fig. 2.

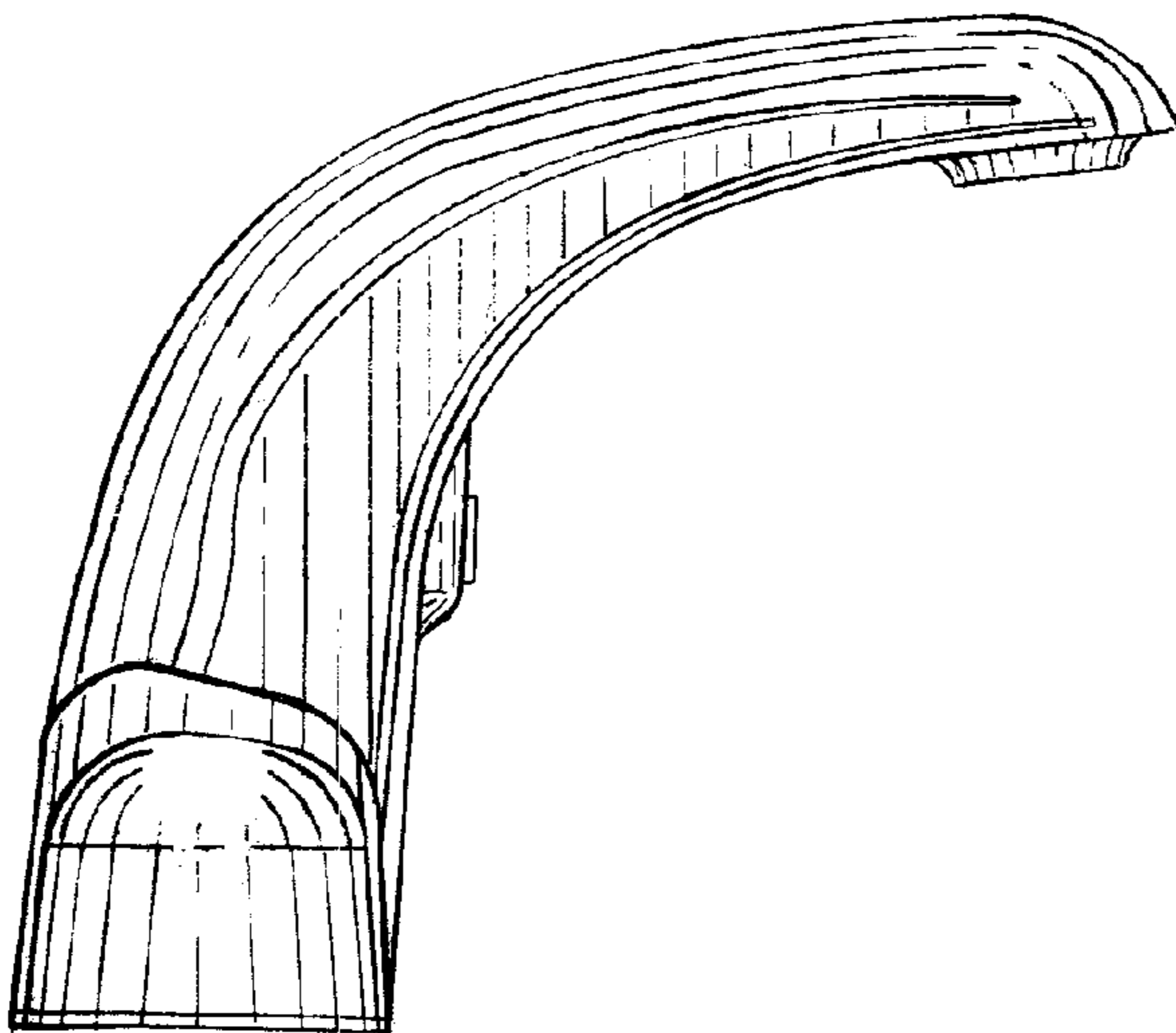


Fig. 1.

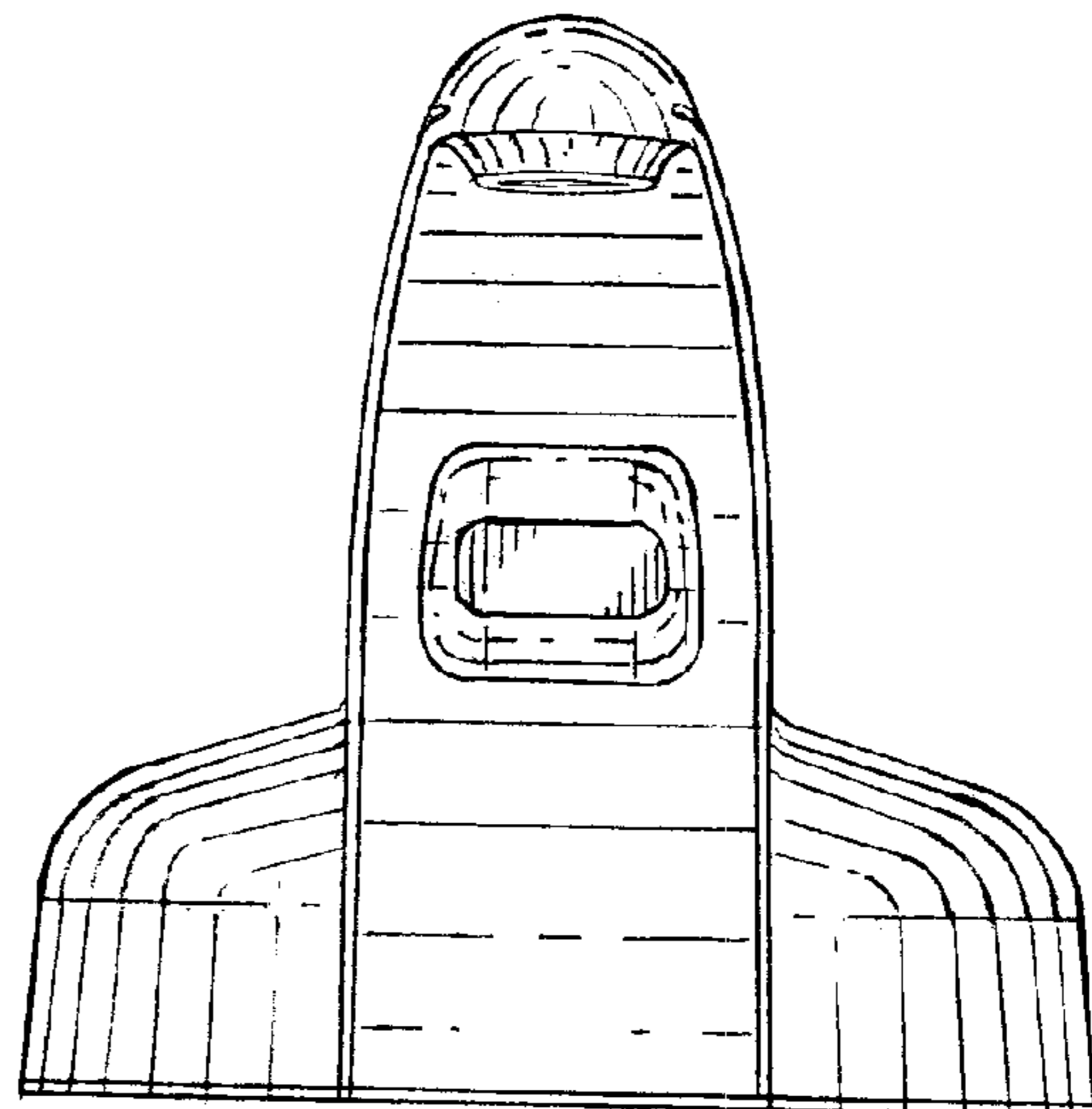


Fig. 4

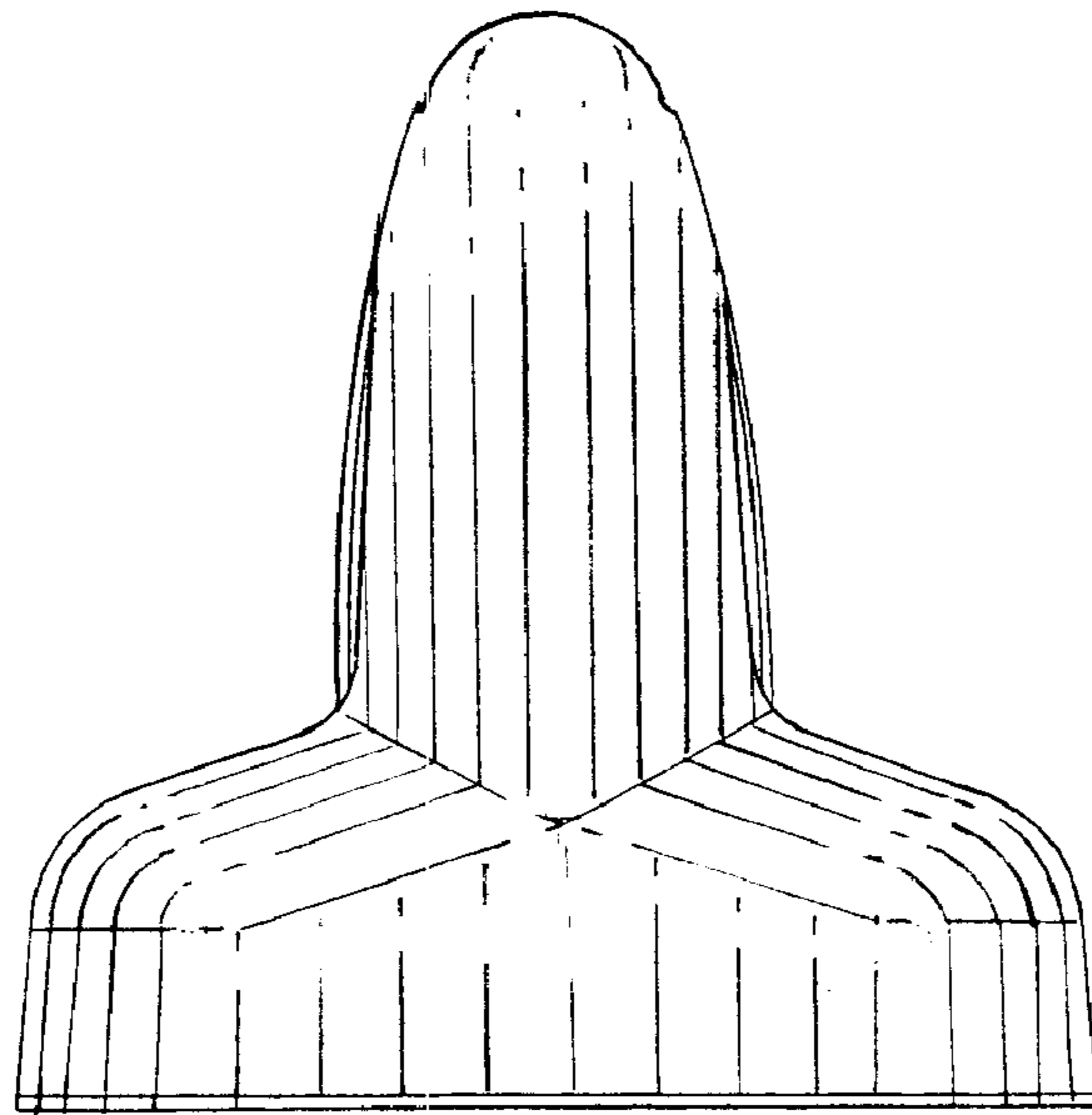


Fig. 5.

