



US00D530392S

(12) **United States Design Patent**
Tse

(10) **Patent No.:** **US D530,392 S**

(45) **Date of Patent:** **** Oct. 17, 2006**

(54) **SPRAY HEAD FOR SHOWERS**

(76) Inventor: **Hing Fai Gary Tse**, 1908-1911, 19/F,
Tetford House, 16 Wang Hoi Road,
Kowloon Bay, Kowloon, Hong Kong
(CN)

(**) Term: **14 Years**

(21) Appl. No.: **29/229,465**

(22) Filed: **May 9, 2005**

(51) **LOC (8) Cl.** **23-01**

(52) **U.S. Cl.** **D23/223**

(58) **Field of Classification Search** D23/213,
D23/223, 226; 239/394, 462
See application file for complete search history.

(56) **References Cited**

U.S. PATENT DOCUMENTS

- D424,160 S * 5/2000 Haug et al. D23/223
- D424,162 S * 5/2000 Haug et al. D23/223
- D431,278 S * 9/2000 Tse D23/223

- D488,534 S * 4/2004 Lin D23/223
- D492,006 S * 6/2004 Haug et al. D23/223
- D506,243 S * 6/2005 Wu D23/223

* cited by examiner

Primary Examiner—Robin Webster

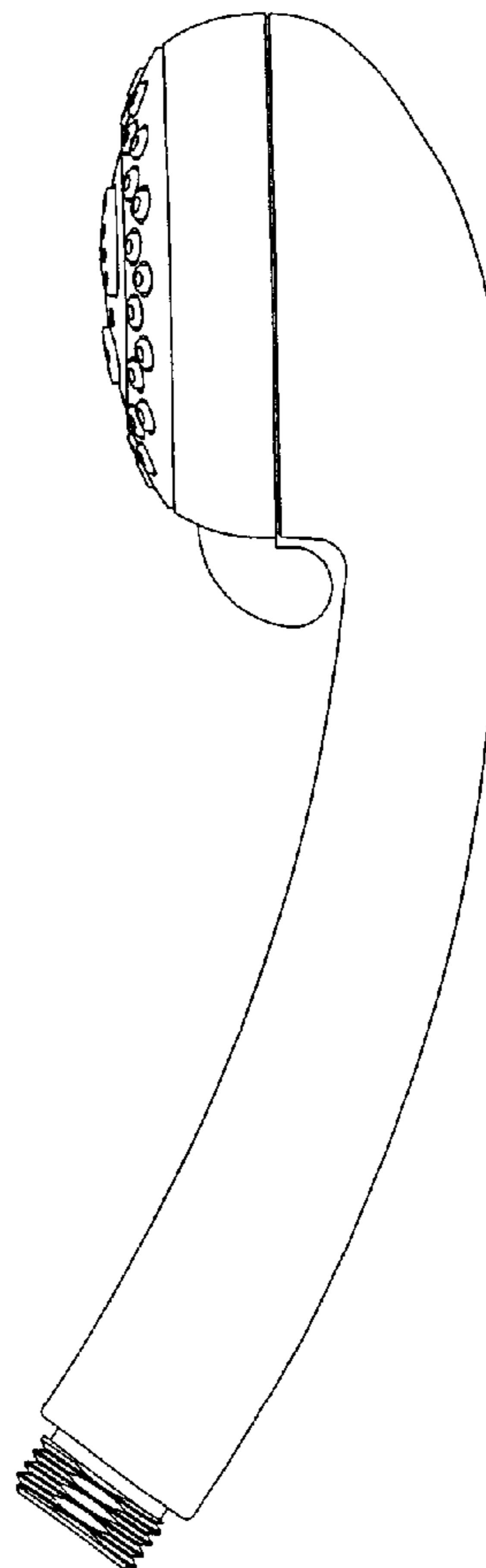
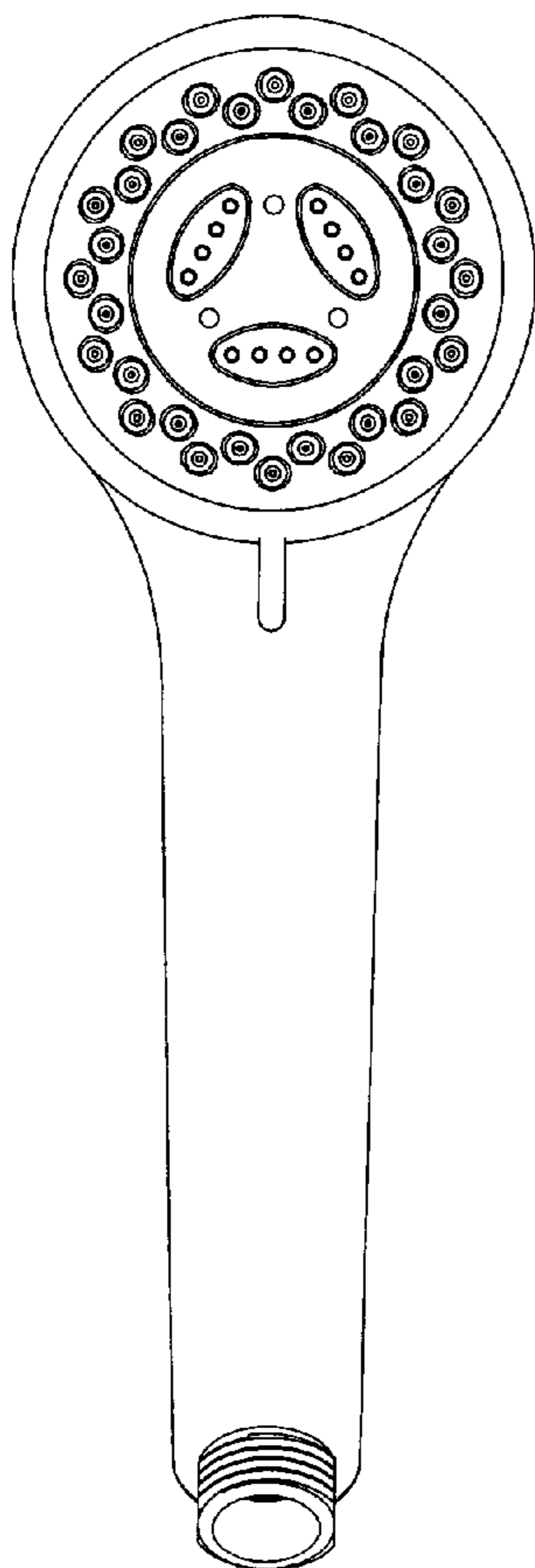
(57) **CLAIM**

The ornamental design for a spray head for showers, as shown.

DESCRIPTION

The claimed spray head for showers is used for releasing drops of water through the small holes.
FIG. 1 is a front elevational view of a spray head for showers showing my new design;
FIG. 2 is a rear elevational view thereof;
FIG. 3 is a left side view thereof;
FIG. 4 is a right side view thereof;
FIG. 5 is a top plan view thereof; and,
FIG. 6 is a bottom plan view thereof.

1 Claim, 3 Drawing Sheets



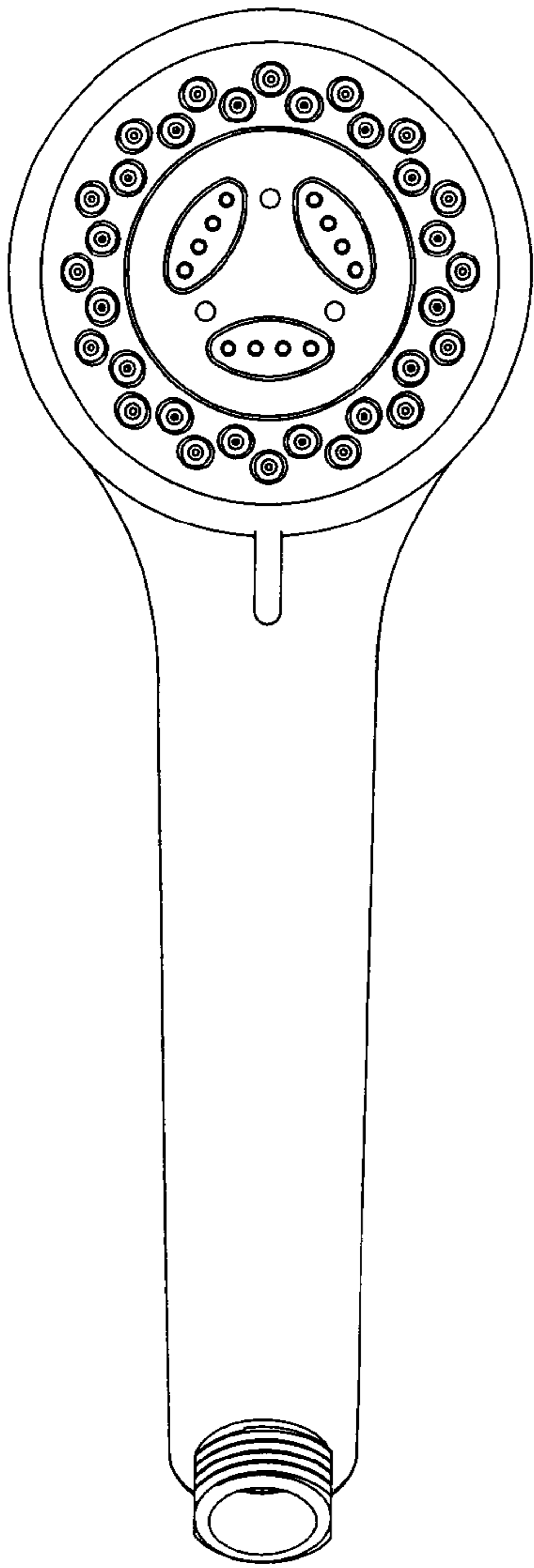


FIG. 1

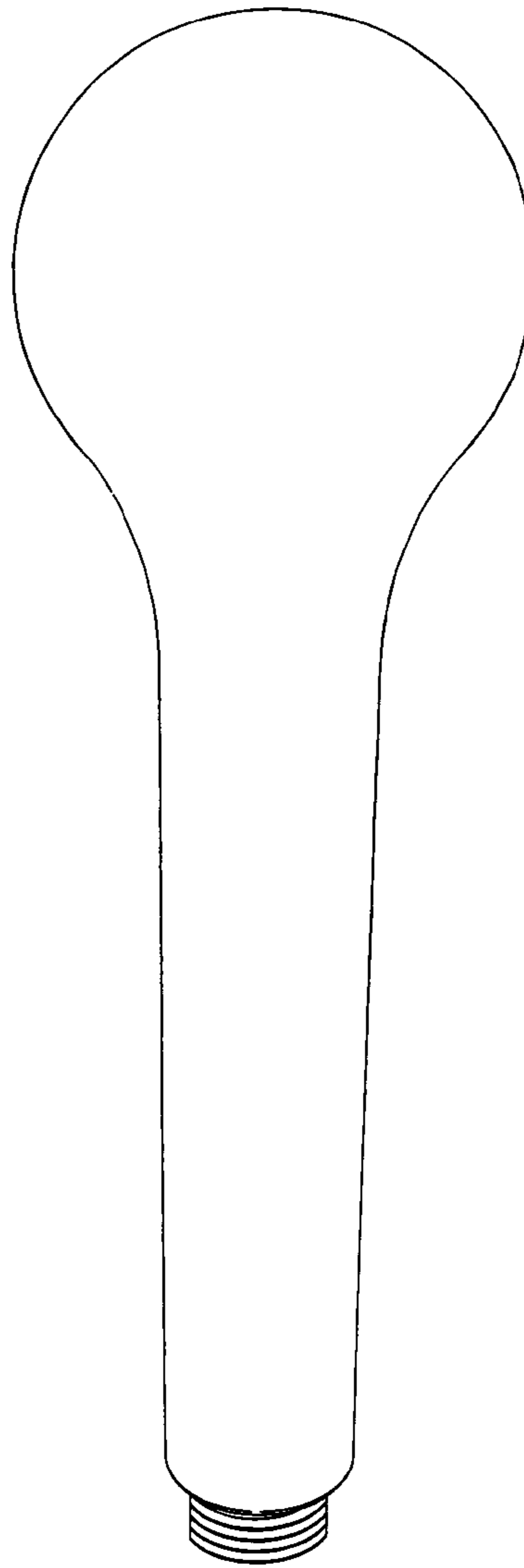


FIG. 2

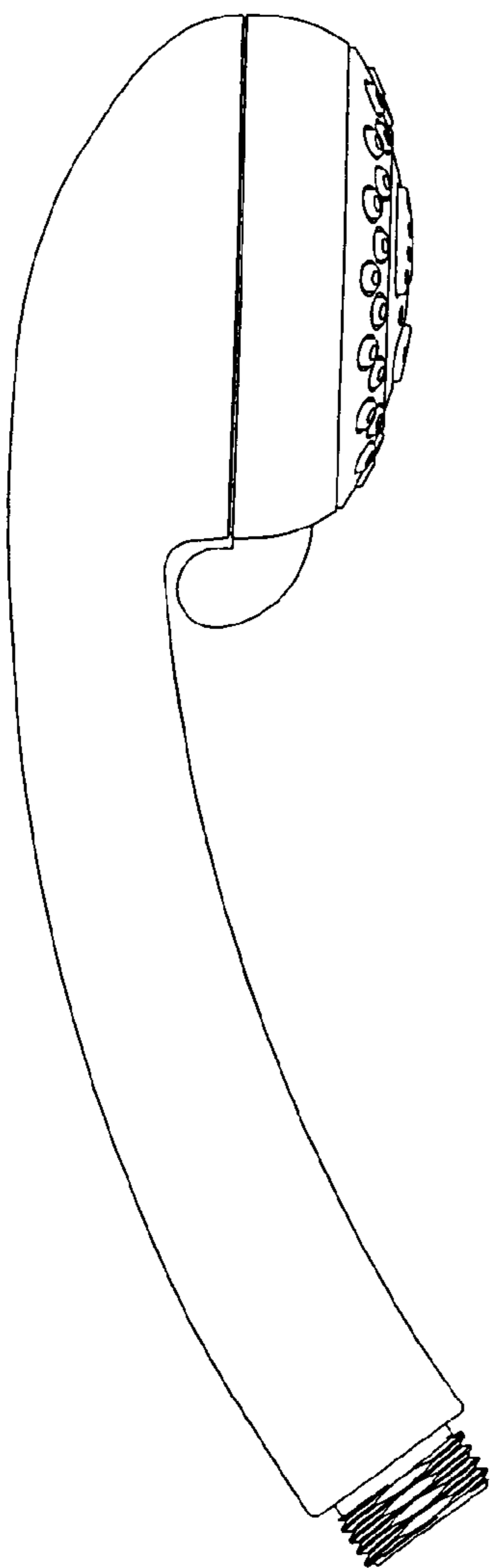


FIG. 3

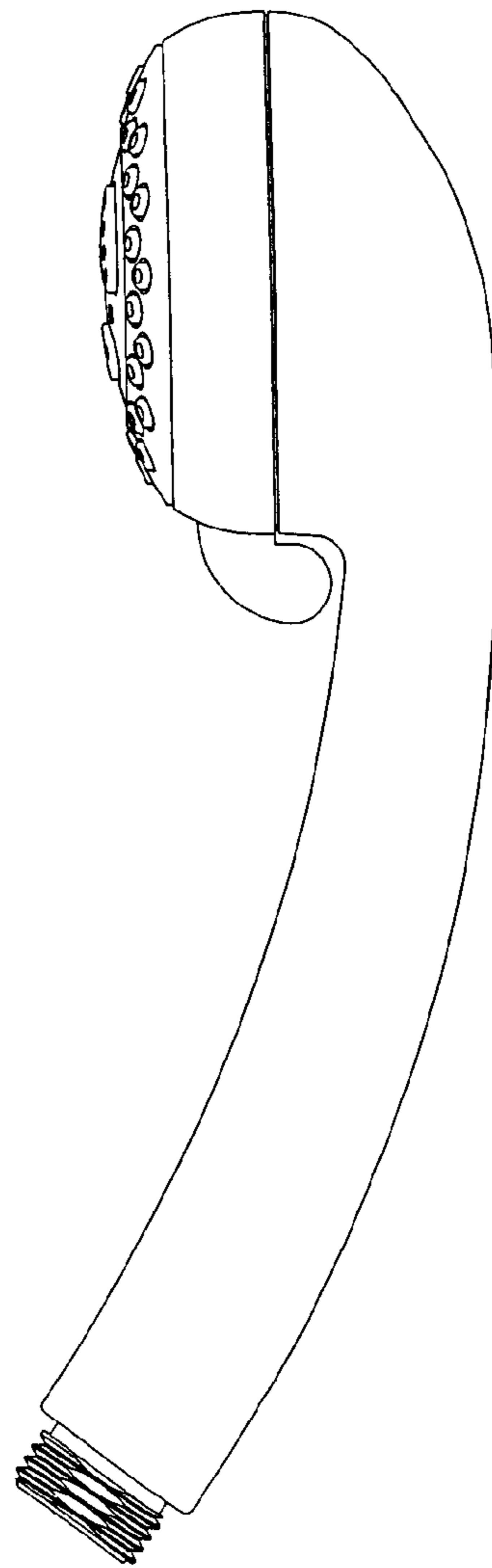


FIG. 4

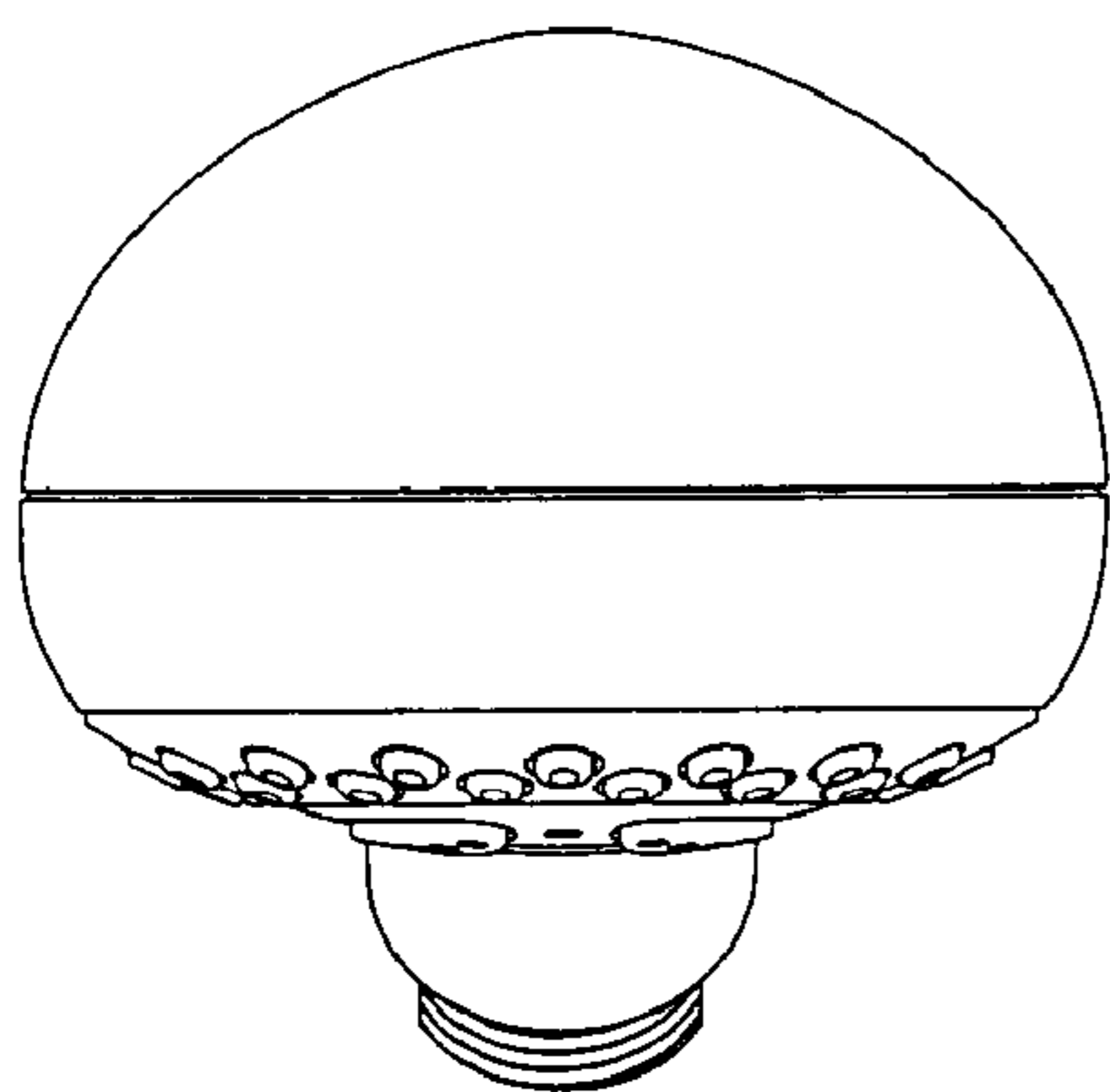


FIG. 5

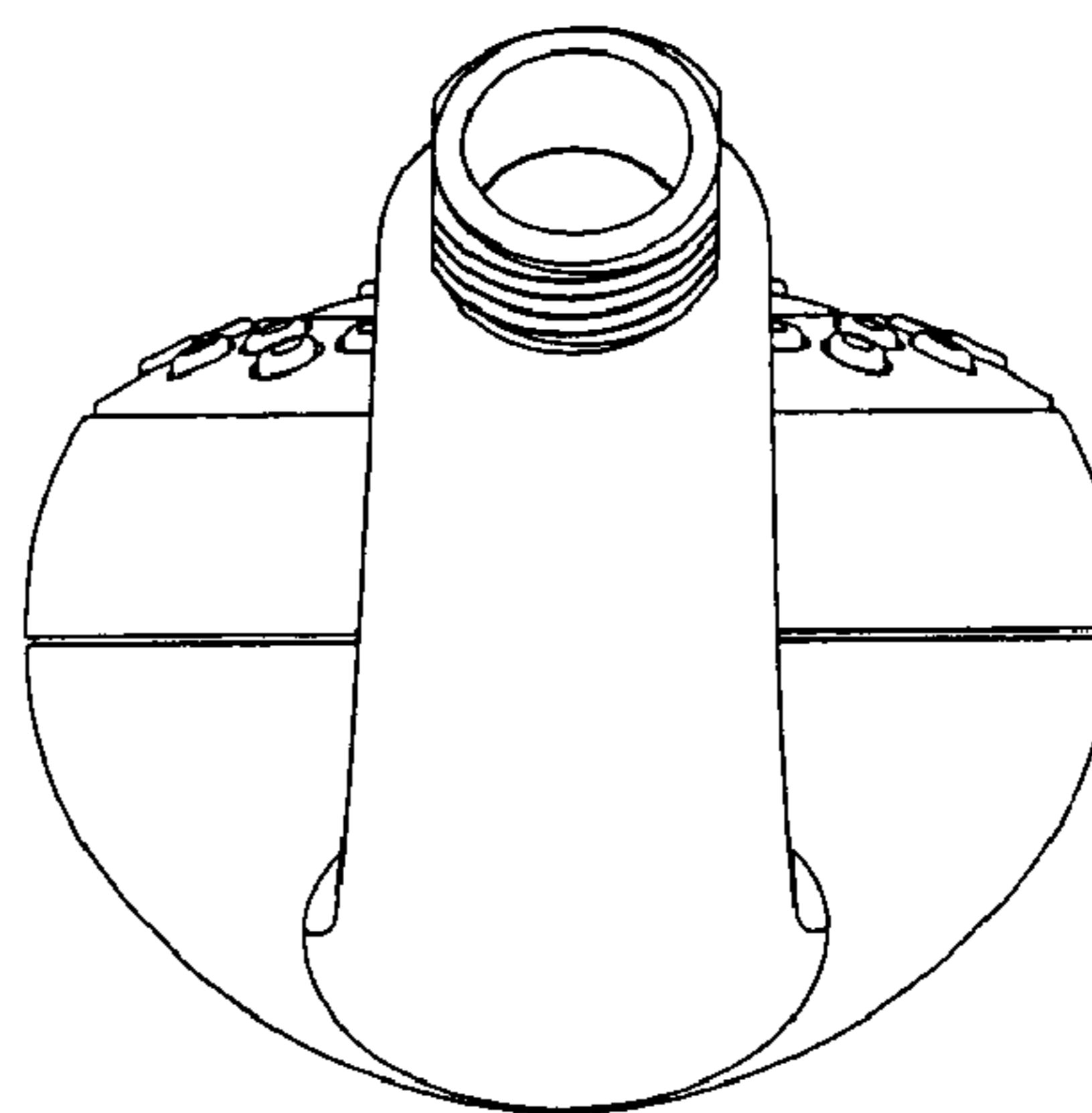


FIG. 6