



US00D530391S

(12) **United States Design Patent**
Tse

(10) **Patent No.: US D530,391 S**

(45) **Date of Patent: ** Oct. 17, 2006**

(54) **SPRAY HEAD FOR SHOWERS**

(76) **Inventor: Hing Fai Gary Tse**, 1908-1911, Tetford House, 16 Wang Hoi Road, Kowloon Bay, Kowloon, Hong Kong (CN)

(**) **Term: 14 Years**

(21) **Appl. No.: 29/229,460**

(22) **Filed: May 9, 2005**

(51) **LOC (8) Cl. 23-01**

(52) **U.S. Cl. D23/223**

(58) **Field of Classification Search** D23/213, D23/223, 226; 239/394, 462
See application file for complete search history.

(56) **References Cited**

U.S. PATENT DOCUMENTS

D465,548 S * 11/2002 Tse D23/223
D466,185 S * 11/2002 Tse D23/223

D496,988 S * 10/2004 Lin D23/223
D503,775 S * 4/2005 Zieger D23/223

* cited by examiner

Primary Examiner—Robin Webster

(57) **CLAIM**

The ornamental design for a spray head for showers, as shown.

DESCRIPTION

The claimed spray head for showers is used for releasing drops of water through the small holes.

FIG. 1 is a front elevational view of a spray head for showers showing my new design;

FIG. 2 is a rear elevational view thereof;

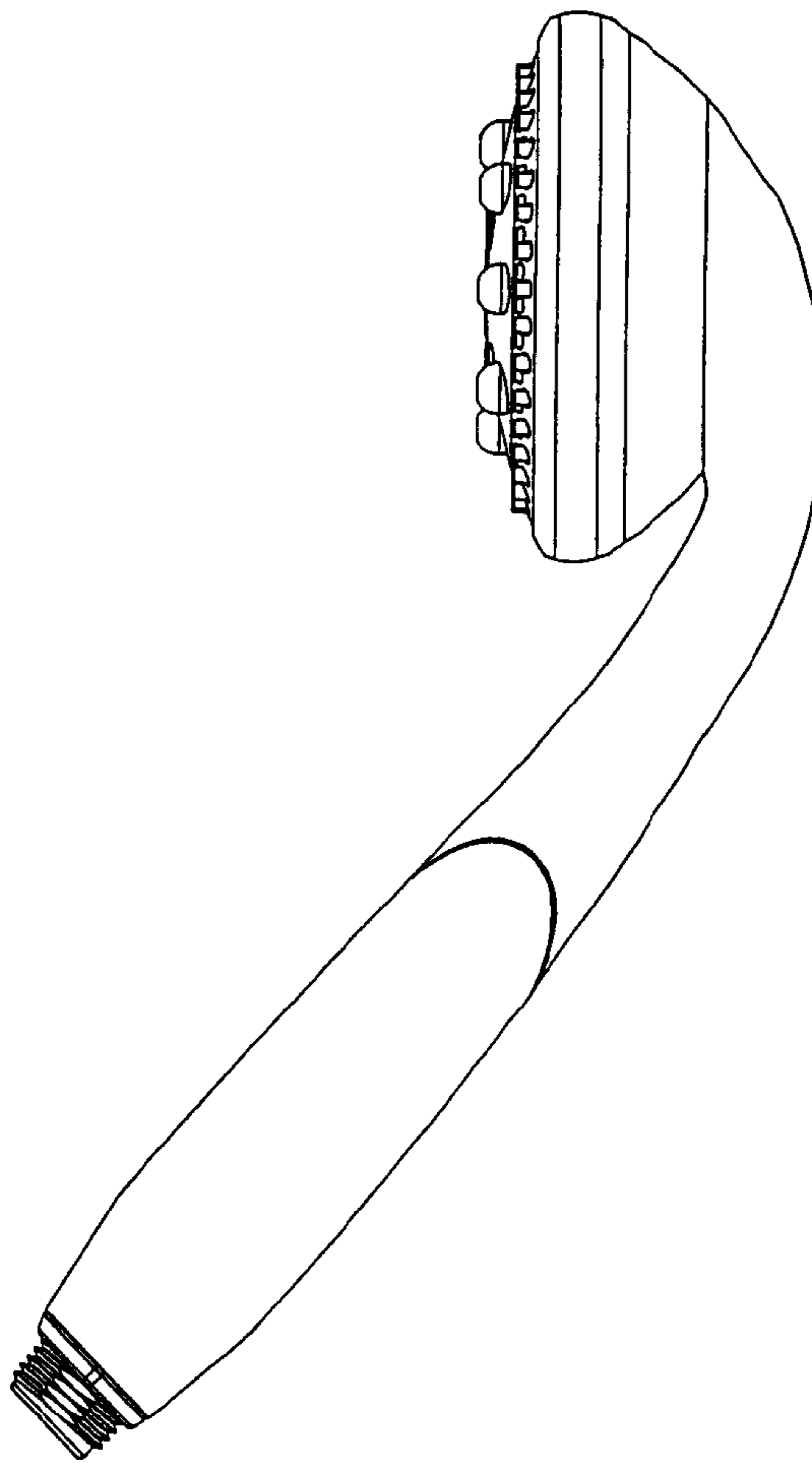
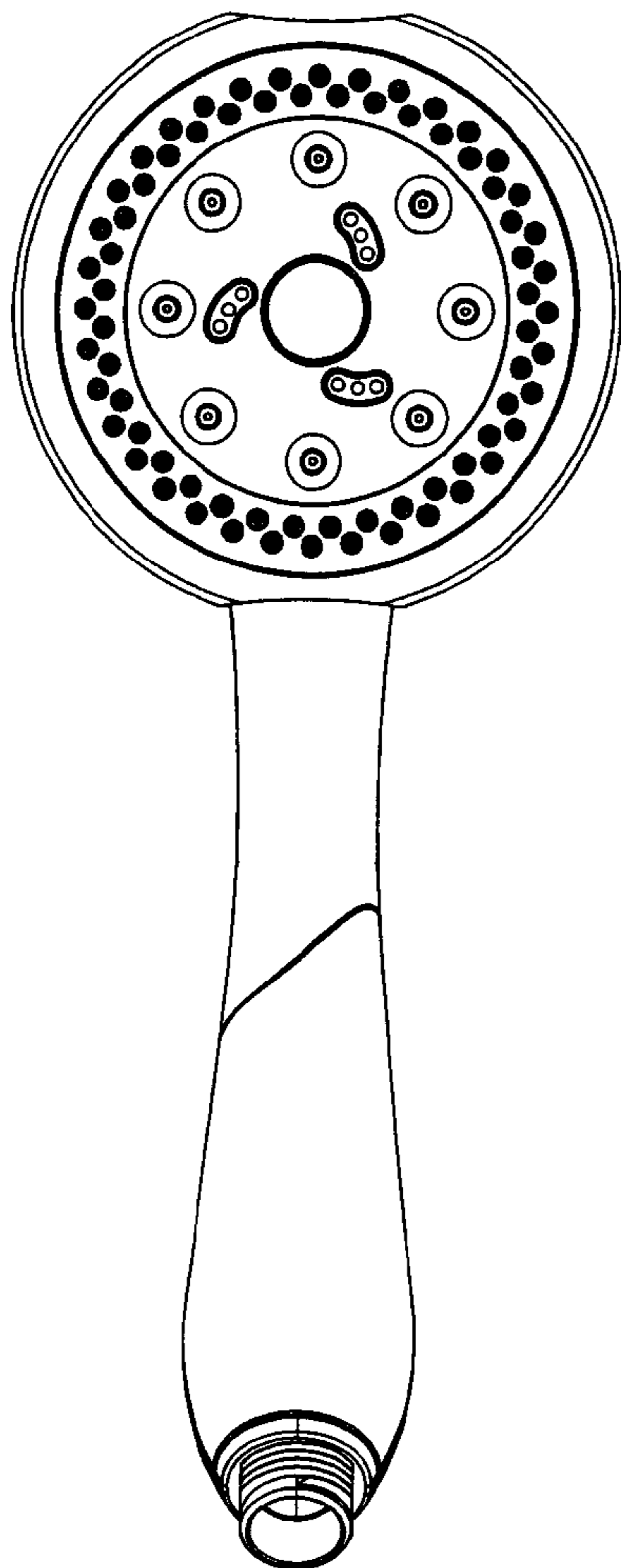
FIG. 3 is a left side view thereof;

FIG. 4 is a right side view thereof;

FIG. 5 is a top plan view thereof; and,

FIG. 6 is a bottom plan view thereof.

1 Claim, 3 Drawing Sheets



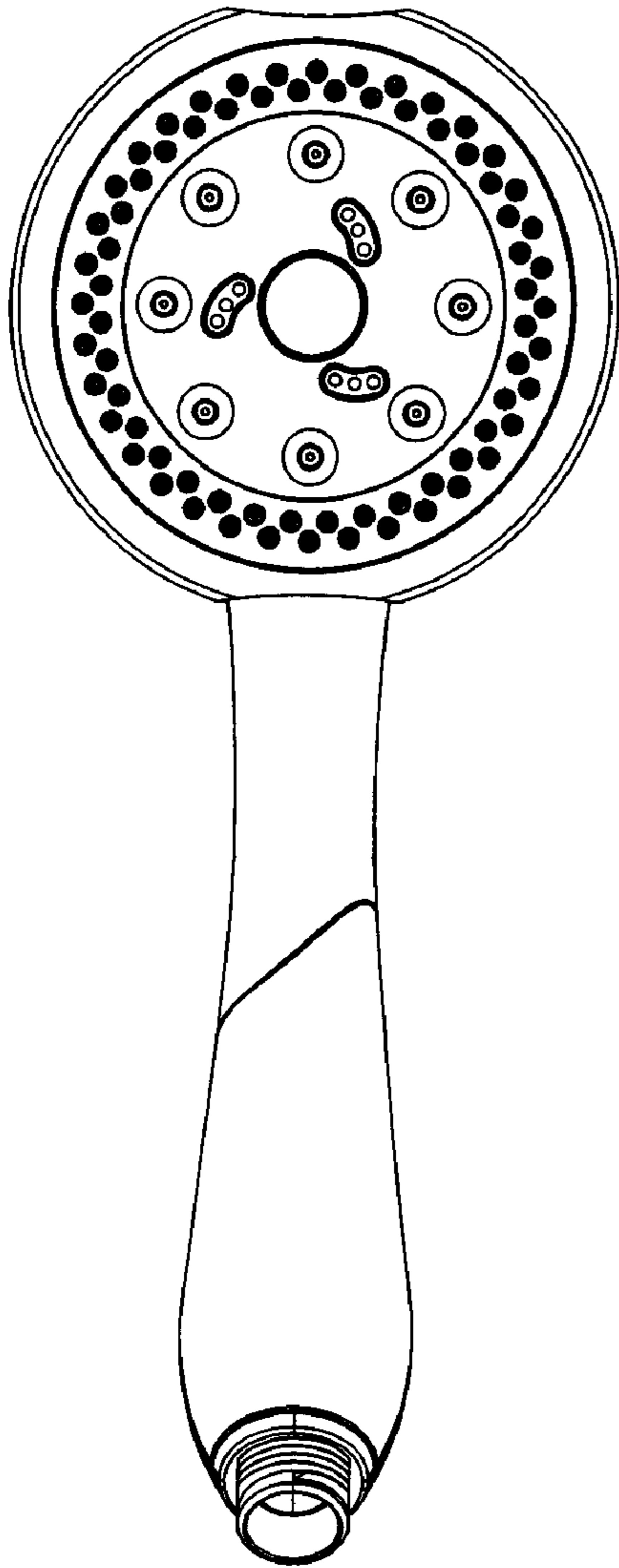


FIG. 1

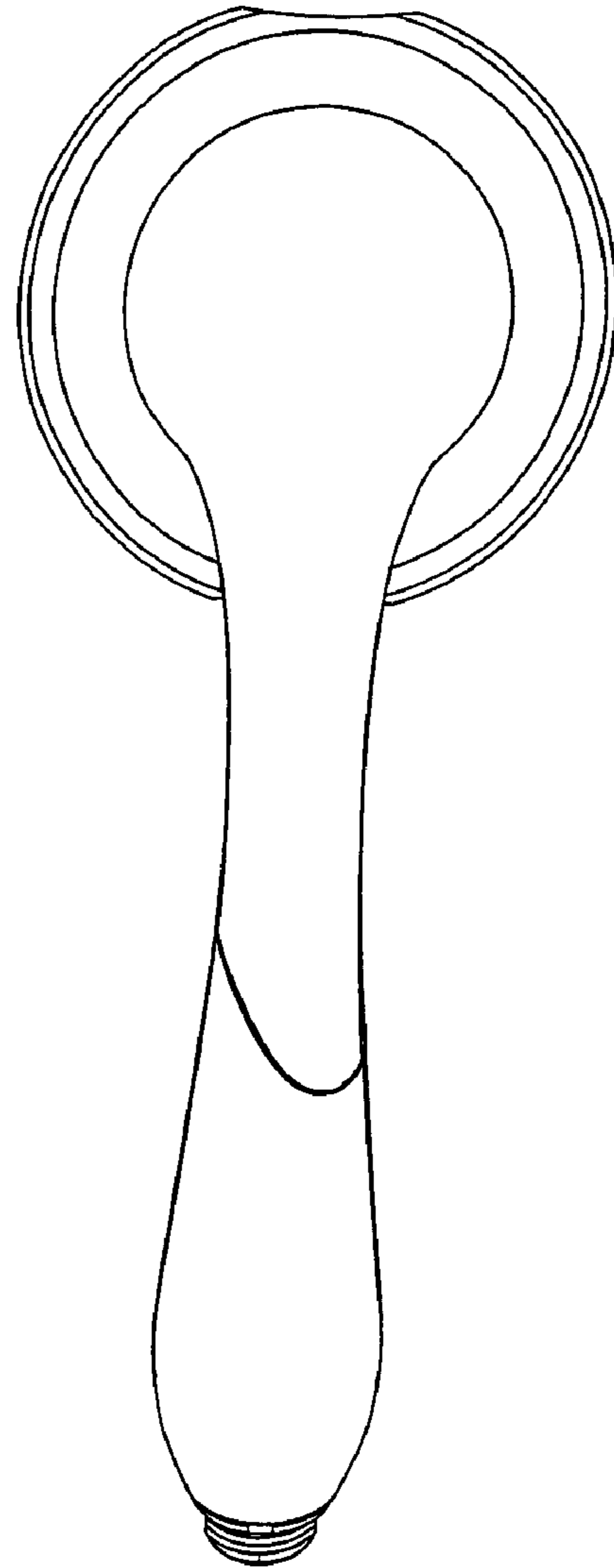


FIG. 2

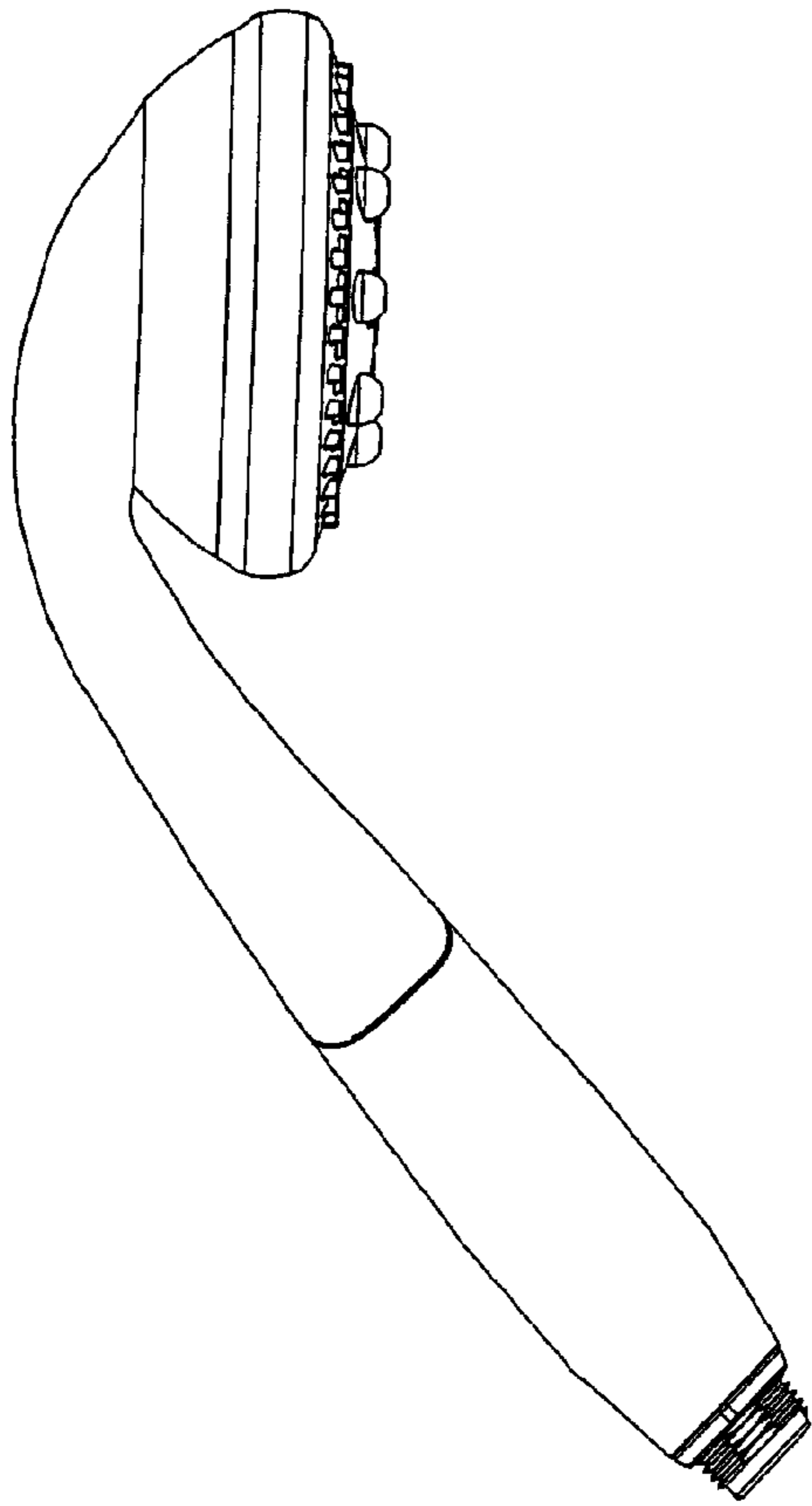


FIG. 3

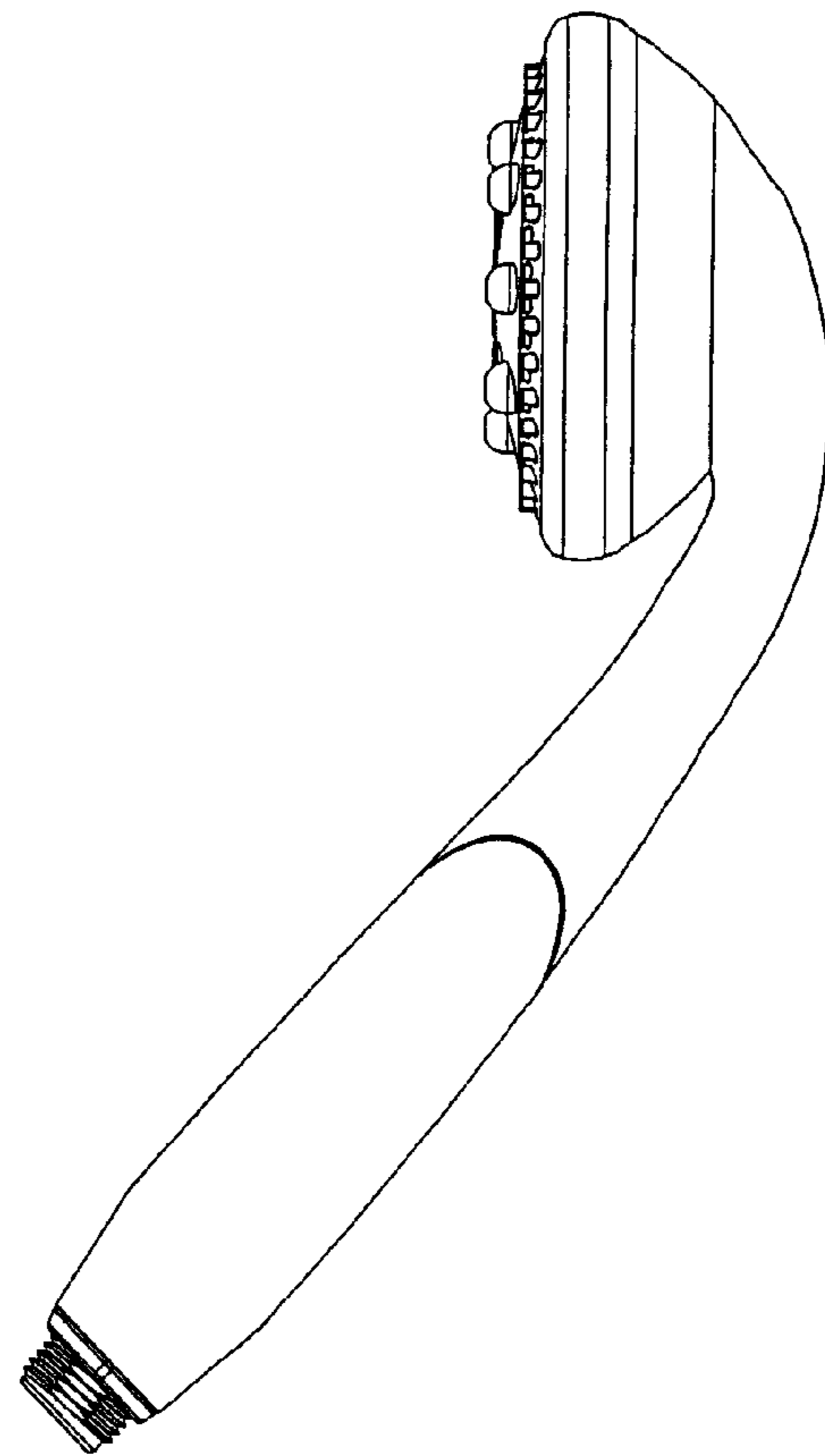


FIG. 4

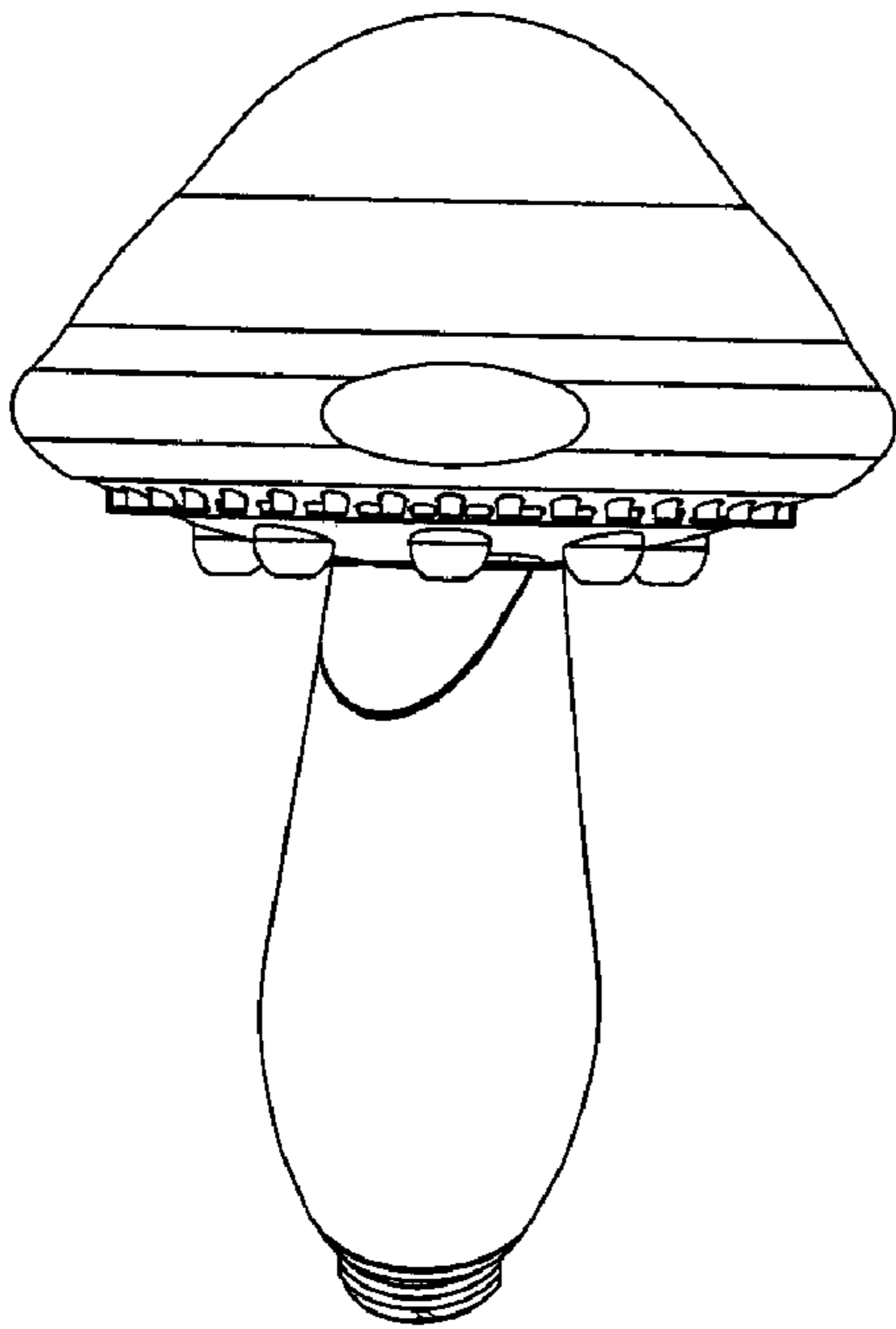


FIG. 5

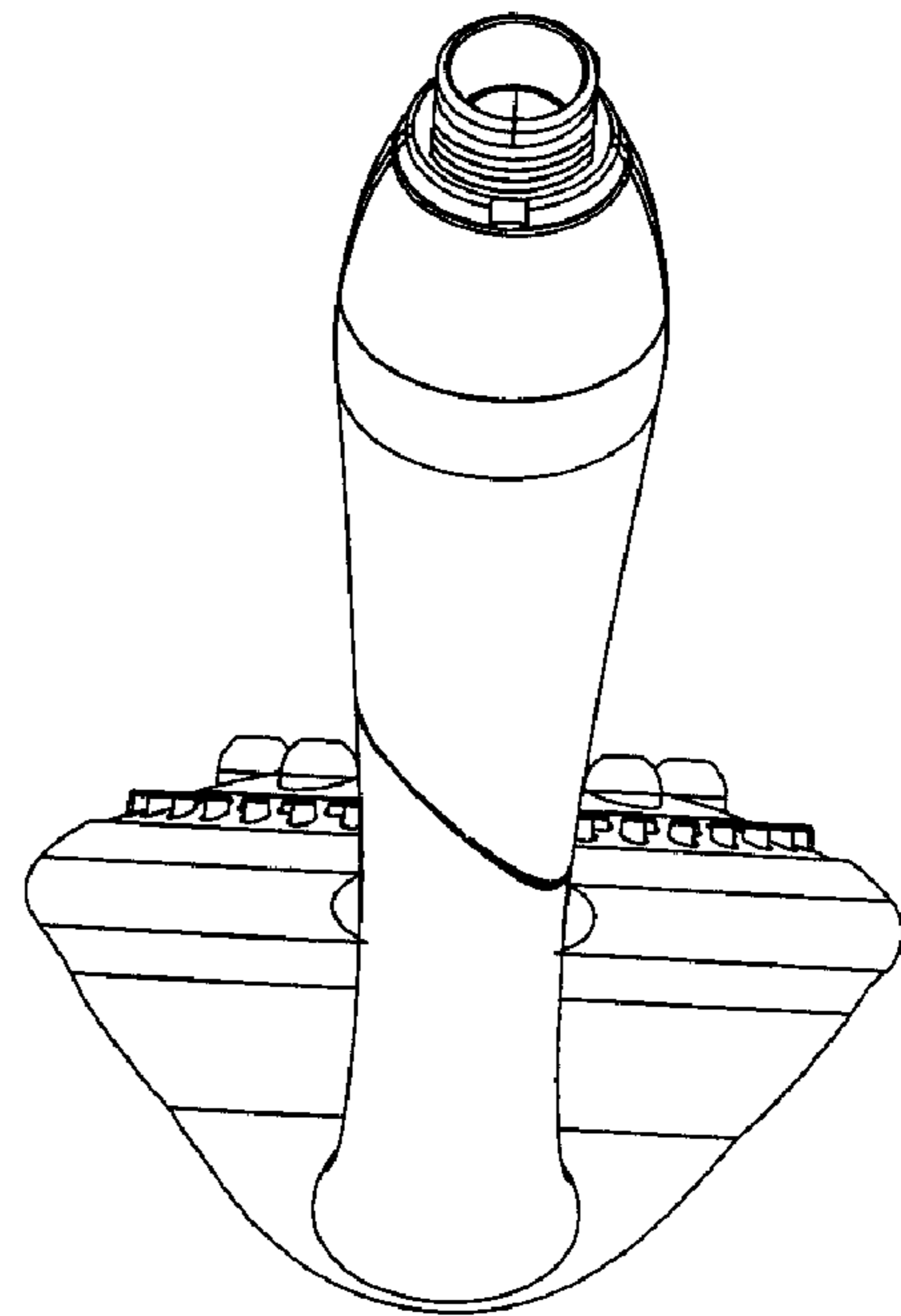


FIG. 6