



US00D530390S

(12) **United States Design Patent**  
**Tse**

(10) **Patent No.:** **US D530,390 S**

(45) **Date of Patent:** **\*\* Oct. 17, 2006**

(54) **SPRAY HEAD FOR SHOWERS**

D432,211 S \* 10/2000 Chan ..... D23/229  
D443,029 S \* 5/2001 Kollmann et al. .... D23/229

(76) Inventor: **Hing Fai Gary Tse**, Room 1908-11,  
19/F, Telford House, 16 Wang Hoi  
Road, Kowloon Bay, Kowloon, Hong  
Kong (CN)

\* cited by examiner

*Primary Examiner*—Robin Webster

(\*\*) Term: **14 Years**

(57) **CLAIM**

The ornamental design for a spray head for showers, as shown.

(21) Appl. No.: **29/229,941**

(22) Filed: **May 16, 2005**

**DESCRIPTION**

(51) **LOC (8) Cl.** ..... **23-01**

The claimed spray head for showers is used for releasing drops of water through the small holes.

(52) **U.S. Cl.** ..... **D23/213; D23/229**

FIG. 1 is a front elevational view of a spray head for showers showing my new design;

(58) **Field of Classification Search** ..... D23/213,

D23/223, 229-30; 239/282-3, 462

FIG. 2 is a rear elevational view thereof;

See application file for complete search history.

FIG. 3 is a left side view thereof;

FIG. 4 is a right side view thereof; and,

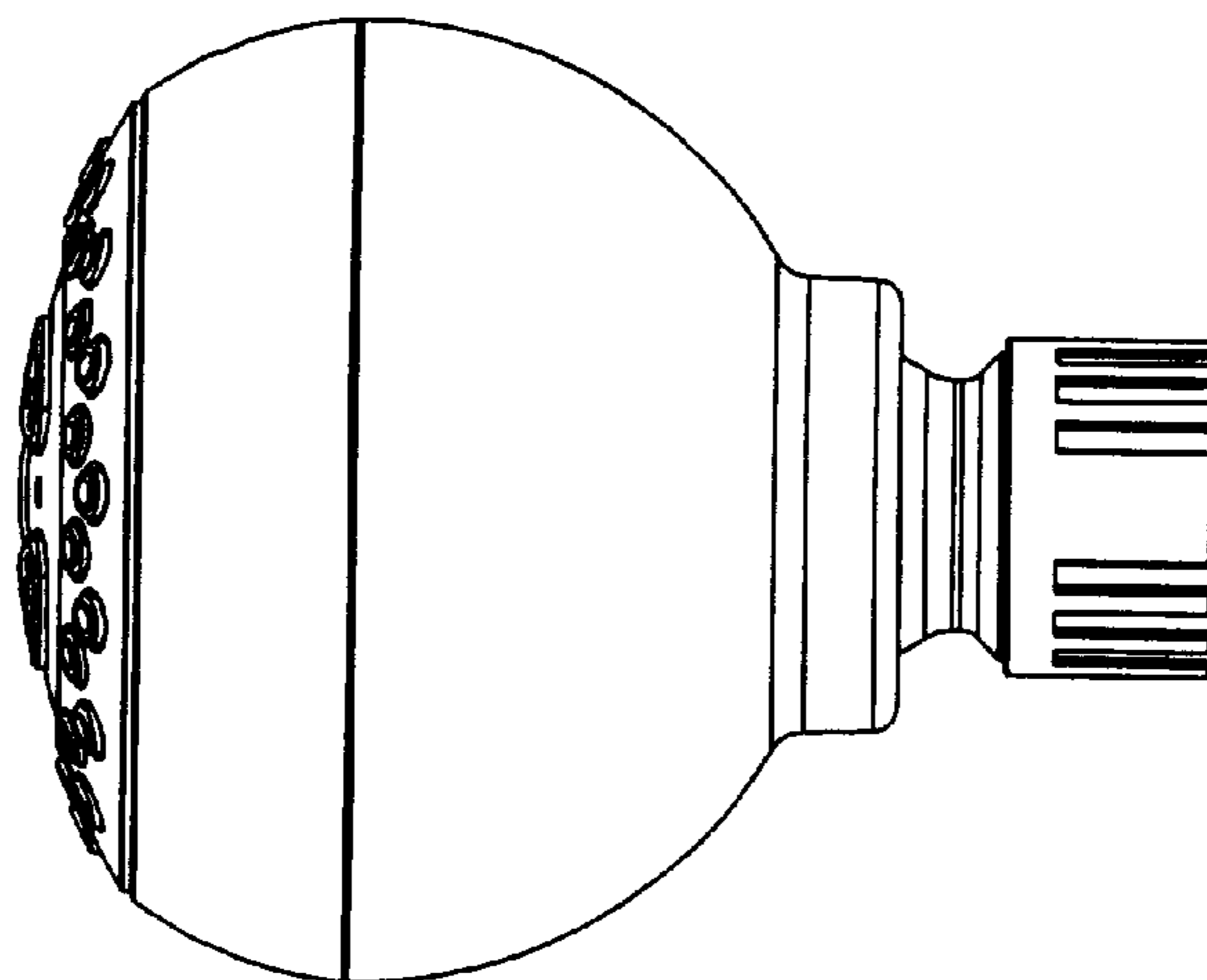
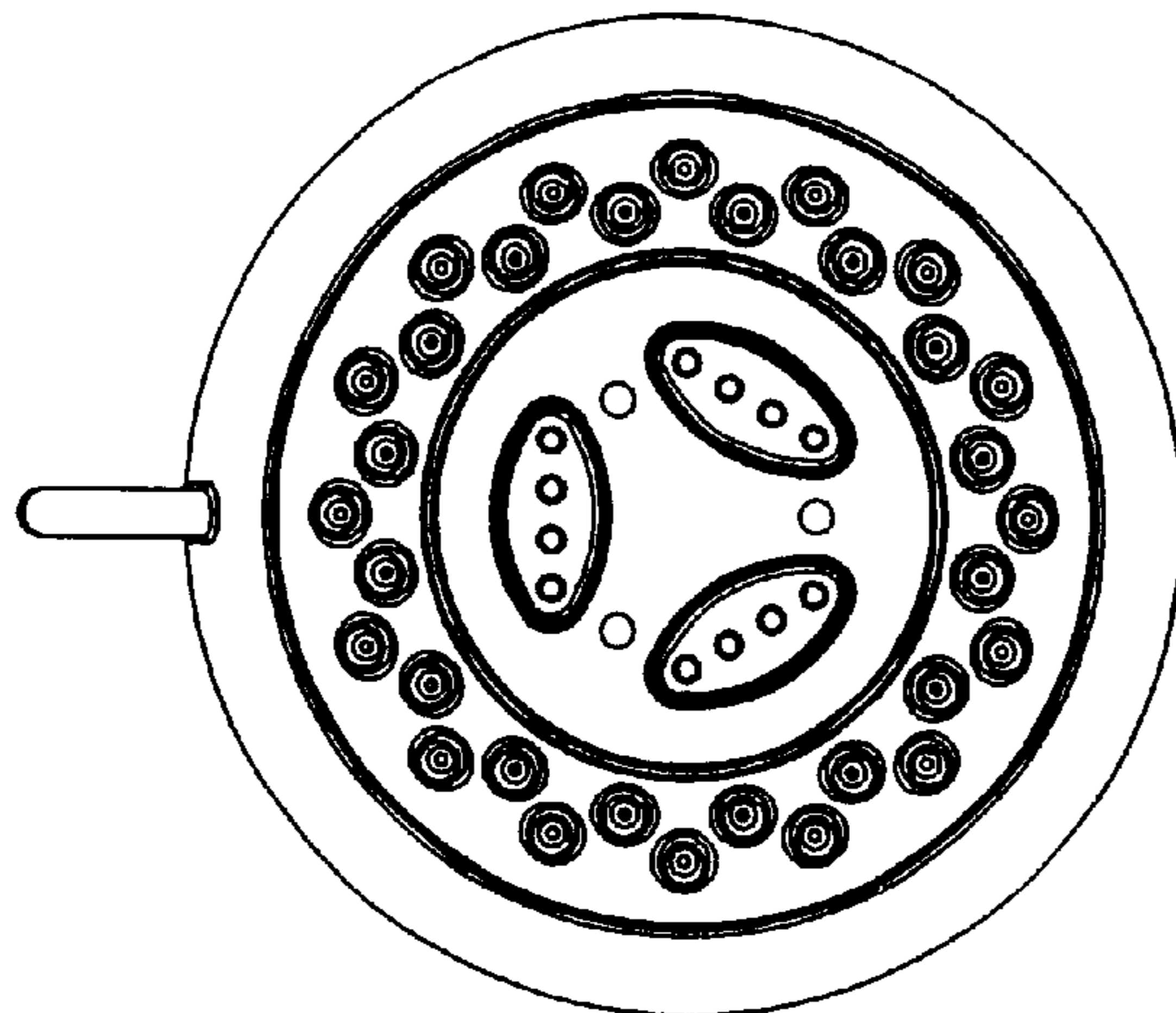
FIG. 5 is a top plan view thereof; the bottom plan view being a mirror image of the top plan view.

(56) **References Cited**

**U.S. PATENT DOCUMENTS**

D426,286 S \* 6/2000 Chan ..... D23/229  
D432,210 S \* 10/2000 Tse ..... D23/229

**1 Claim, 3 Drawing Sheets**



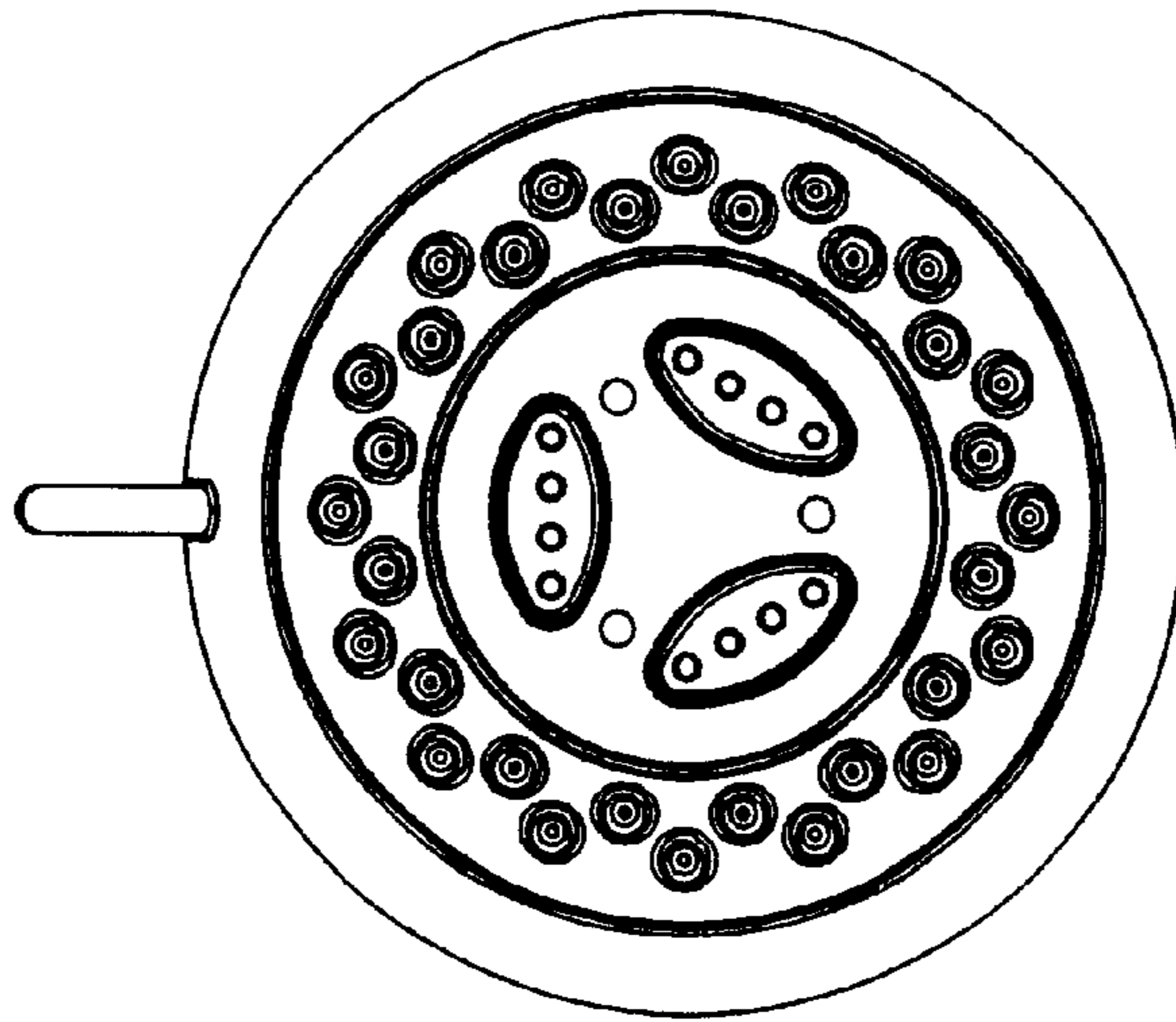


FIG. 1

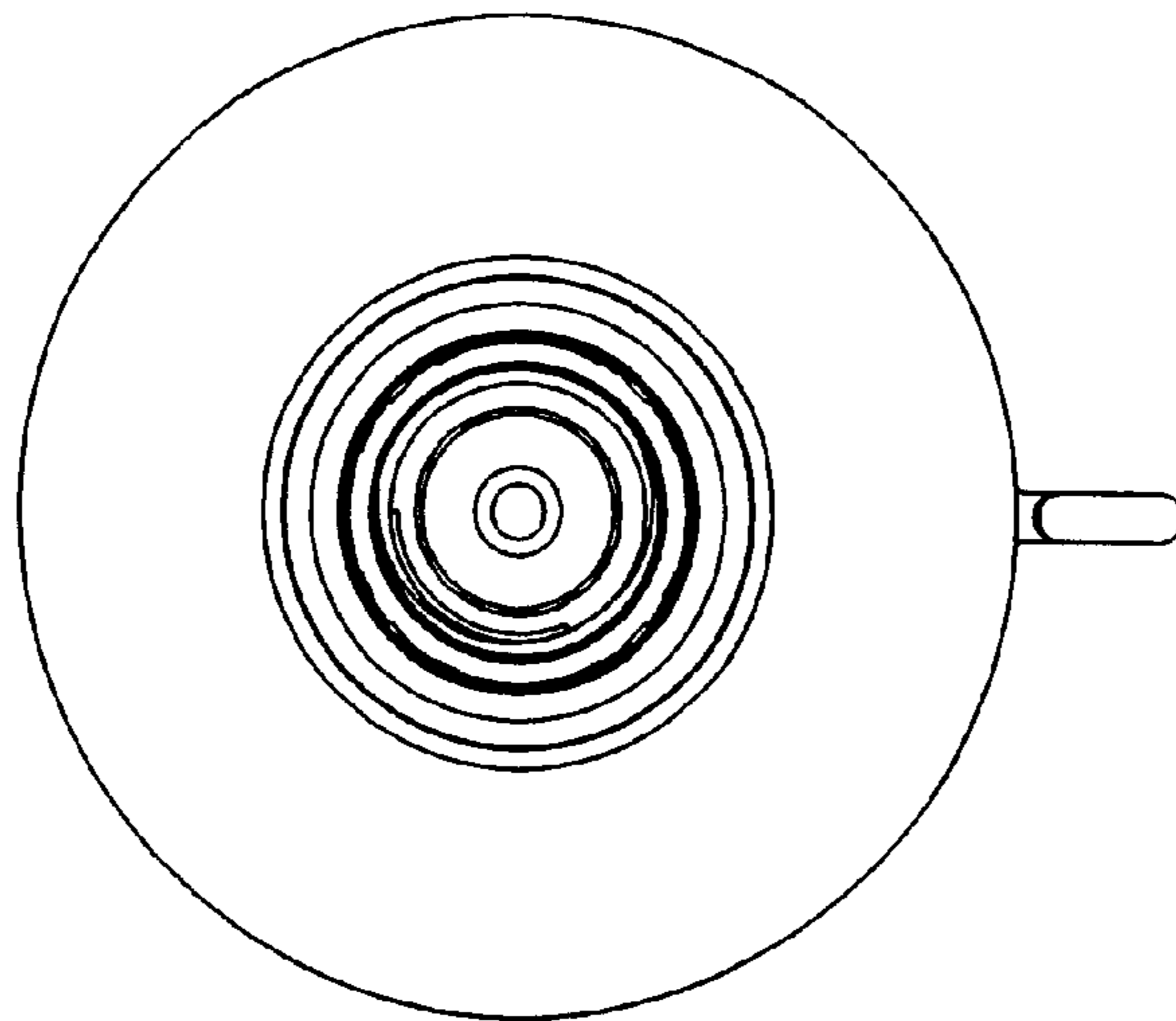


FIG. 2

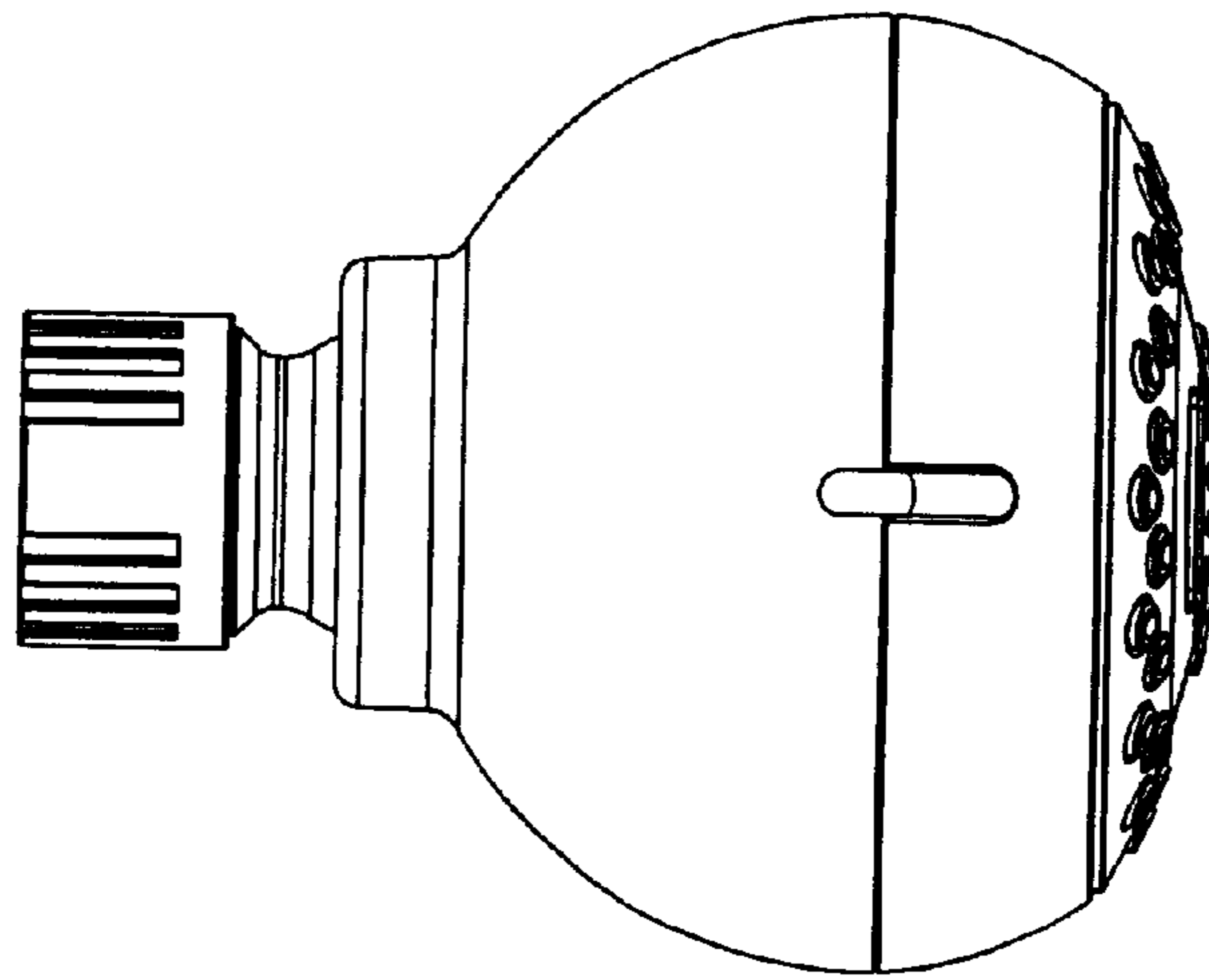


FIG. 3

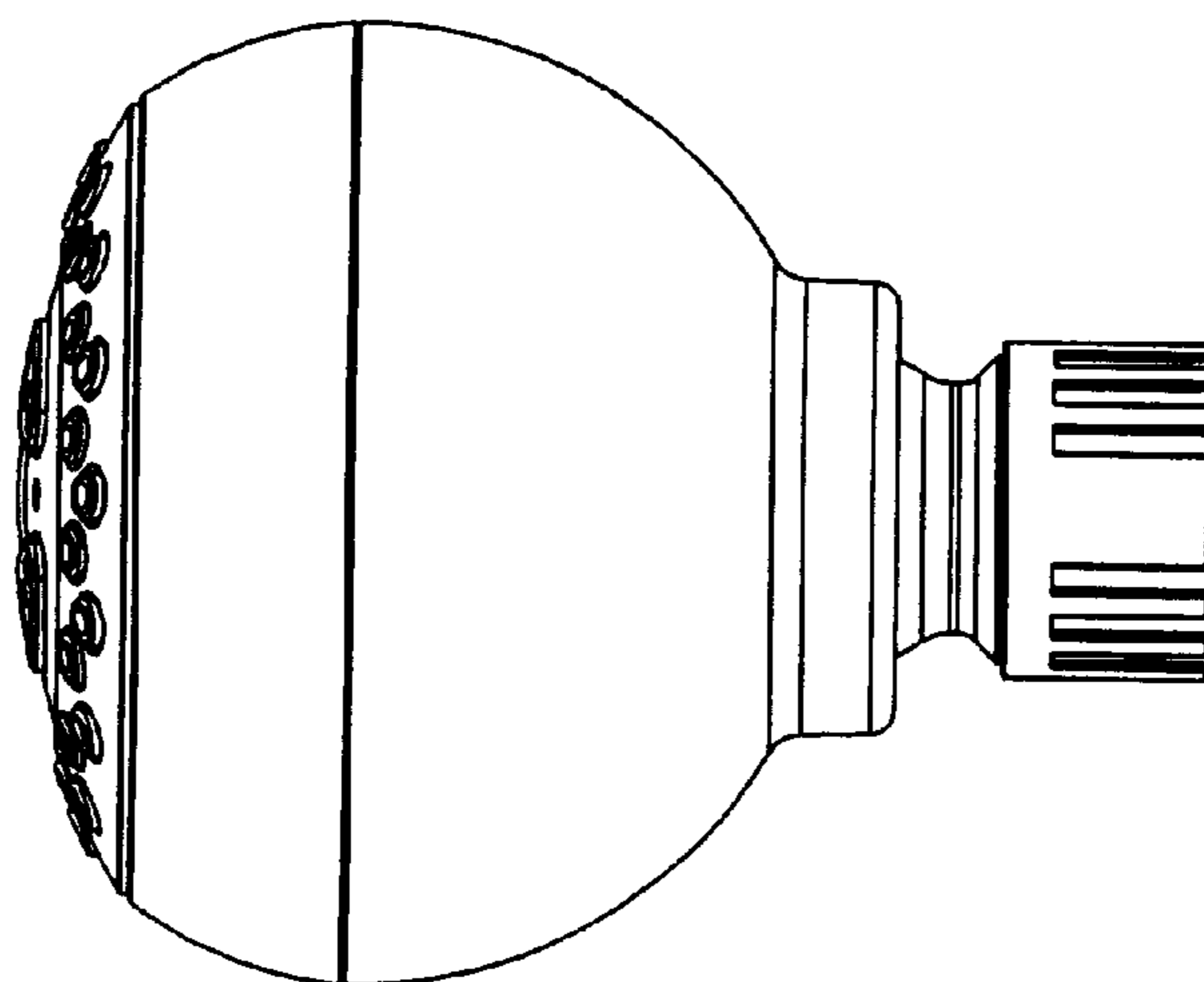


FIG. 4

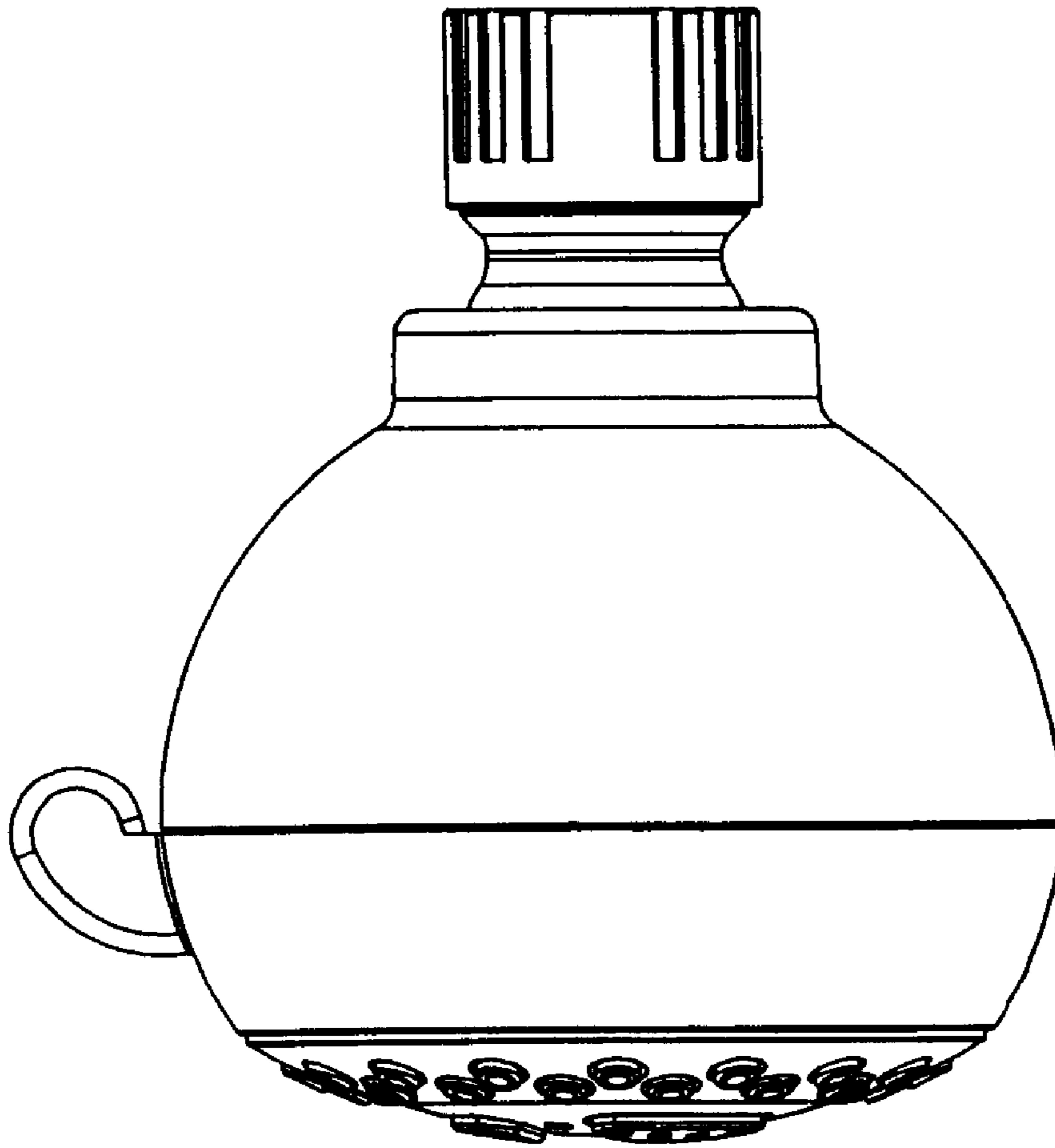


FIG. 5