



US00D530386S

(12) **United States Design Patent**
Betts et al.

(10) **Patent No.:** **US D530,386 S**
(45) **Date of Patent:** **** Oct. 17, 2006**

(54) **DOUBLE BARREL KNIFE GUN**

D400,632 S * 11/1998 Powell D22/101
6,209,250 B1 * 4/2001 Mills 42/53

(75) Inventors: **Richard M. Betts**, Canoga Park, CA
(US); **Steven Gerlach**, Canoga Park,
CA (US)

* cited by examiner

(73) Assignee: **Uncle Dutch Authentic, Inc.**, Canoga
Park, CA (US)

Primary Examiner—Charles A. Rademaker

Assistant Examiner—Melanie Levy

(**) Term: **14 Years**

(74) *Attorney, Agent, or Firm*—Thomas I. Rozsa; Tony D.
Chen

(21) Appl. No.: **29/205,269**

(57) **CLAIM**

(22) Filed: **May 11, 2004**

The ornamental design for double barrel knife gun, as shown
and described.

(51) **LOC (8) Cl.** **22-01**

DESCRIPTION

(52) **U.S. Cl.** **D22/101**

(58) **Field of Classification Search** D22/101,
D22/104, 105, 118; D8/99, 100; 42/53

See application file for complete search history.

FIG. 1 is a perspective view of the double barrel knife gun,
showing our new design;

FIG. 2 is a side elevational view when viewed from the left
side;

FIG. 3 is side elevational view when viewed from the right
side;

FIG. 4 is a top plan view thereof;

FIG. 5 is a bottom plan view thereof;

FIG. 6 is a front elevational view thereof; and,

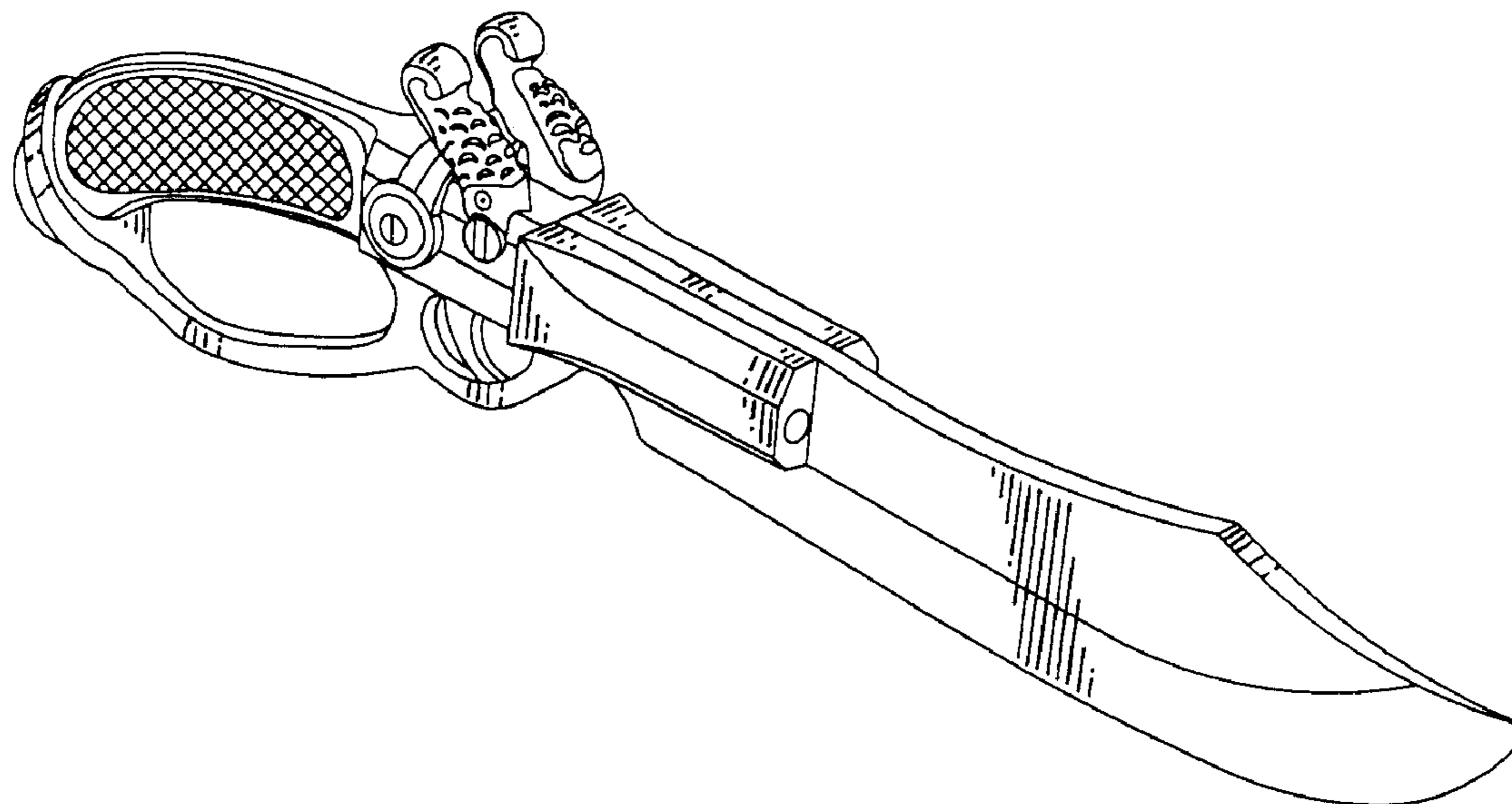
FIG. 7 is a rear elevational view, showing our new design.

(56) **References Cited**

U.S. PATENT DOCUMENTS

254 A * 7/1837 Elgin 42/53
D48,510 S * 2/1916 Williams D22/101
D224,399 S * 7/1972 Spivey D22/118
D275,509 S * 9/1984 Powell D22/101

1 Claim, 2 Drawing Sheets



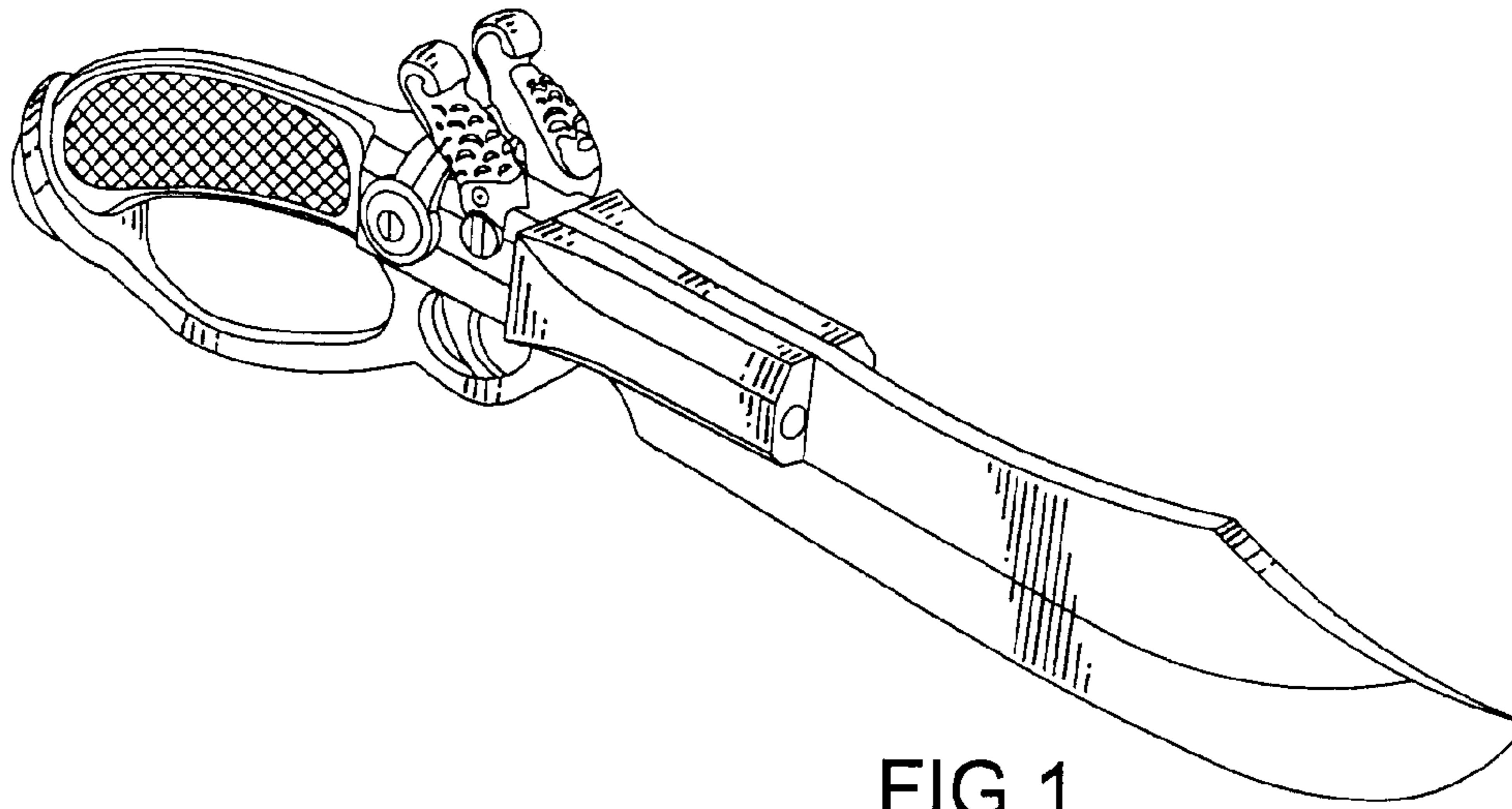


FIG. 1

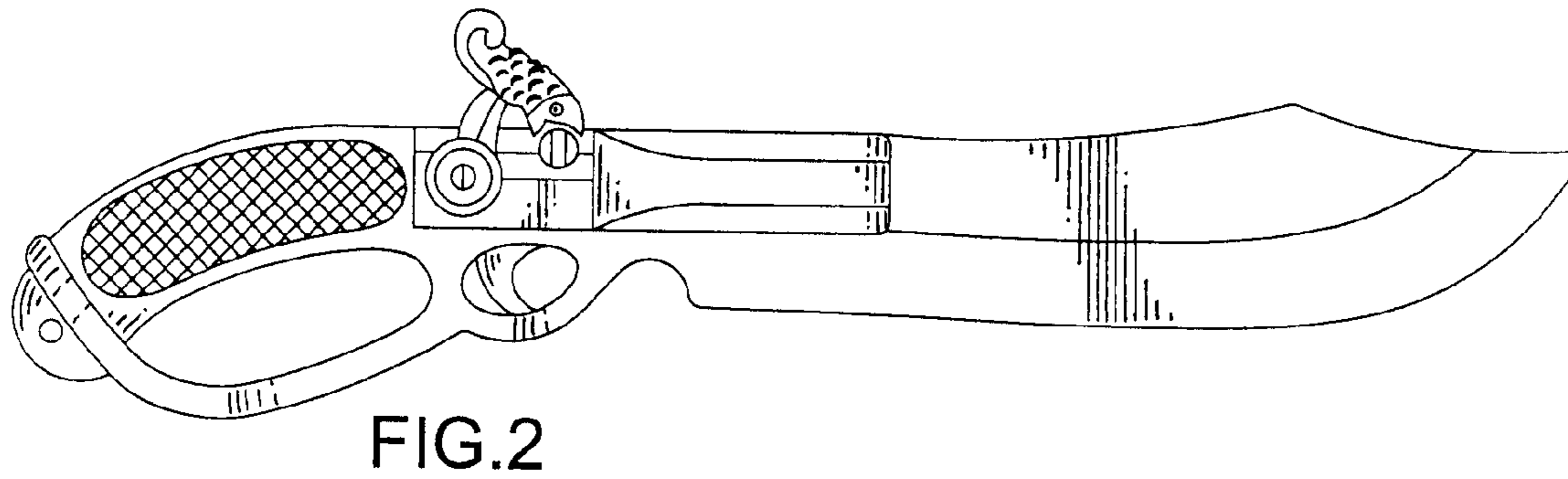


FIG. 2

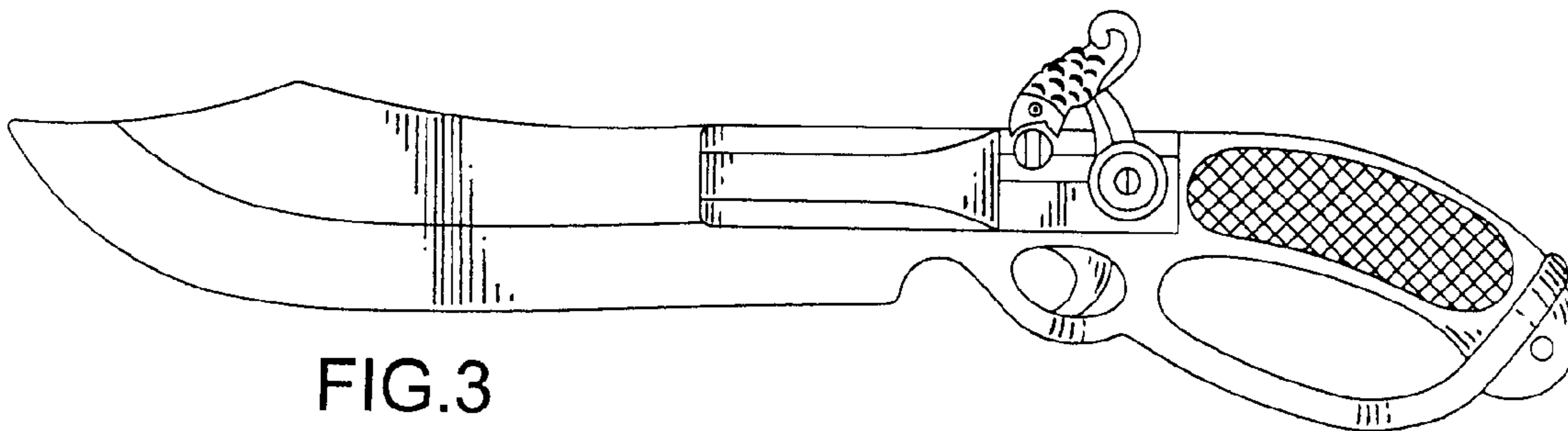


FIG. 3

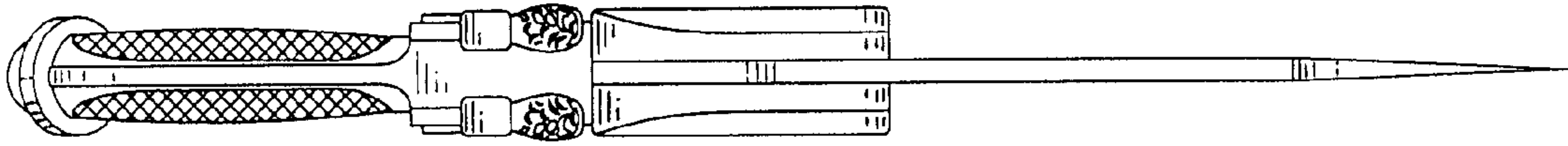


FIG. 4

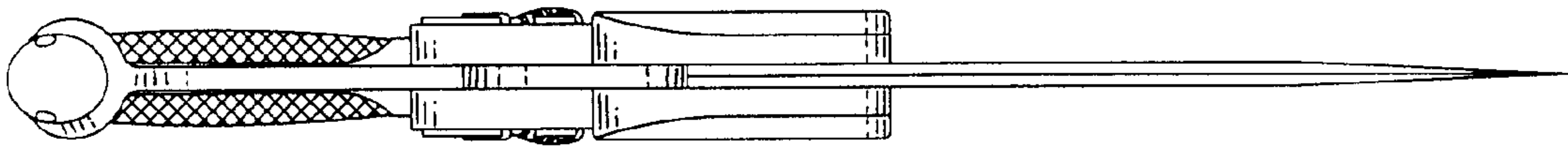


FIG. 5

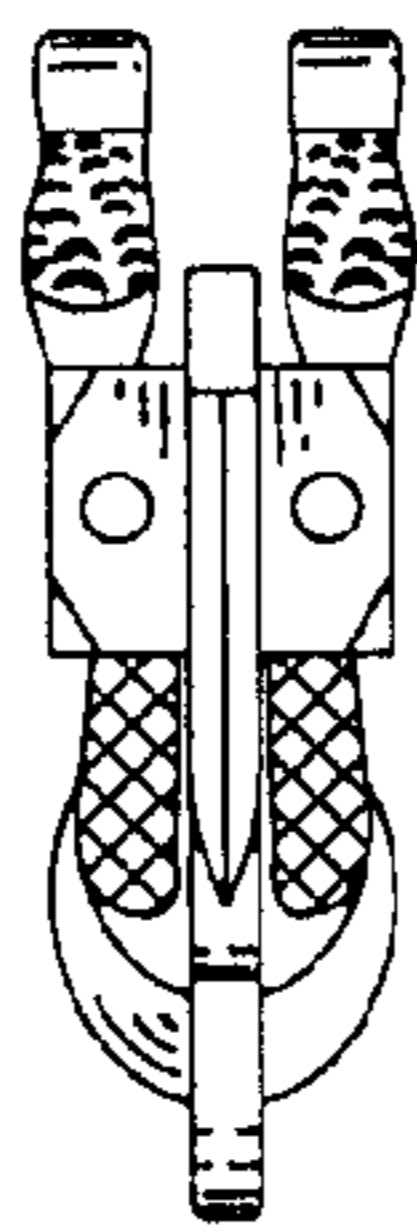


FIG. 6

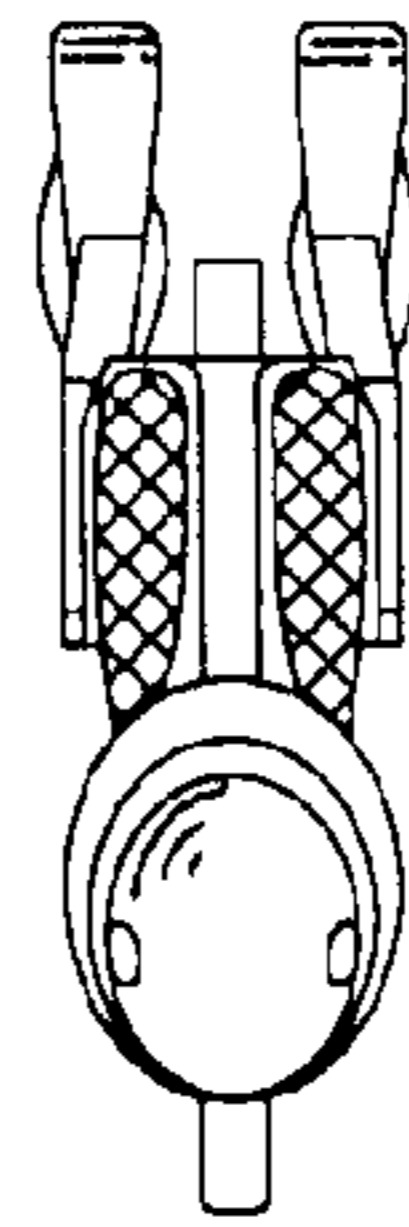


FIG. 7