



US00D530385S

(12) **United States Design Patent**
Ghasedi

(10) **Patent No.:** **US D530,385 S**

(45) **Date of Patent:** **** Oct. 17, 2006**

(54) **SKATEBOARD WITH SUPPORT**

(76) **Inventor:** **Gholam Ghasedi**, 109 S. Cortez Dr.,
Margate, FL (US) 33068

(**) **Term:** **14 Years**

(21) **Appl. No.:** **29/233,280**

(22) **Filed:** **Jul. 1, 2005**

(51) **LOC (8) Cl.** **21-02**

(52) **U.S. Cl.** **D21/765**

(58) **Field of Classification Search** D21/423,
D21/760, 765, 771, 779; 280/87.01, 87.021,
280/87.03, 87.041, 87.042, 57.05, 11.115,
280/11.27, 11.28; 180/180, 181
See application file for complete search history.

(56) **References Cited**

U.S. PATENT DOCUMENTS

1,728,063	A	*	9/1929	James	280/11.233
2,212,589	A	*	8/1940	Decker	280/11.25
D231,999	S	*	7/1974	Engman	D21/763
D240,952	S	*	8/1976	Roche	D21/763
6,199,881	B1	*	3/2001	Wood et al.	280/87.042

D473,906	S	*	4/2003	Schmid	D21/765
D492,975	S	*	7/2004	Wilson	D21/765
D502,978	S	*	3/2005	Edwards	D21/760
2004/0094915	A1	*	5/2004	Warren	280/11.19

* cited by examiner

Primary Examiner—Holly Baynham
Assistant Examiner—Cynthia M. Chin

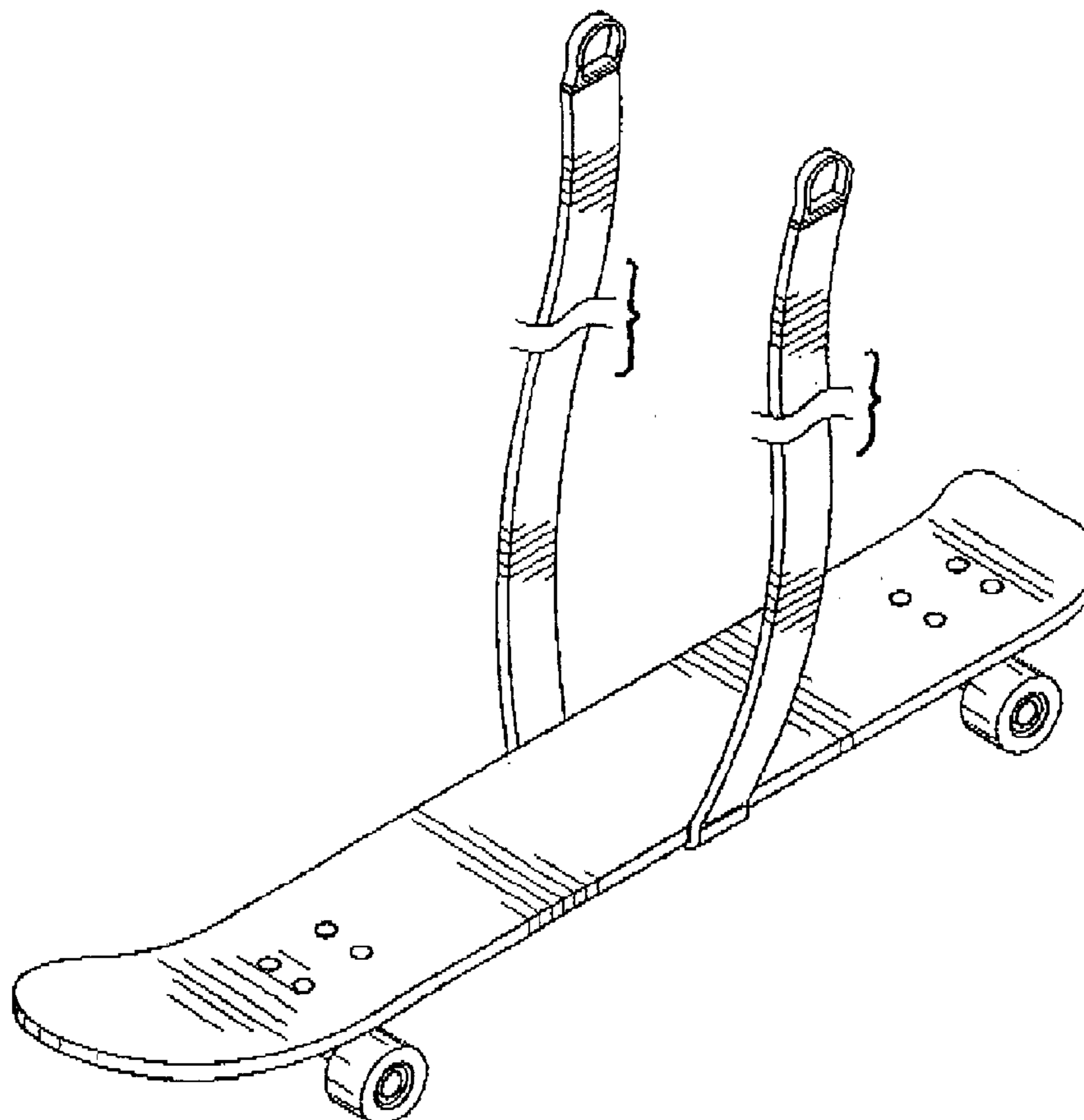
(57) **CLAIM**

The ornamental design for a skateboard with support, as shown and described.

DESCRIPTION

FIG. 1 is a front view of the skateboard with support;
FIG. 2 is a back view of the skateboard with support;
FIG. 3 is a left side view or right side view of the skateboard with support;
FIG. 4 is a top view of the skateboard with support;
FIG. 5 is a bottom view of the skateboard with support; and,
FIG. 6 is a perspective view of the skateboard with support.
Portions of the claimed design are shown separated and bound by a bracket to indicate indeterminate length.

1 Claim, 2 Drawing Sheets



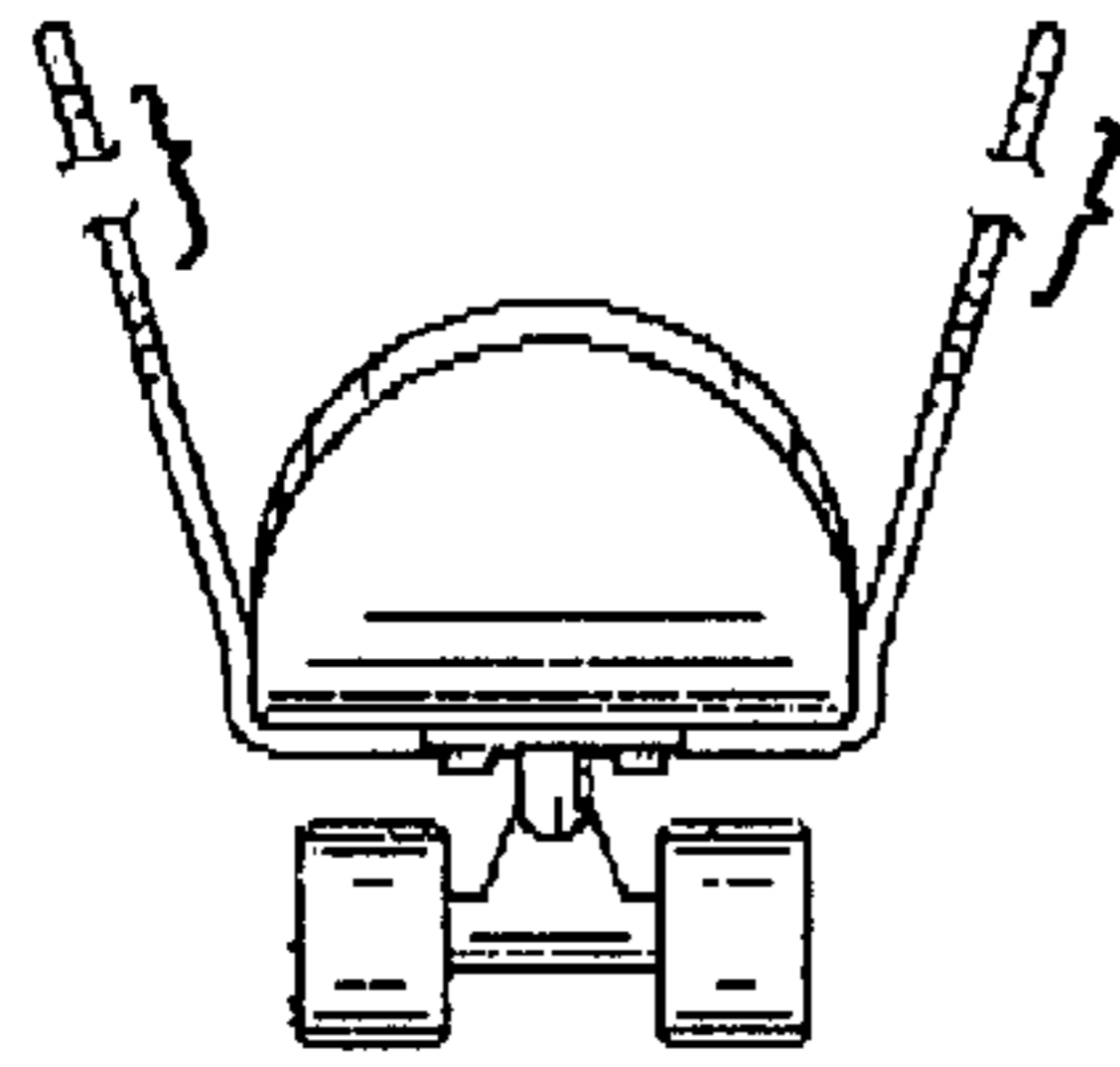


FIG. 1

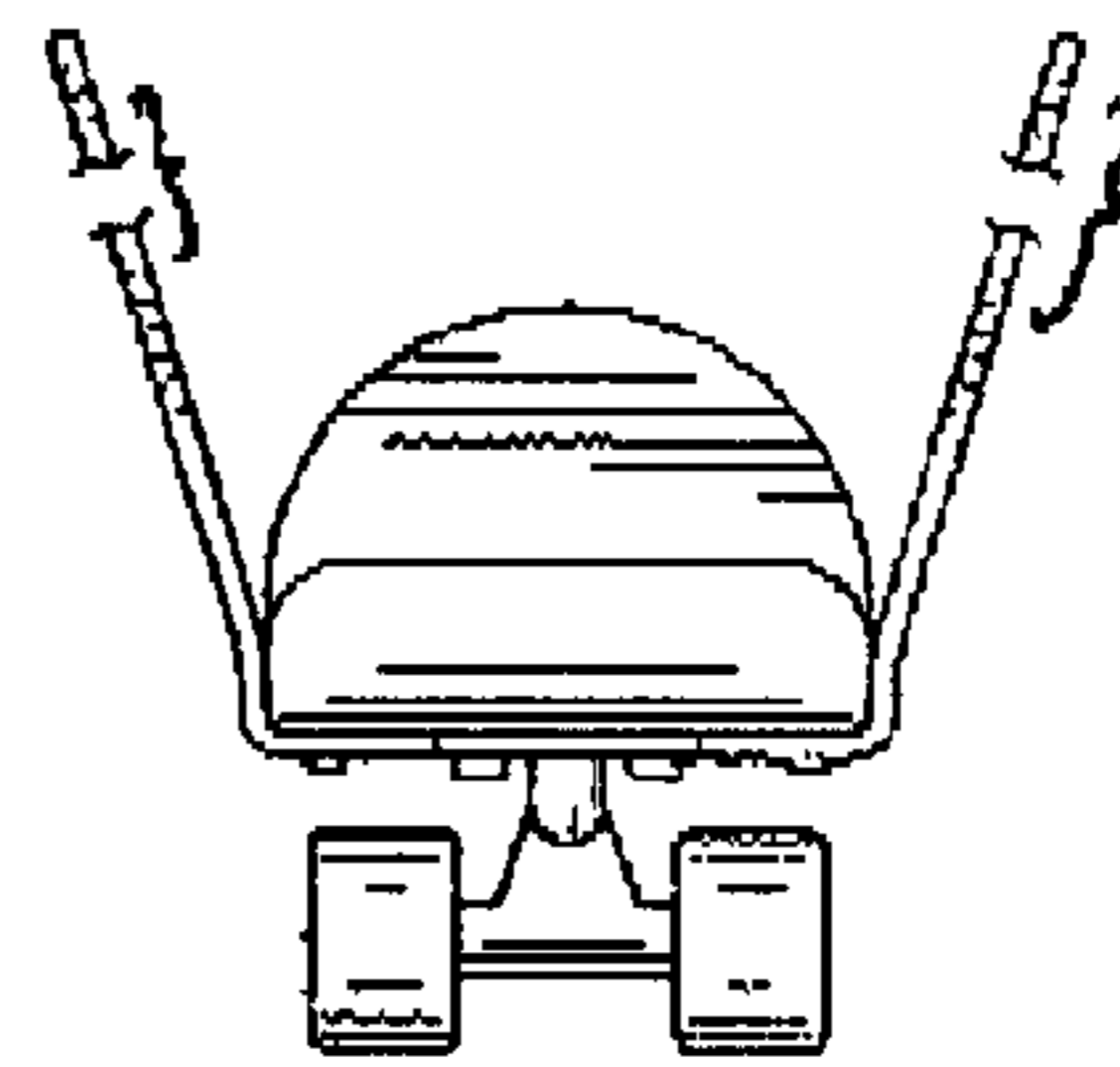


FIG. 2

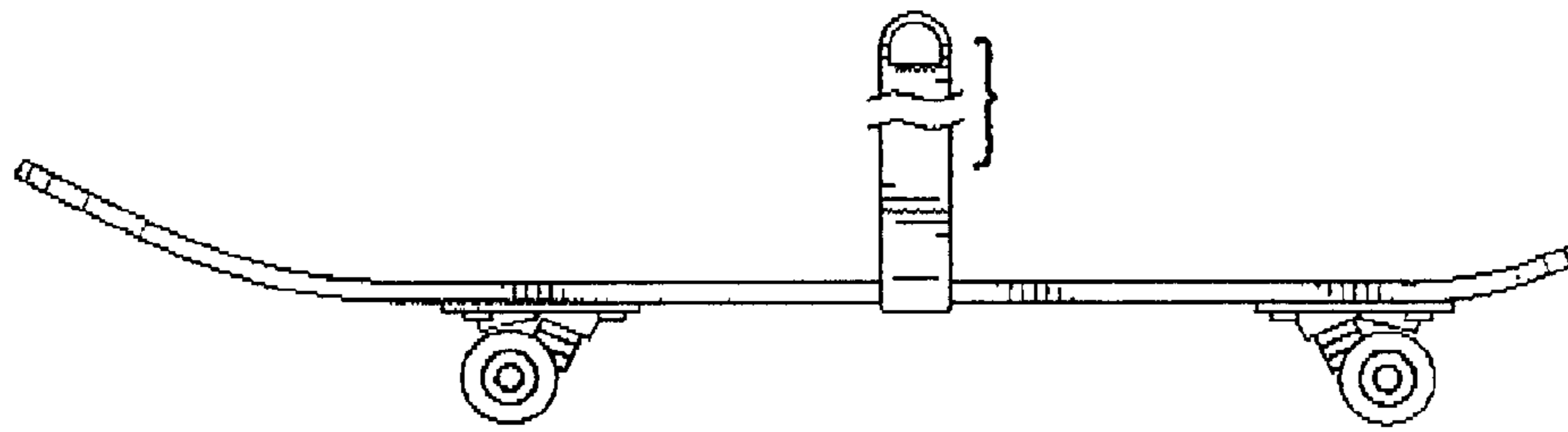


FIG. 3

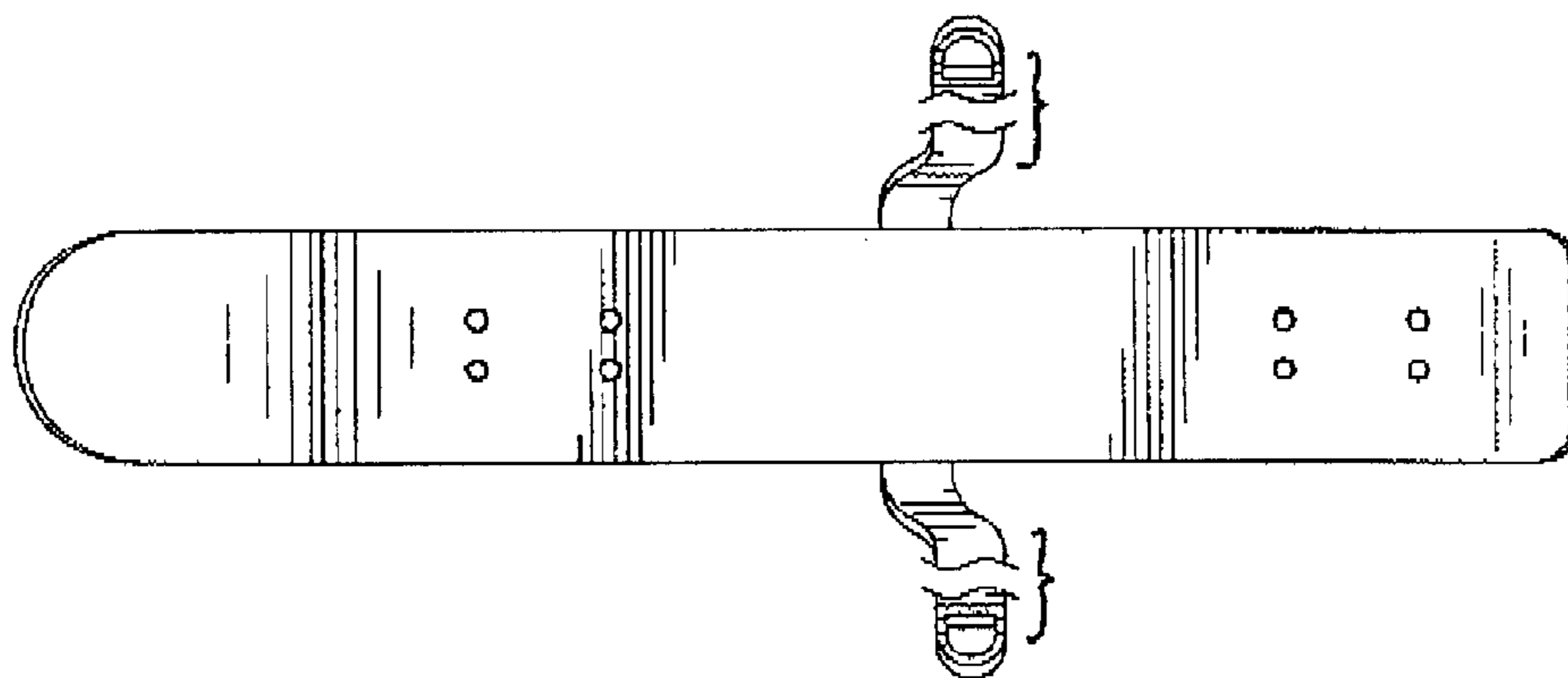


FIG. 4

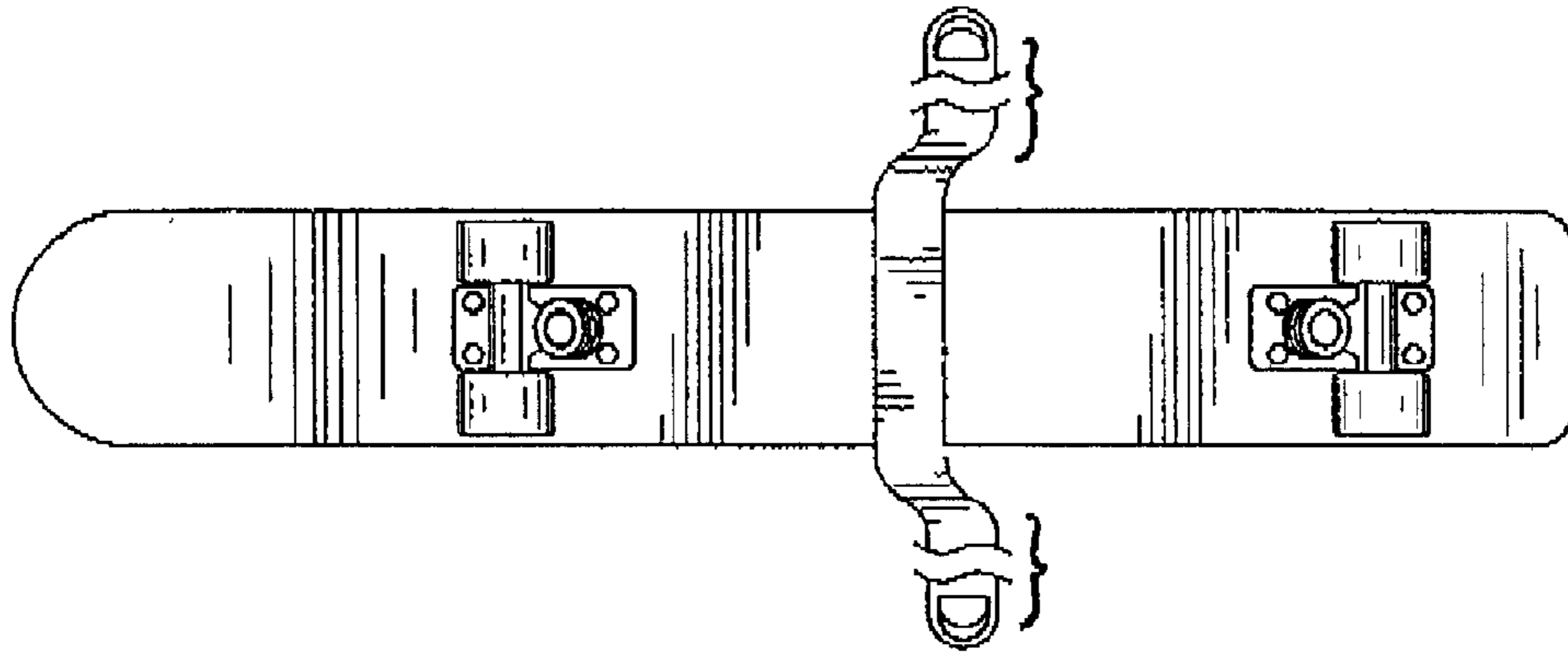


FIG. 5

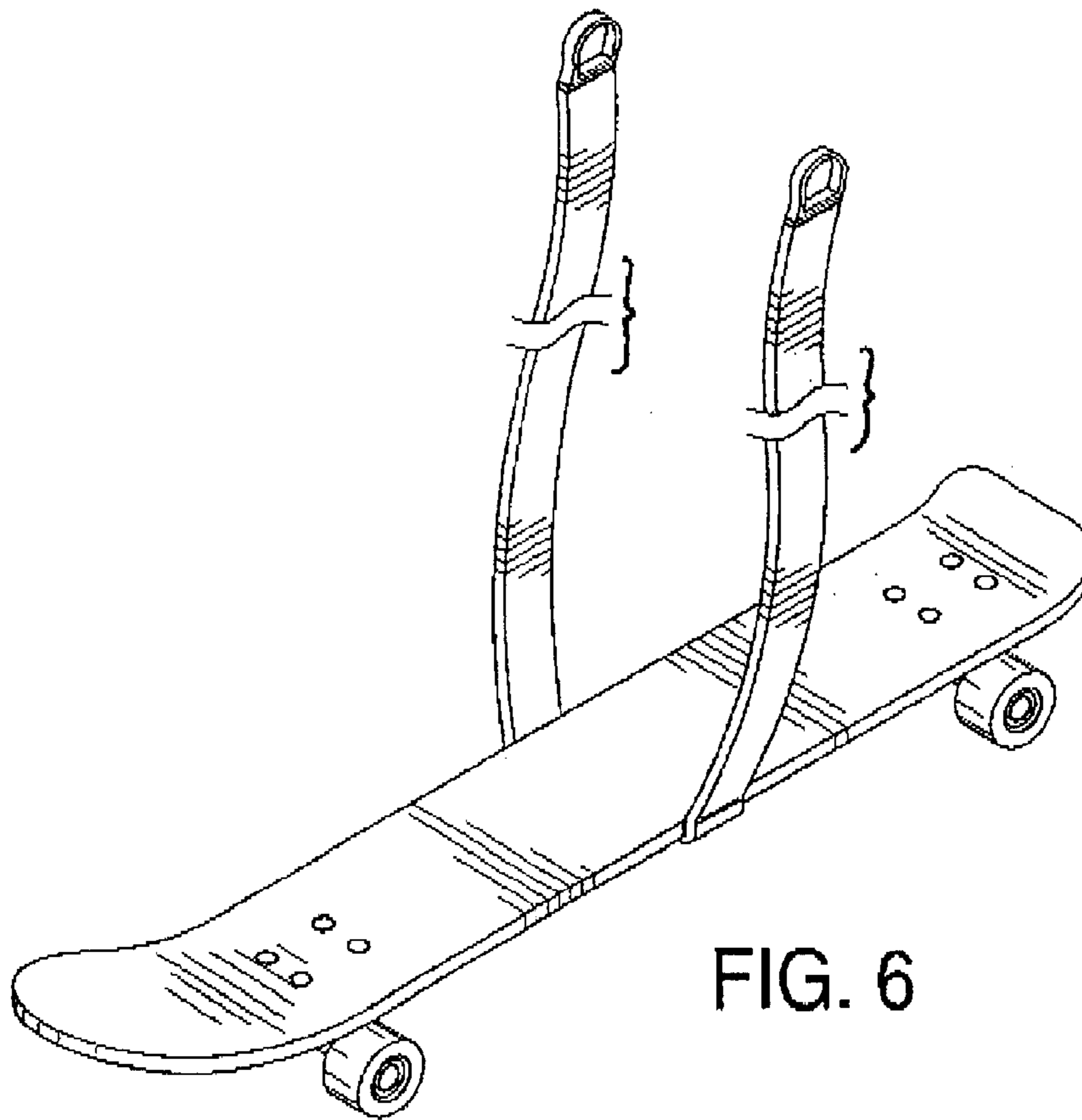


FIG. 6