



US00D530384S

(12) **United States Design Patent**
Harrington

(10) **Patent No.:** **US D530,384 S**

(45) **Date of Patent:** **** Oct. 17, 2006**

(54) **SKATE BOARD WITH BATTERY-POWERED ROPE LIGHT PERIPHERY**

(76) Inventor: **Keith R. Harrington**, 310 Mathilda Dr., Apt. 5, Goleta, CA (US) 93117

(**) Term: **14 Years**

(21) Appl. No.: **29/228,247**

(22) Filed: **Apr. 22, 2005**

(51) **LOC (8) Cl.** **21-02**

(52) **U.S. Cl.** **D21/765**

(58) **Field of Classification Search** D21/423,
D21/760, 765, 771, 779; 280/87.01, 87.021,
280/87.03, 87.041, 87.042, 57.05, 11.115,
280/11.27, 11.28; 180/180, 181
See application file for complete search history.

(56) **References Cited**

U.S. PATENT DOCUMENTS

4,285,514 A	8/1981	Romero	
4,991,066 A	2/1991	McCowan	
D316,287 S	4/1991	Incze et al.	
5,004,256 A	4/1991	Won	
5,067,058 A	11/1991	Standley	
D326,701 S	* 6/1992	DelBosque et al. D21/765
5,132,883 A	7/1992	La Lumandier	

D355,464 S	* 2/1995	Wilson et al. D21/779
5,474,509 A	12/1995	Hodgdon	
D398,692 S	* 9/1998	Wilson et al. D21/765
6,170,840 B1	1/2001	Mathias	
6,621,419 B1	9/2003	Chiu	
D509,871 S	* 9/2005	Lee D21/765

* cited by examiner

Primary Examiner—Holly Baynham

Assistant Examiner—Cynthia M. Chin

(74) *Attorney, Agent, or Firm*—Donald R. Schoonover

(57) **CLAIM**

I claim the ornamental design for a skate board with battery-powered rope light periphery, as shown and described.

DESCRIPTION

FIG. 1 is a bottom perspective view of a skate board with battery-powered rope light periphery showing my new design;

FIG. 2 is a rear elevational view thereof;

FIG. 3 is a front elevational view thereof;

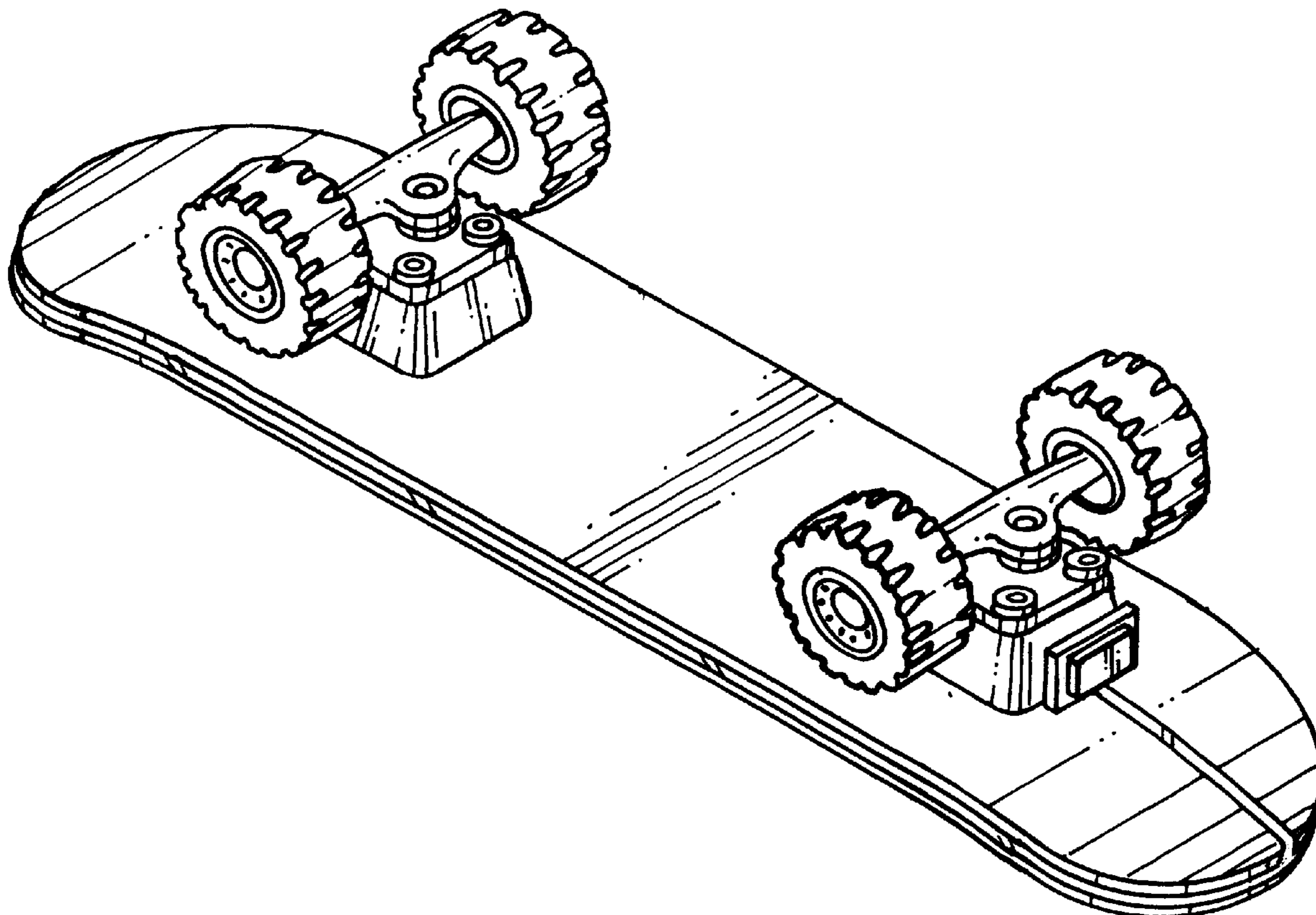
FIG. 4 is a left side elevational view thereof;

FIG. 5 is a right side elevational view thereof;

FIG. 6 is a top plan view thereof; and,

FIG. 7 is a bottom plan view thereof;

1 Claim, 4 Drawing Sheets



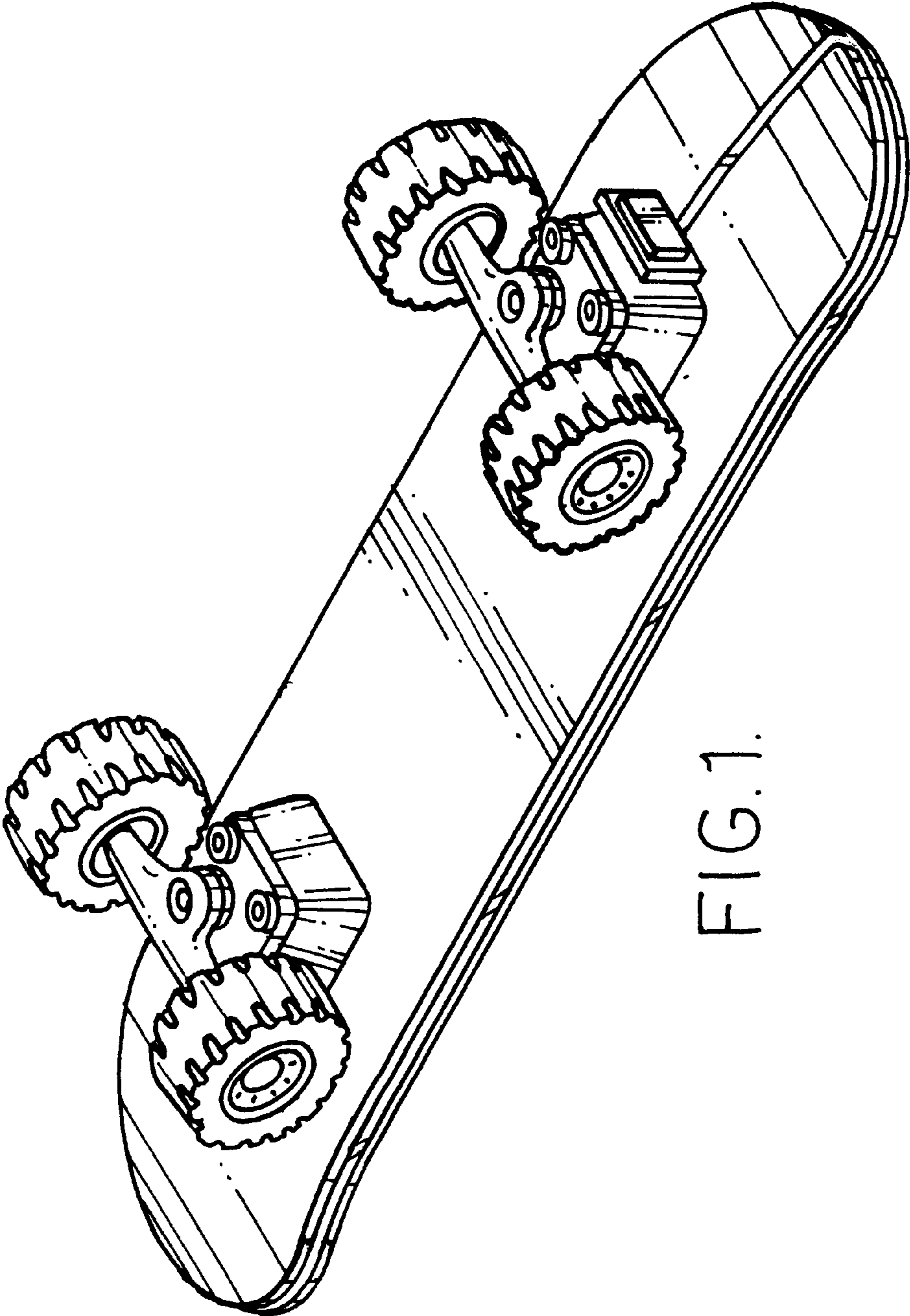


FIG. 1.

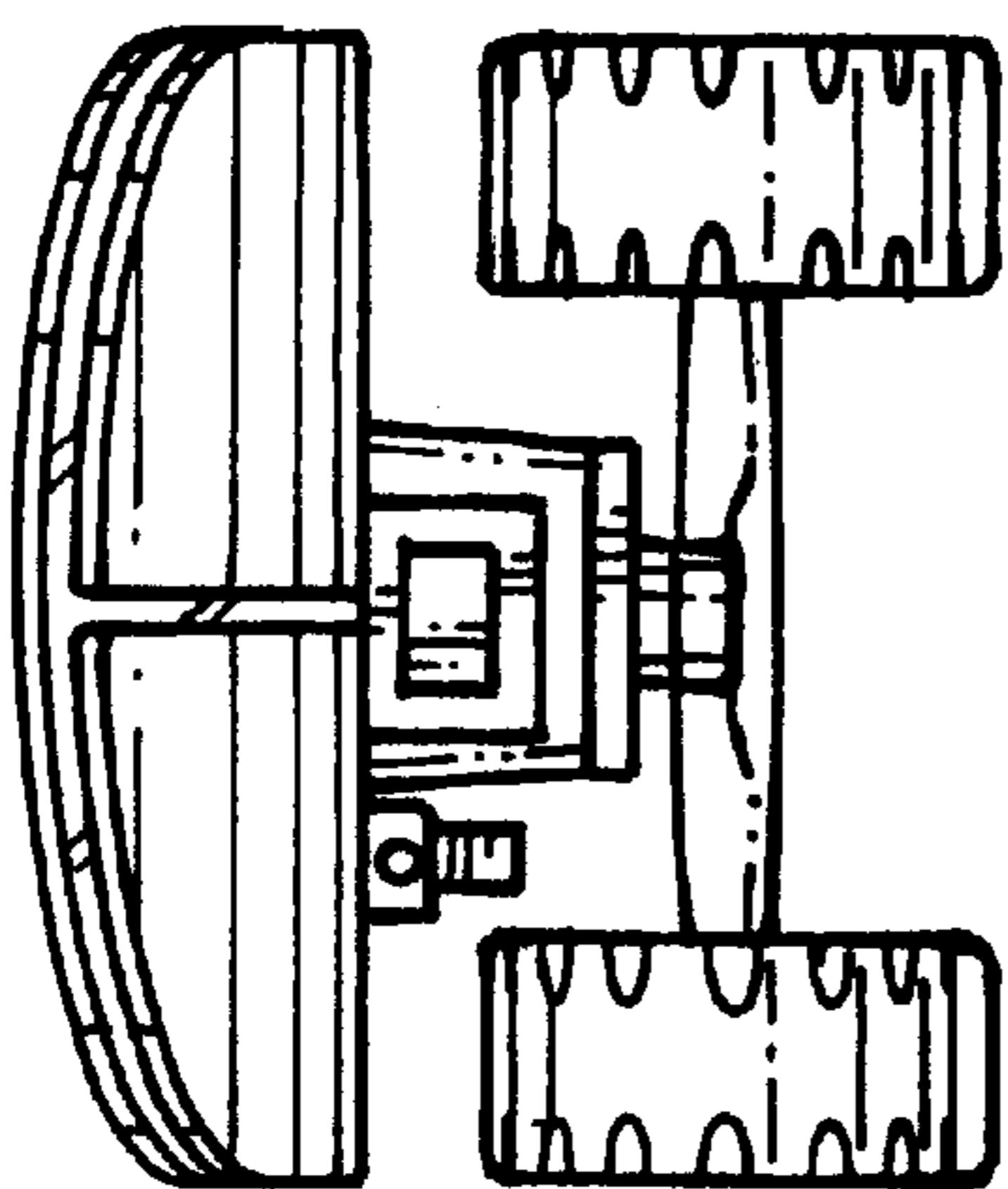


FIG. 2.

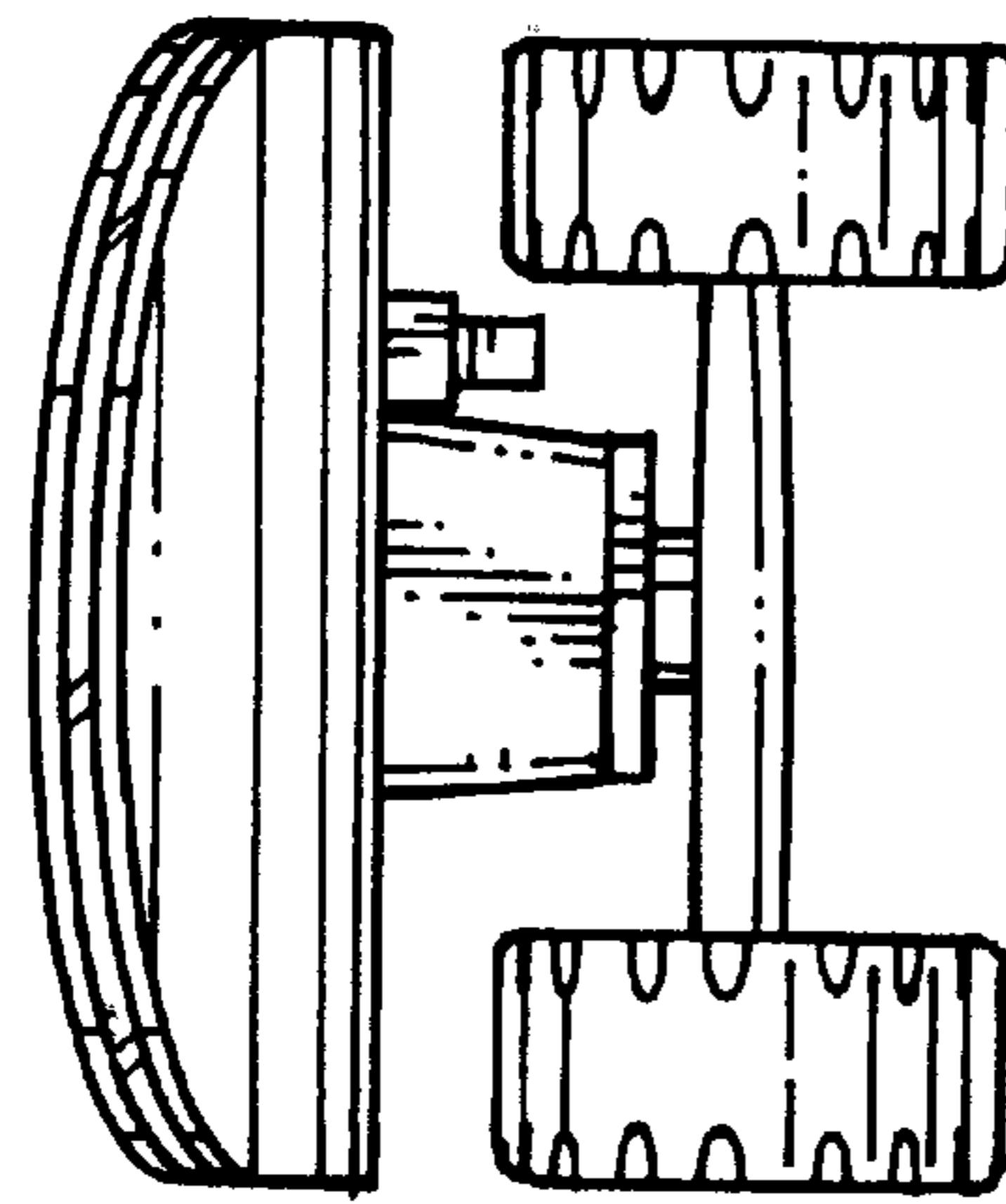


FIG. 3.

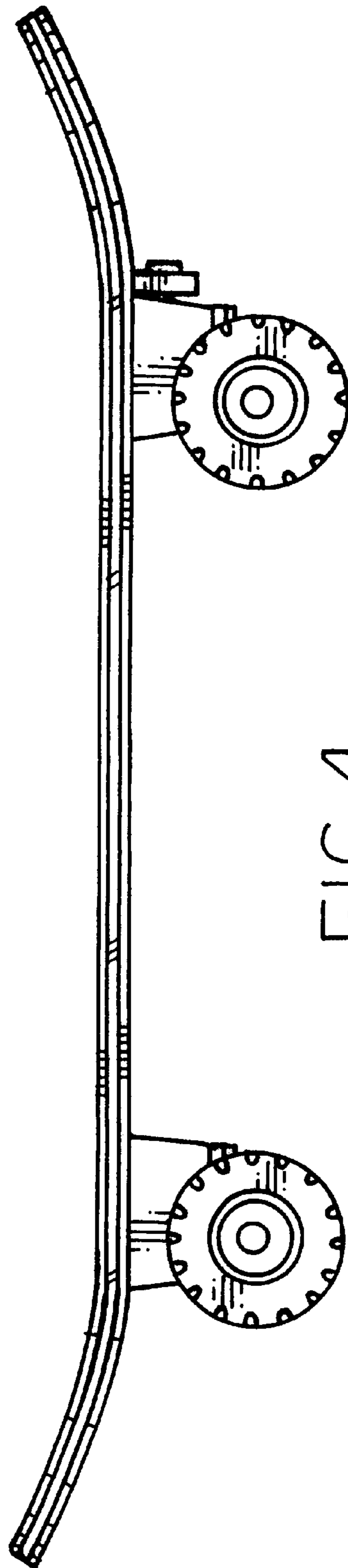


FIG. 4.

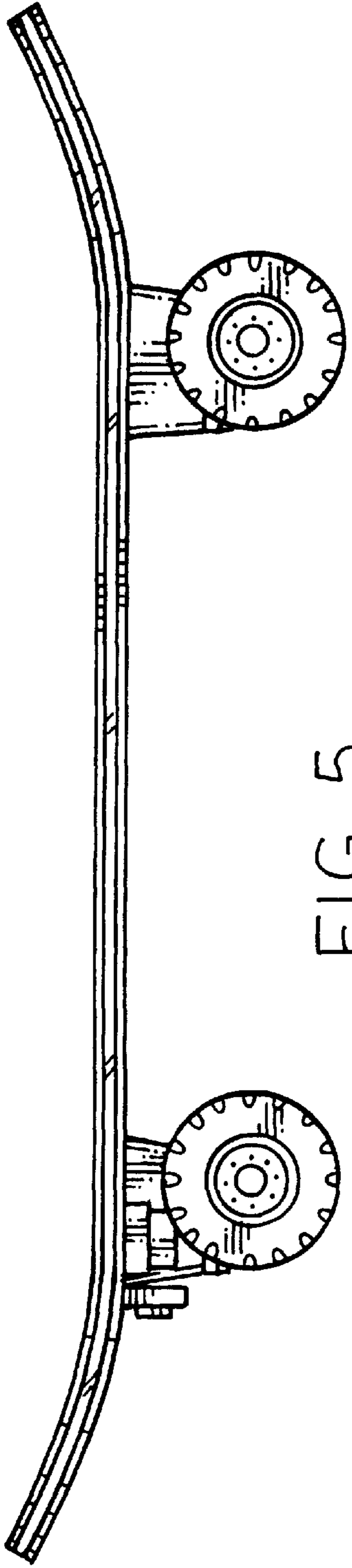


FIG. 5.

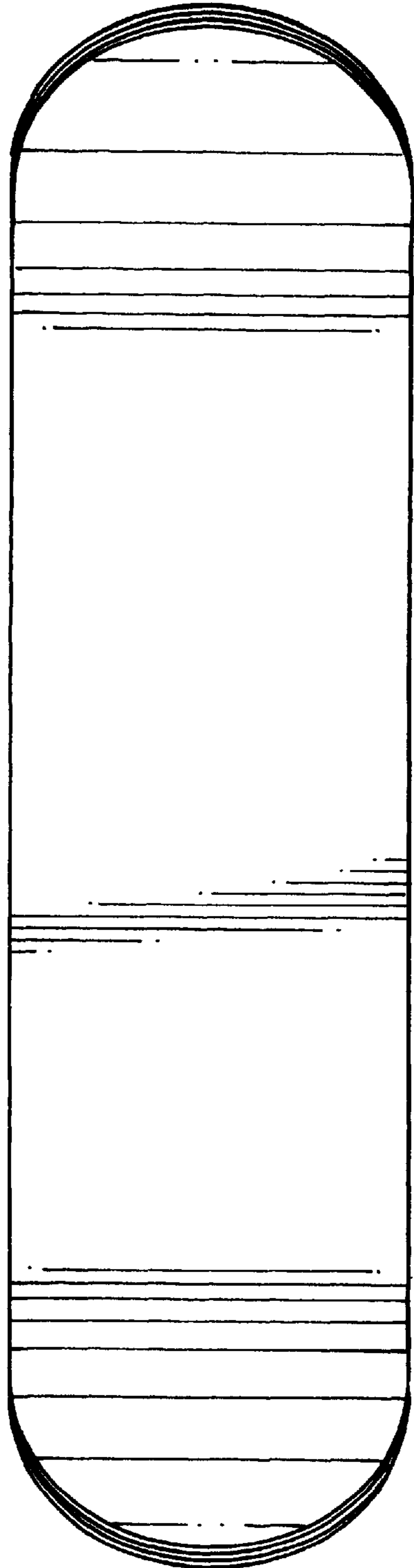


FIG. 6.

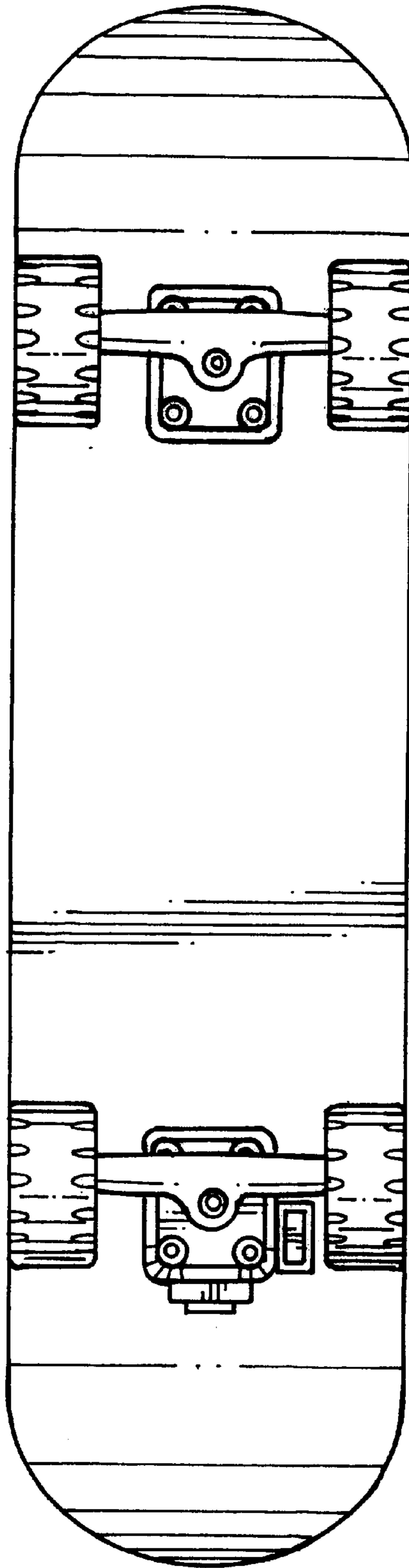


FIG. 7.