

US00D530380S

(12) **United States Design Patent**
Weaver et al.

(10) **Patent No.:** **US D530,380 S**

(45) **Date of Patent:** **** Oct. 17, 2006**

(54) **ADJUSTMENT ARM**

(75) Inventors: **James J. Weaver**, Dunellen, NJ (US);
Gong Shi Ming, Nan Chong Town
(CN)

(73) Assignee: **Atlas O, LLC**, Hillside, NJ (US)

(**) Term: **14 Years**

(21) Appl. No.: **29/226,468**

(22) Filed: **Mar. 29, 2005**

(51) **LOC (8) Cl.** **21-01**

(52) **U.S. Cl.** **D21/561**

(58) **Field of Classification Search** D15/33,
D15/28; D21/533, 534, 540, 541, 561, 562;
105/218.1, 222, 157.1, 1.4, 157.2, 1.5, 3,
105/4.1, 463.1, 167; 213/75 TC, 15, 66, 67 A,
213/171, 211, 76-99, 75 R
See application file for complete search history.

(56) **References Cited**

U.S. PATENT DOCUMENTS

875,134 A	*	12/1907	Thorn et al.	213/94
2,987,851 A	*	6/1961	Bonanno	105/157.2
3,140,783 A	*	7/1964	Kretzmer, Jr. et al.	213/75 TC
3,140,784 A	*	7/1964	Goldbeck et al.	213/75 TC
3,987,907 A	*	10/1976	Larsen	213/61

4,032,017 A	*	6/1977	Larsen	213/61
4,512,483 A	*	4/1985	Crossley et al.	213/75 TC
5,775,525 A	*	7/1998	Brill	213/75 TC
D414,533 S	*	9/1999	Edwards	D21/561

* cited by examiner

Primary Examiner—Stella Reid

Assistant Examiner—Mark Goodwin

(74) *Attorney, Agent, or Firm*—Akin Gump Strauss Hauer
& Feld, LLC

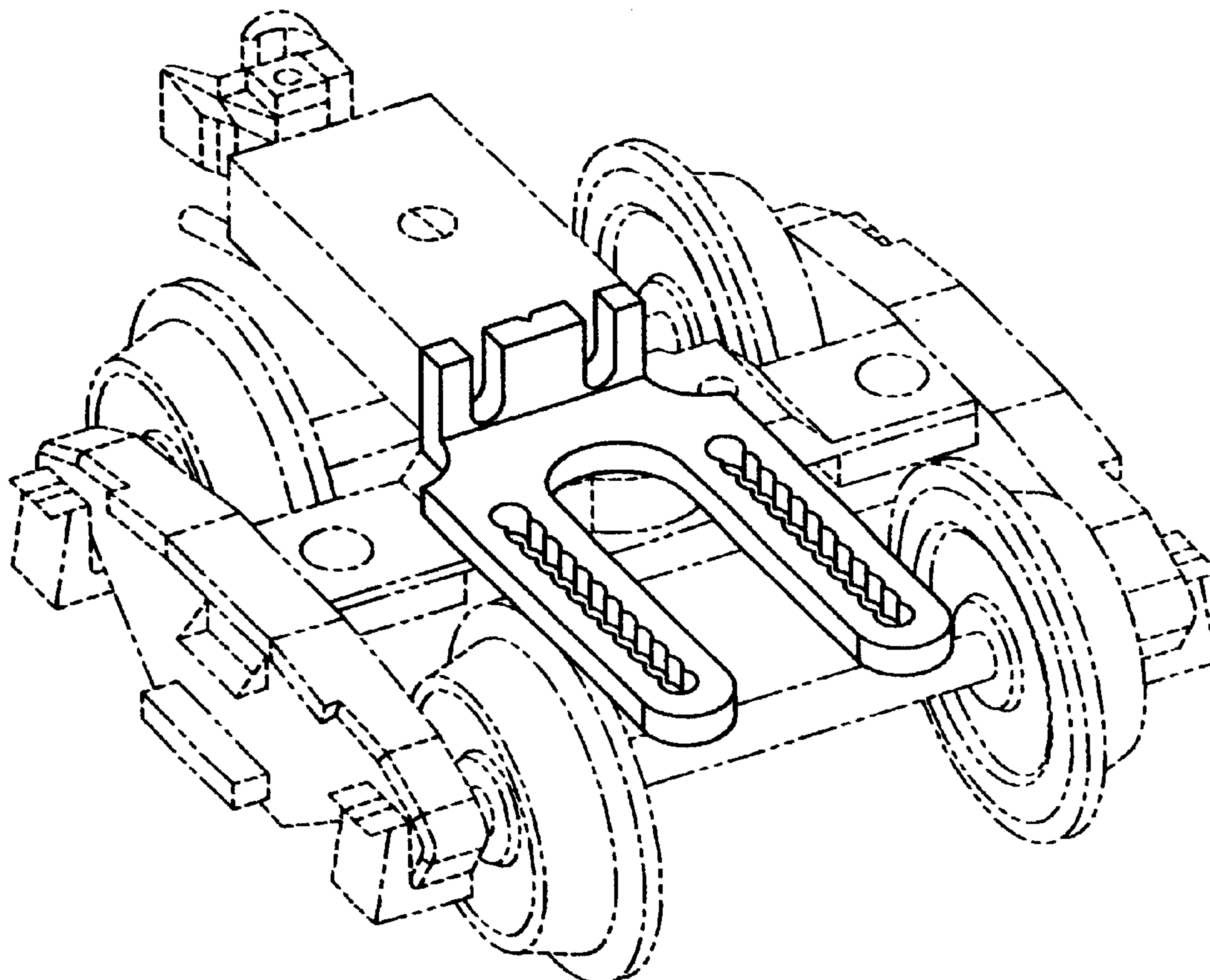
(57) **CLAIM**

The ornamental design for an adjustment arm, as shown and described.

DESCRIPTION

FIG. 1 is a right rear perspective view of an adjustment arm in accordance with our new design;
FIG. 2 is a front elevational view thereof;
FIG. 3 is a rear elevational view thereof;
FIG. 4 is a right-side elevational view thereof, a left-side elevational view thereof being a mirror image;
FIG. 5 is a top plan view thereof; and,
FIG. 6 is a bottom plan view thereof.
The broken line showing of the model railroad truck assembly and coupler in FIG. 1 is for illustrative purposes only and forms no part of the claimed design.

1 Claim, 3 Drawing Sheets



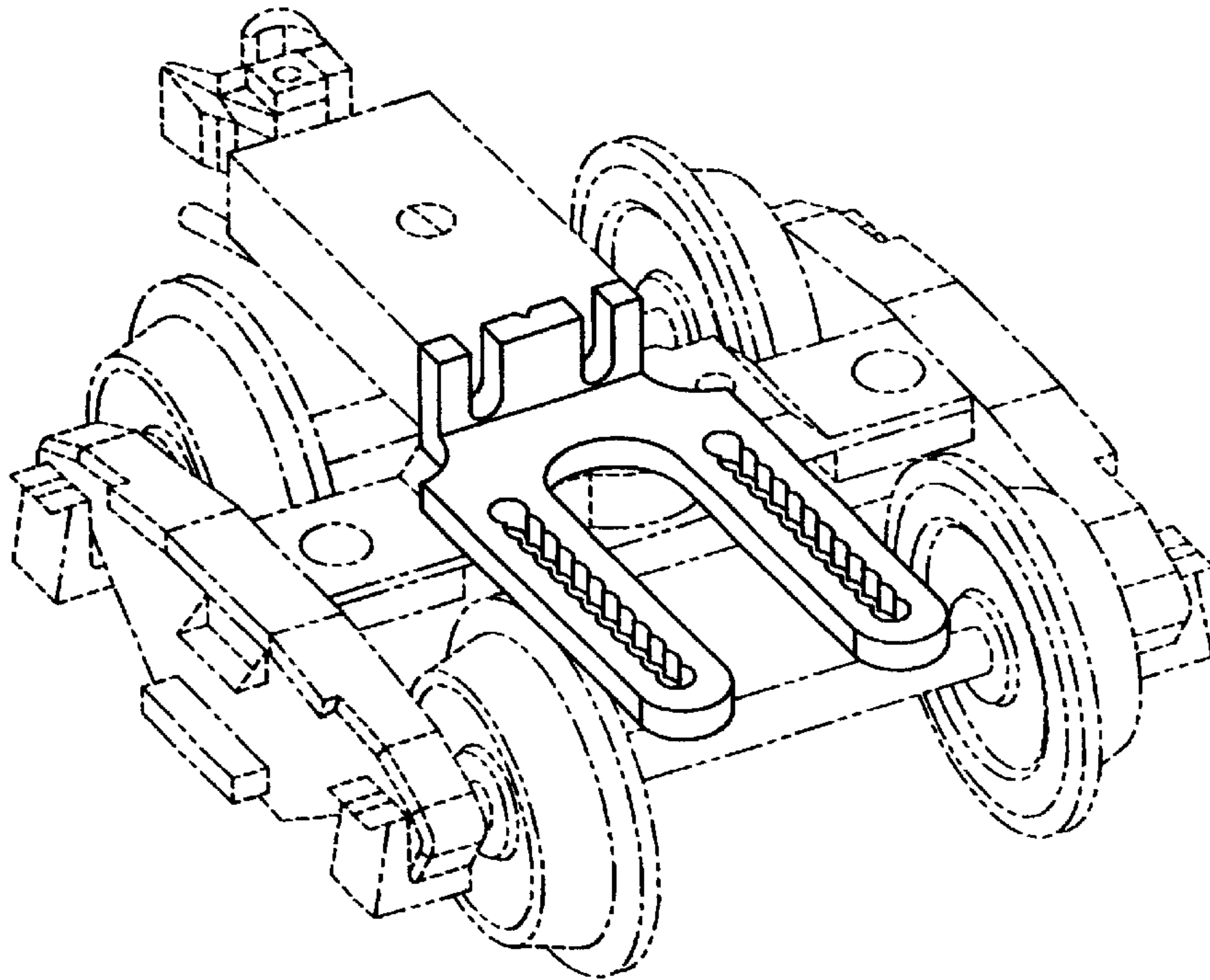


Fig. 1

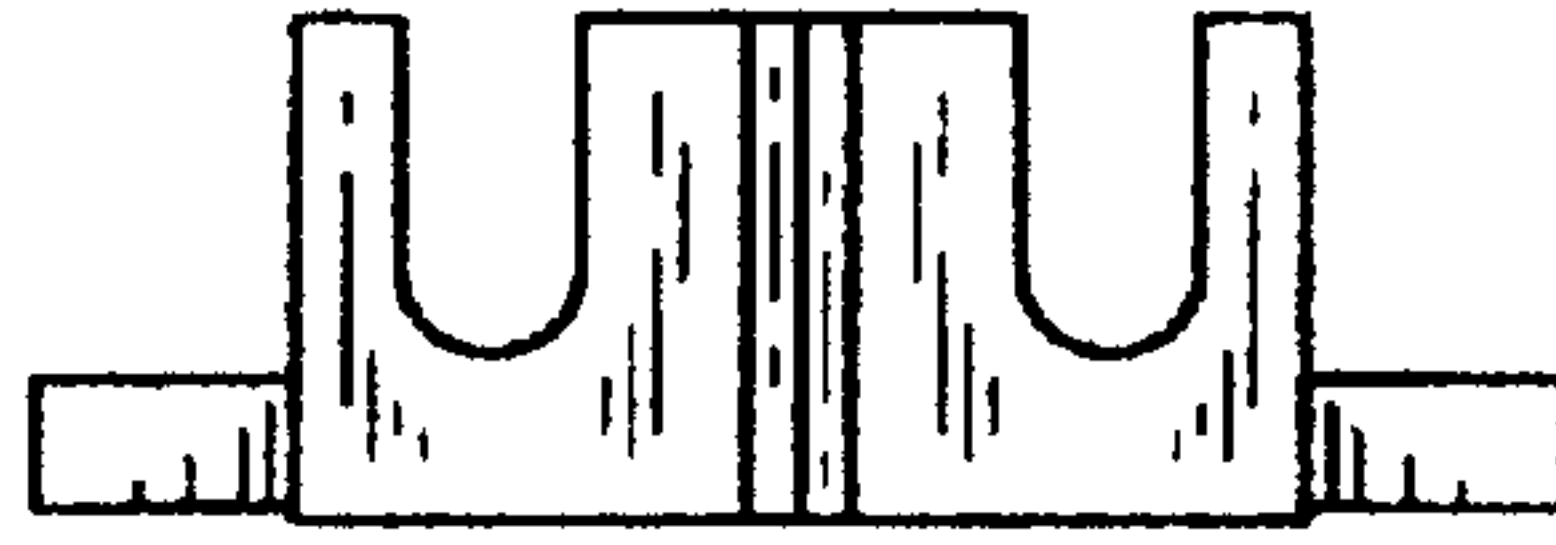


Fig. 2

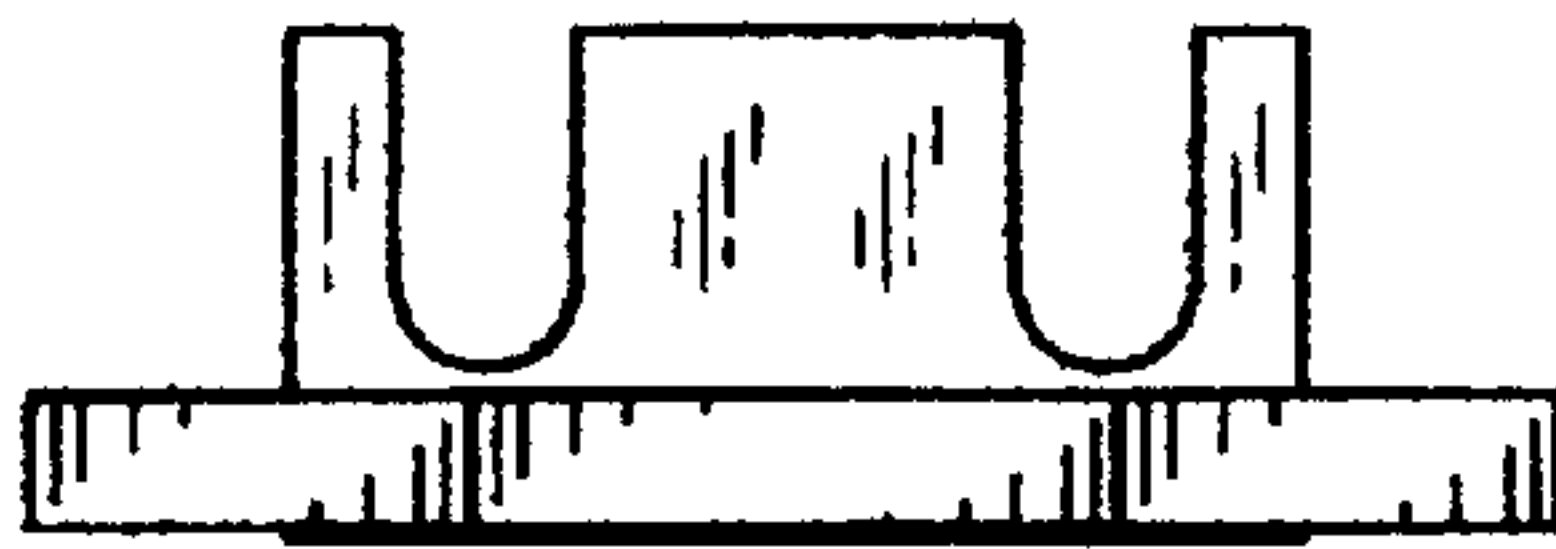


Fig. 3



Fig. 4

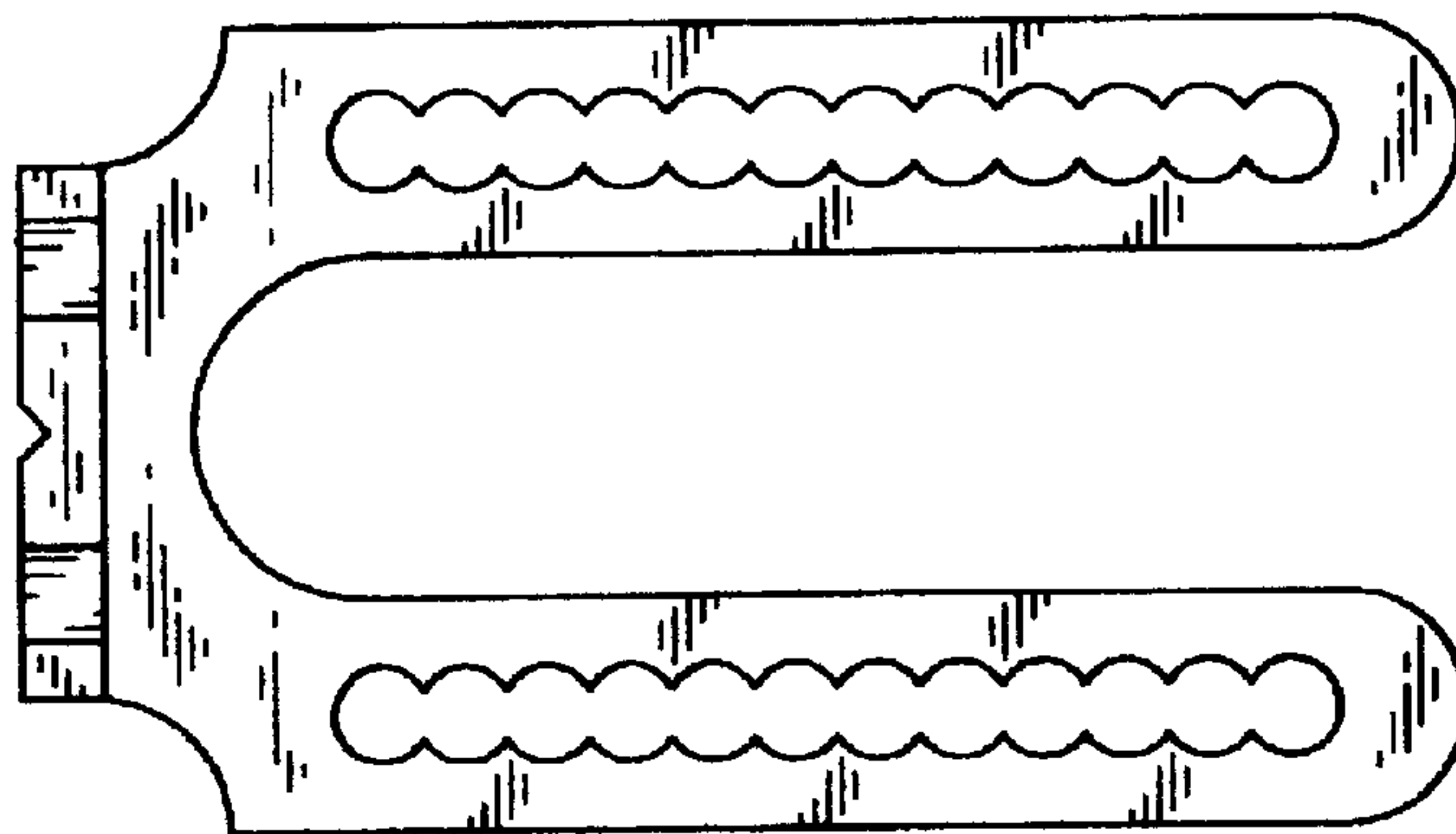


Fig. 5

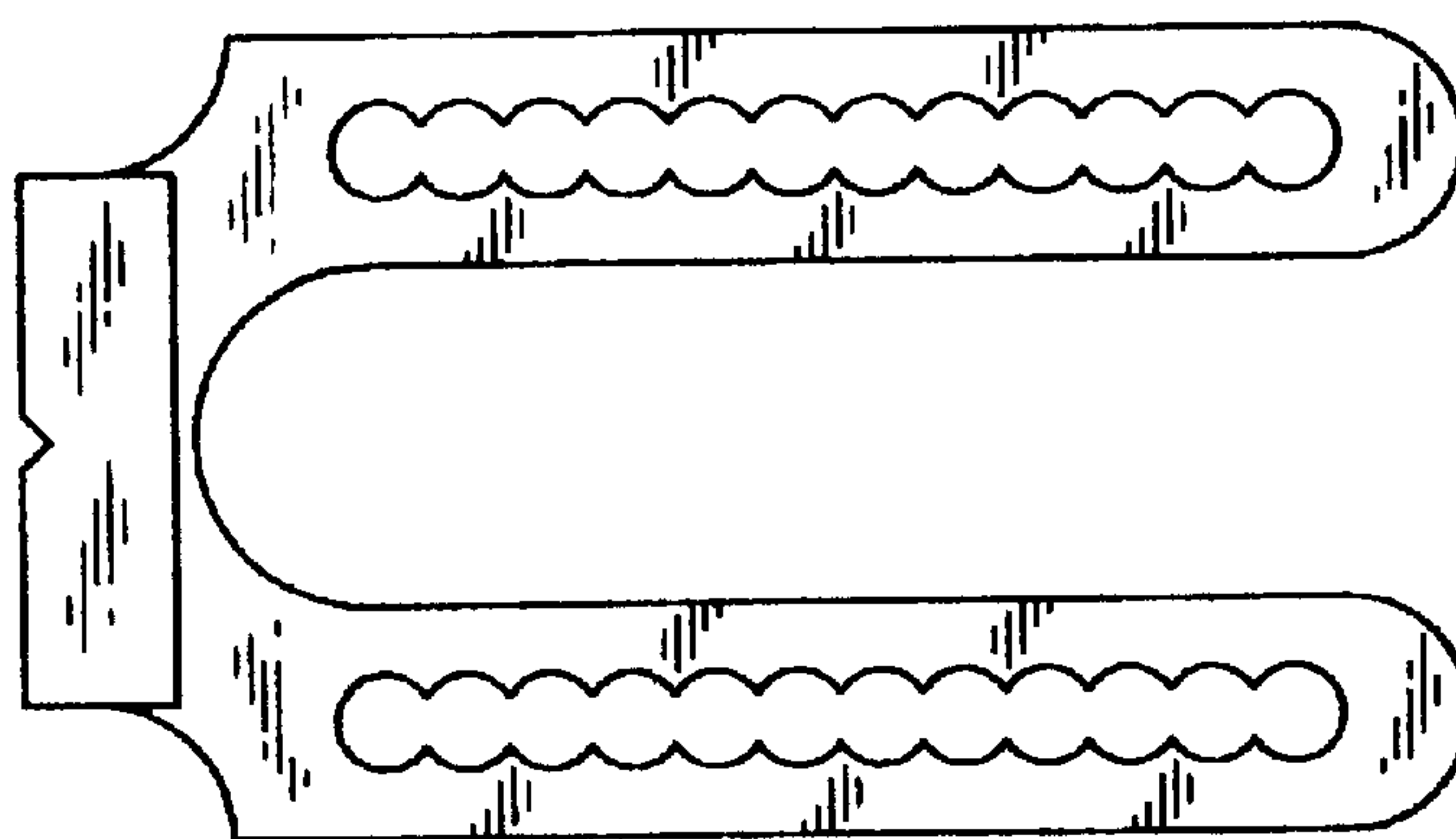


Fig. 6