

US00D530373S

(12) **United States Design Patent**
Cetera

(10) **Patent No.:** **US D530,373 S**

(45) **Date of Patent:** **** Oct. 17, 2006**

- (54) **PEN**
- (75) Inventor: **Carl Cetera**, Tenafly, NJ (US)
- (73) Assignee: **Cotapaxi, INC**, Carlstadt, NJ (US)
- (**) Term: **14 Years**
- (21) Appl. No.: **29/209,095**
- (22) Filed: **Jul. 8, 2004**
- (51) **LOC (8) Cl.** **19-06**
- (52) **U.S. Cl.** **D19/43; D19/48; D19/36; D19/56**
- (58) **Field of Classification Search** D19/35, D19/36, 41-51, 53-58, 81-85; 401/6, 7, 401/88, 98, 202, 209, 213, 243-247, 261, 401/262, 52, 195; D3/215
See application file for complete search history.

- D431,834 S * 10/2000 Petzold D19/44
- D475,088 S * 5/2003 Cetera D19/57
- D483,065 S * 12/2003 Cetera D19/36
- D483,066 S * 12/2003 Takashi D19/43
- D484,537 S * 12/2003 Arita et al. D19/43
- D497,387 S * 10/2004 Cetera D19/36

* cited by examiner

Primary Examiner—Martie K. Holtje

(74) *Attorney, Agent, or Firm*—Brian M. Carpenter

(57) **CLAIM**

The ornamental design for a pen, as shown and described.

DESCRIPTION

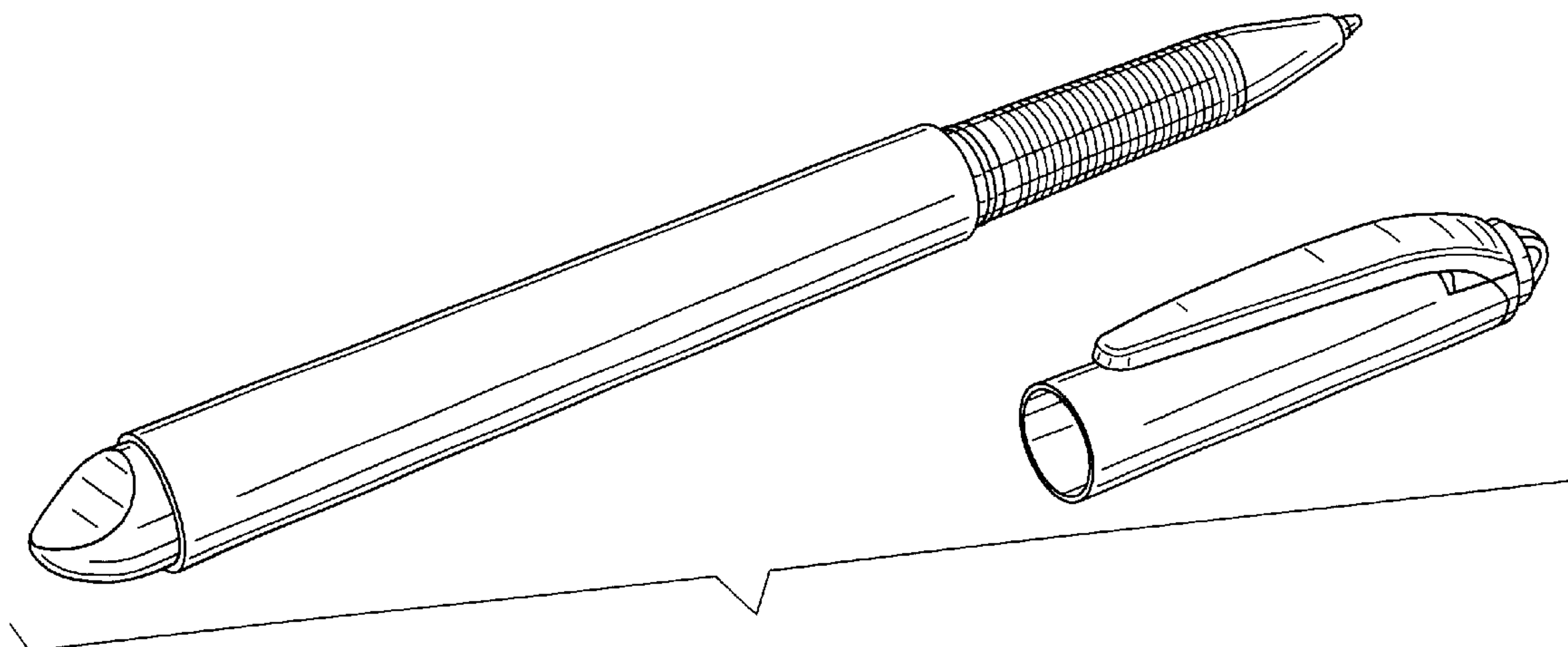
FIG. 1 is a perspective view of a pen;
 FIG. 2 is a left side elevational view, the right side being a mirror image thereof;
 FIG. 3 is a front elevational view thereof;
 FIG. 4 is a rear elevational view thereof;
 FIG. 5 is a bottom plan view thereof;
 FIG. 6 is a top plan view thereof;
 FIG. 7 is a perspective view in an exploded condition; and,
 FIG. 8 is a left side elevational view of FIG. 7, the right side being a mirror image thereof.

1 Claim, 2 Drawing Sheets

(56) **References Cited**

U.S. PATENT DOCUMENTS

- D253,060 S * 10/1979 Itoh D19/48
- D316,184 S * 4/1991 Mikkelsen D3/215
- D338,037 S * 8/1993 Miller et al. D19/44
- D431,598 S * 10/2000 Kim et al. D19/36



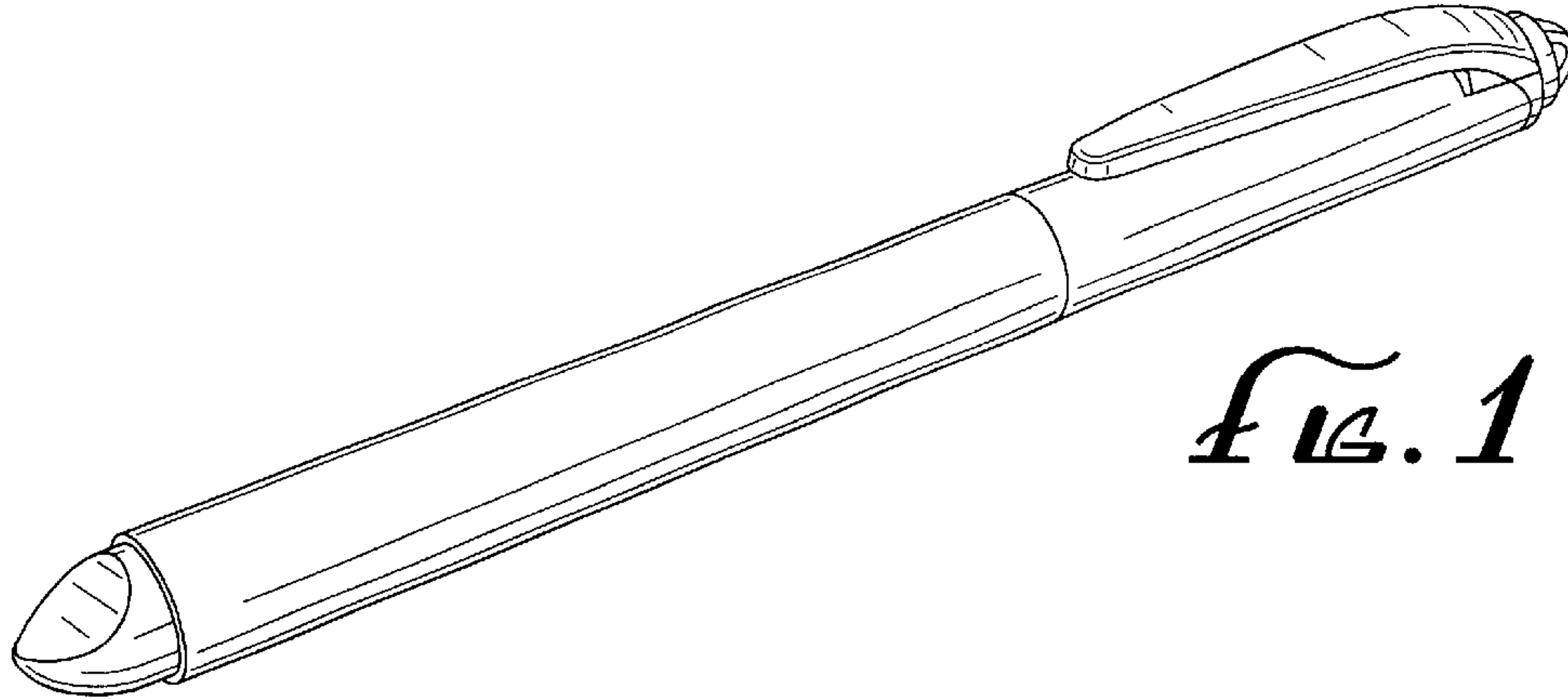


FIG. 1

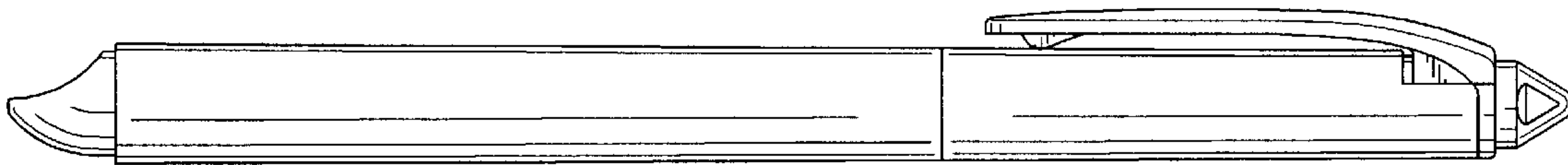


FIG. 2

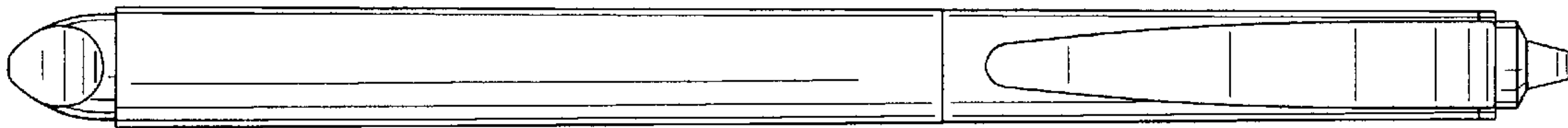


FIG. 3

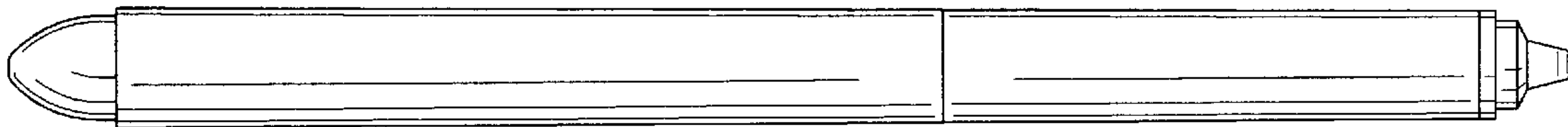


FIG. 4

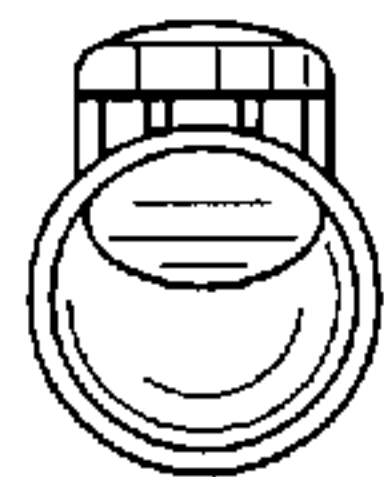


FIG. 5

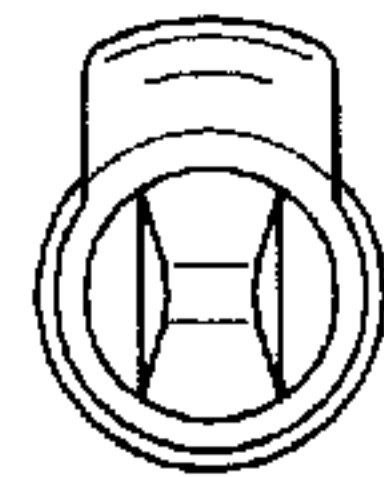


FIG. 6

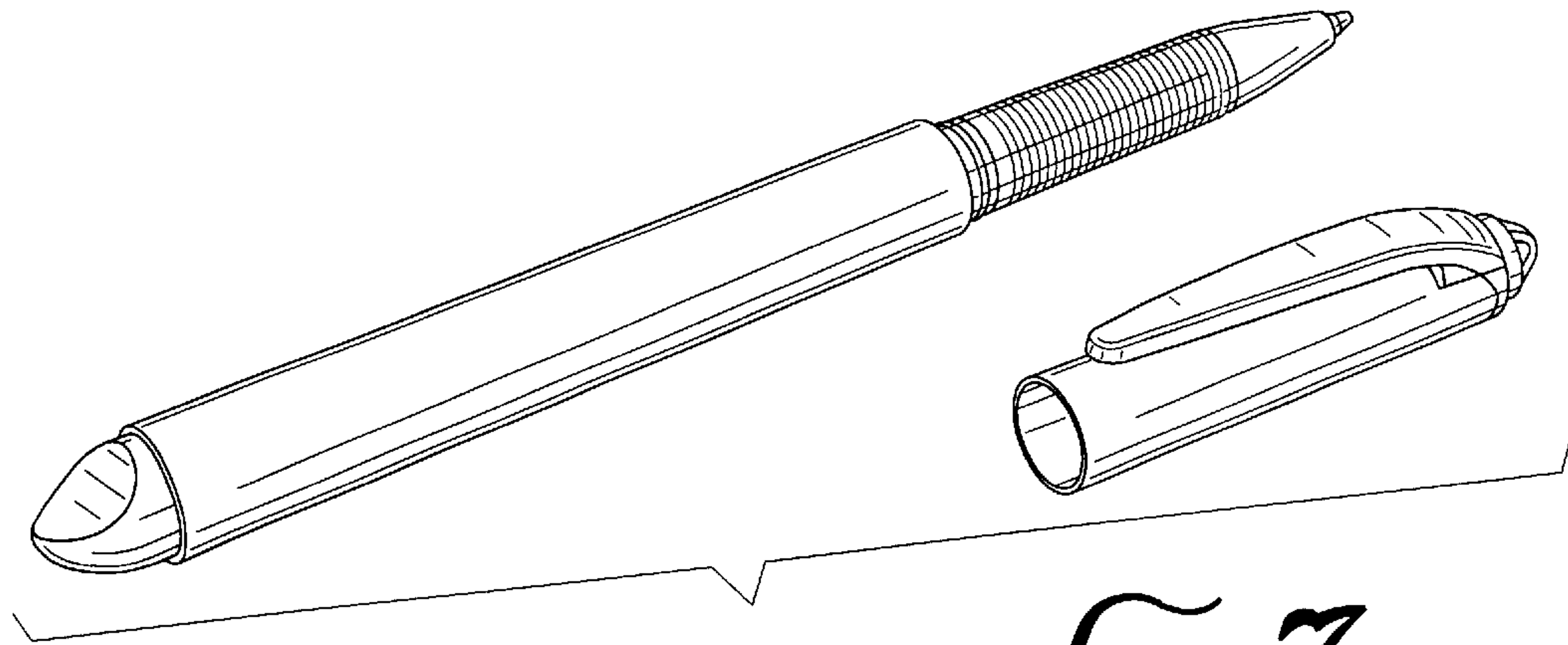


FIG. 7

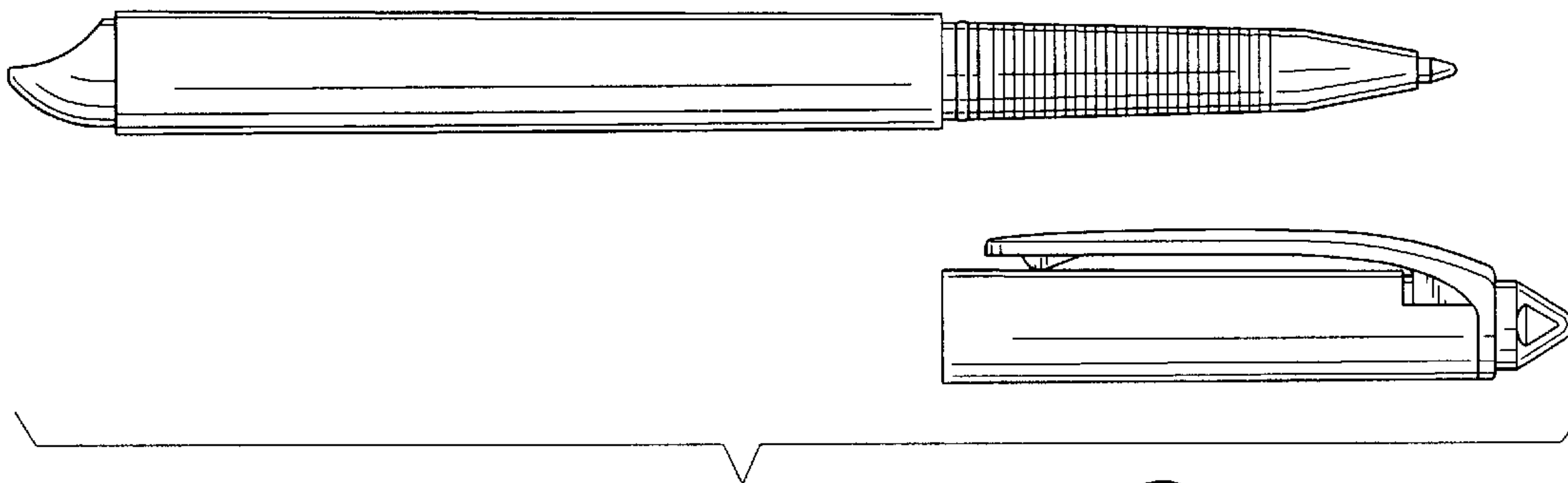


FIG. 8