



US00D530368S

(12) **United States Design Patent**
Shimada et al.

(10) **Patent No.:** **US D530,368 S**
(45) **Date of Patent:** **** Oct. 17, 2006**

(54) **BINDER**

(75) Inventors: **Hiroshi Shimada**, Tokyo (JP); **Daichi Kumai**, Tokyo (JP); **Junya Tamura**, Tokyo (JP); **Kouichi Tanimoto**, Tokyo (JP)

(73) Assignee: **Kabushiki Kaisha KING JIM**, Tokyo (JP)

(**) Term: **14 Years**

(21) Appl. No.: **29/256,509**

(22) Filed: **Mar. 22, 2006**

Related U.S. Application Data

(62) Division of application No. 29/213,654, filed on Sep. 22, 2004.

(51) **LOC (8) Cl.** **19-04**

(52) **U.S. Cl.** **D19/32**

(58) **Field of Classification Search** D19/26, D19/27, 28, 29, 30, 31, 32, 33; 281/2, 3.1, 281/15.1, 19.1, 21.1, 22, 29, 31, 38; 402/4, 402/31, 34, 35, 36, 37, 38, 39, 40, 73-75, 402/80 R

See application file for complete search history.

(56) **References Cited**

U.S. PATENT DOCUMENTS

3,333,592 A	8/1967	Huffaker	402/34
4,690,580 A	9/1987	Kissel	402/39
4,832,521 A	5/1989	Handler	402/34
D382,593 S	8/1997	To	D19/32
D392,998 S	3/1998	Chan	D19/32
D446,810 S	8/2001	Faulstich	D19/27
6,659,676 B1	12/2003	Zheng	402/60
6,913,408 B1	7/2005	Tsujino	402/70
D509,535 S	9/2005	Tsujino	D19/32
2003/0044221 A1	3/2003	To et al.	402/41

Primary Examiner—Elizabeth A. Albert

(74) *Attorney, Agent, or Firm*—Rader, Fishman & Grauer PLLC

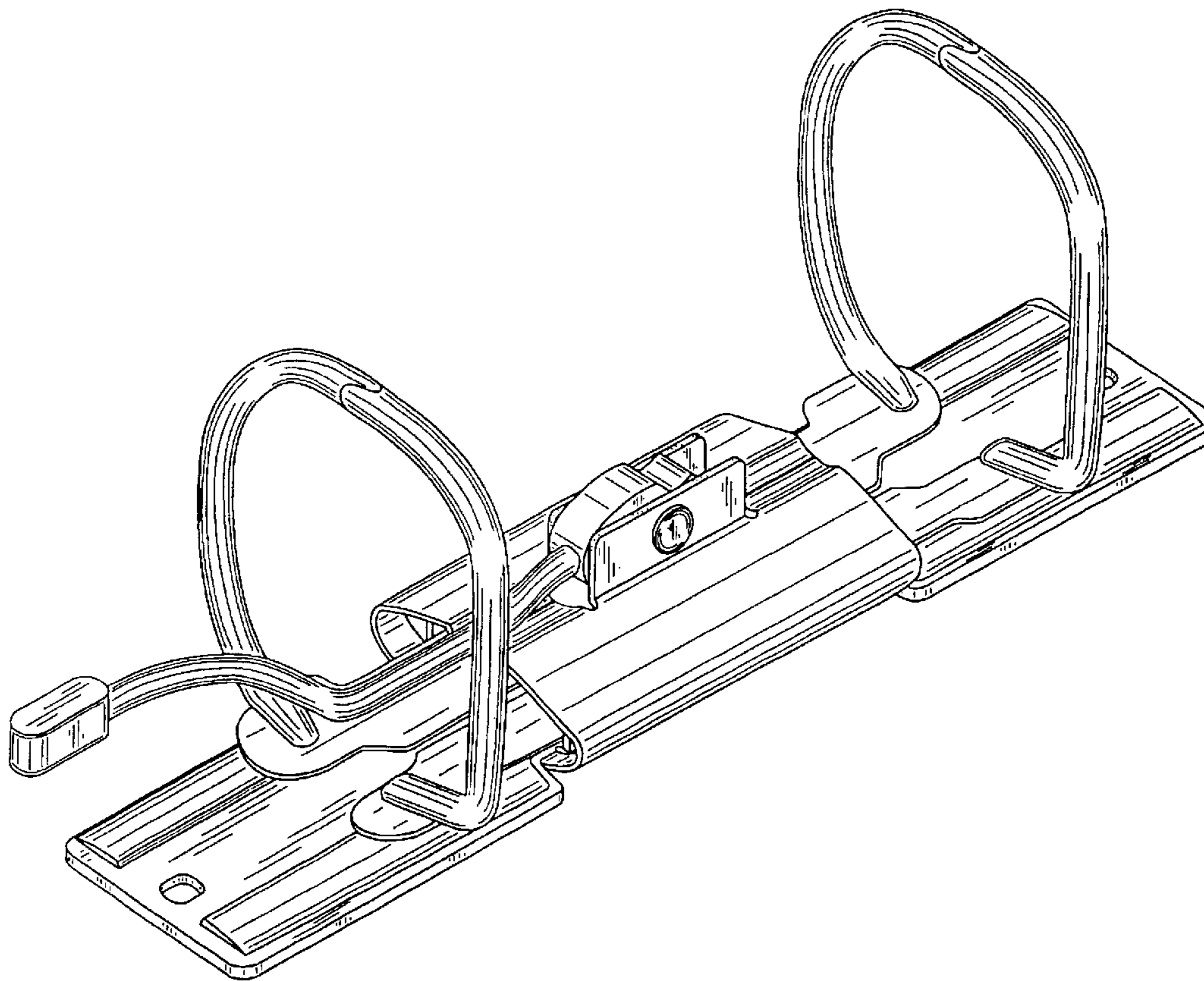
(57) **CLAIM**

The ornamental design for a binder, as shown.

DESCRIPTION

FIG. 1 is a perspective view of a binder showing our new design;
FIG. 2 is a front elevational view thereof;
FIG. 3 is a rear elevational view thereof;
FIG. 4 is a left side elevational view thereof;
FIG. 5 is a right side elevational view thereof;
FIG. 6 is a top plan view thereof; and,
FIG. 7 is a bottom plan view thereof.

1 Claim, 4 Drawing Sheets



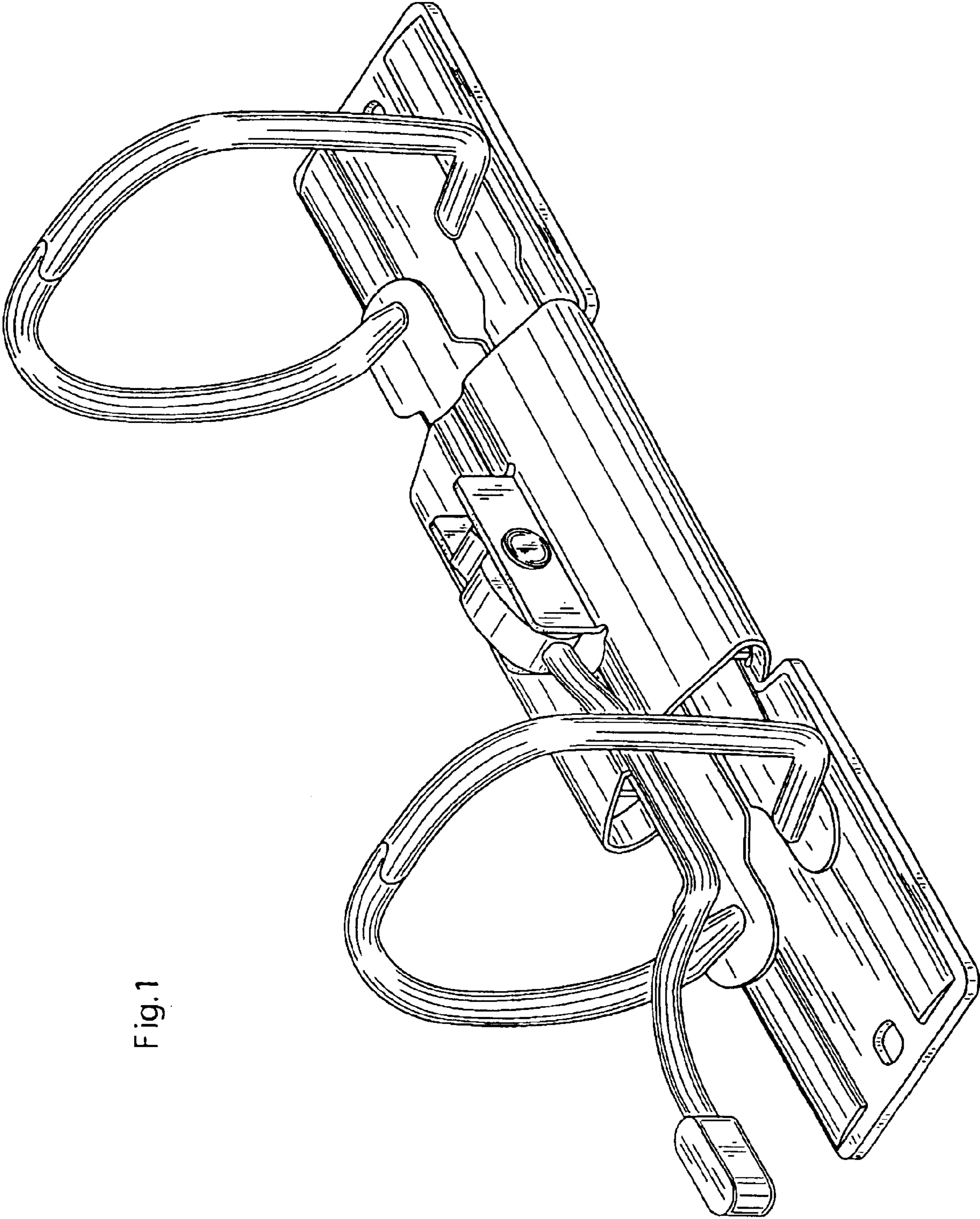


Fig. 1

Fig.2

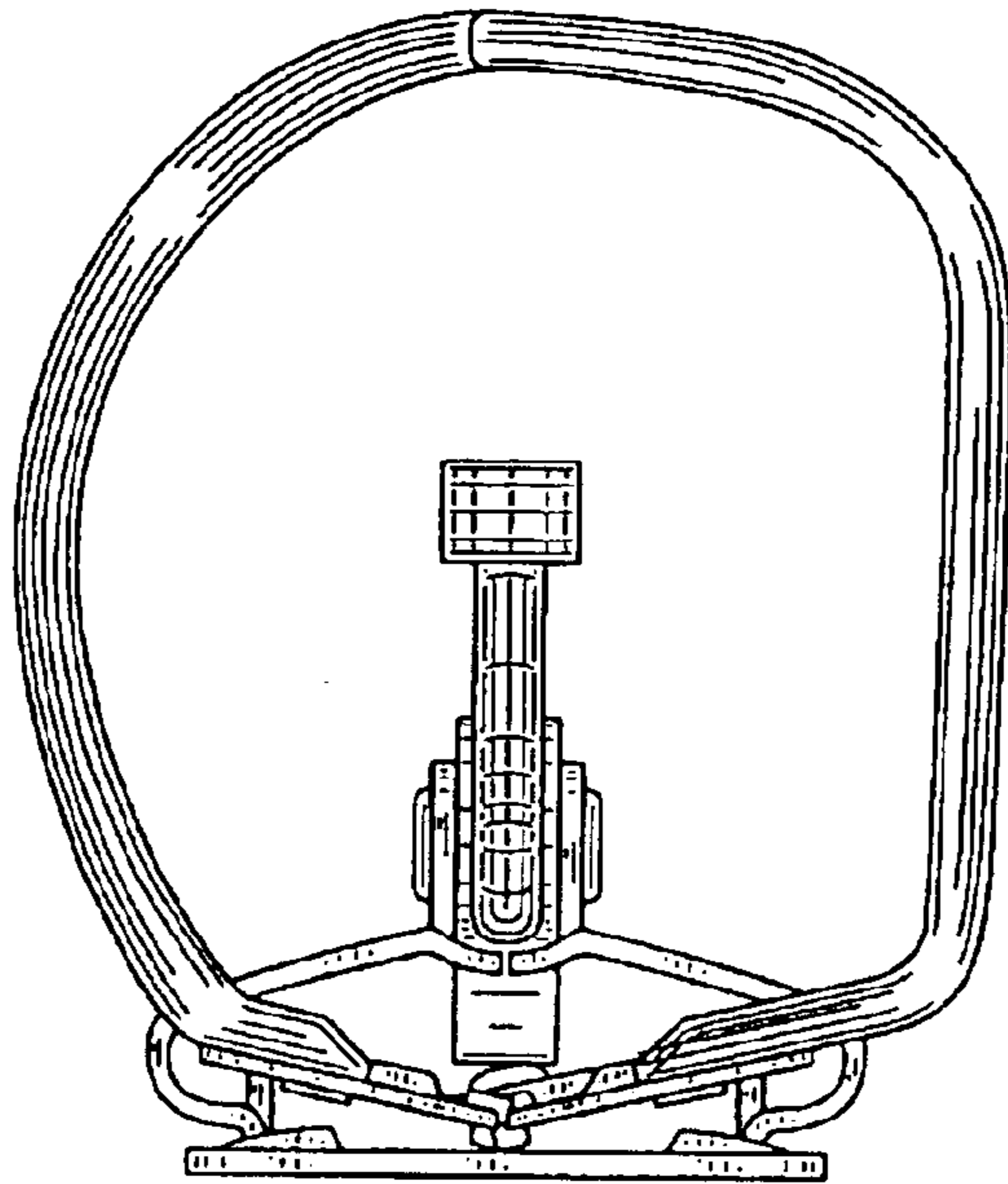
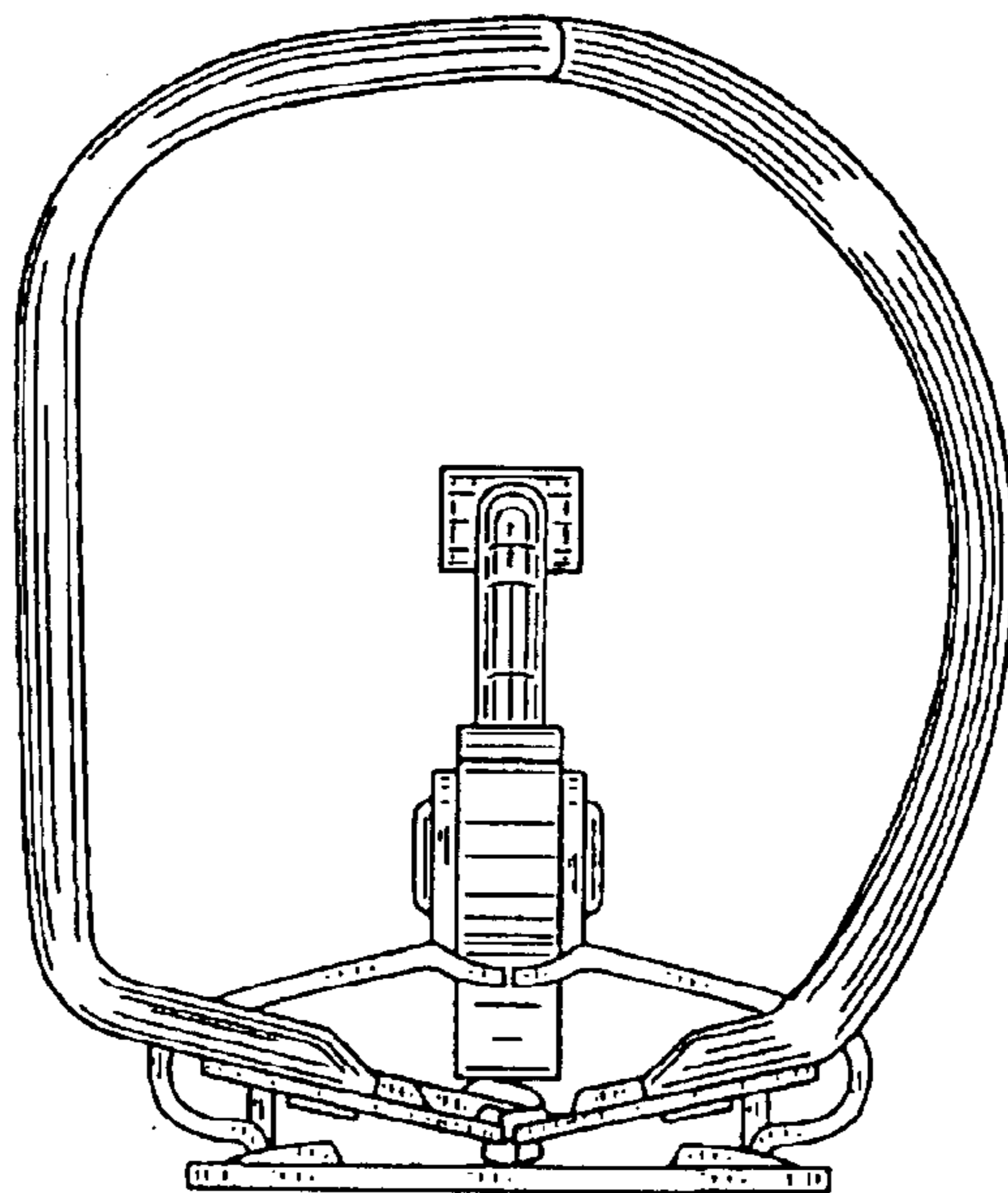


Fig.3



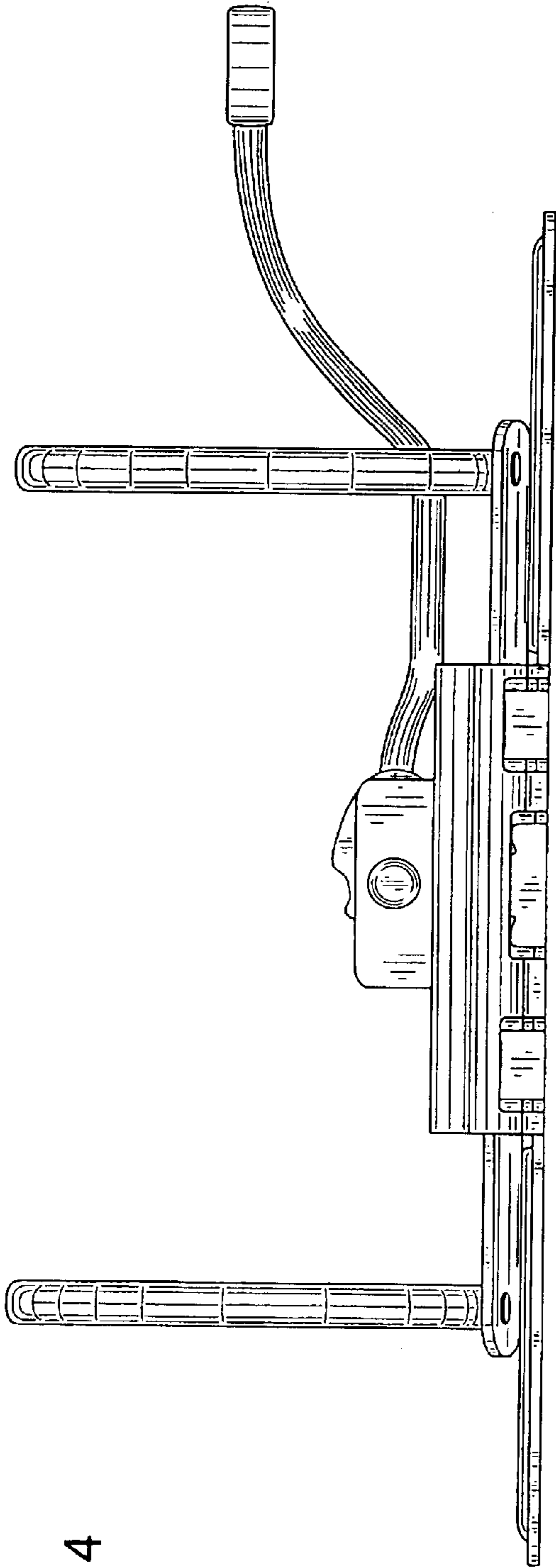


Fig. 4

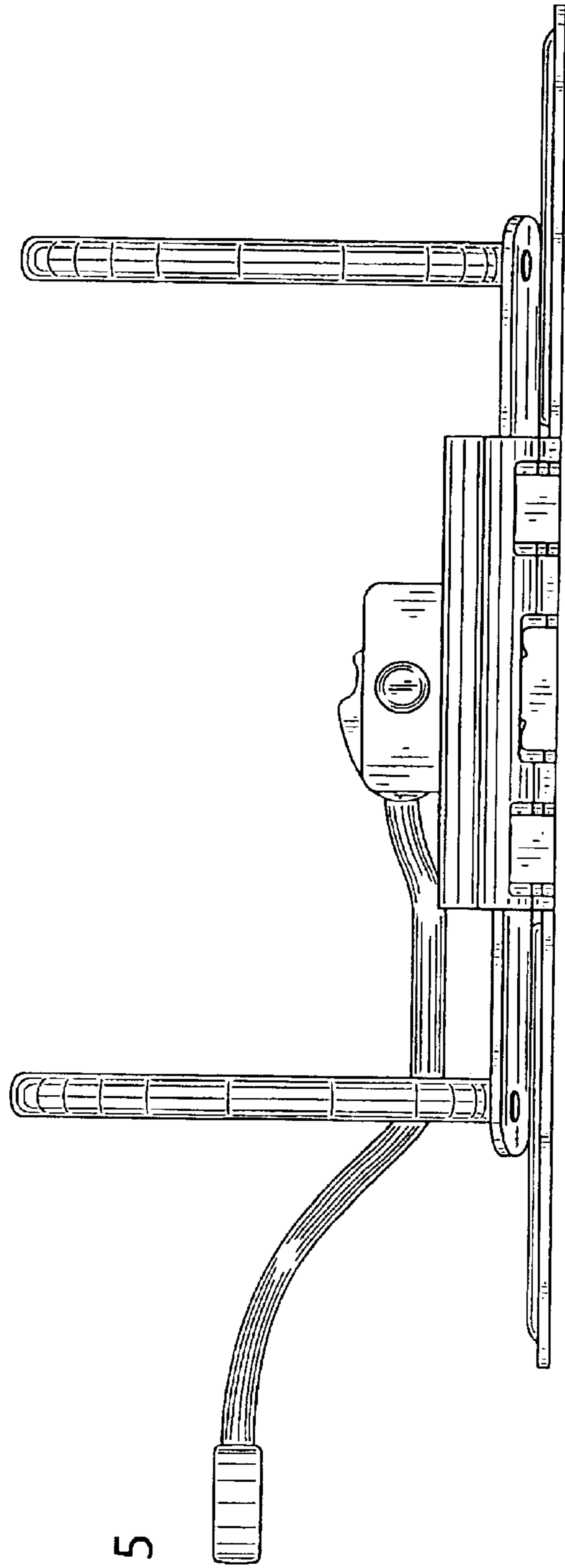


Fig. 5

Fig.6

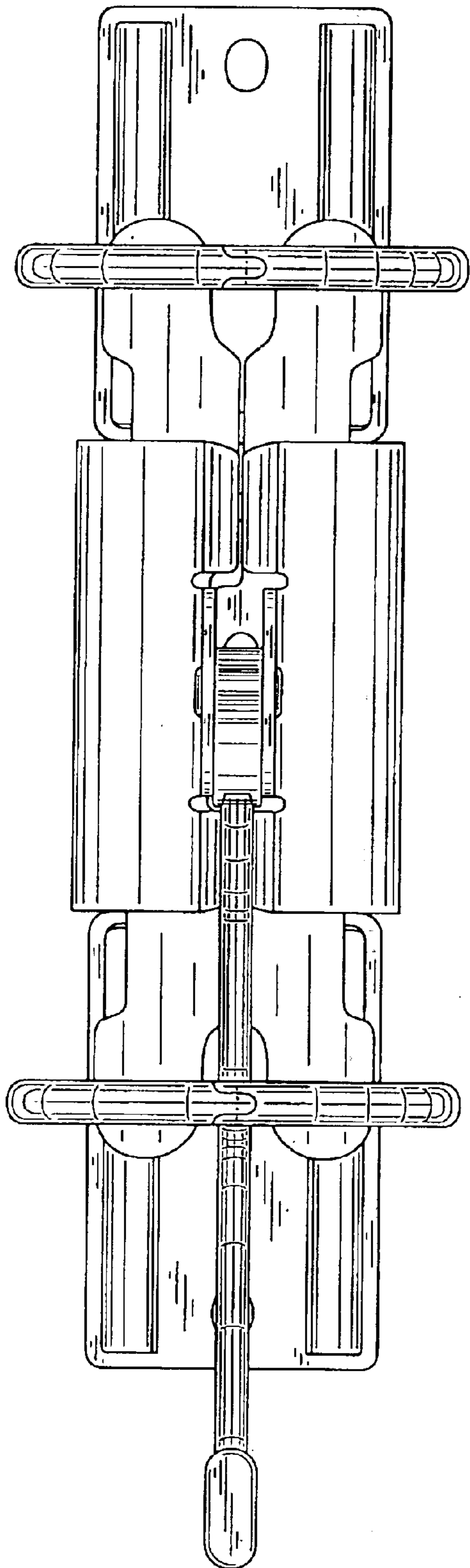


Fig.7

