



US00D530365S

(12) **United States Design Patent**  
**Wakayama et al.**

(10) **Patent No.:** **US D530,365 S**

(45) **Date of Patent:** **\*\* \*Oct. 17, 2006**

(54) **INK CARTRIDGE**

(75) Inventors: **Takahiro Wakayama**, Ibaraki-ken (JP);  
**Takashi Miyazawa**, Hachioji (JP);  
**Masashi Matsuda**, Hachioji (JP)

(73) Assignees: **Riso Kagaku Corporation**, Tokyo (JP);  
**Olympus Corporation**, Tokyo (JP)

(\*) Notice: This patent is subject to a terminal disclaimer.

(\*\*) Term: **14 Years**

(21) Appl. No.: **29/203,085**

(22) Filed: **Apr. 9, 2004**

(30) **Foreign Application Priority Data**

Oct. 10, 2003 (JP) ..... 2003-030021

(51) **LOC (8) Cl.** ..... **18-02**

(52) **U.S. Cl.** ..... **D18/56; 347/86**

(58) **Field of Classification Search** ..... D18/40,  
D18/43, 56; 347/86, 87

See application file for complete search history.

(56) **References Cited**

**U.S. PATENT DOCUMENTS**

D449,643 S \* 10/2001 Hatasa et al. .... D18/56

D463,818 S \* 10/2002 Fujinuma et al. .... D18/43  
D477,020 S \* 7/2003 Seino ..... D18/56  
D490,102 S \* 5/2004 Umeyama et al. .... D18/56  
D491,221 S \* 6/2004 Umeyama et al. .... D18/56

\* cited by examiner

*Primary Examiner*—Cathy Anne MacCormac

(74) *Attorney, Agent, or Firm*—Frommer Lawrence & Haug LLP; Matthew K. Ryan, Esq.

(57) **CLAIM**

The new and ornamental design for an ink cartridge, substantially as shown and described.

**DESCRIPTION**

FIG. 1 is a perspective view of an ink cartridge showing our new design,

FIG. 2 is a front view thereof,

FIG. 3 is a top view thereof

FIG. 4 is a left side view thereof,

FIG. 5 is a right side view thereof,

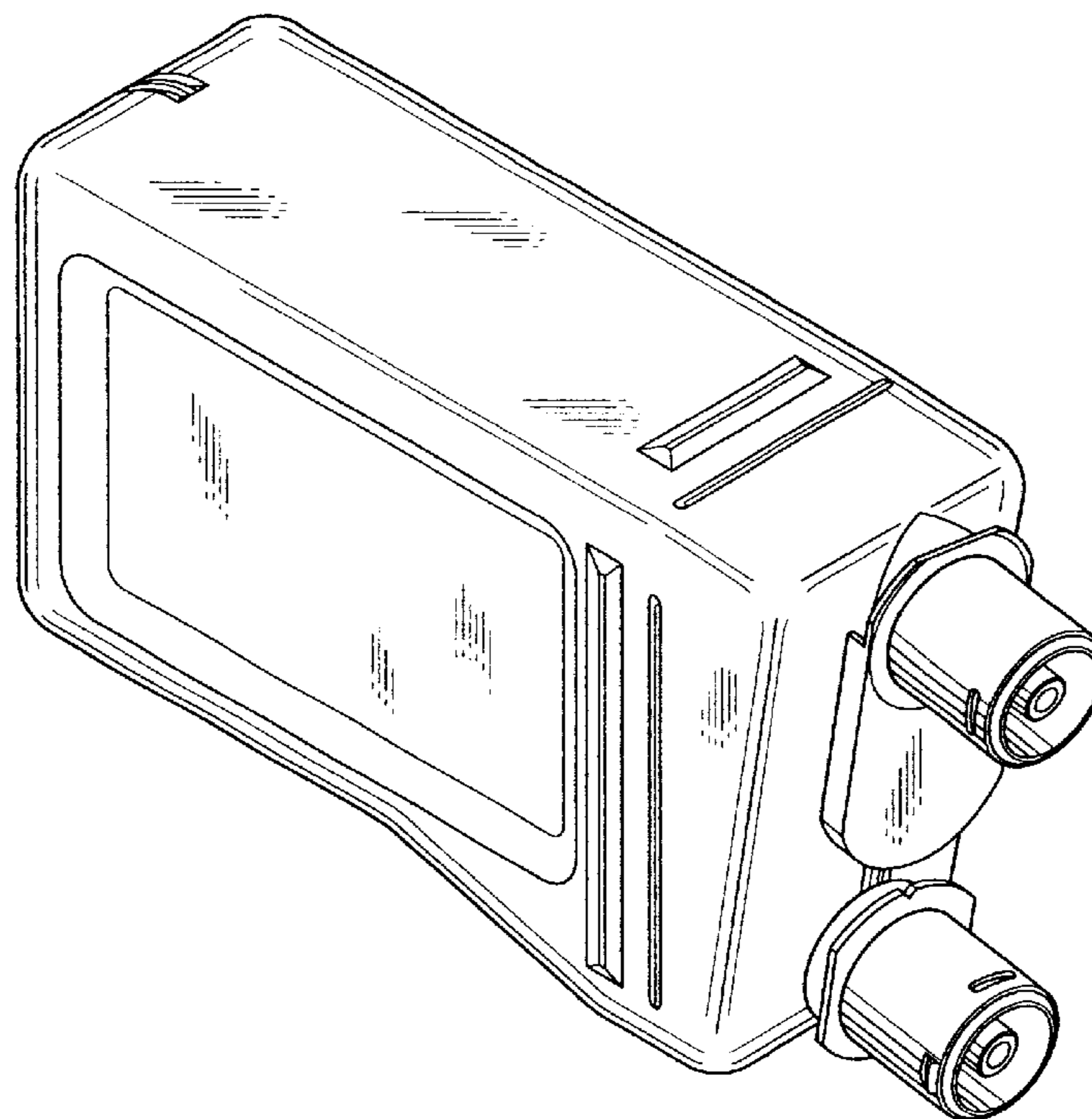
FIG. 6 is a bottom view thereof,

FIG. 7 is a partial cross sectional view taken along the line 7—7 of FIG. 3;

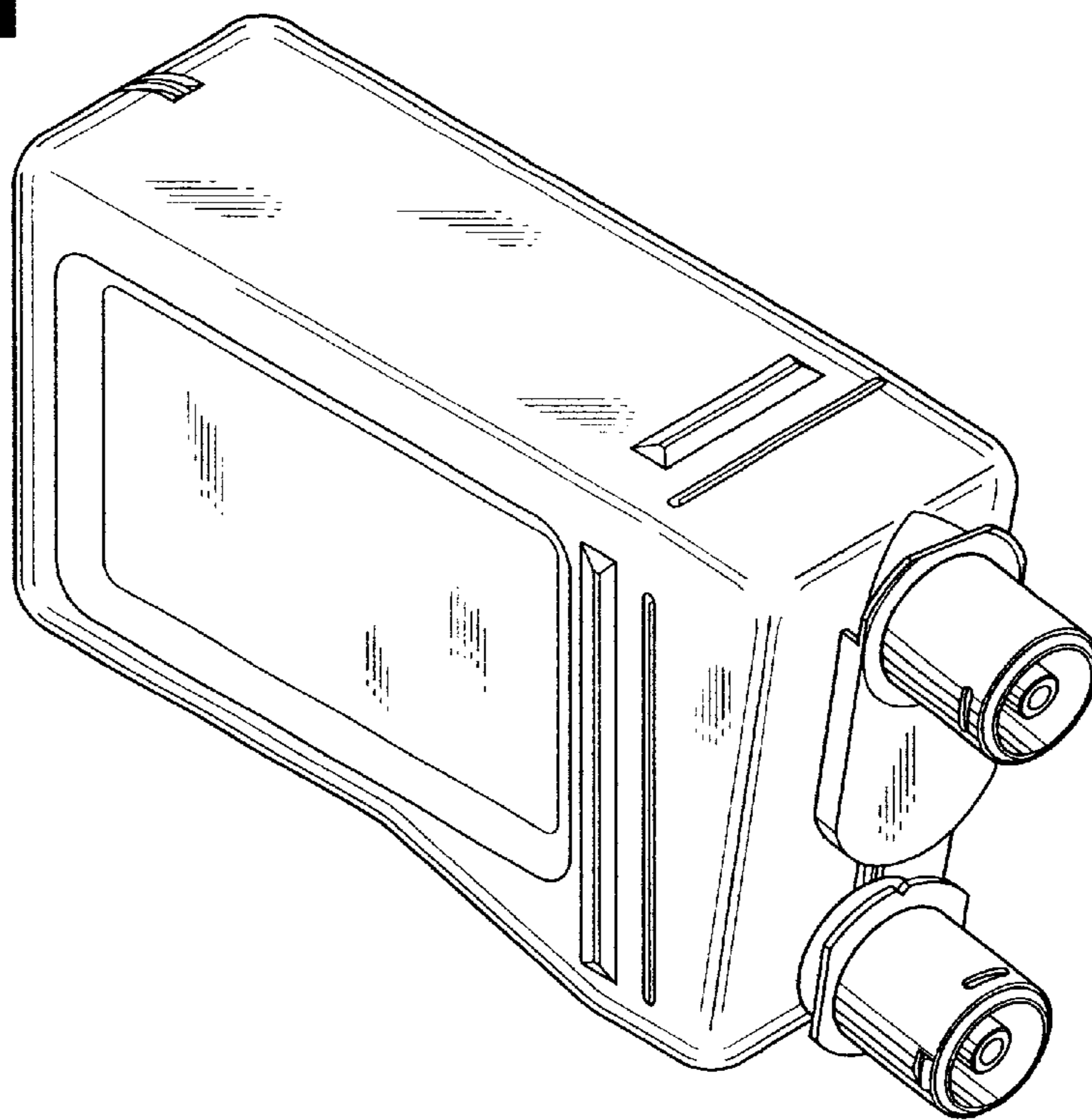
FIG. 8 is a cross sectional view taken along the line 8—8 of FIG. 2; and,

FIG. 9 is an enlarged cross sectional view taken along line 9—9 of FIG. 3.

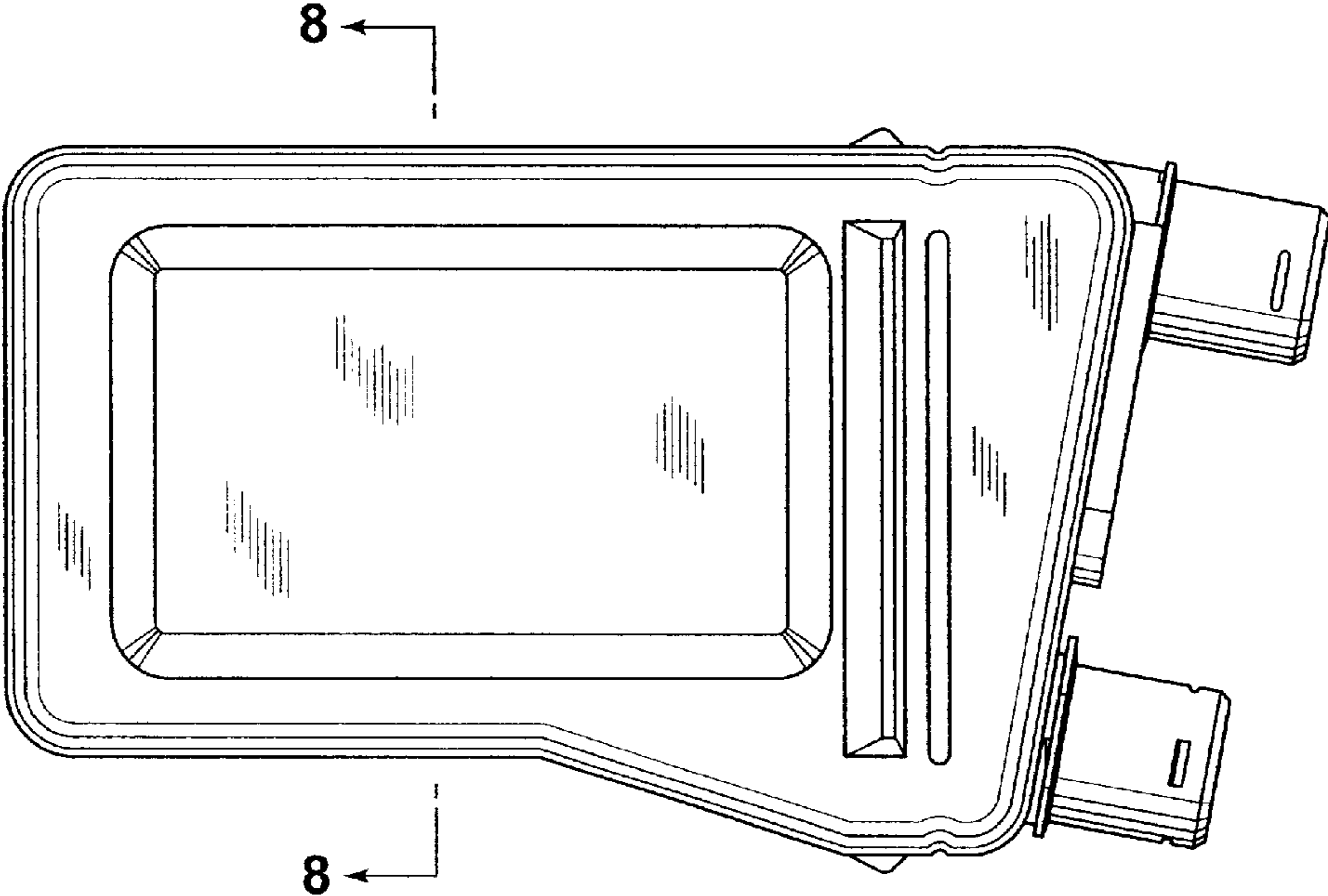
**1 Claim, 9 Drawing Sheets**



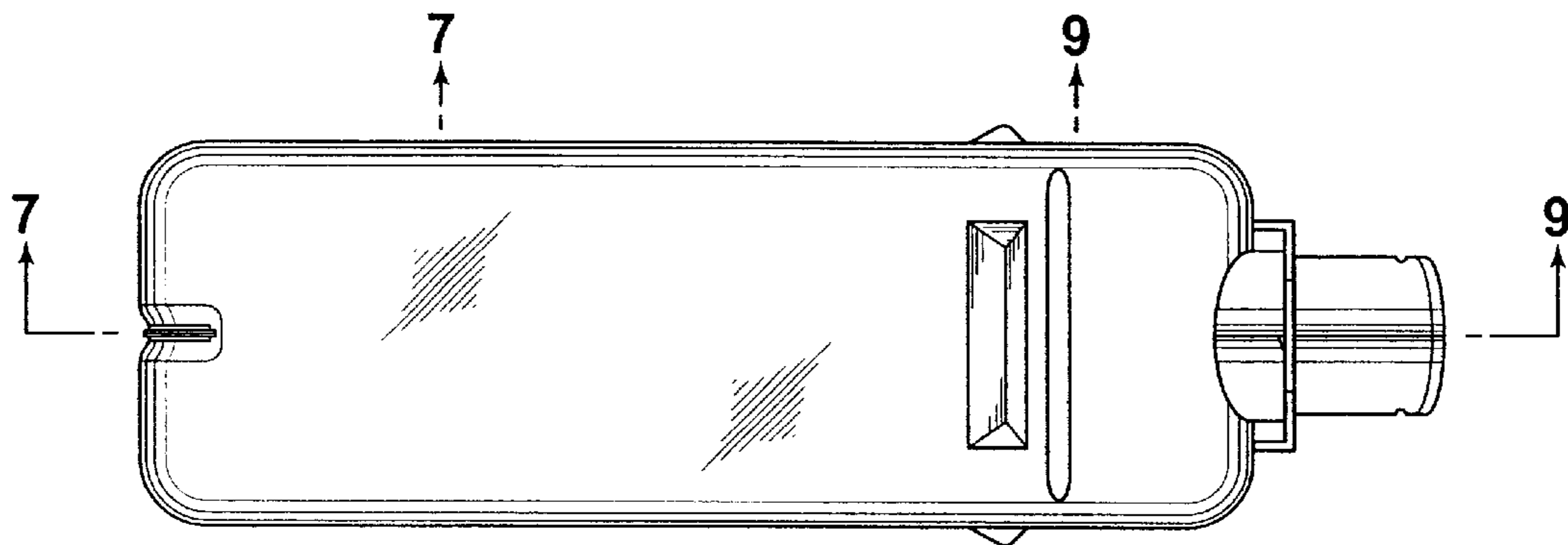
**FIG.1**



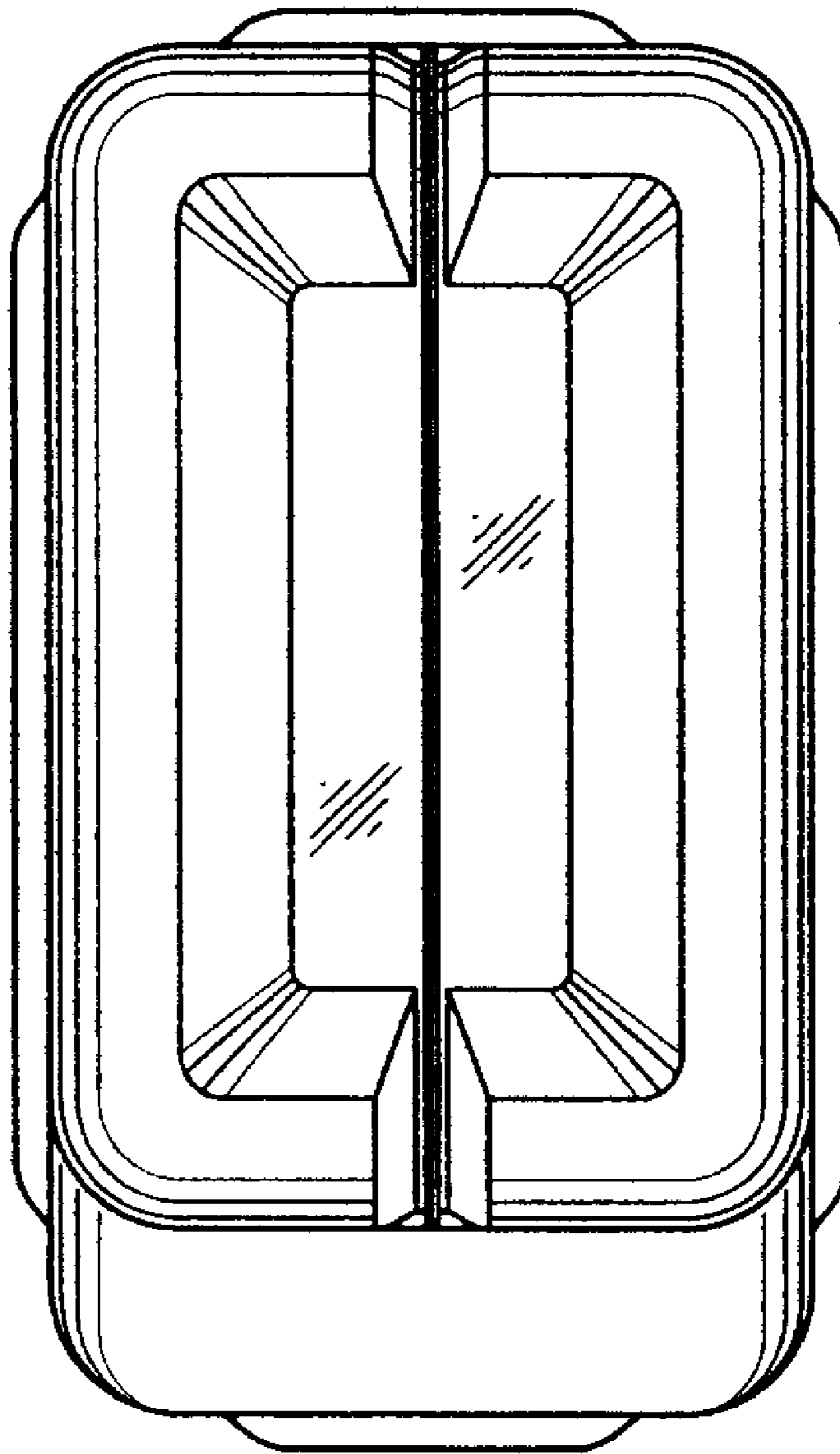
**FIG.2**



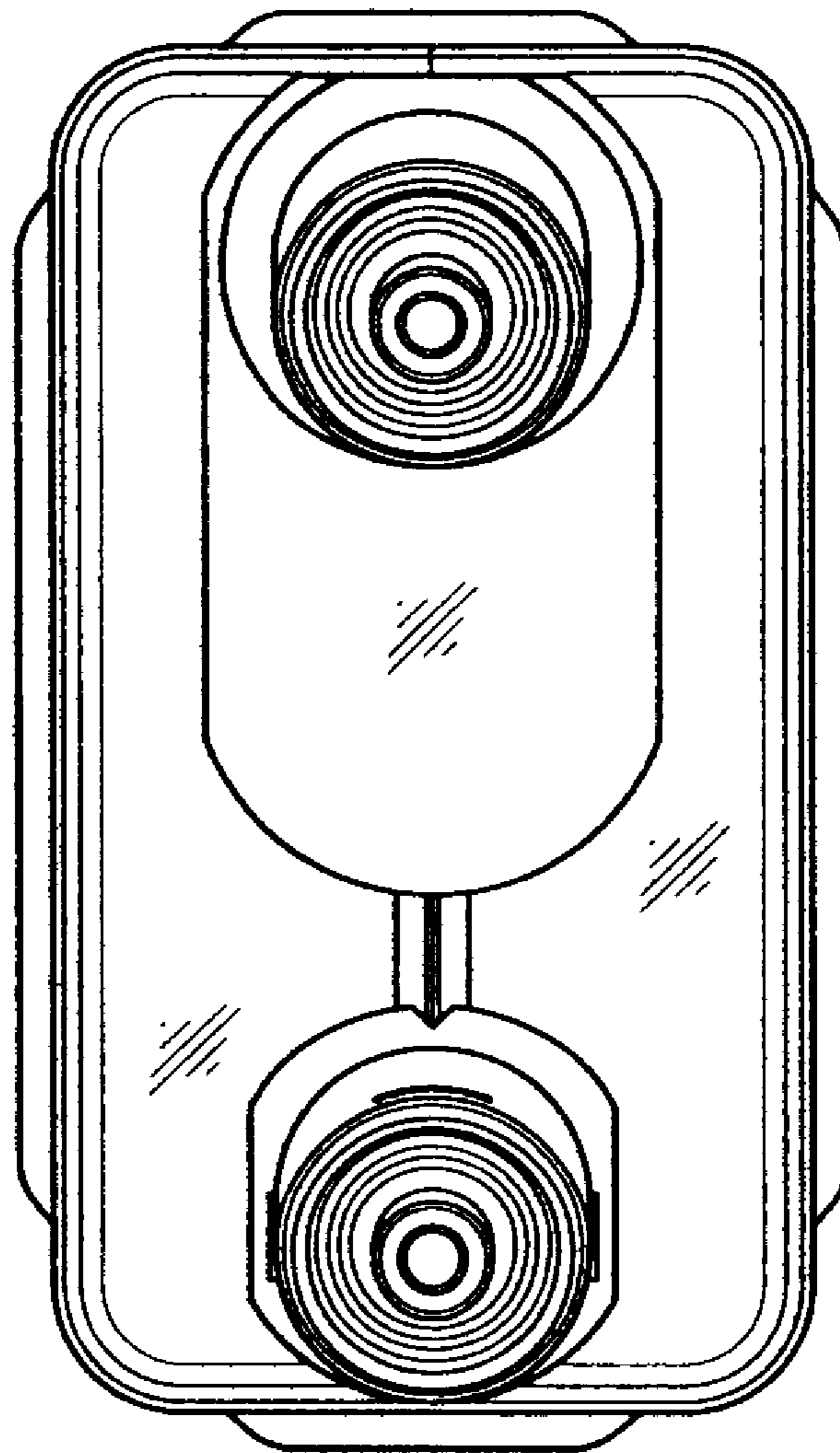
**FIG.3**



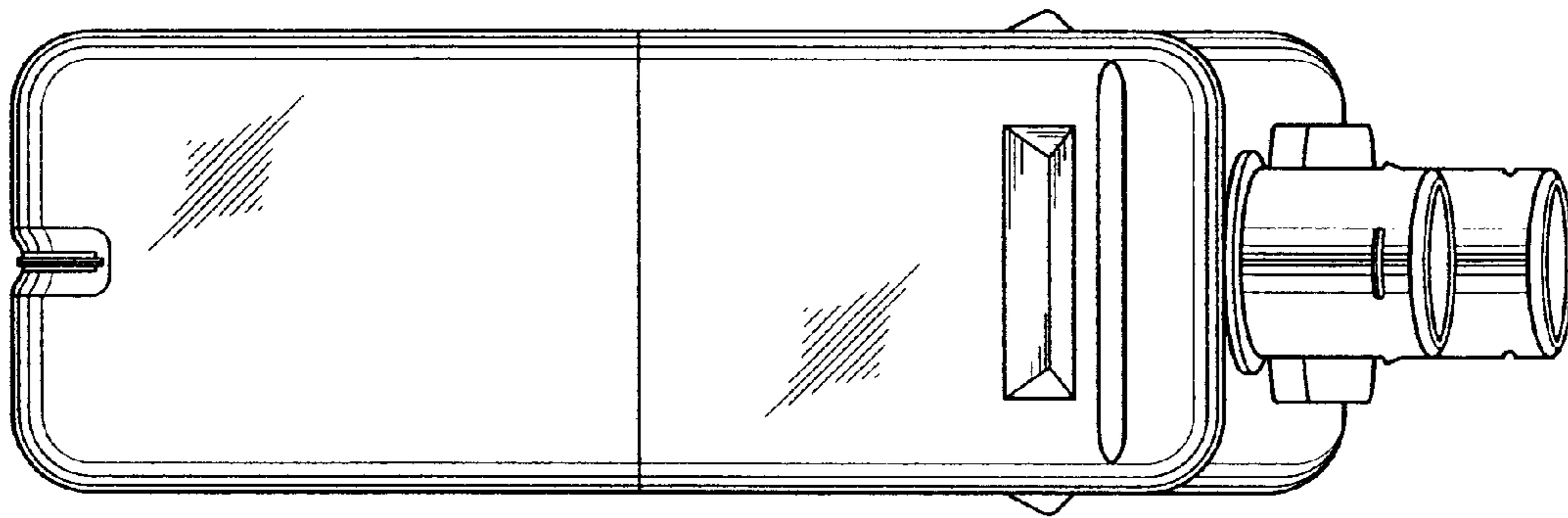
# FIG. 4



# FIG. 5

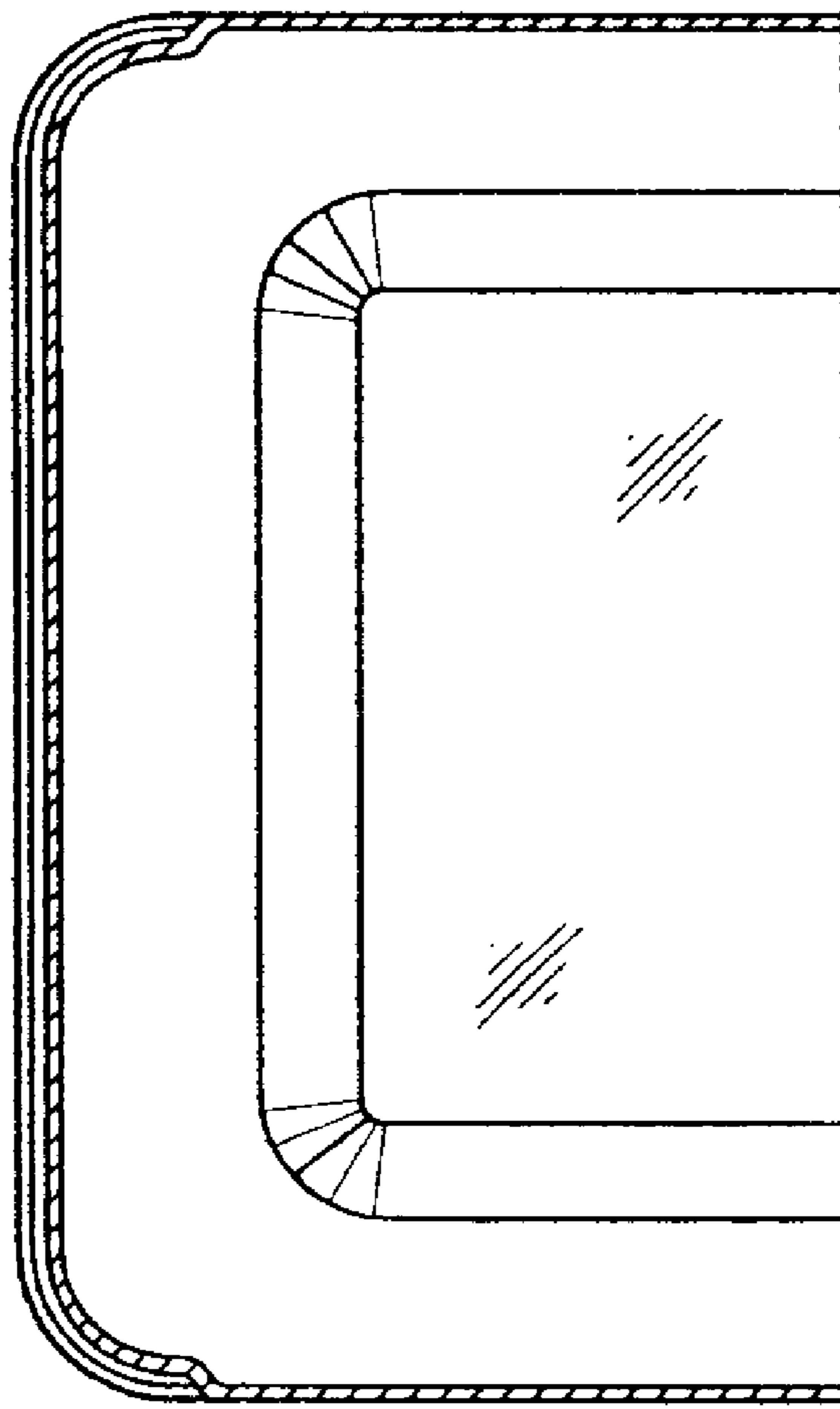


**FIG.6**



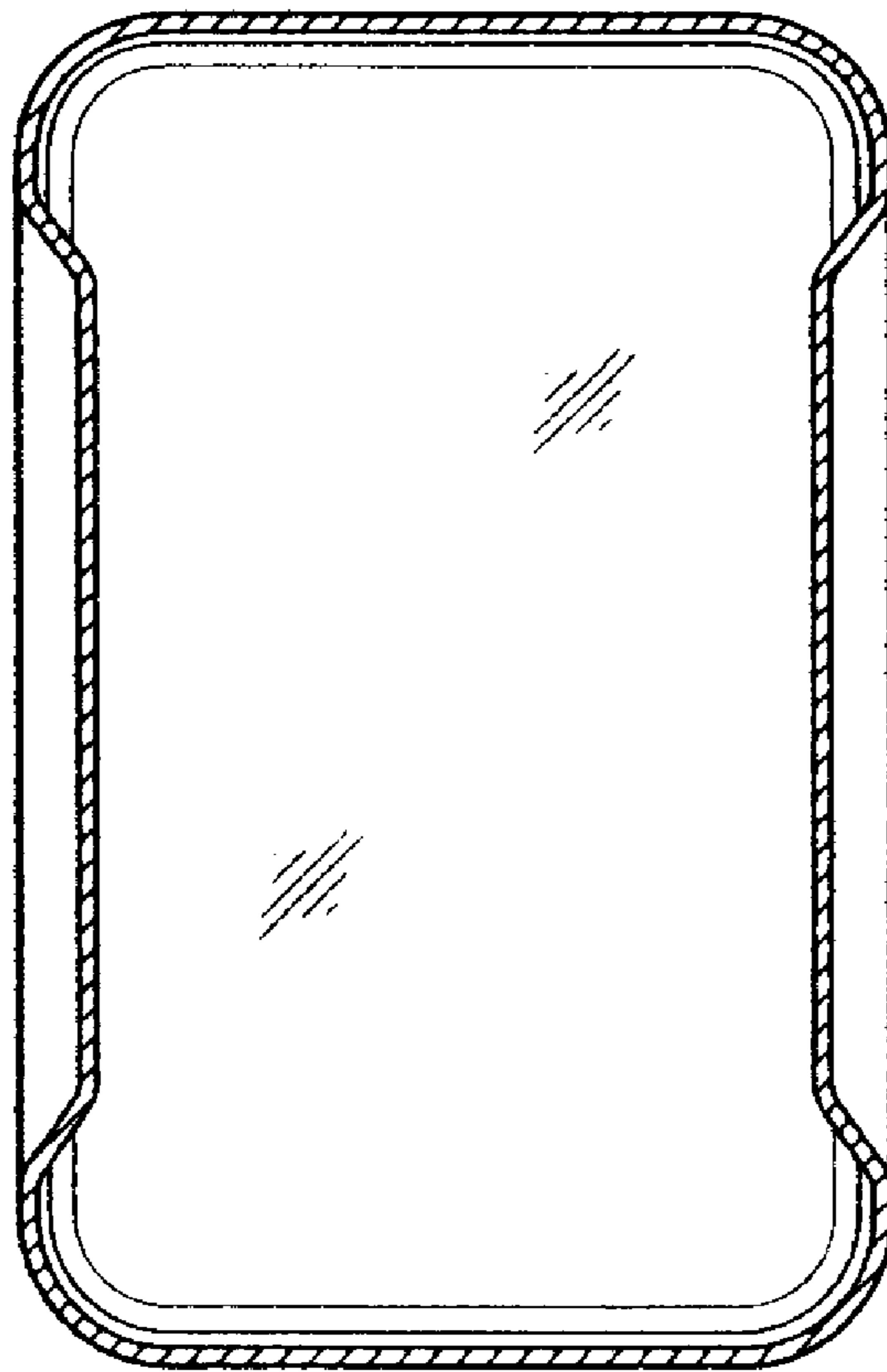


# FIG. 7





# FIG. 8



# FIG. 9

