



US00D530364S

(12) **United States Design Patent**  
**Huang**

(10) **Patent No.:** **US D530,364 S**

(45) **Date of Patent:** **\*\* Oct. 17, 2006**

(54) **PRINTER**

(75) Inventor: **Hsing-Yung Huang**, Hsin-Chu (TW)

(73) Assignee: **Microjet Technology Co., Ltd.**,  
Hsin-Chu (TW)

(\*\*) Term: **14 Years**

(21) Appl. No.: **29/226,047**

(22) Filed: **Mar. 24, 2005**

(51) **LOC (8) Cl.** ..... **14-02**

(52) **U.S. Cl.** ..... **D18/55**

(58) **Field of Classification Search** ..... D18/36-39,  
D18/51, 53-54, 54.1, 55; D14/420-425,  
D14/462-470; 399/107; 400/613, 613.1-613.4,  
400/691-694

See application file for complete search history.

(56) **References Cited**

**U.S. PATENT DOCUMENTS**

- D330,200 S \* 10/1992 Cheung ..... D14/469
- D343,856 S \* 2/1994 Chan ..... D18/50
- D350,364 S \* 9/1994 Kawashima et al. .... D18/50

- D412,013 S \* 7/1999 Karten et al. .... D18/50
- D444,812 S \* 7/2001 Toh et al. .... D18/55
- D460,780 S \* 7/2002 Dwyer et al. .... D18/55
- D465,514 S \* 11/2002 Toh et al. .... D18/55
- D482,387 S \* 11/2003 Tatara et al. .... D18/55

\* cited by examiner

*Primary Examiner*—Cathy Anne MacCormac

(74) *Attorney, Agent, or Firm*—Bacon & Thomas

(57) **CLAIM**

The ornamental design for a printer, as shown and described.

**DESCRIPTION**

FIG. 1 is a perspective view of a printer of the present design;

FIG. 2 is a right side view thereof;

FIG. 3 is a rear elevational view thereof;

FIG. 4 is a top plan view thereof;

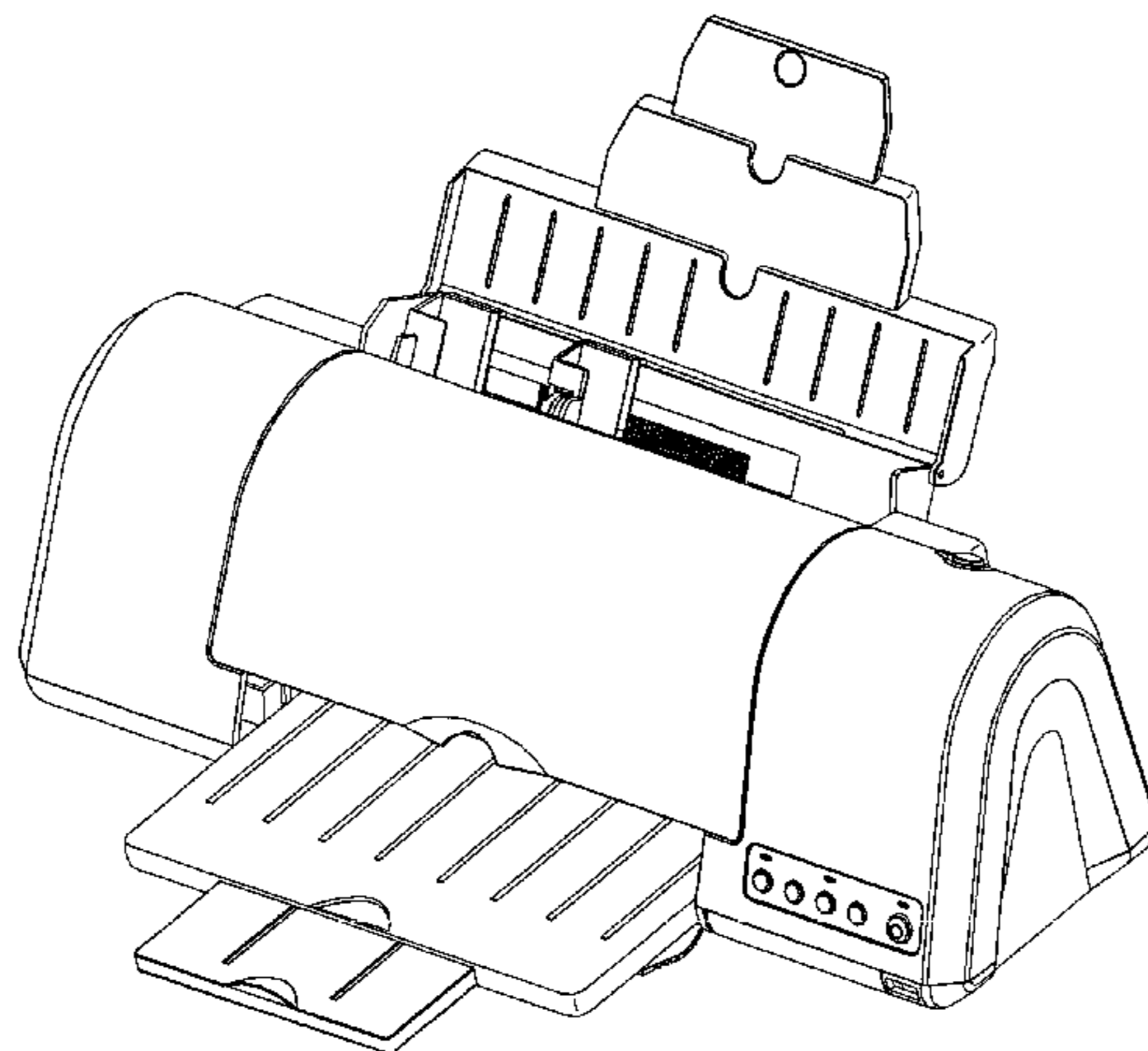
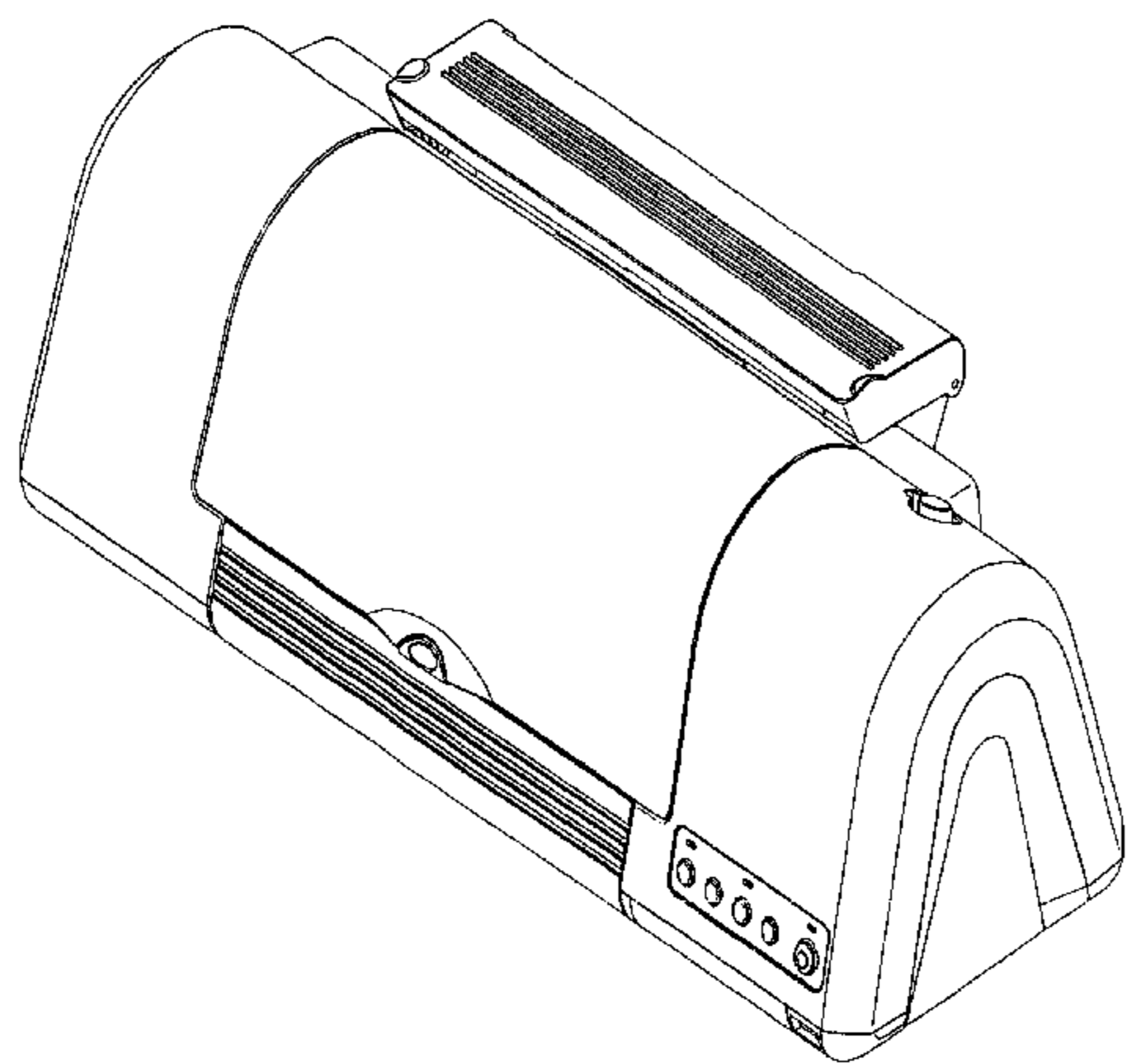
FIG. 5 is a front elevational view thereof;

FIG. 6 is a left side view thereof; and

FIG. 7 is a bottom plan view thereof; and,

FIG. 8 is another perspective view showing the printer in an alternate position.

**1 Claim, 8 Drawing Sheets**



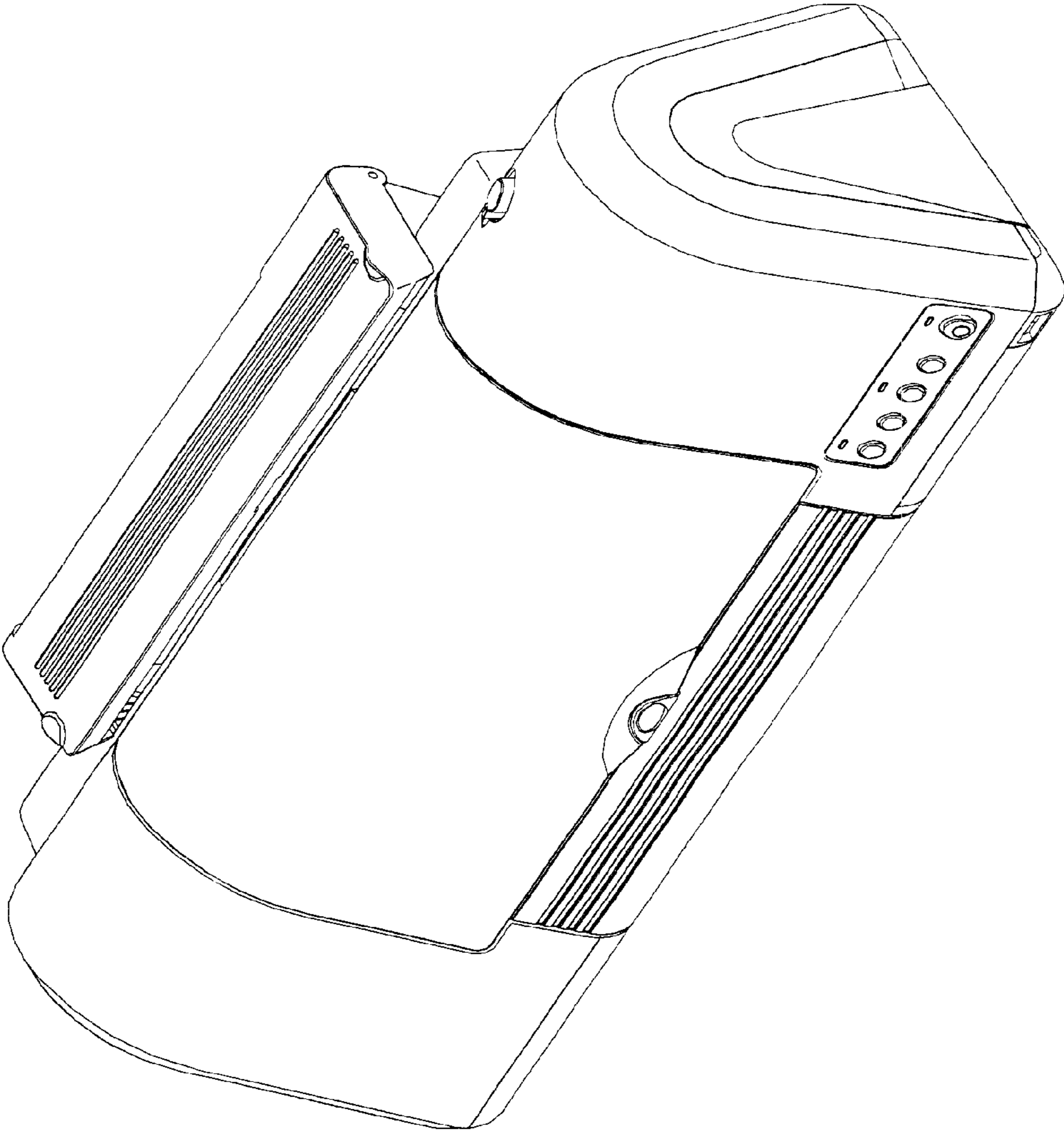


FIG. 1

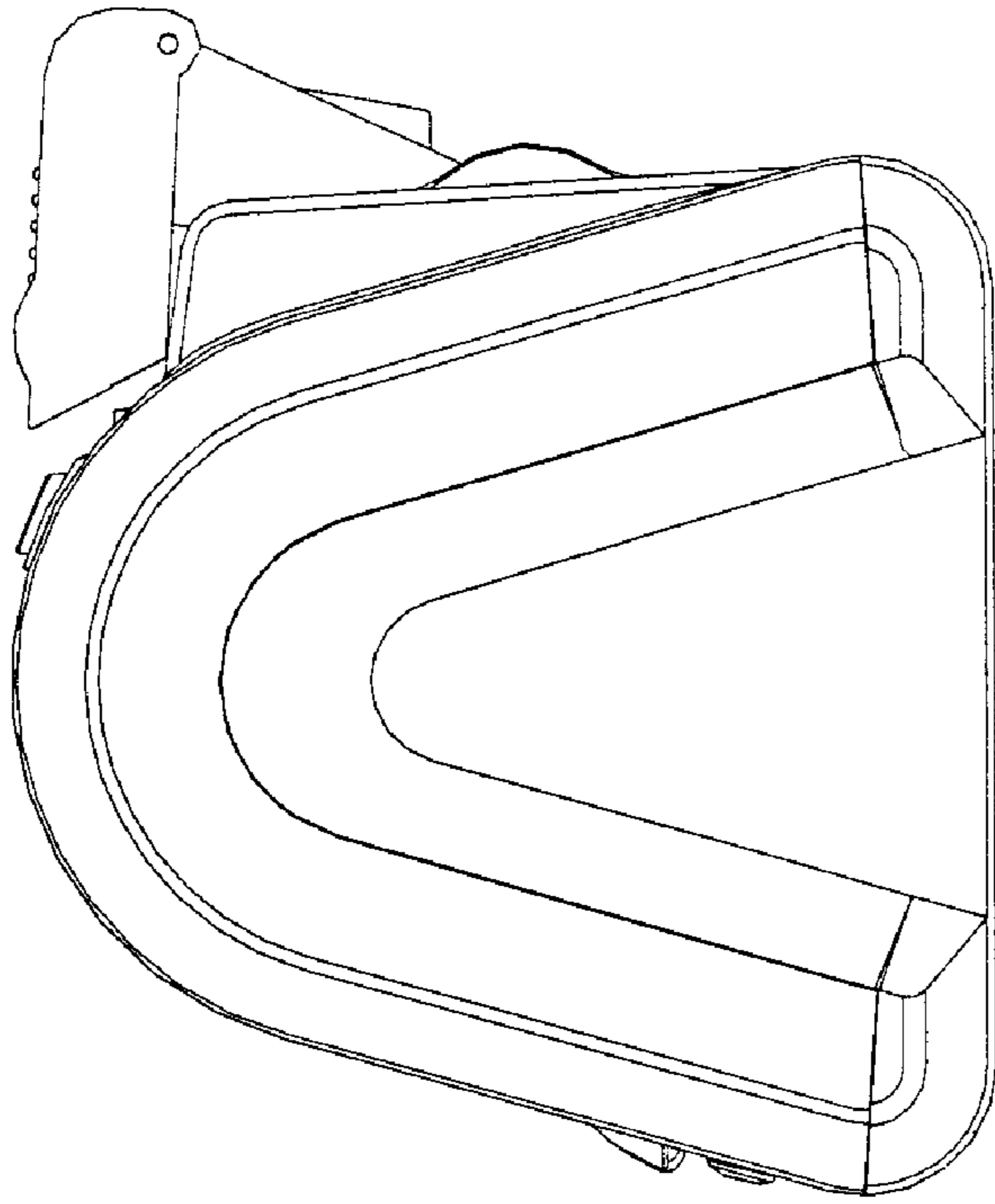


FIG. 2

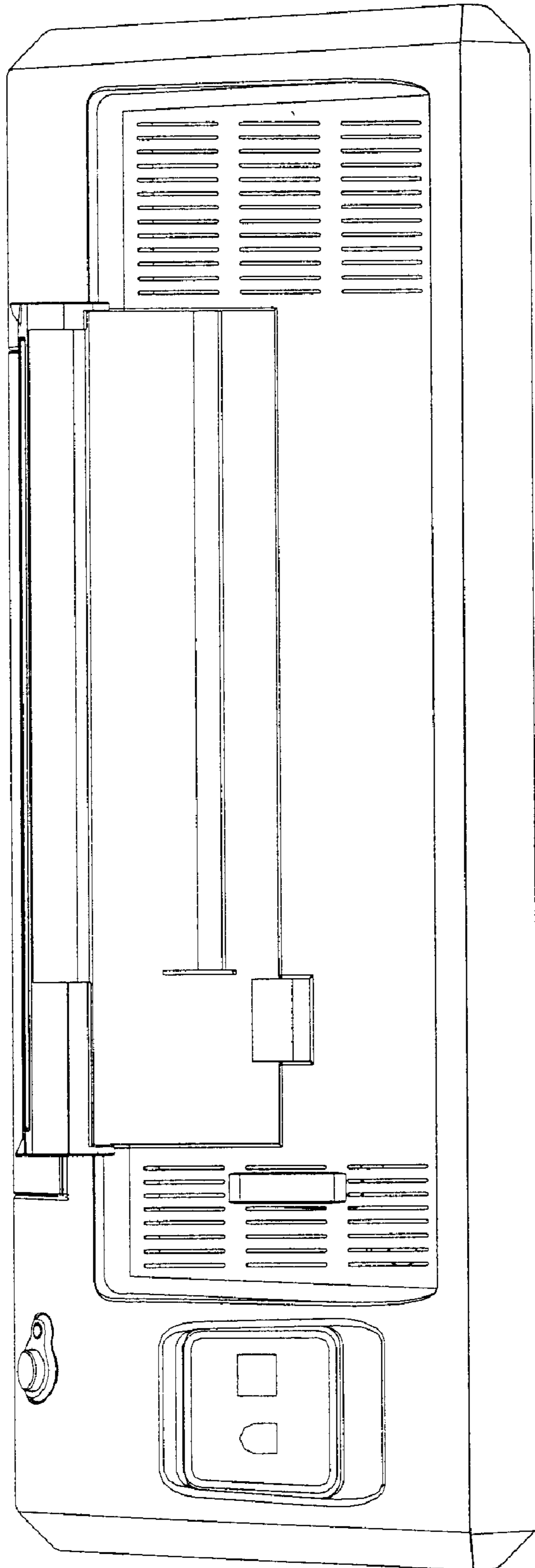


FIG. 3

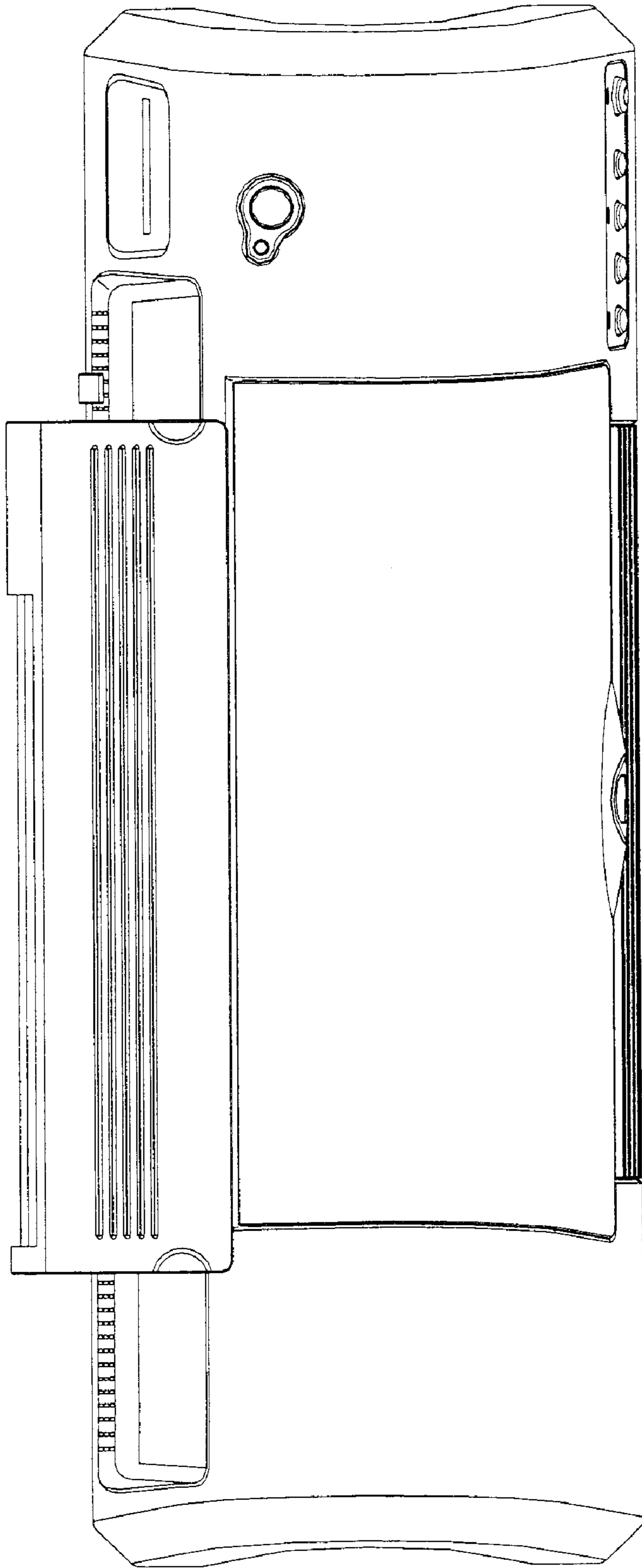


FIG. 4

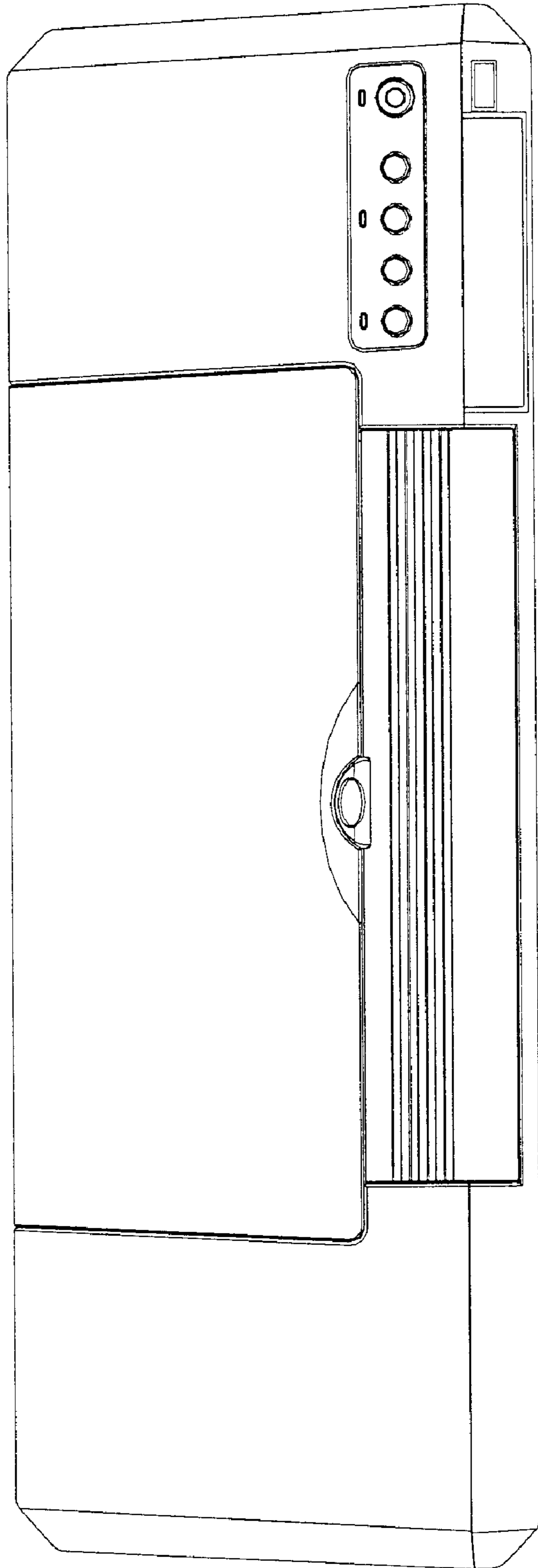


FIG. 5



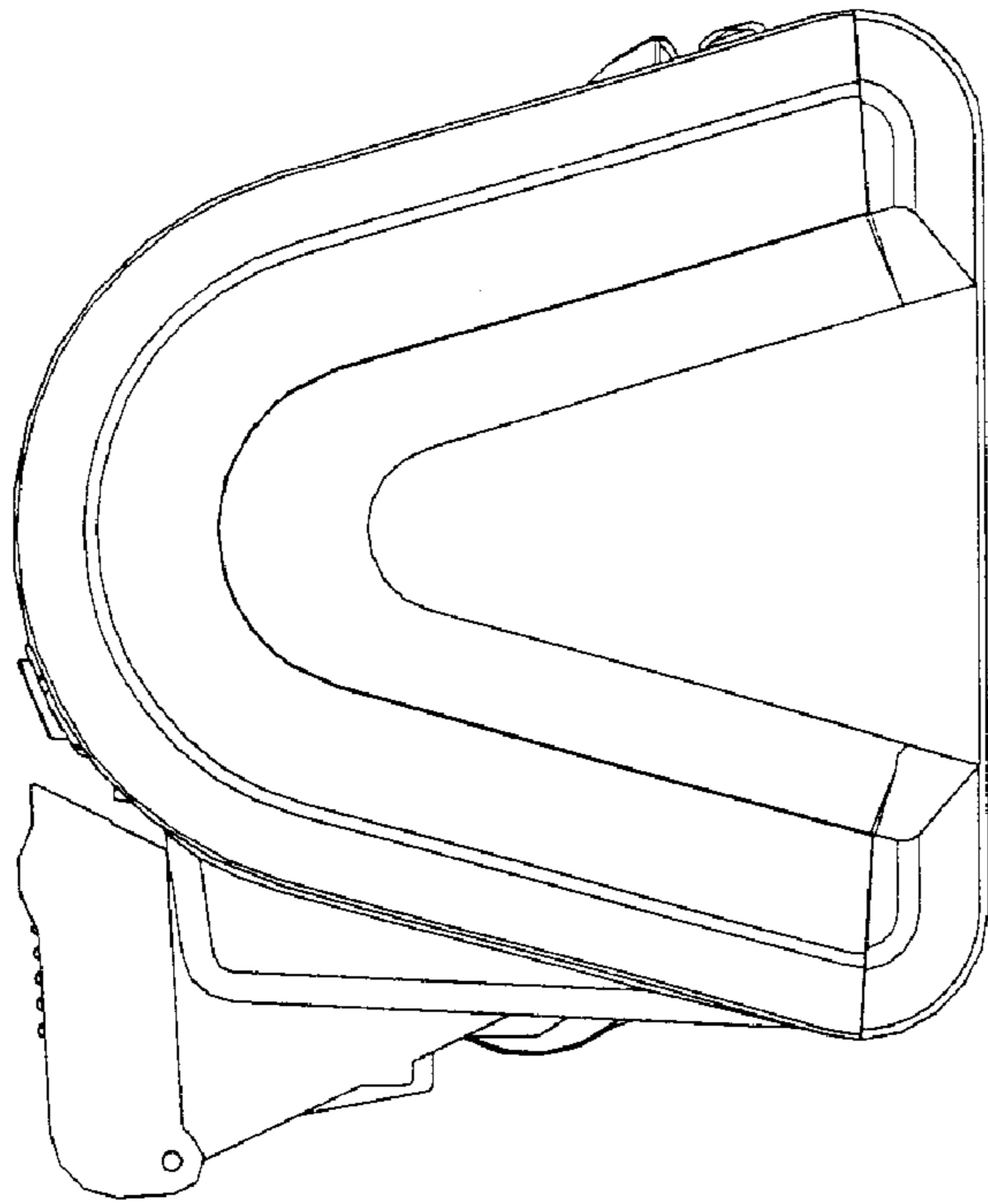


FIG. 6

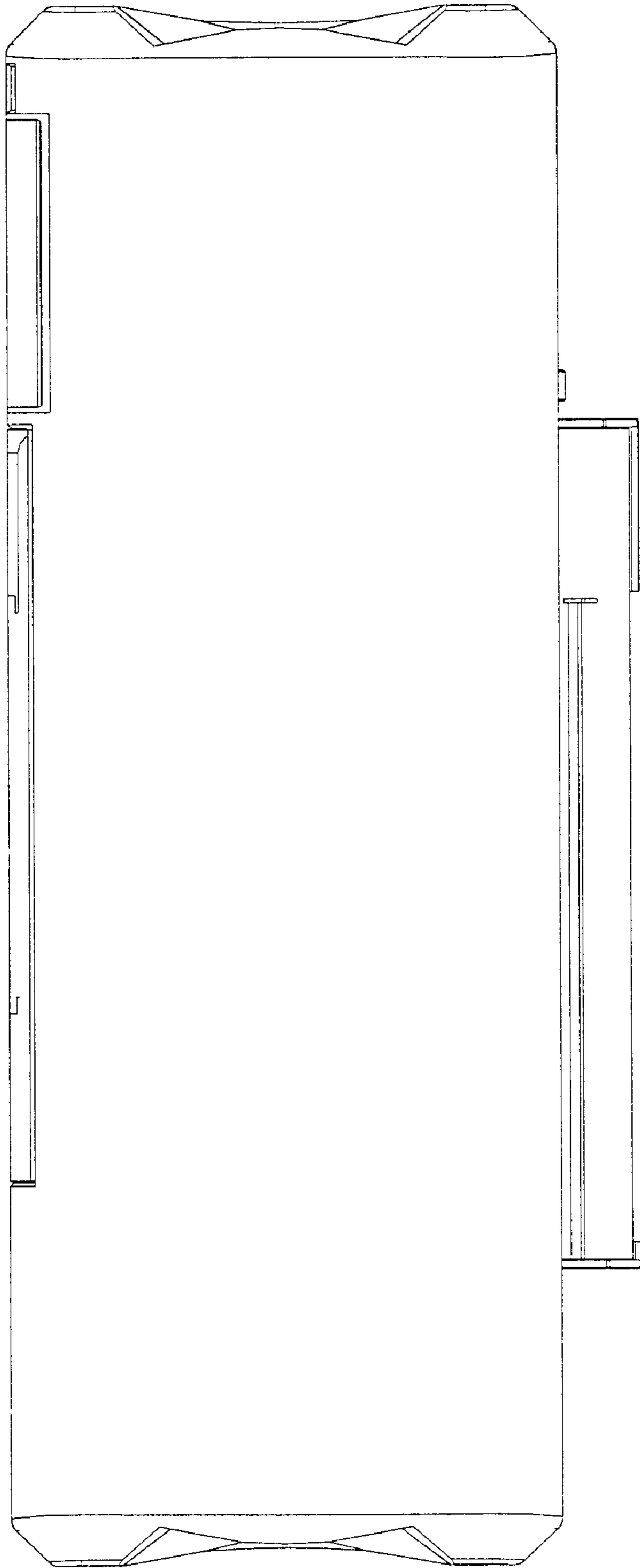


FIG. 7



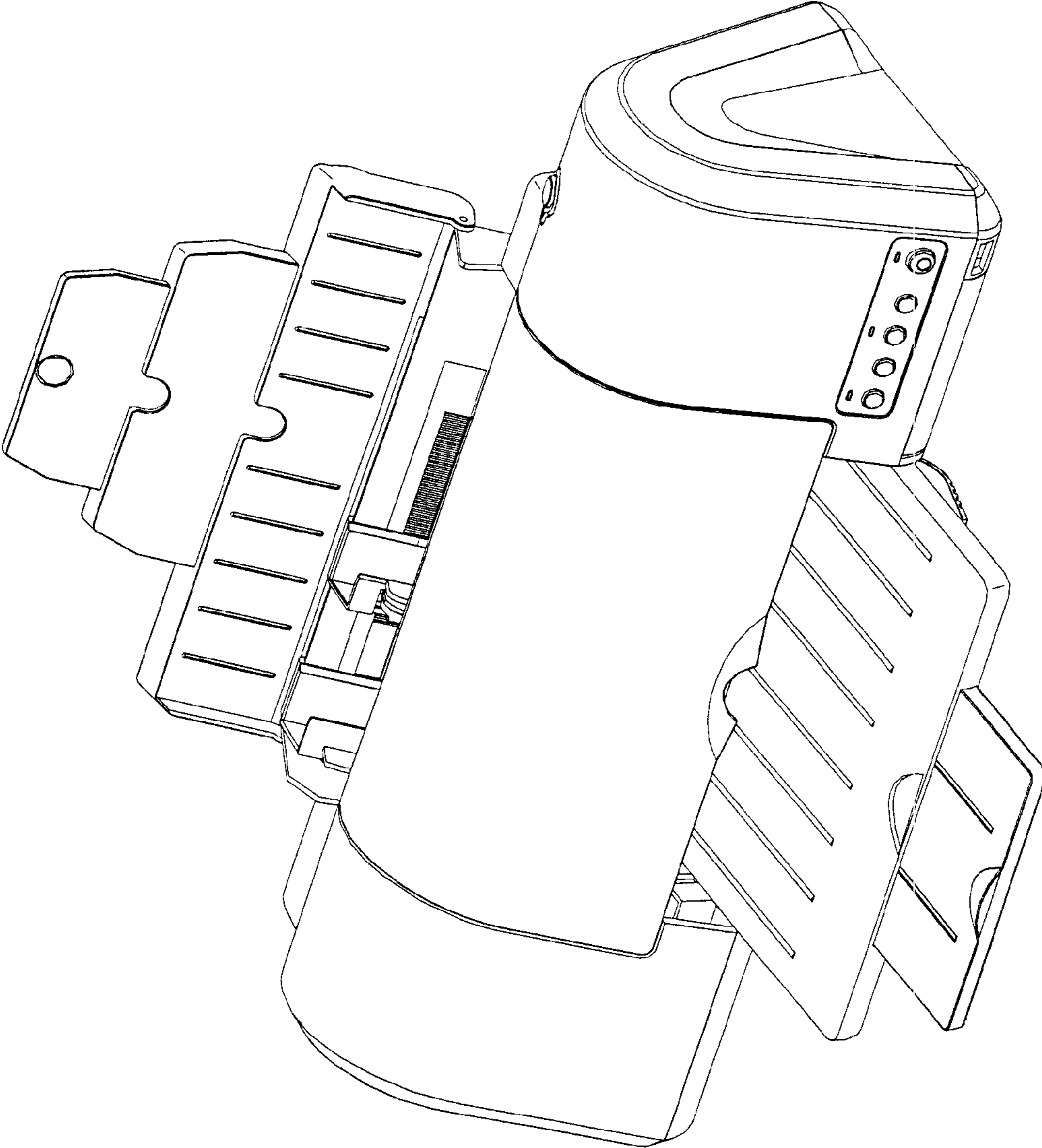


FIG. 8