

US00D530363S

(12) **United States Design Patent**
Hattori

(10) **Patent No.:** **US D530,363 S**

(45) **Date of Patent:** **** Oct. 17, 2006**

(54) **PRINTER**

(75) Inventor: **Mitsuharu Hattori**, Nagoya (JP)

(73) Assignee: **Brother Industries, Ltd.**, Nagoya (JP)

(**) Term: **14 Years**

(21) Appl. No.: **29/225,752**

(22) Filed: **Mar. 21, 2005**

(30) **Foreign Application Priority Data**

Sep. 30, 2004 (JP) 2004-029823

(51) **LOC (8) Cl.** **14-02**

(52) **U.S. Cl.** **D18/55**

(58) **Field of Classification Search** D18/36–39,
D18/51, 53–54, 54.1, 55; D14/420–425,
D14/462–470; 399/107; 400/613, 613.1–613.4,
400/691–694

See application file for complete search history.

(56) **References Cited**

U.S. PATENT DOCUMENTS

- D254,072 S * 1/1980 Saito D14/470
- D267,948 S * 2/1983 Kojima et al. D14/469
- D275,201 S * 8/1984 Taylor et al. D18/36
- D318,486 S * 7/1991 Yamamoto et al. D18/39
- D319,434 S * 8/1991 Lund D14/341
- D334,944 S * 4/1993 Yamamoto et al. D18/40

- D364,389 S * 11/1995 Shimizu D18/39
- D403,696 S * 1/1999 Kobayashi et al. D18/40
- D409,165 S * 5/1999 Kobayashi et al. D14/424
- D492,719 S * 7/2004 Schmitt et al. D18/50
- D514,574 S * 2/2006 Yanagisawa et al. D14/420
- 2004/0247338 A1 * 12/2004 Makino 399/107
- 2006/0008292 A1 * 1/2006 Watanabe 399/107

* cited by examiner

Primary Examiner—Cathy Anne MacCormac

(74) *Attorney, Agent, or Firm*—Oliff & Berridge, PLC

(57) **CLAIM**

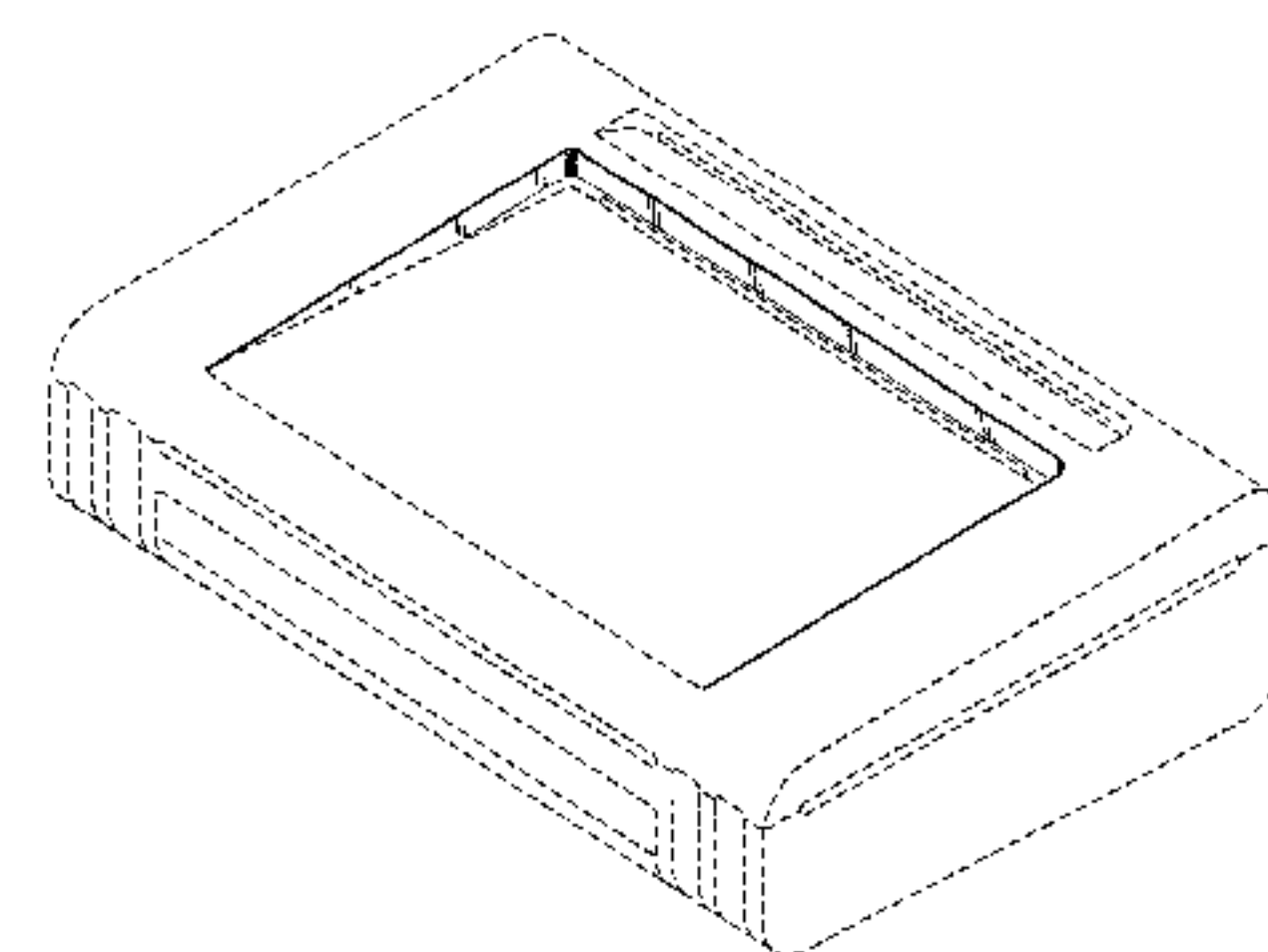
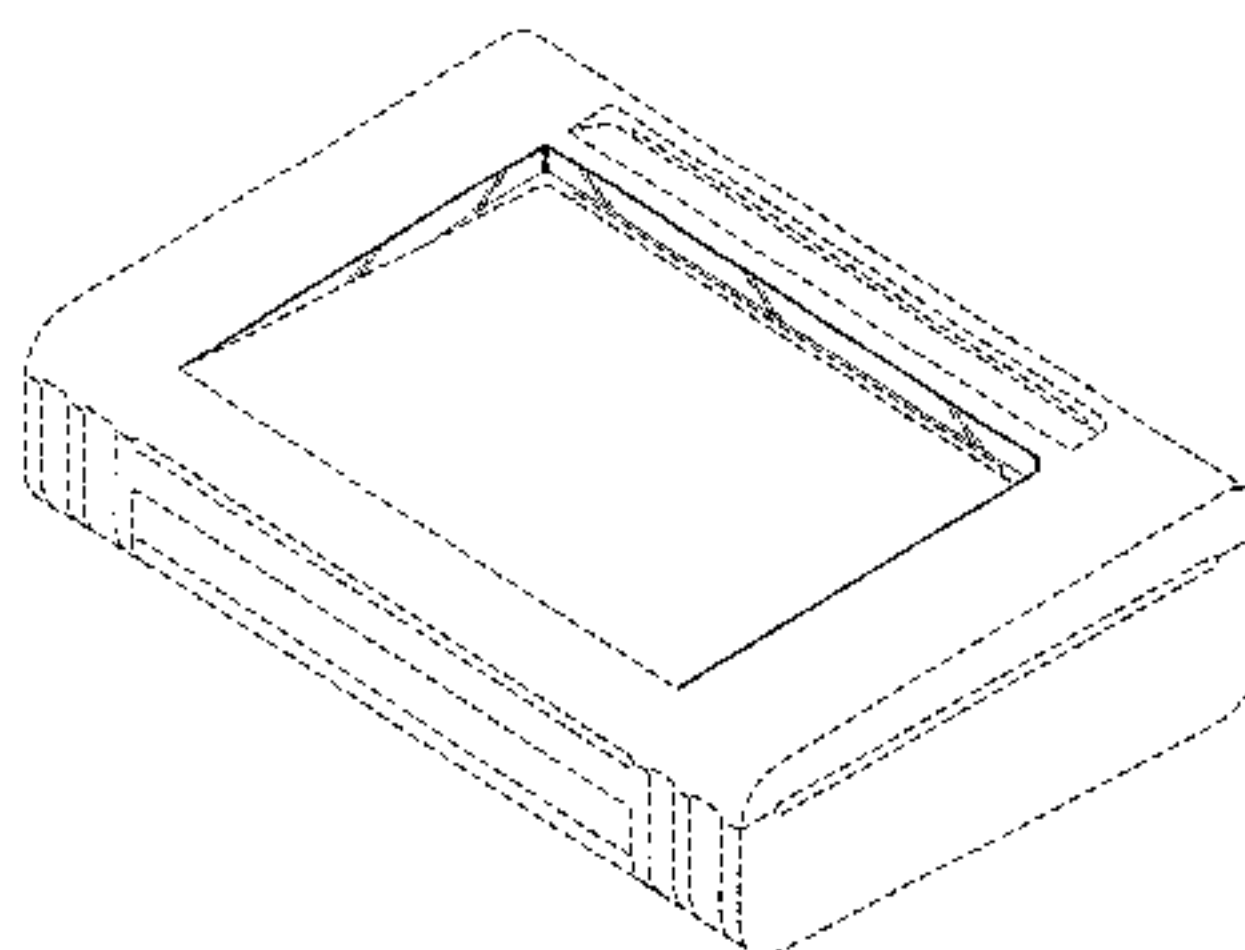
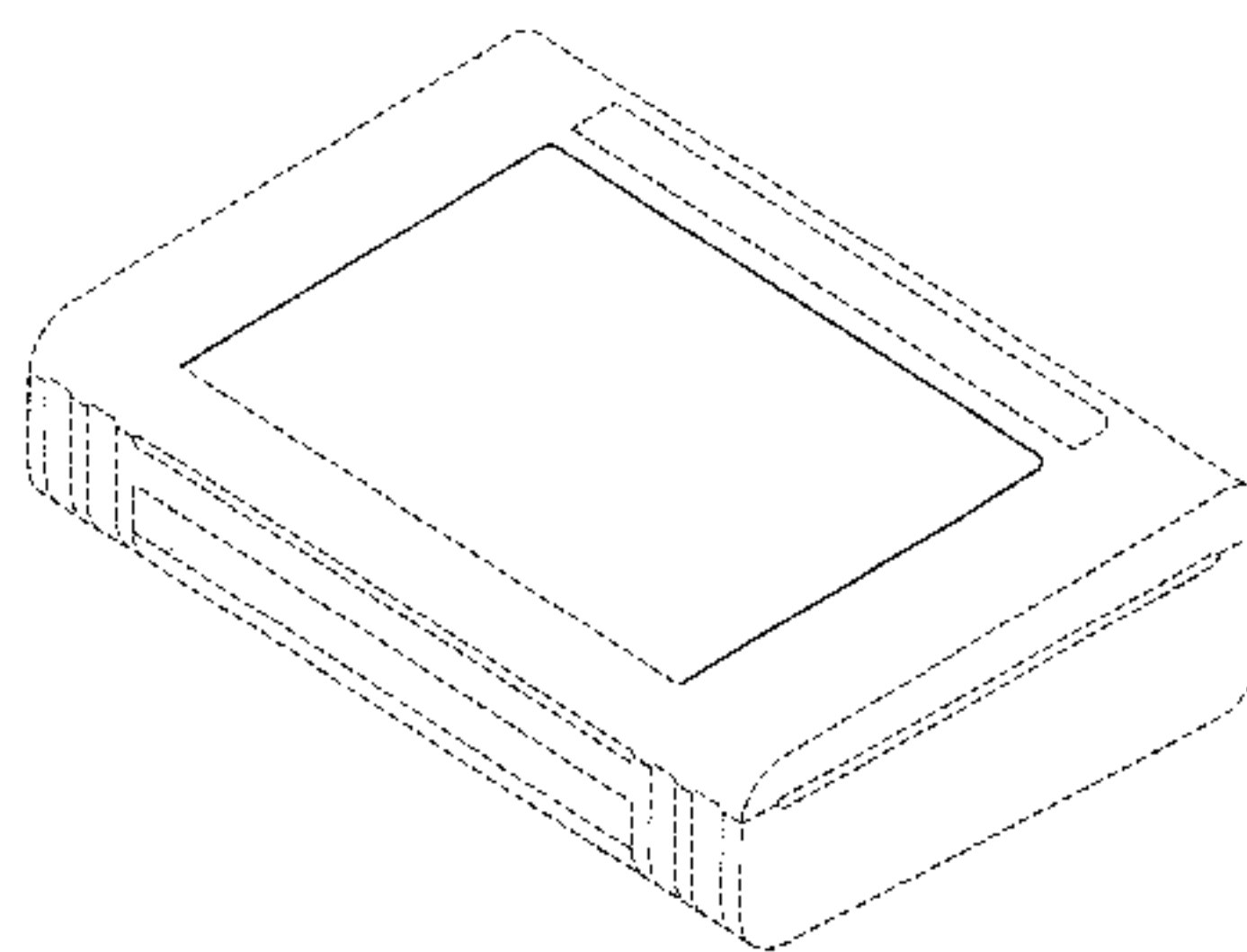
The ornamental design for printer, as shown and described.

DESCRIPTION

FIG. 1 is a perspective view of a printer;
 FIG. 2 is a front view thereof;
 FIG. 3 is a top view thereof;
 FIG. 4 is a perspective view thereof similar to FIG. 1, with a cover of a manual paper feeding portion in open positions;
 FIG. 5 is another perspective view of FIG. 4;
 FIG. 6 is perspective view of another embodiment of a printer, with a cover of a manual paper feeding portion in open positions; and,
 FIG. 7 is another perspective view of FIG. 6.

The broken lines are for illustrative purposes only and form no part of the claimed design.

1 Claim, 4 Drawing Sheets



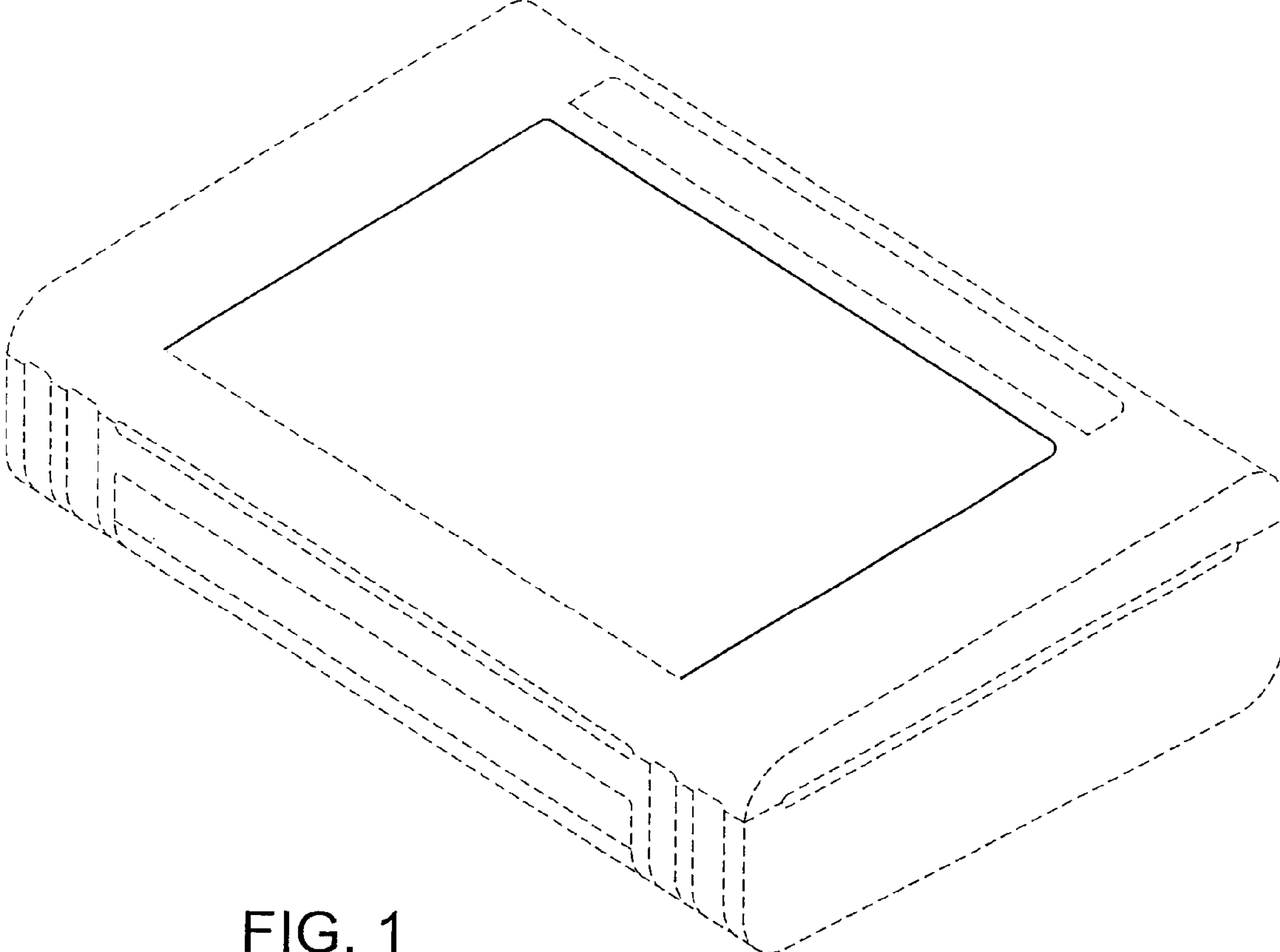


FIG. 1

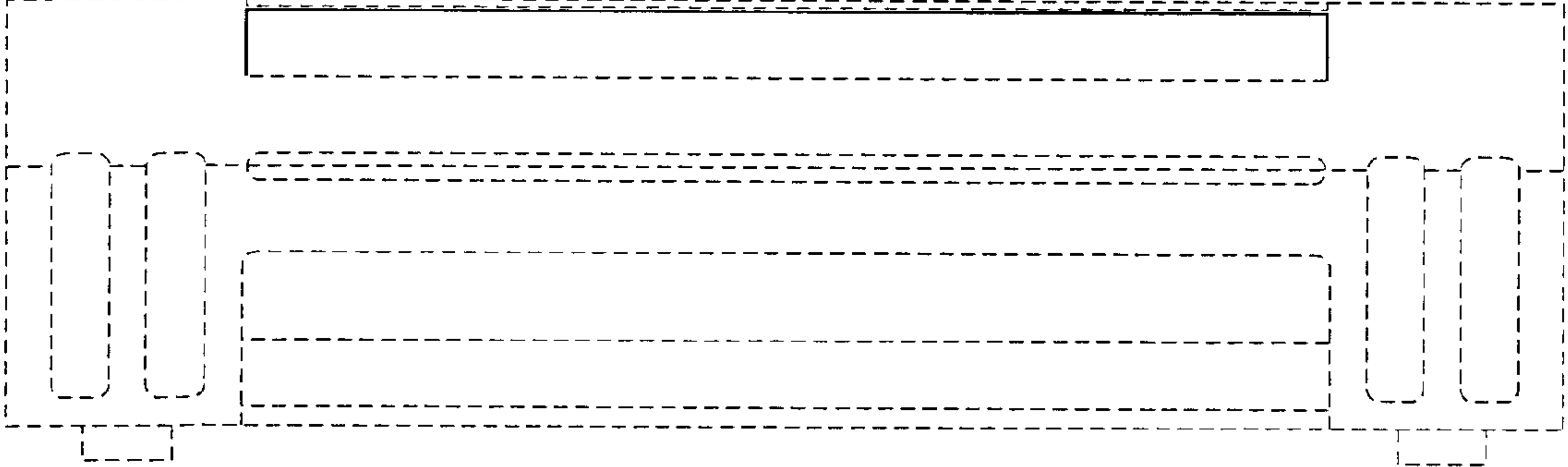


FIG. 2

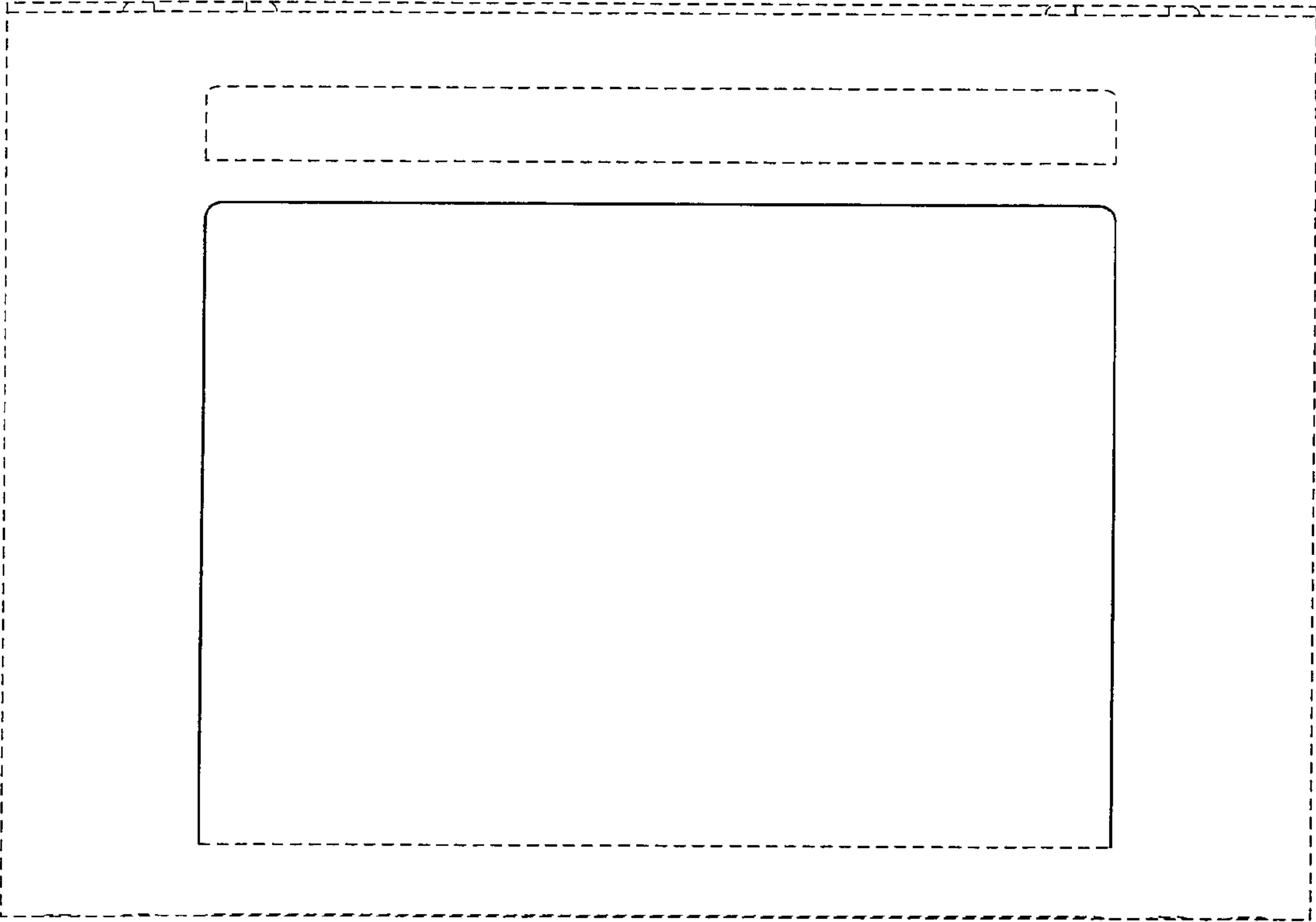


FIG. 3

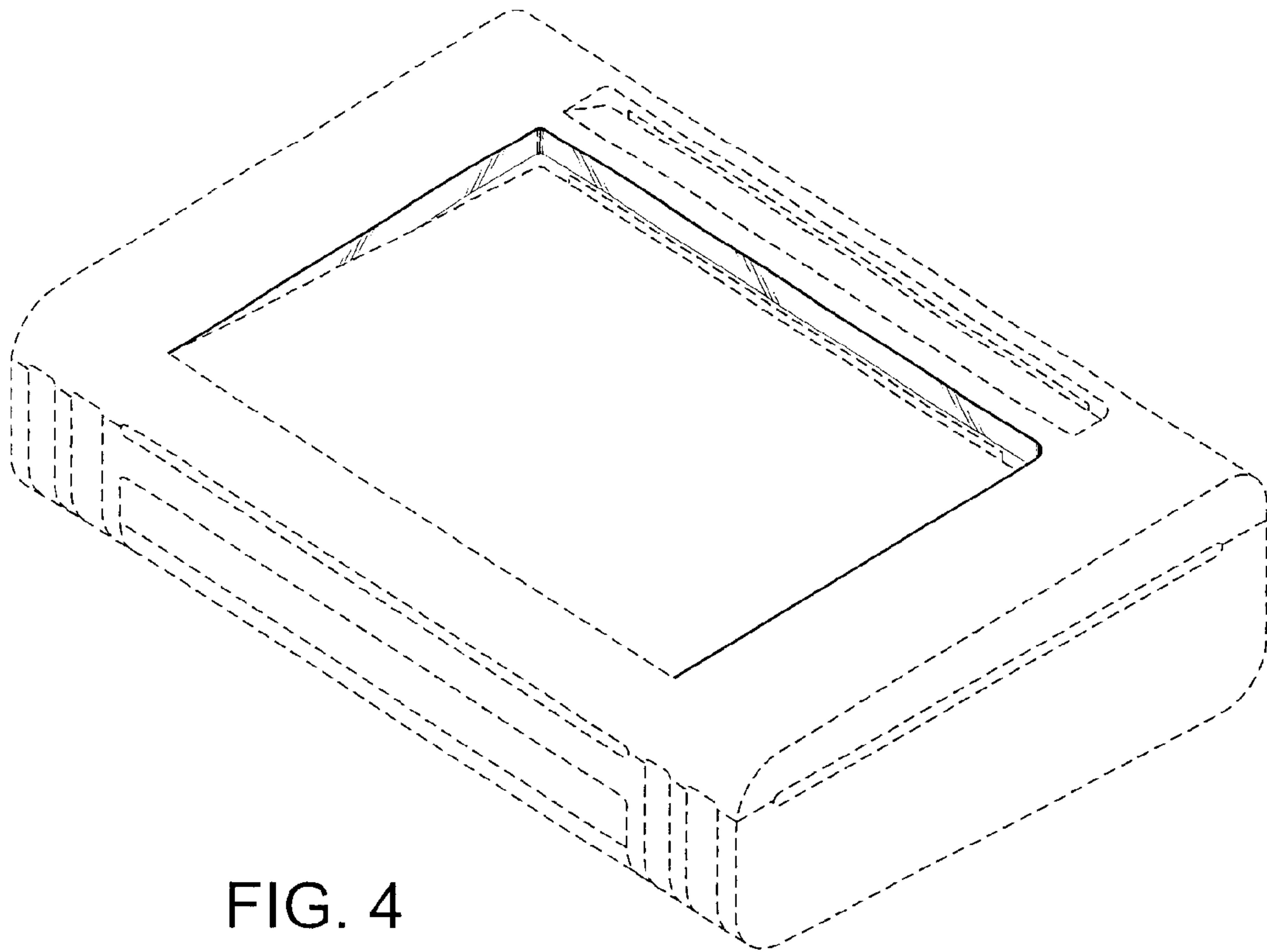


FIG. 4

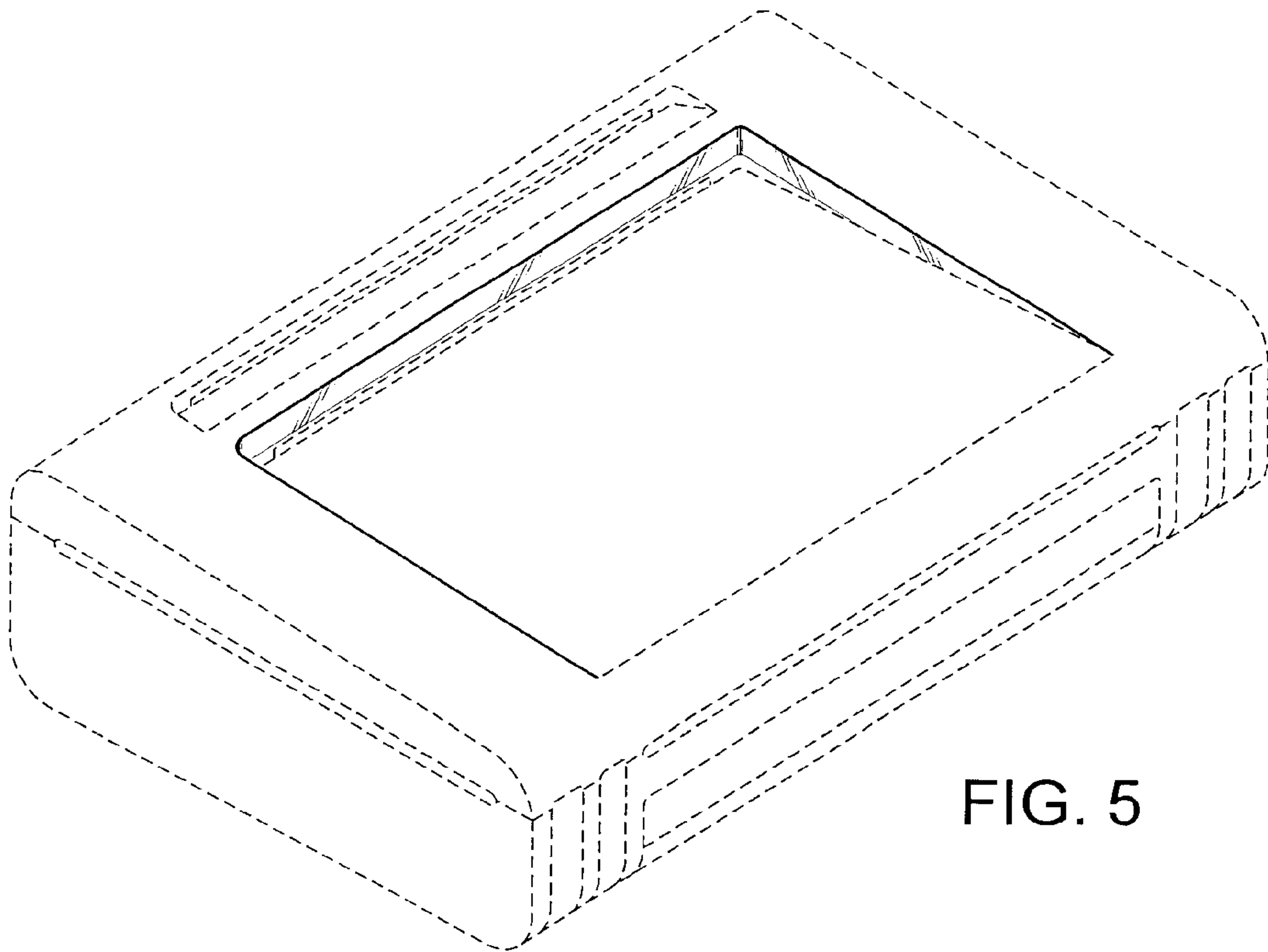


FIG. 5

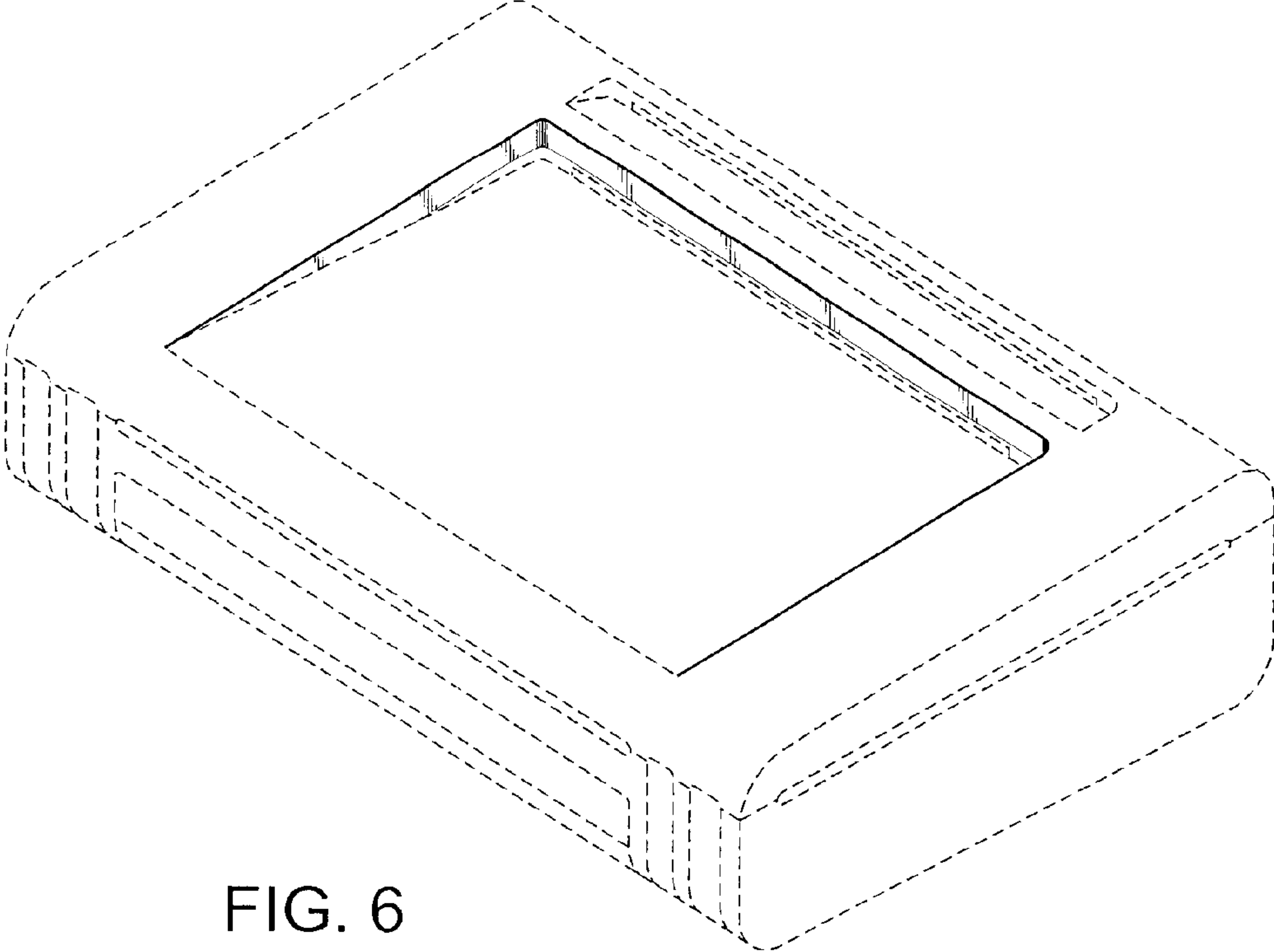


FIG. 6

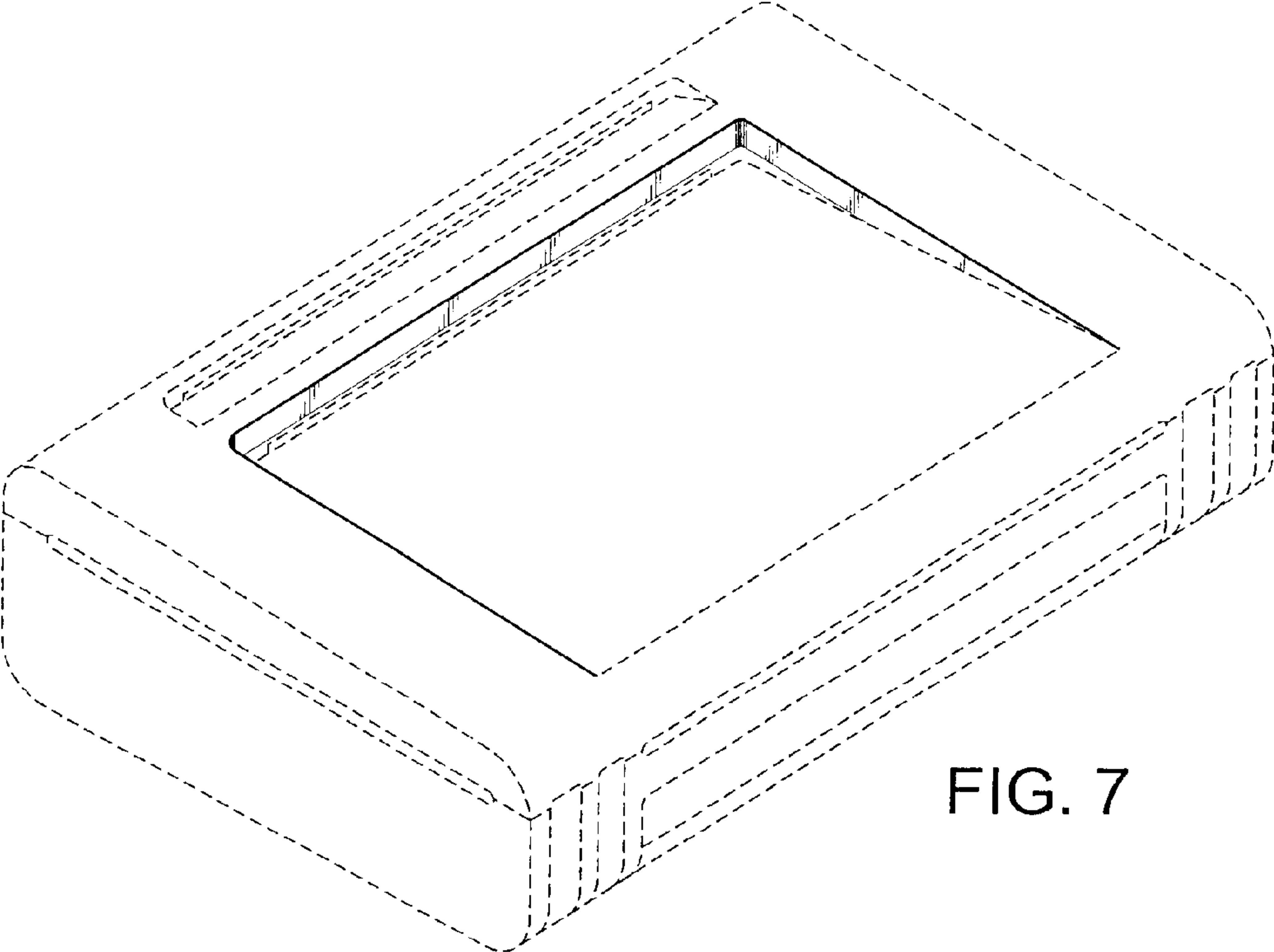


FIG. 7