



US00D530362S

(12) **United States Design Patent**  
**Katayama et al.**

(10) **Patent No.:** **US D530,362 S**

(45) **Date of Patent:** **\*\* Oct. 17, 2006**

(54) **COMBINED PRINTER AND SCANNER**

(75) Inventors: **Shigeharu Katayama**, Kakamigahara (JP); **Yasutake Yamaguchi**, Chiryu (JP); **Yousuke Mase**, Chita-gun (JP); **Shinji Kojima**, Nagoya (JP)

(73) Assignee: **Brother Industries, Ltd.**, Nagoya (JP)

(\*\*) Term: **14 Years**

(21) Appl. No.: **29/225,712**

(22) Filed: **Mar. 21, 2005**

(30) **Foreign Application Priority Data**

Sep. 30, 2004 (JP) ..... 2004-029826

(51) **LOC (8) Cl.** ..... **14-02**

(52) **U.S. Cl.** ..... **D18/50; 14/423**

(58) **Field of Classification Search** ..... D18/36-39, D18/51, 53-54, 54.1, 55; D14/420-425, D14/462-470, 426-427; 399/107; 400/613, 400/613.1-613.4, 691-694; D6/479-480  
See application file for complete search history.

(56) **References Cited**

**U.S. PATENT DOCUMENTS**

D251,250 S \* 3/1979 Levine ..... D18/38  
D309,539 S \* 7/1990 Lewis ..... D6/479  
D408,806 S \* 4/1999 Schmidt et al. .... D14/420  
D477,838 S \* 7/2003 Huang ..... D18/39

D482,214 S \* 11/2003 Weaver ..... D6/480  
D495,355 S \* 8/2004 Mudd et al. .... D16/232  
D508,802 S \* 8/2005 Risdon et al. .... D6/480  
2002/0140806 A1 \* 10/2002 Abe et al. .... 348/65

\* cited by examiner

*Primary Examiner*—Cathy Anne MacCormac

(74) *Attorney, Agent, or Firm*—Oliff & Berridge, PLC

(57) **CLAIM**

The ornamental design for combined printer and scanner, as shown and described.

**DESCRIPTION**

FIG. 1 is a perspective view of a combined printer and scanner;

FIG. 2 is a front view thereof;

FIG. 3 is a top view thereof;

FIG. 4 is a right view thereof;

FIG. 5 is a left view thereof;

FIG. 6 is a rear view thereof;

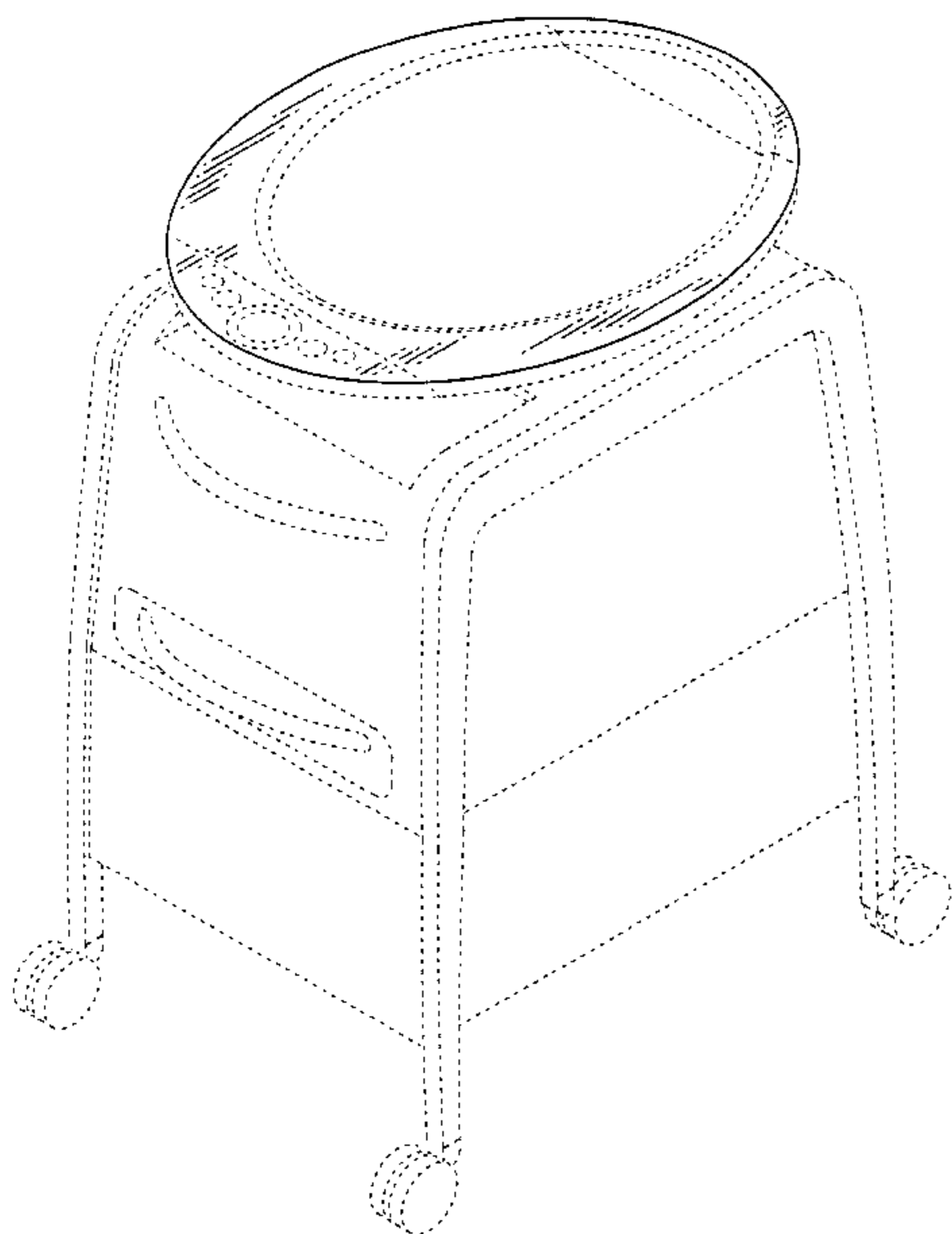
FIG. 7 is a top view thereof similar to FIG. 3 with a scanner in a rotated position;

FIG. 8 is a right side view similar to FIG. 4 with a scanner in an elevated position; and,

FIG. 9 is a perspective view thereof similar to FIG. 1 with a scanner cover in an open position.

The broken lines are for illustrative purposes only and form no part of the claimed design.

**1 Claim, 6 Drawing Sheets**



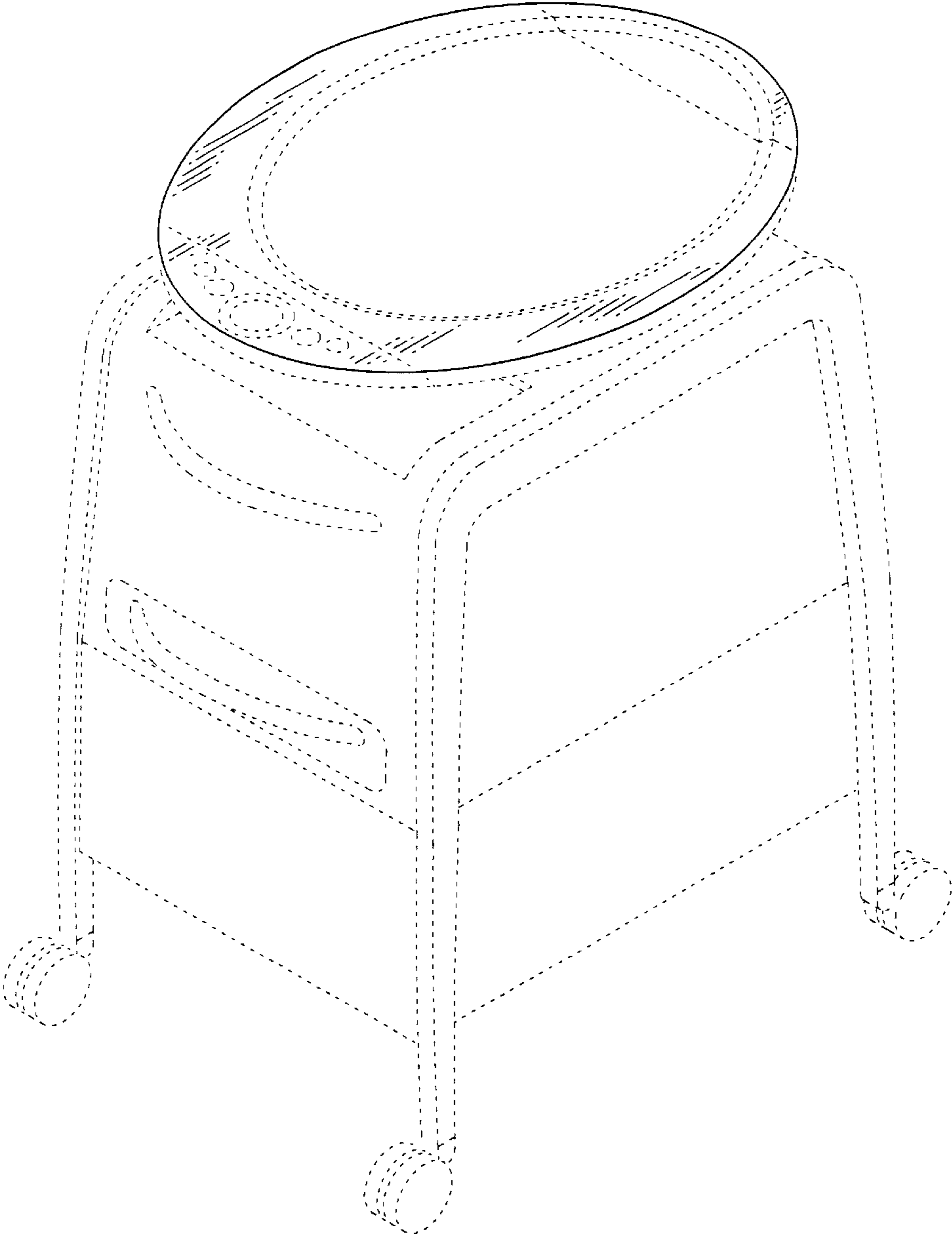


Fig. 1

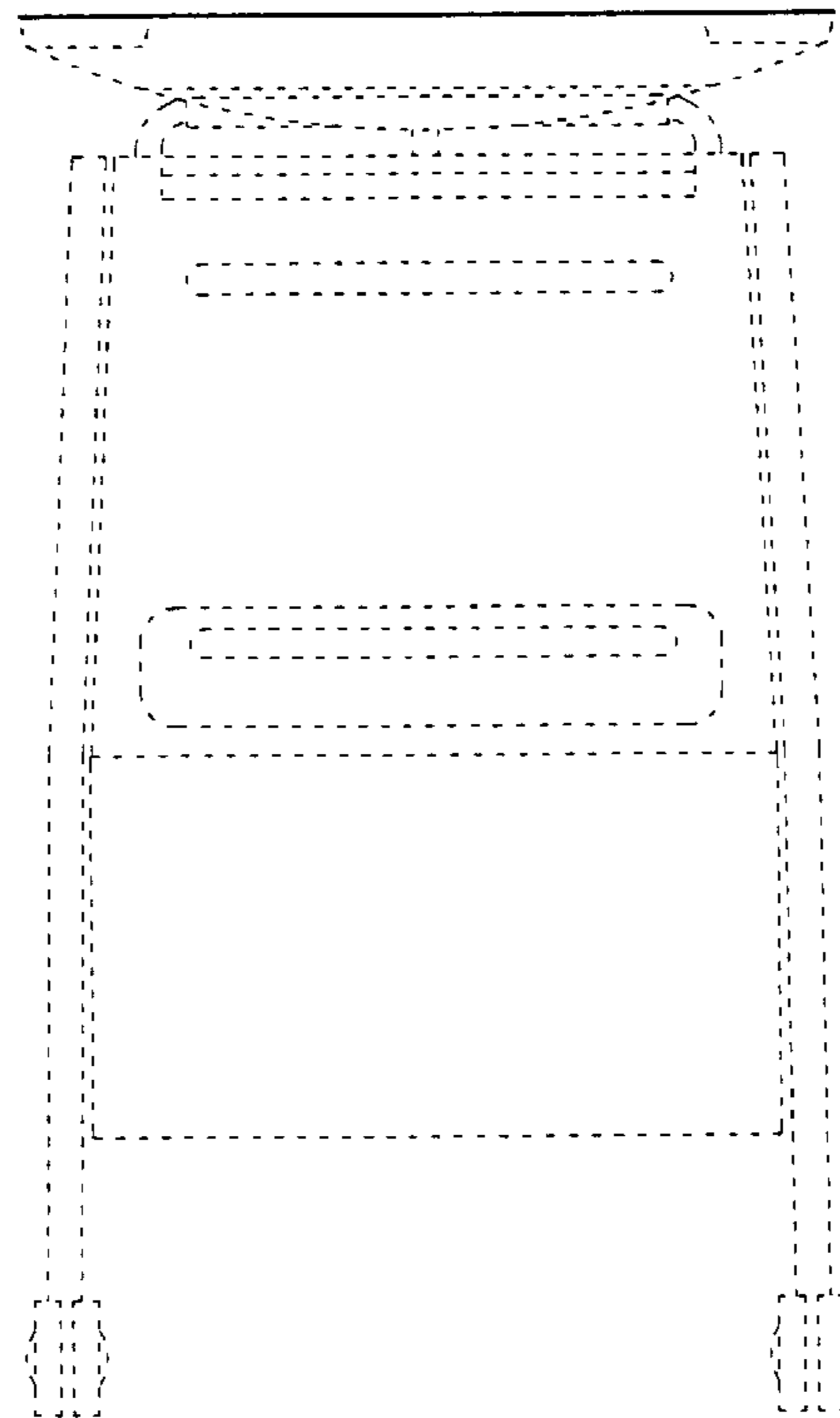


Fig. 2

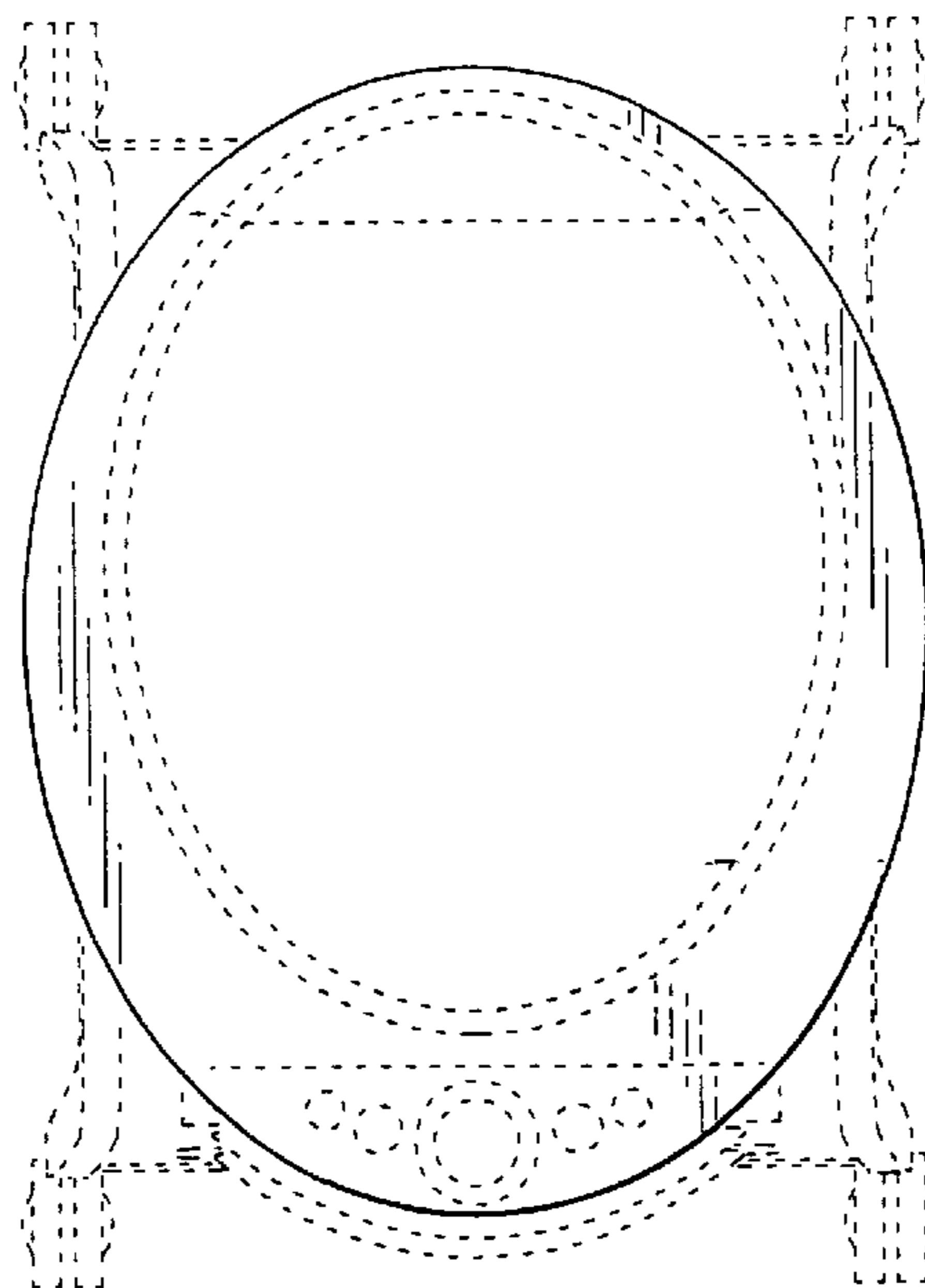


Fig. 3

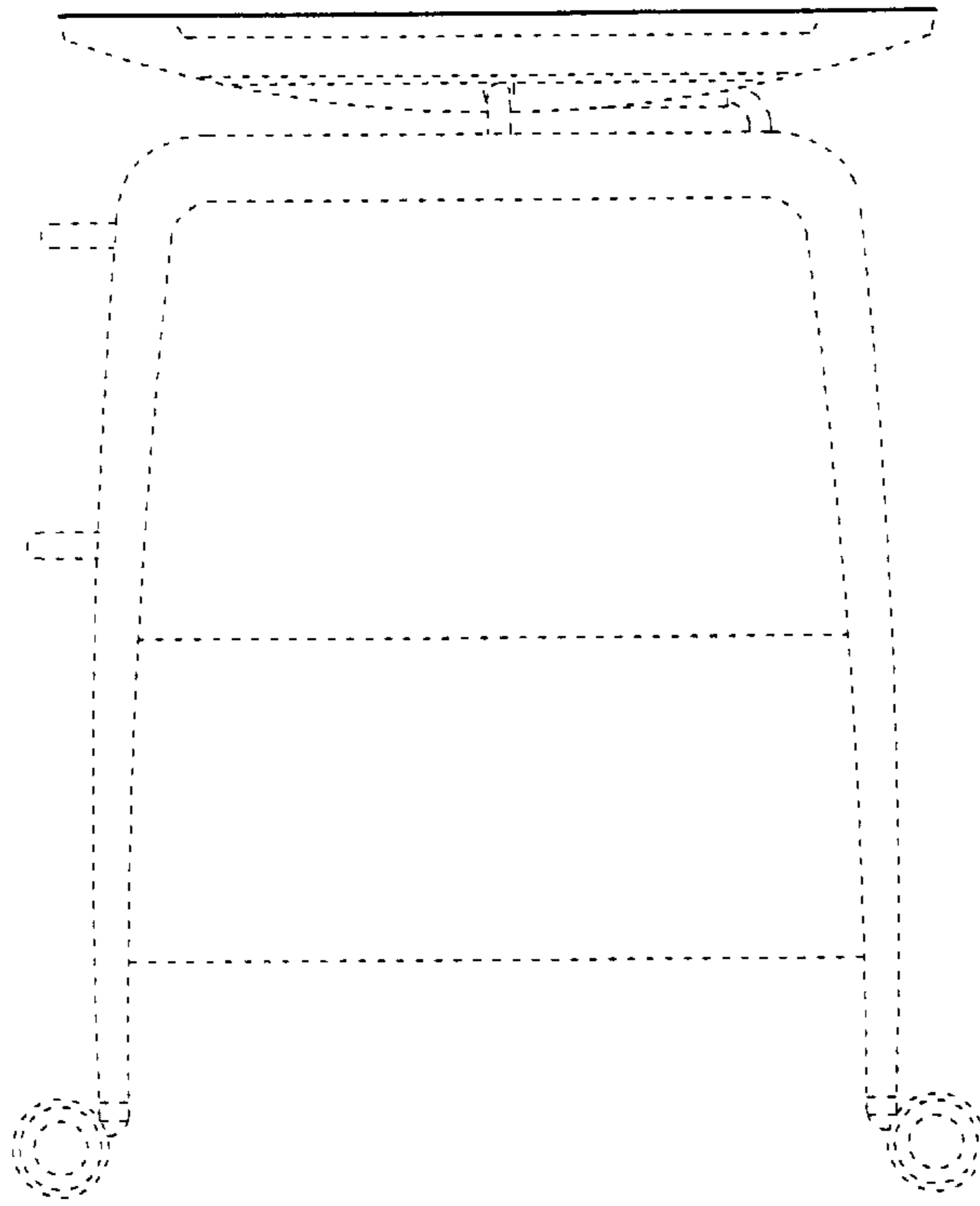


Fig. 4

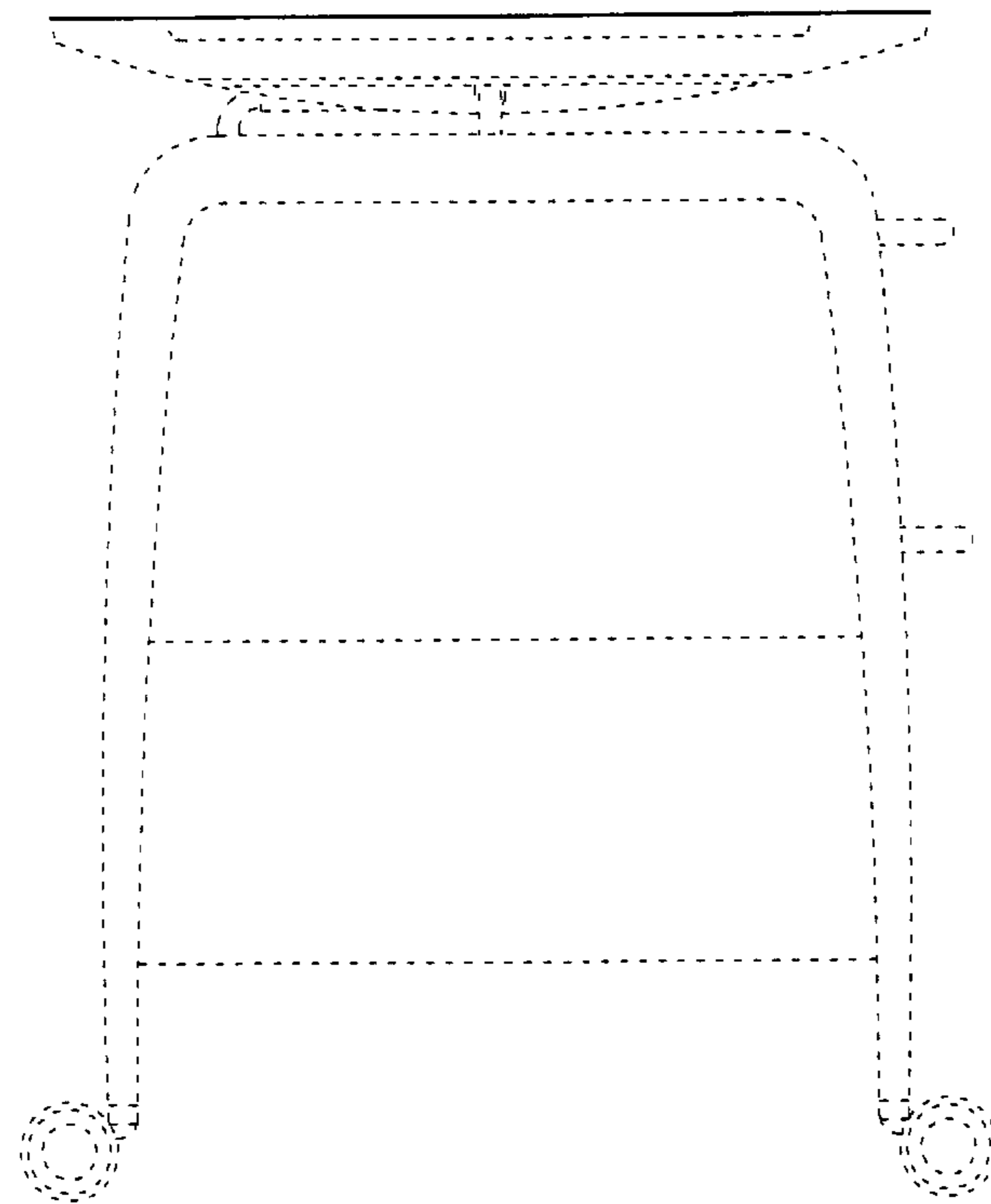


Fig. 5

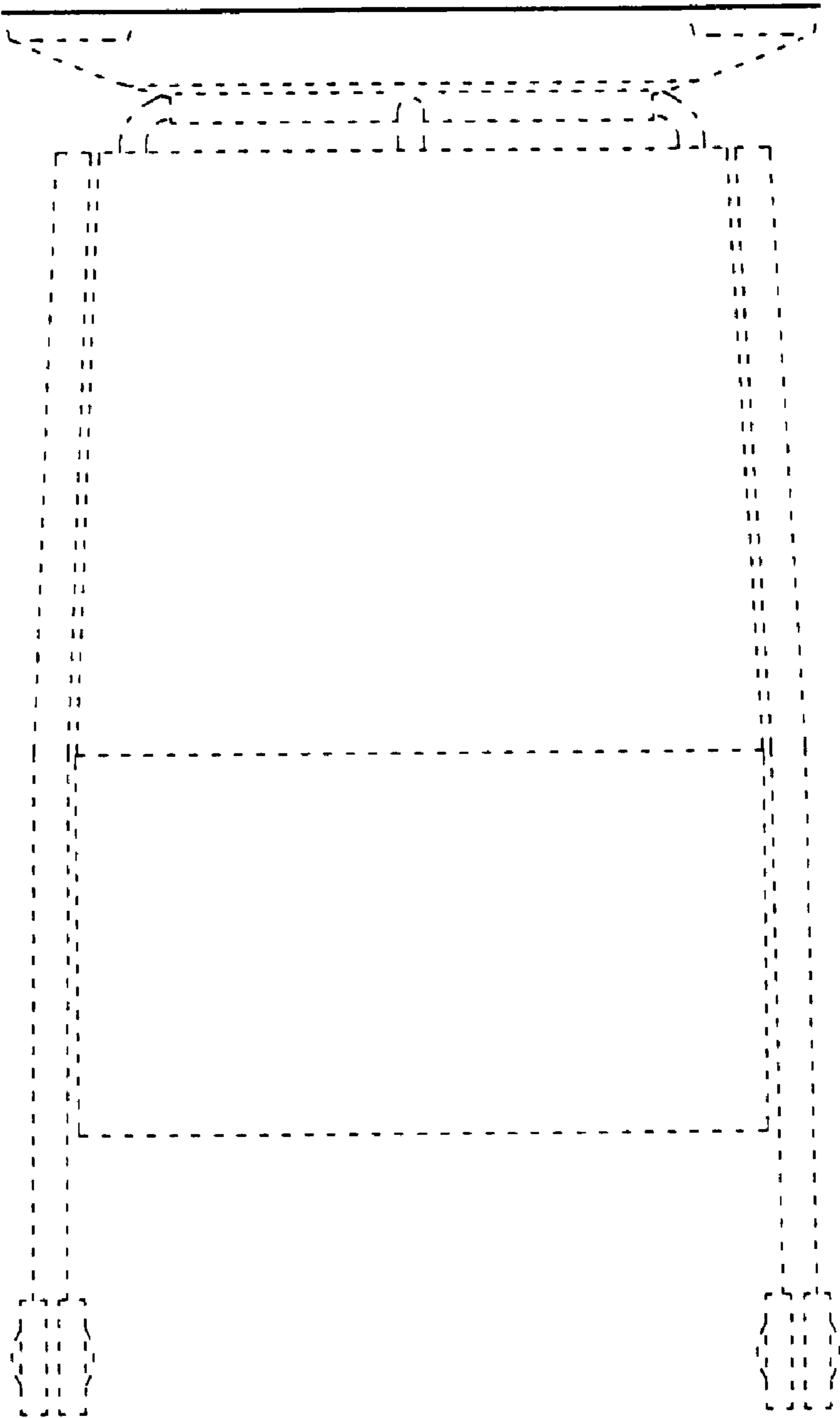


Fig. 6

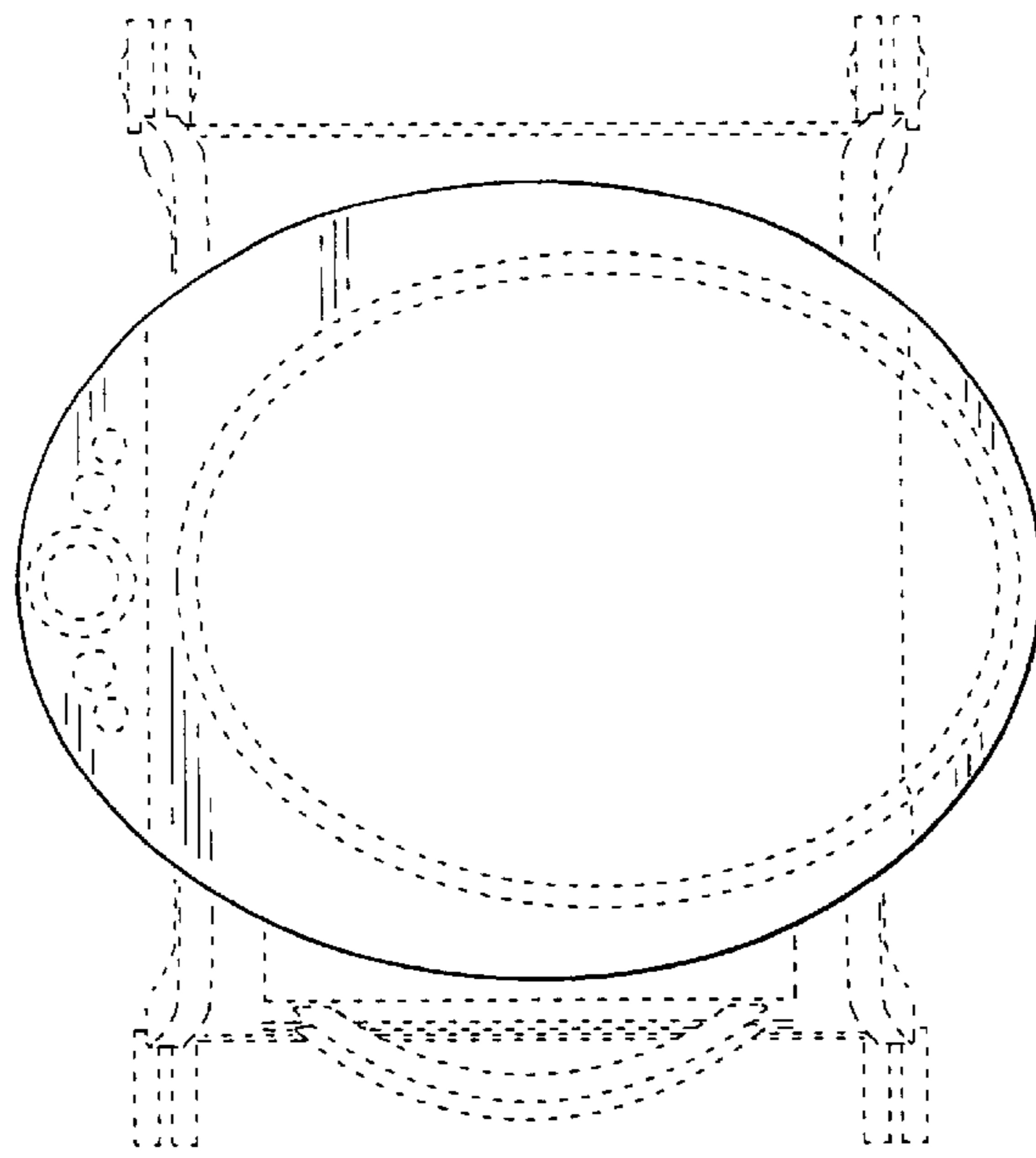


Fig. 7

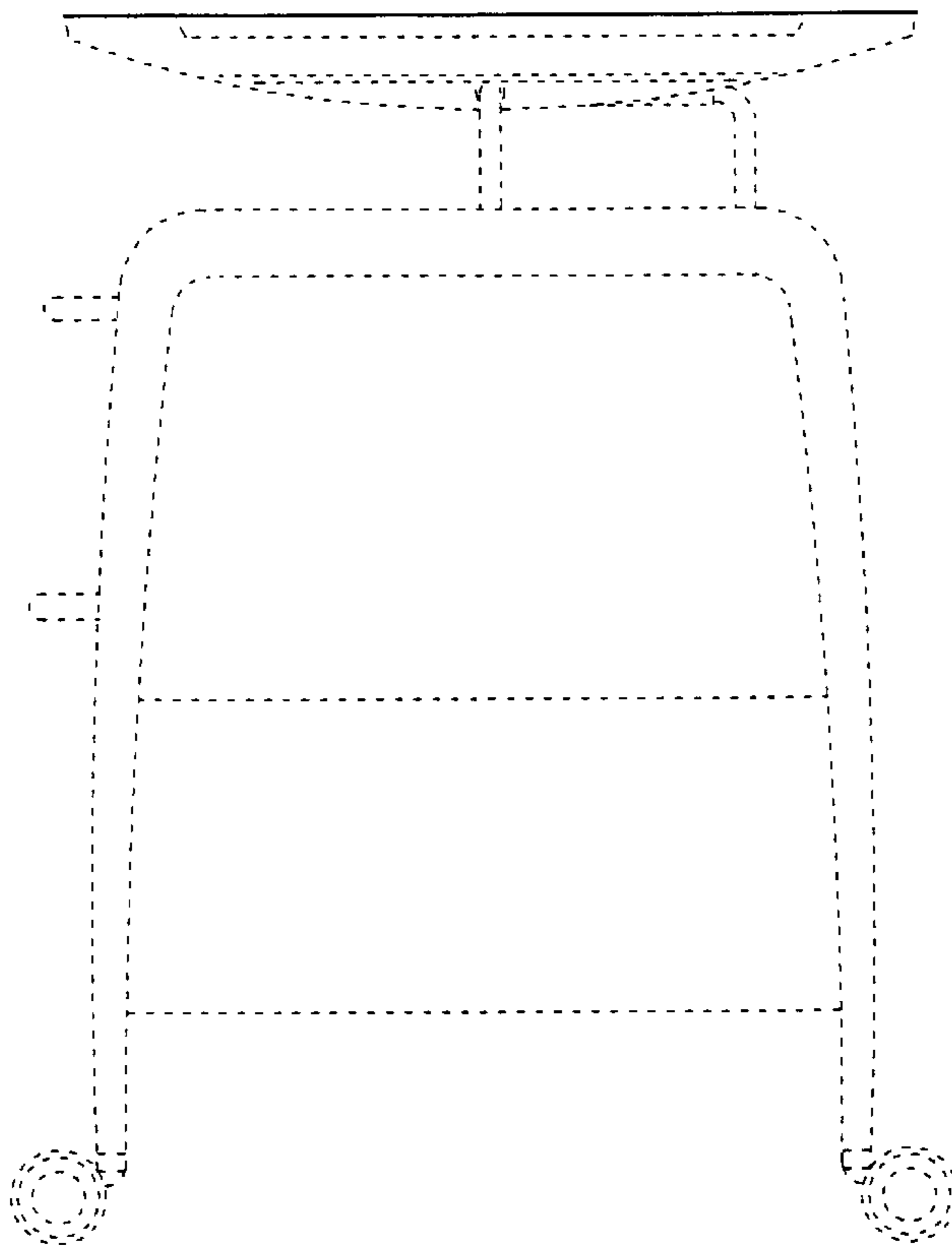


Fig. 8



Fig. 9