



US00D530361S

(12) **United States Design Patent**
Chambers

(10) **Patent No.:** **US D530,361 S**

(45) **Date of Patent:** **** Oct. 17, 2006**

(54) **PRINTER**

(75) Inventor: **Richard G. Chambers**, Portland, OR
(US)

(73) Assignee: **Xerox Corporation**, Stamford, CT
(US)

(**) Term: **14 Years**

(21) Appl. No.: **29/195,932**

(22) Filed: **Dec. 17, 2003**

(51) **LOC (8) Cl.** **18-02**

(52) **U.S. Cl.** **D18/50**

(58) **Field of Classification Search** D18/19,
D18/36-41, 50, 53, 54, 54.1, 55; D14/420-425,
D14/462-470; 400/613, 613.1-613.4, 690.1-690.4,
400/691-694

See application file for complete search history.

(56) **References Cited**

U.S. PATENT DOCUMENTS

D325,216 S * 4/1992 Girard D18/55
D353,155 S * 12/1994 Stewart et al. D18/50

D368,927 S * 4/1996 Kim D18/55
D371,157 S * 6/1996 Chambers D18/50
D403,015 S * 12/1998 Fetherolf D18/55
D403,350 S * 12/1998 Chambers et al. D18/55
D456,445 S * 4/2002 Kusanagi D18/55
6,722,764 B1 * 4/2004 Jones et al. D18/56

* cited by examiner

Primary Examiner—Louis S. Zarfaz

Assistant Examiner—Anhdao Doan

(57) **CLAIM**

The ornamental design for a printer, as shown and described.

DESCRIPTION

FIG. 1 is a perspective view illustrating the new design.

FIG. 2 is a front elevational view thereof.

FIG. 3 is a right side elevational view thereof.

FIG. 4 is a rear elevational view thereof.

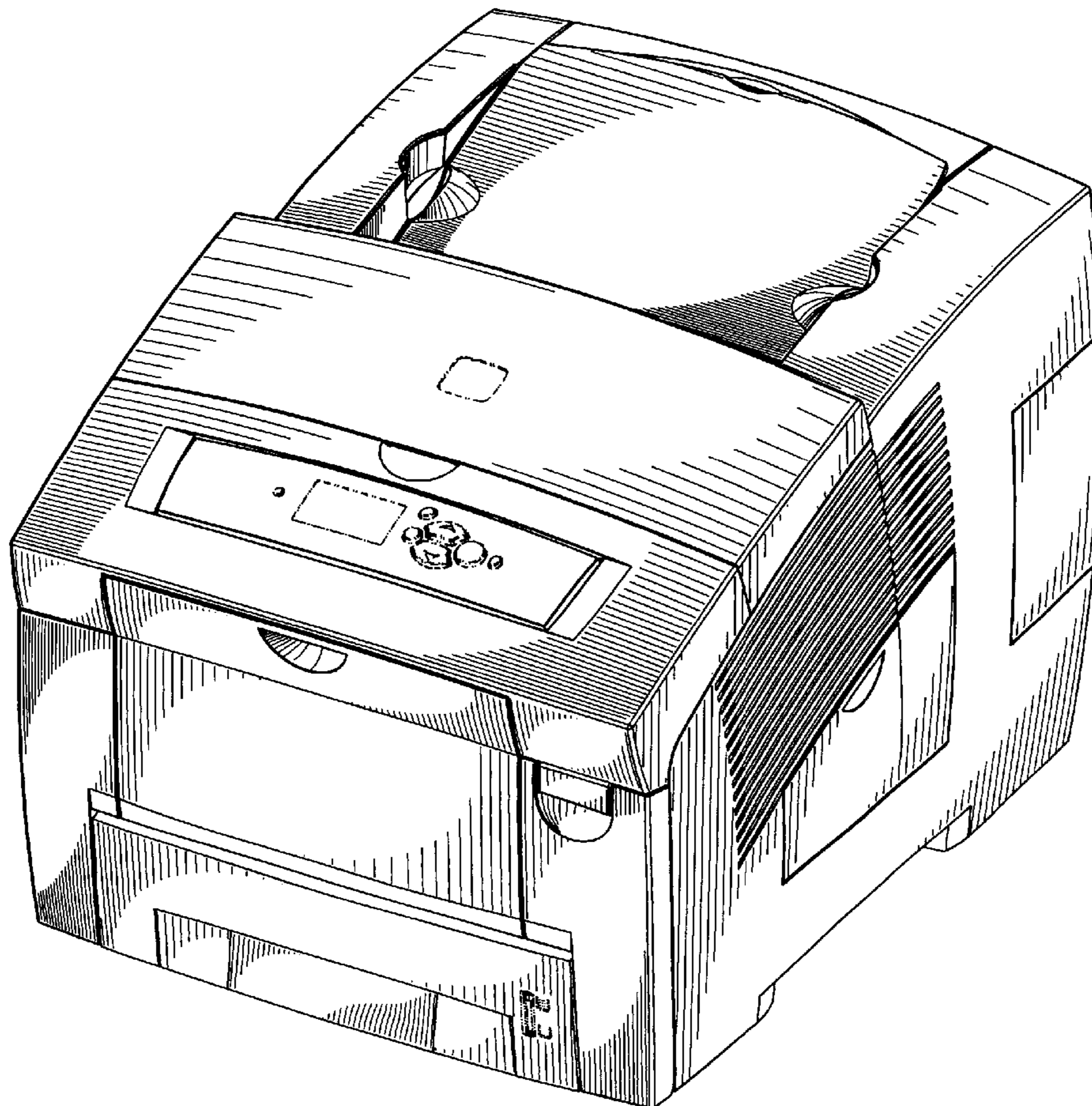
FIG. 5 is a left side elevational view thereof.

FIG. 6 is a top plan view thereof; and,

FIG. 7 is a bottom plan view thereof.

The broken lines are for illustrative purposes only and form no part of the claimed design.

1 Claim, 7 Drawing Sheets



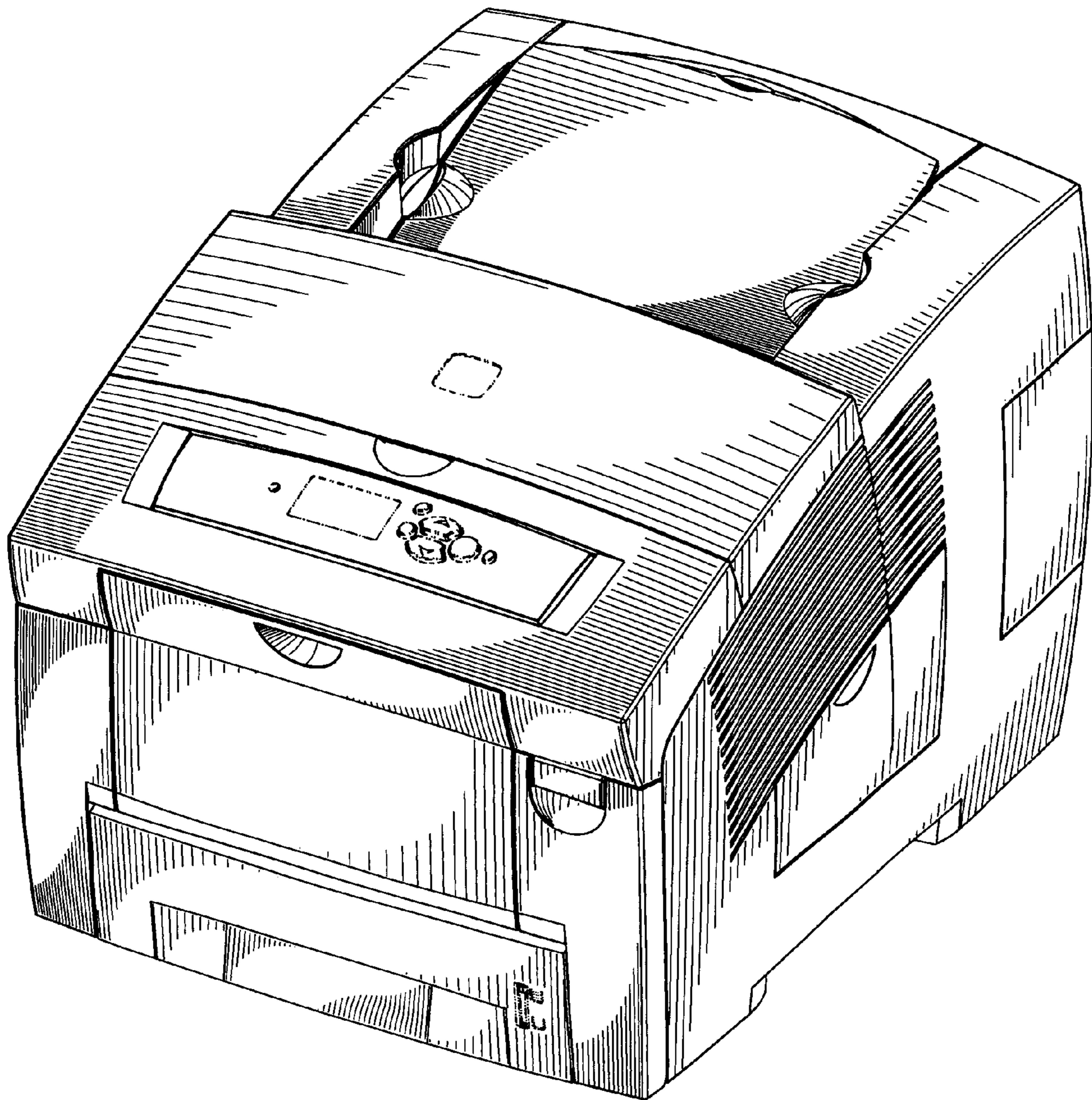


FIG. 1

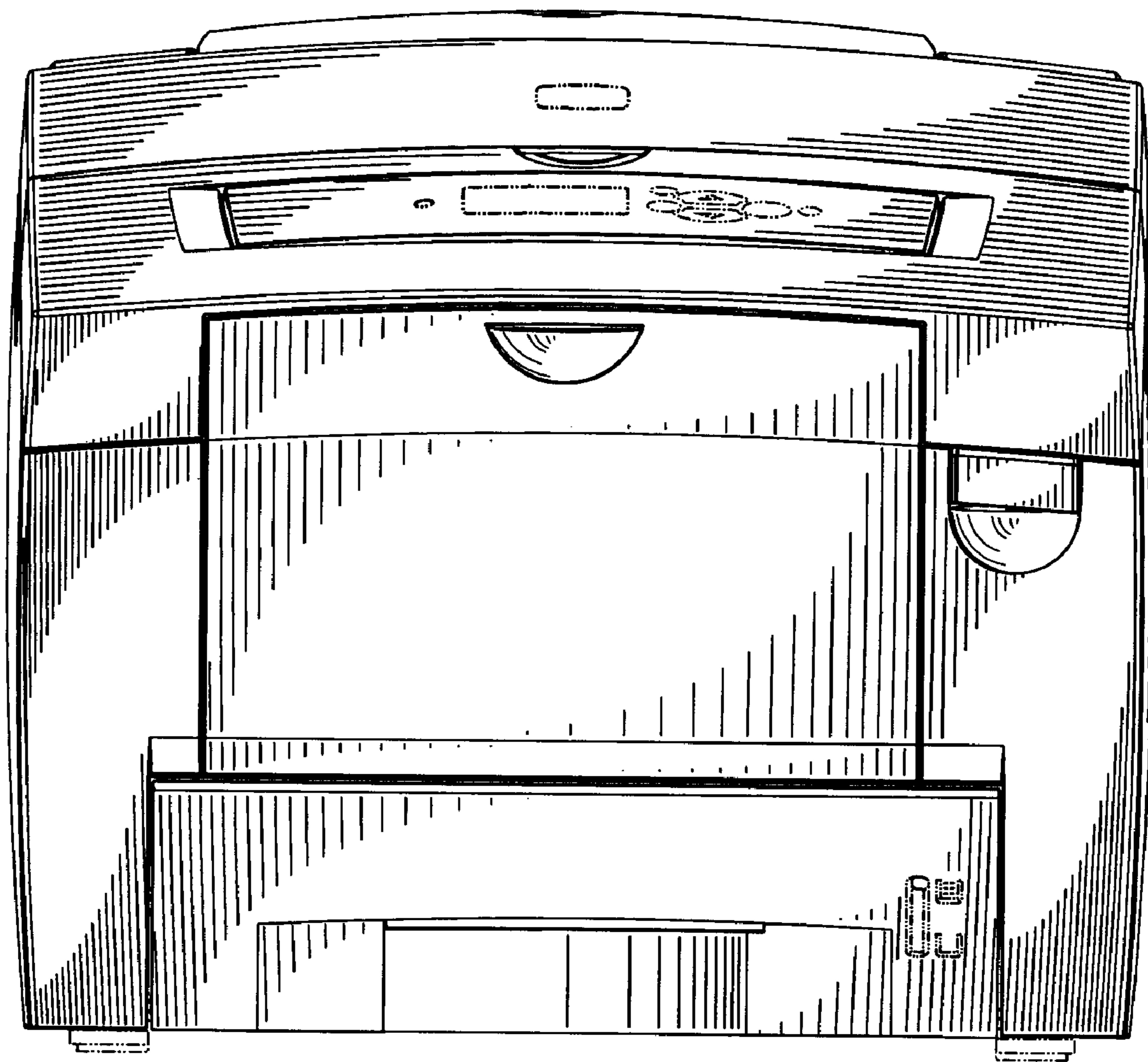


FIG. 2

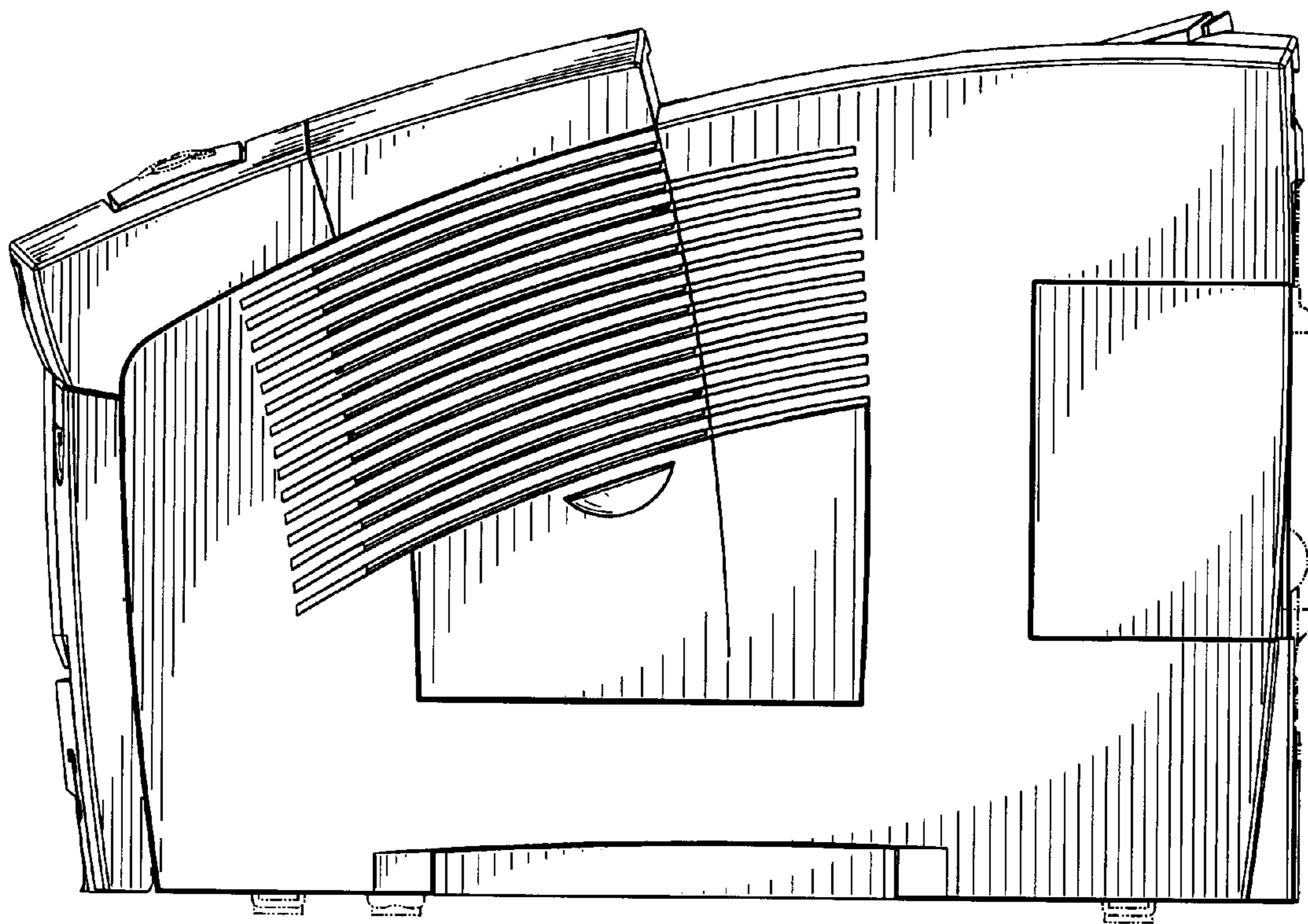


FIG. 3

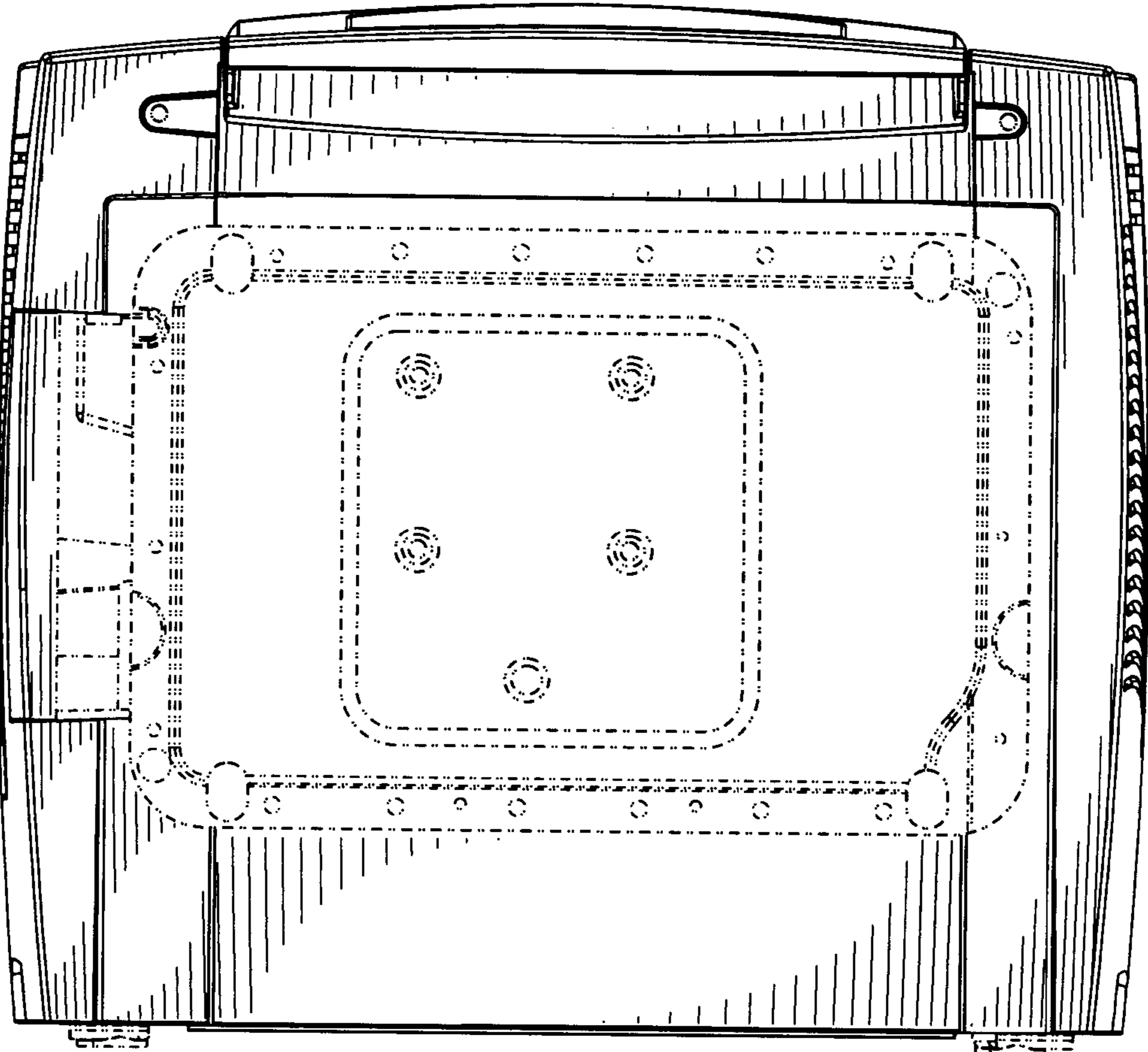


FIG. 4

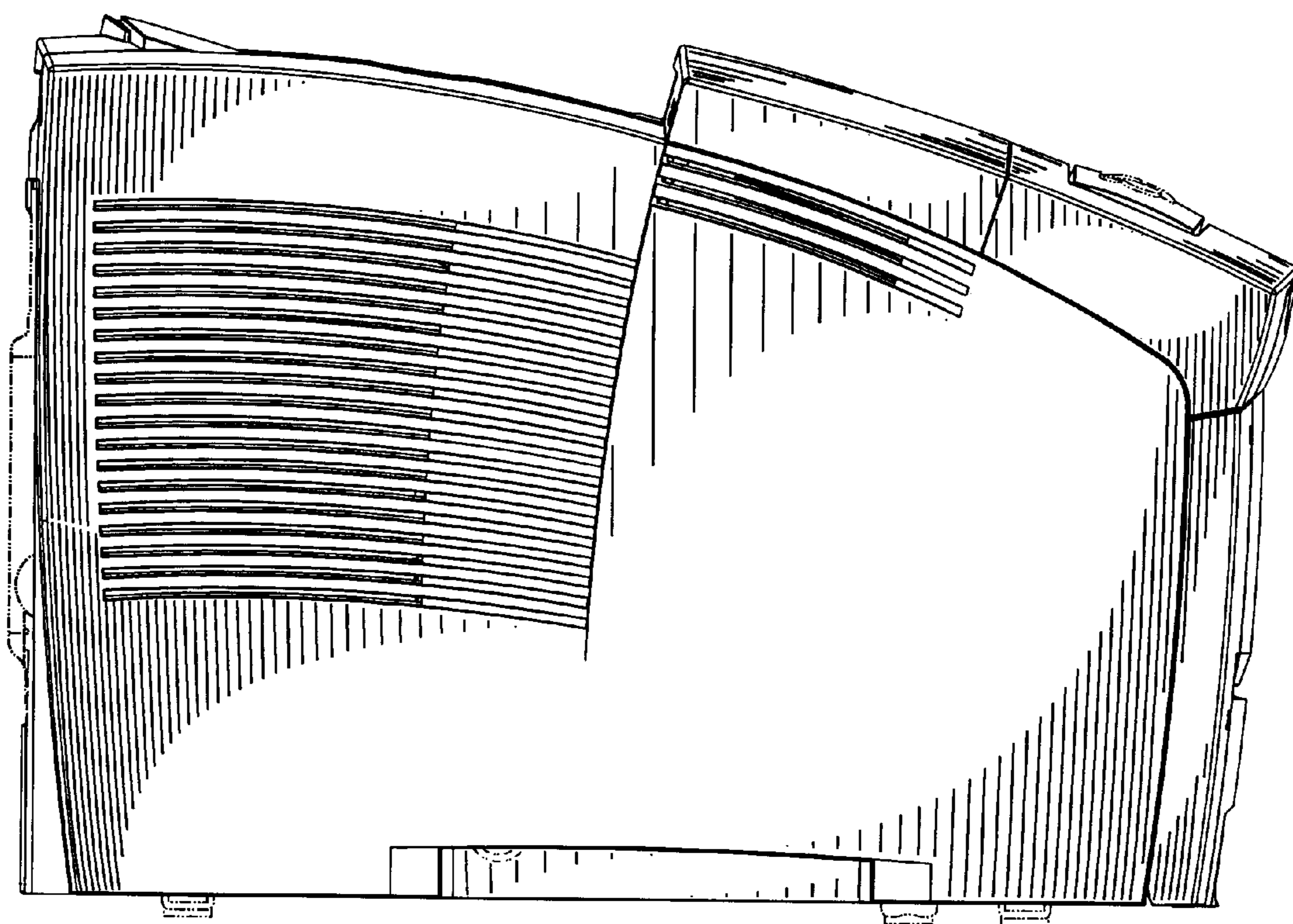


FIG. 5

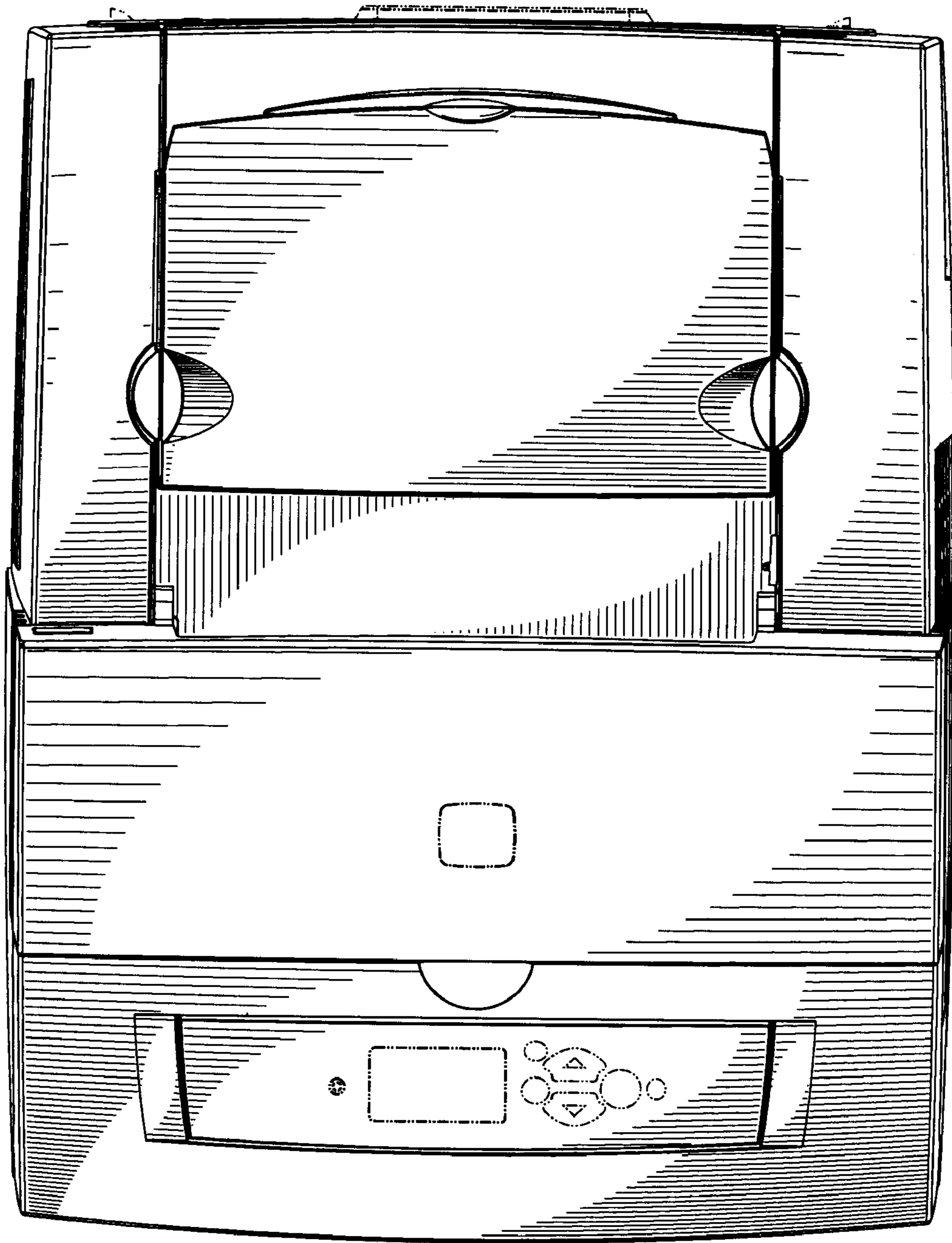


FIG. 6

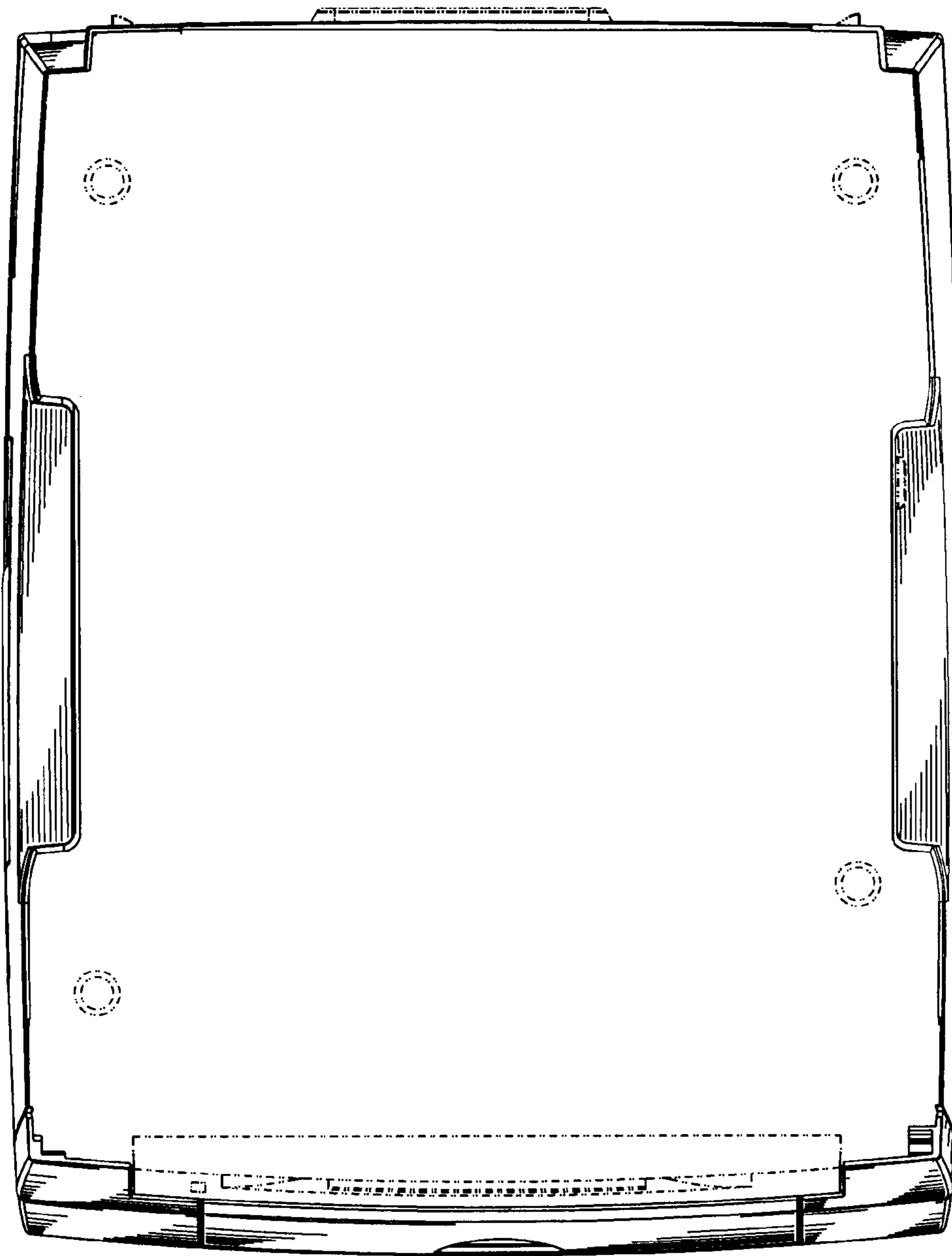


FIG. 7