



US00D530360S

(12) **United States Design Patent**  
**Isomura et al.**

(10) **Patent No.:** **US D530,360 S**

(45) **Date of Patent:** **\*\* Oct. 17, 2006**

(54) **DEVELOPER SUPPLYING CONTAINER**

(75) Inventors: **Tetsuo Isomura**, Abiko (JP); **Teruaki Tsurusaki**, Toride (JP); **Hironori Minagawa**, Moriya (JP); **Hideki Hayashi**, Kiyose (JP)

(73) Assignee: **Canon Kabushiki Kaisha**, Tokyo (JP)

(\*\*) Term: **14 Years**

(21) Appl. No.: **29/254,094**

(22) Filed: **Feb. 17, 2006**

(30) **Foreign Application Priority Data**

Oct. 6, 2005 (JP) ..... 2005-029273

(51) **LOC (8) Cl.** ..... **16-03**

(52) **U.S. Cl.** ..... **D18/43**

(58) **Field of Classification Search** ..... D18/12, D18/36, 40, 43, 44, 56; D14/462, 469-471, D14/474-484; 222/DIG. 1; 347/49, 86, 87, 347/197, 214, 222; 399/24-28, 107-112, 399/119, 222-224; 400/294, 196, 207, 208  
See application file for complete search history.

(56) **References Cited**

**U.S. PATENT DOCUMENTS**

D307,767 S \* 5/1990 Tsumuro ..... D18/43  
D310,240 S \* 8/1990 Smith ..... D18/43  
D329,659 S \* 9/1992 Mizukami et al. .... D18/43

D346,819 S \* 5/1994 Taniguchi et al. .... D18/43  
D356,107 S \* 3/1995 Watanabe et al. .... D18/43  
D358,163 S \* 5/1995 Nomura ..... D18/43  
D379,194 S \* 5/1997 Sundquist et al. .... D18/43  
D400,915 S \* 11/1998 Nomura et al. .... D18/40  
D410,247 S \* 5/1999 Nomura ..... D18/43  
D422,303 S \* 4/2000 Takeuchi et al. .... D18/43  
D422,623 S \* 4/2000 Fukuoka ..... D18/12  
D431,593 S \* 10/2000 Gumbe ..... D18/40  
D471,582 S \* 3/2003 Mori ..... D18/40

\* cited by examiner

*Primary Examiner*—Caron Veynar

*Assistant Examiner*—Garth Rademaker

(74) *Attorney, Agent, or Firm*—Fitzpatrick, Cella, Harper & Scinto

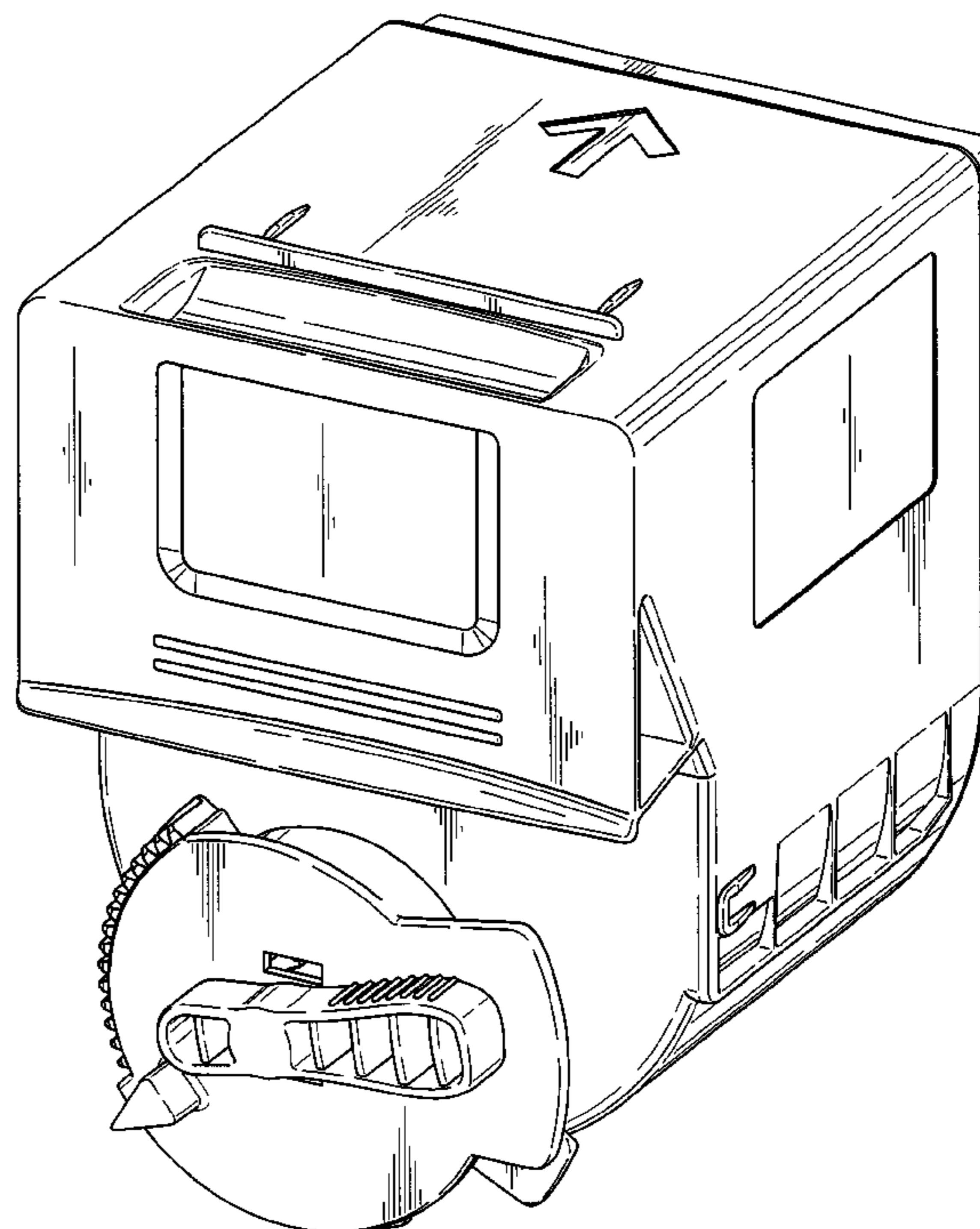
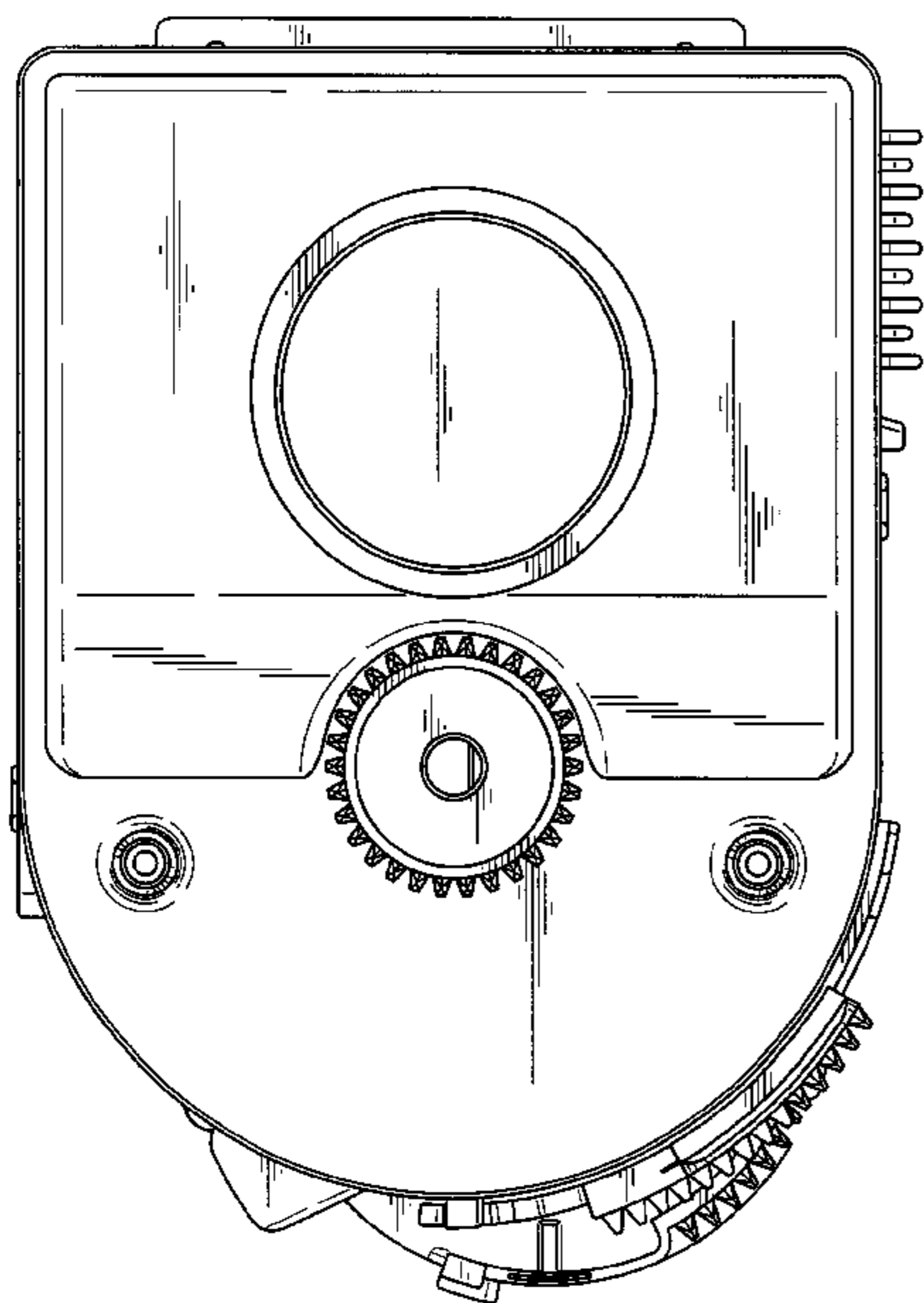
(57) **CLAIM**

The ornamental design for a developer supplying container, as shown.

**DESCRIPTION**

FIG. 1 is a front view of a developer supplying container showing our new design;  
FIG. 2 is a rear view thereof;  
FIG. 3 is a top plan view thereof;  
FIG. 4 is a bottom plan view thereof;  
FIG. 5 is a left side view thereof;  
FIG. 6 is a right side view thereof; and,  
FIG. 7 is a perspective view thereof.

**1 Claim, 7 Drawing Sheets**



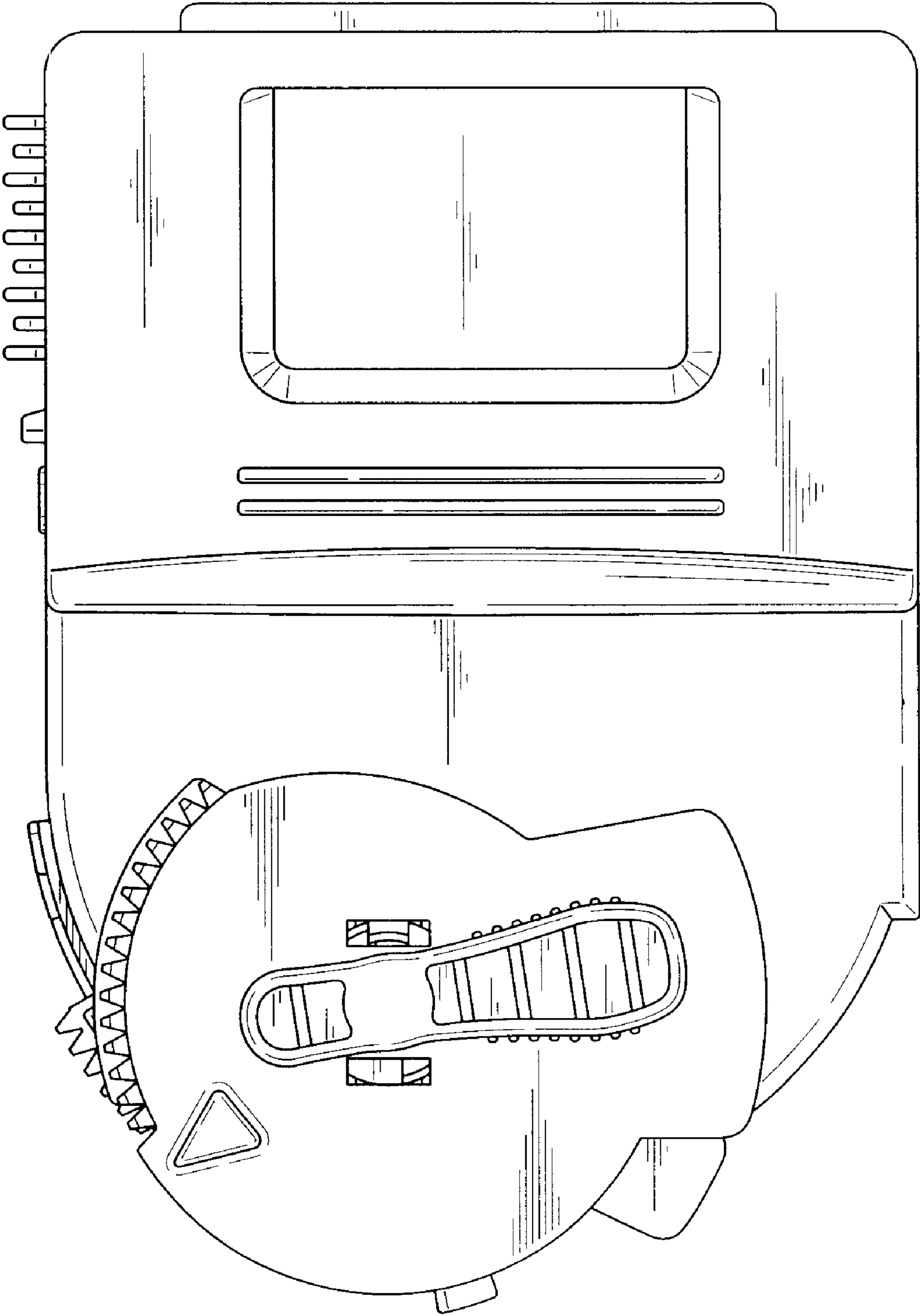


FIG. 1

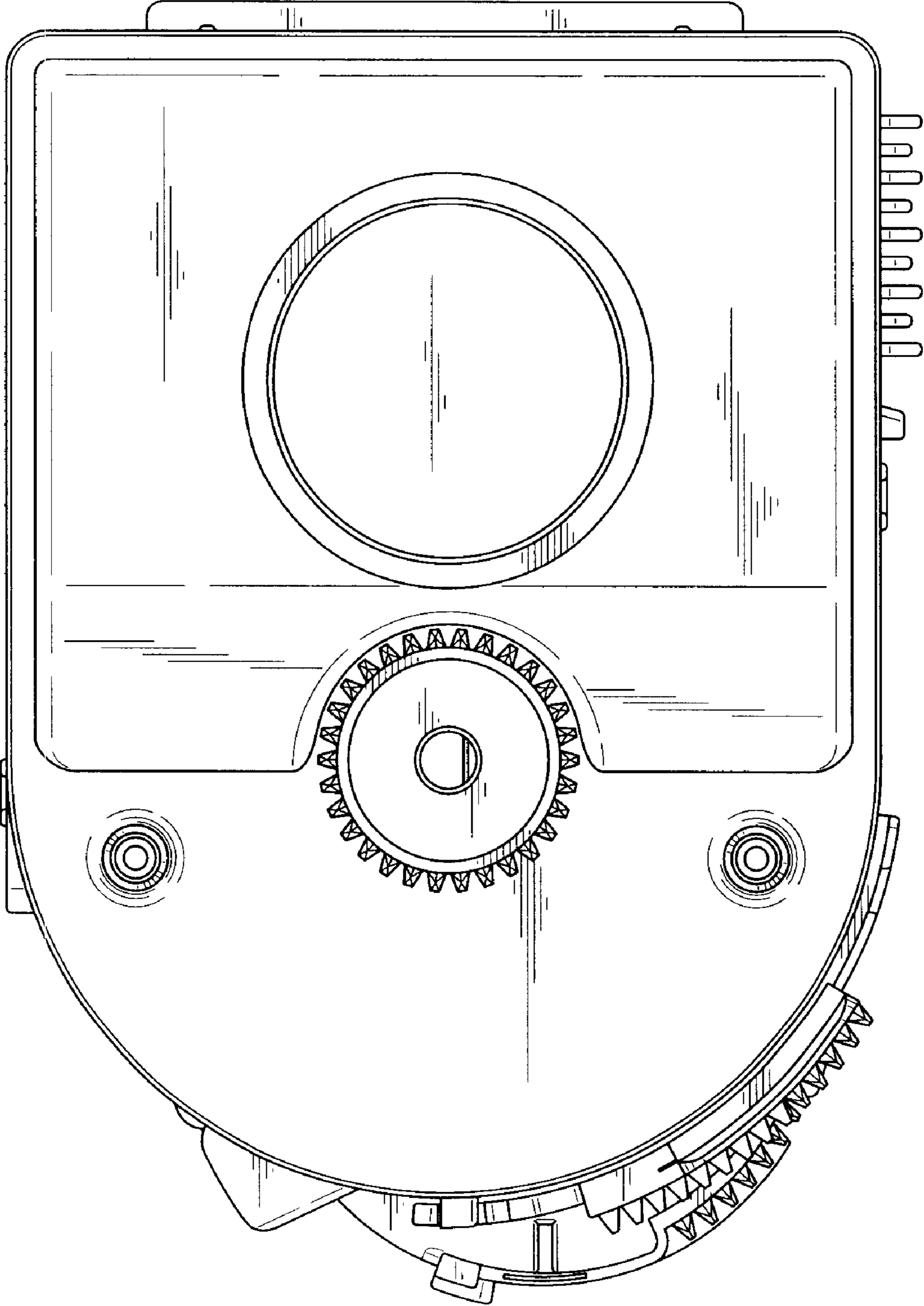
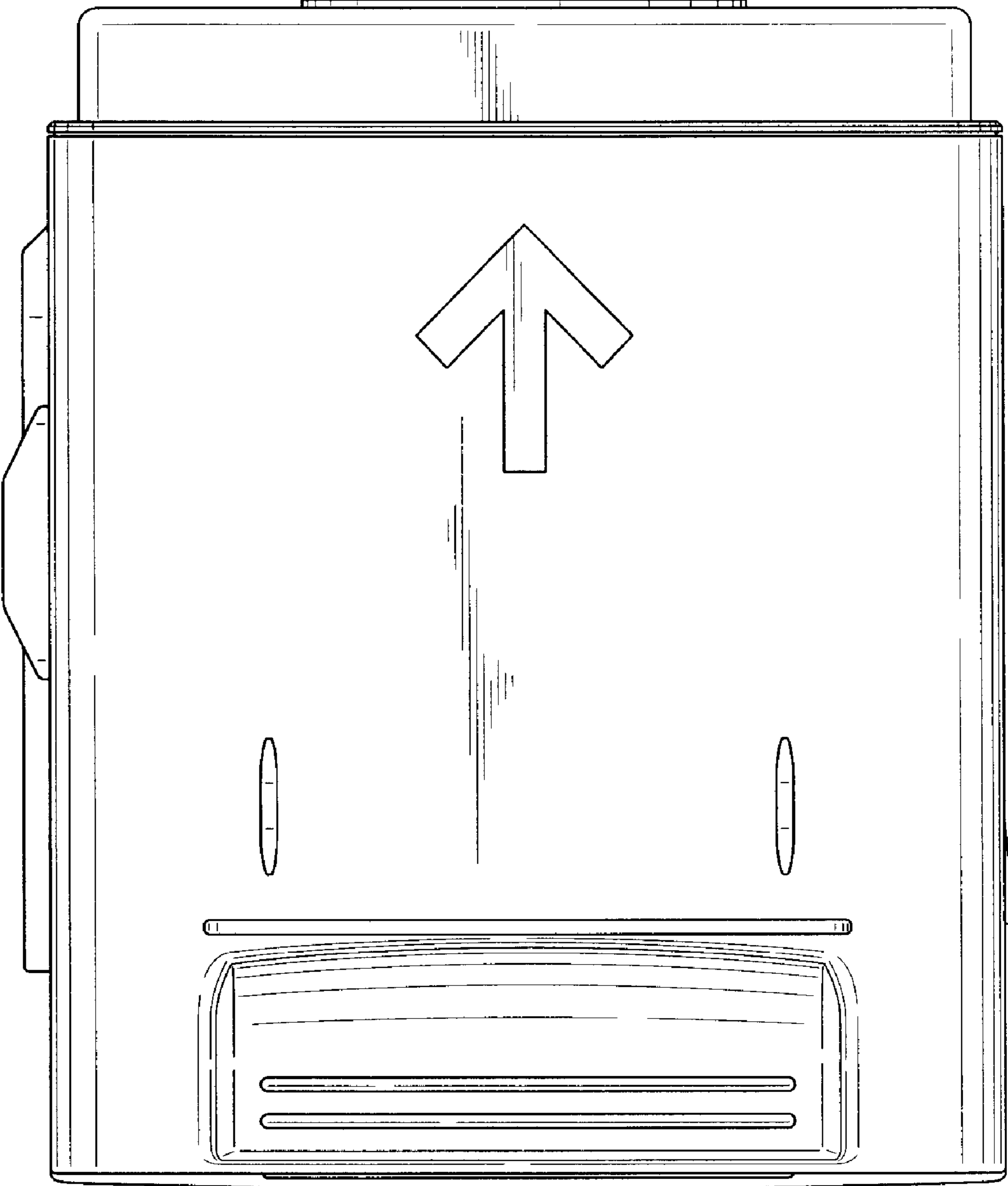
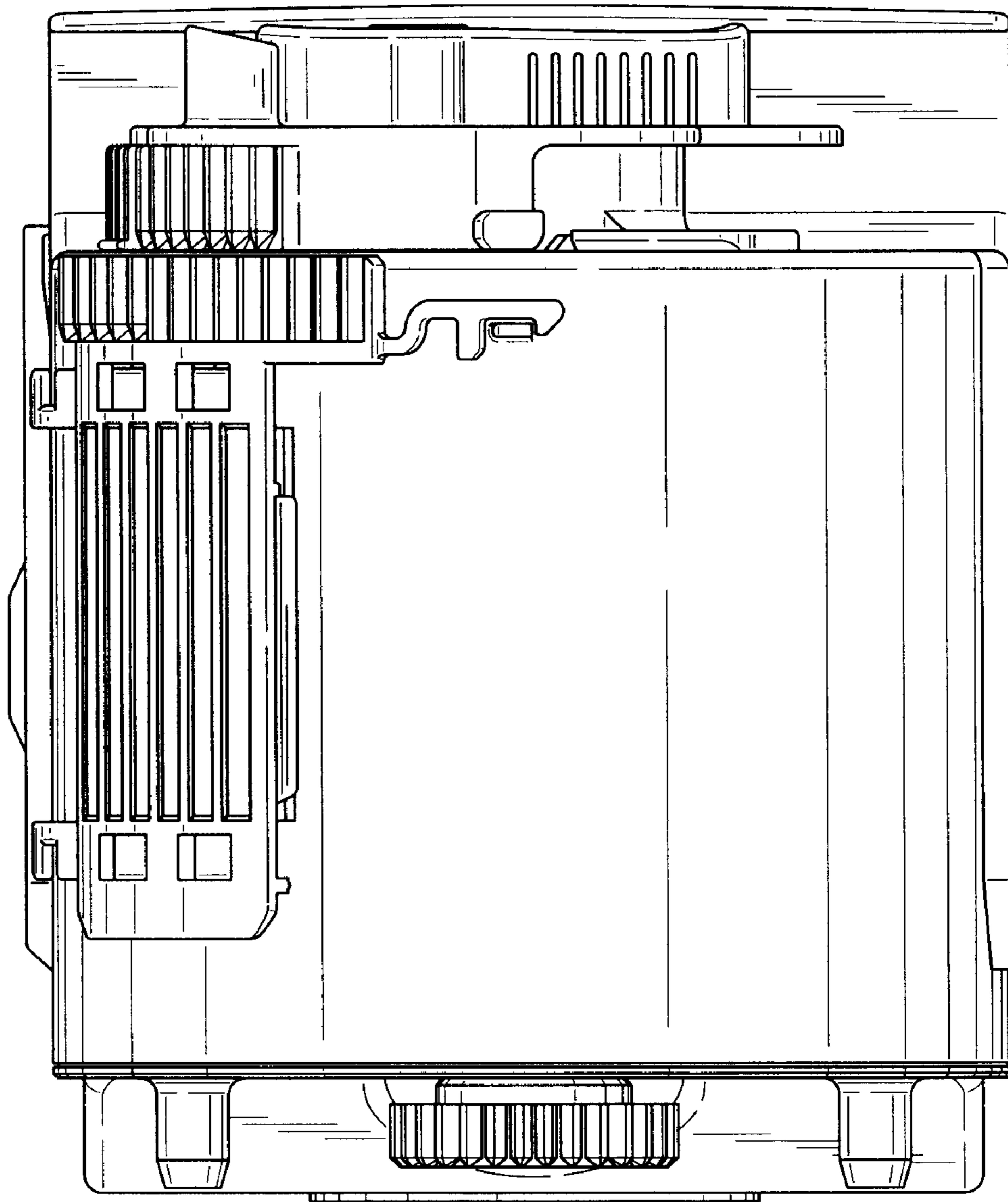


FIG. 2



*FIG. 3*



*FIG. 4*

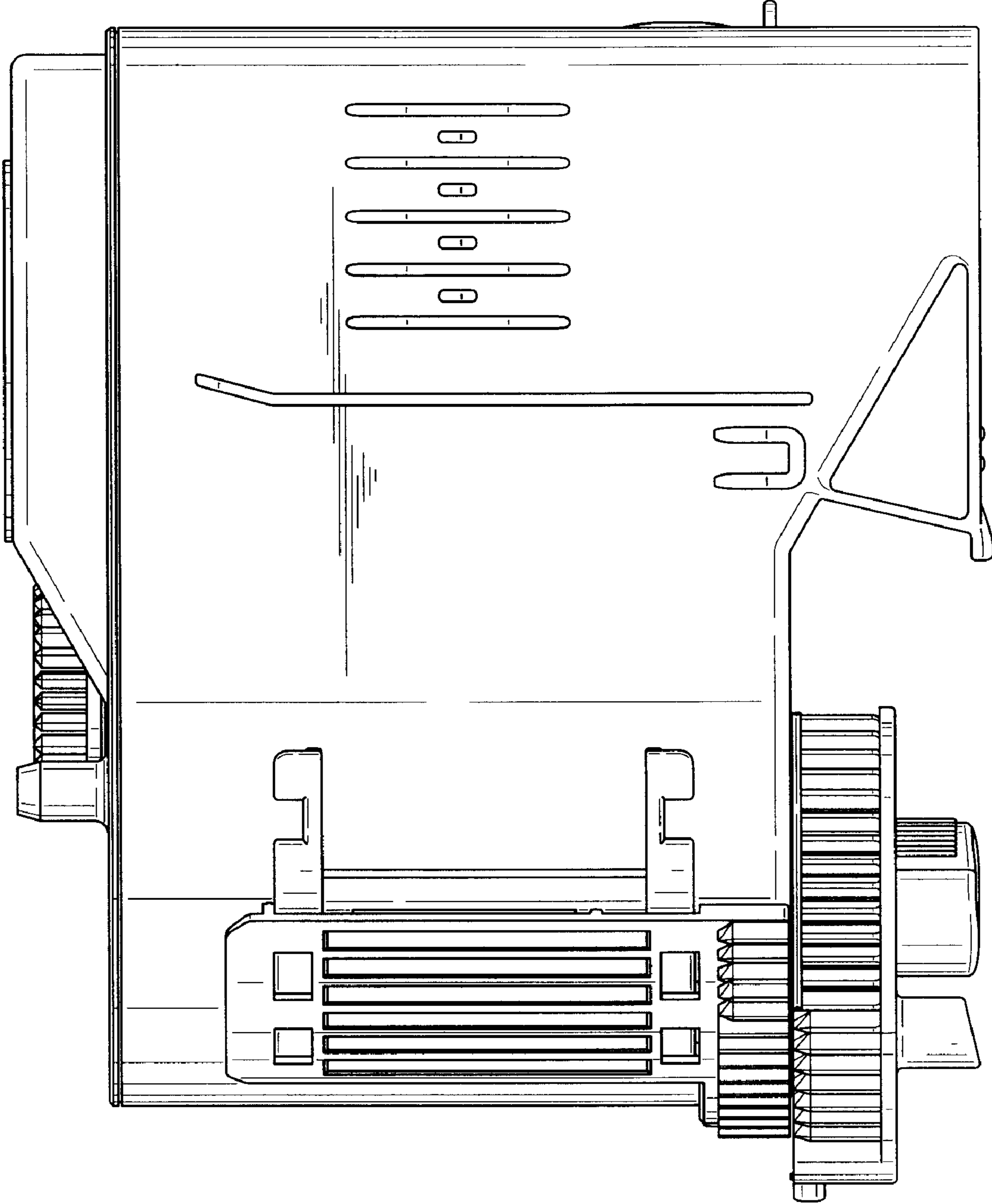


FIG. 5

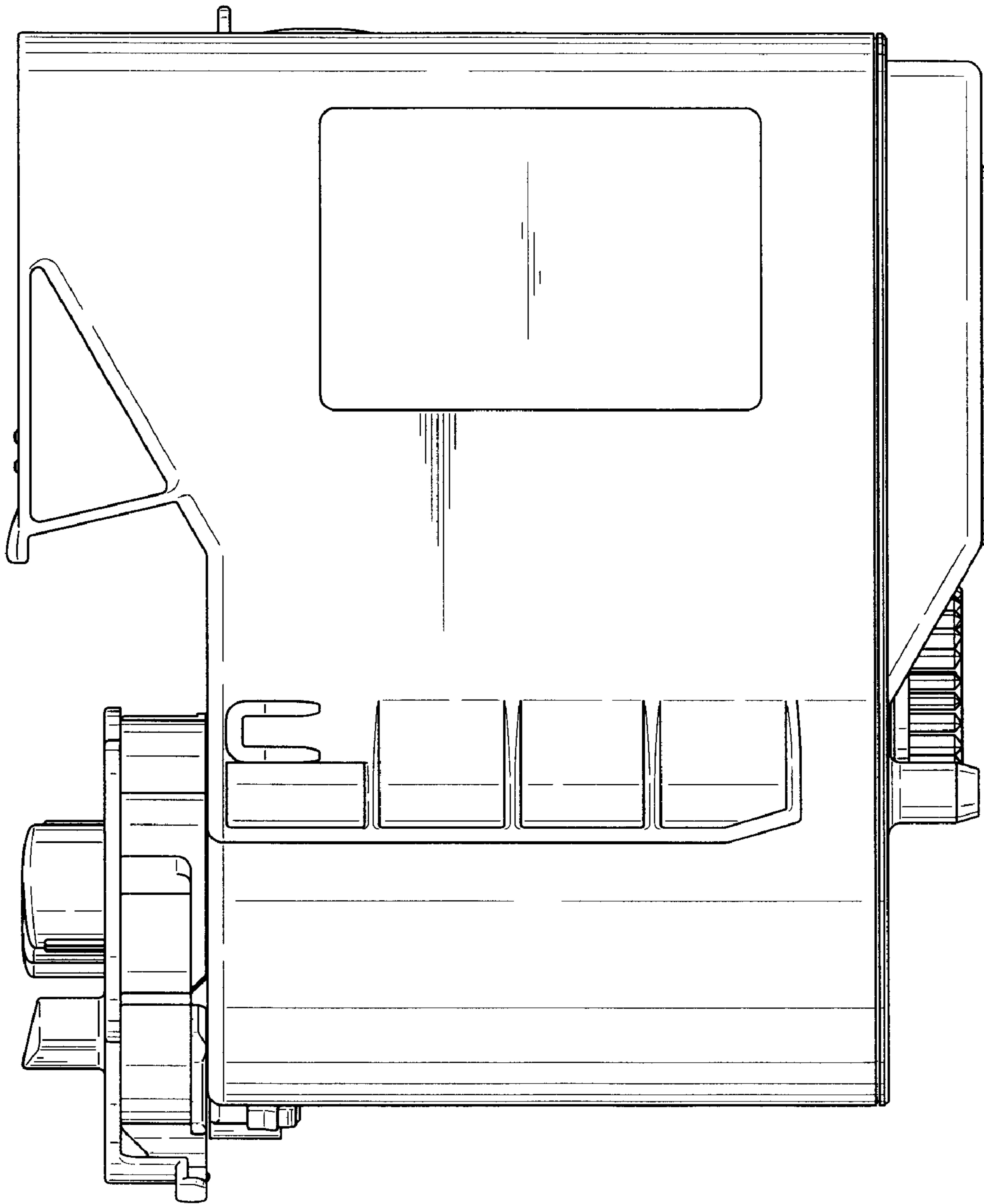


FIG. 6

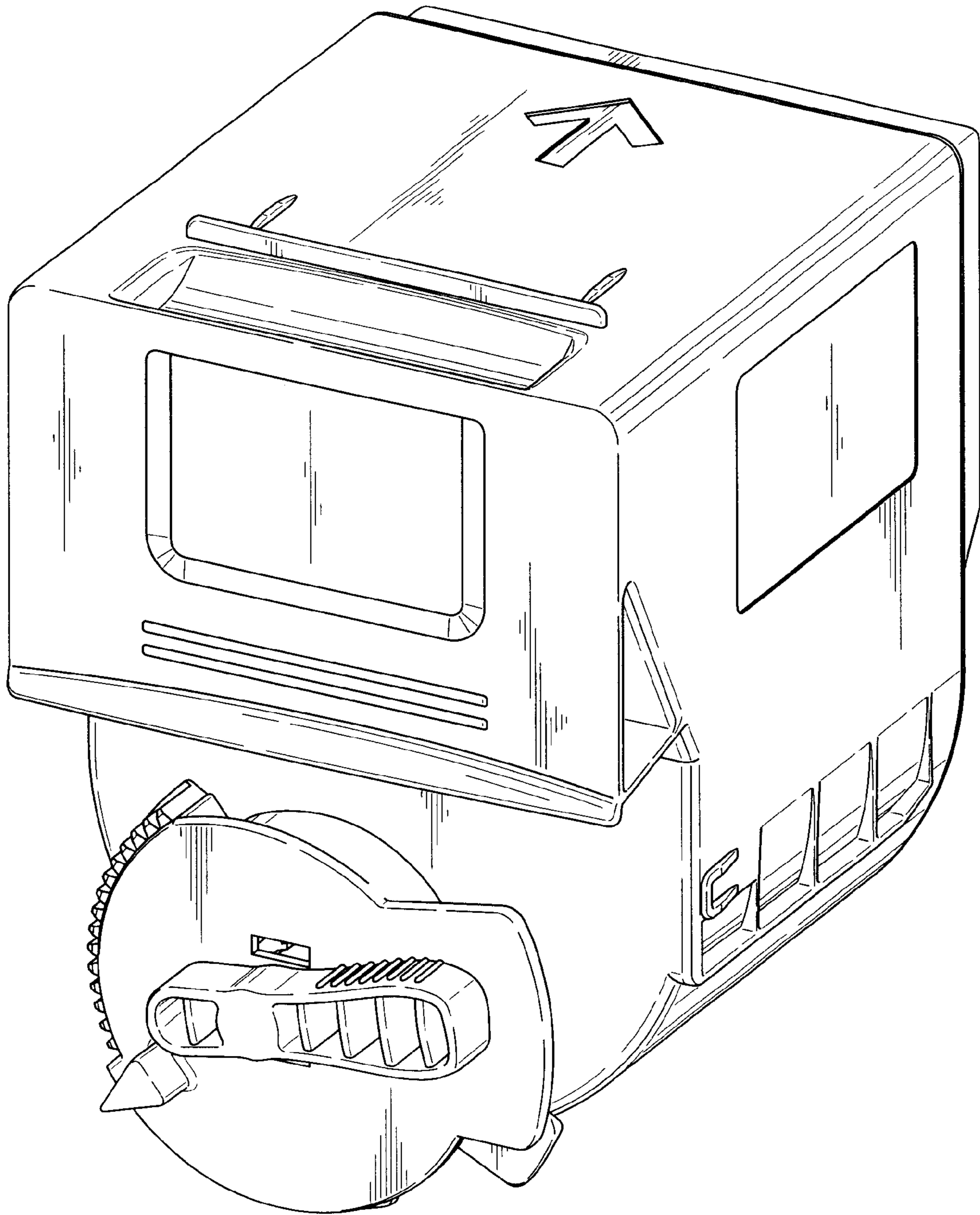


FIG. 7