



US00D530359S

(12) **United States Design Patent**
Isomura et al.

(10) **Patent No.:** **US D530,359 S**

(45) **Date of Patent:** **** Oct. 17, 2006**

(54) **DEVELOPER SUPPLYING CONTAINER**

(75) Inventors: **Tetsuo Isomura**, Abiko (JP); **Teruaki Tsurusaki**, Toride (JP); **Hironori Minagawa**, Moriya (JP); **Hideki Hayashi**, Kiyose (JP)

(73) Assignee: **Canon Kabushiki Kaisha**, Tokyo (JP)

(**) Term: **14 Years**

(21) Appl. No.: **29/254,093**

(22) Filed: **Feb. 17, 2006**

(30) **Foreign Application Priority Data**

Oct. 6, 2005 (JP) 2005-029274

(51) **LOC (8) Cl.** **16-03**

(52) **U.S. Cl.** **D18/43**

(58) **Field of Classification Search** D18/12, D18/36, 40, 43, 44, 56; D14/462, 469-471, D14/474-484; 222/DIG. 1; 347/49, 86, 87, 347/197, 214, 222; 399/24-28, 107-112, 399/119, 222-224; 400/294, 196, 207, 208
See application file for complete search history.

(56) **References Cited**

U.S. PATENT DOCUMENTS

D307,767 S * 5/1990 Tsumuro D18/43
D310,240 S * 8/1990 Smith D18/43
D329,659 S * 9/1992 Mizukami et al. D18/43

D346,819 S * 5/1994 Taniguchi et al. D18/43
D356,107 S * 3/1995 Watanabe et al. D18/43
D358,163 S * 5/1995 Nomura D18/43
D379,194 S * 5/1997 Sundquist et al. D18/43
D400,915 S * 11/1998 Nomura et al. D18/40
D410,247 S * 5/1999 Nomura D18/43
D422,303 S * 4/2000 Takeuchi et al. D18/43
D422,623 S * 4/2000 Fukuoka D18/12
D431,593 S * 10/2000 Gumbe D18/40
D471,582 S * 3/2003 Mori D18/40

* cited by examiner

Primary Examiner—Caron Veynar

Assistant Examiner—Garth Rademaker

(74) *Attorney, Agent, or Firm*—Fitzpatrick, Cella, Harper & Scinto

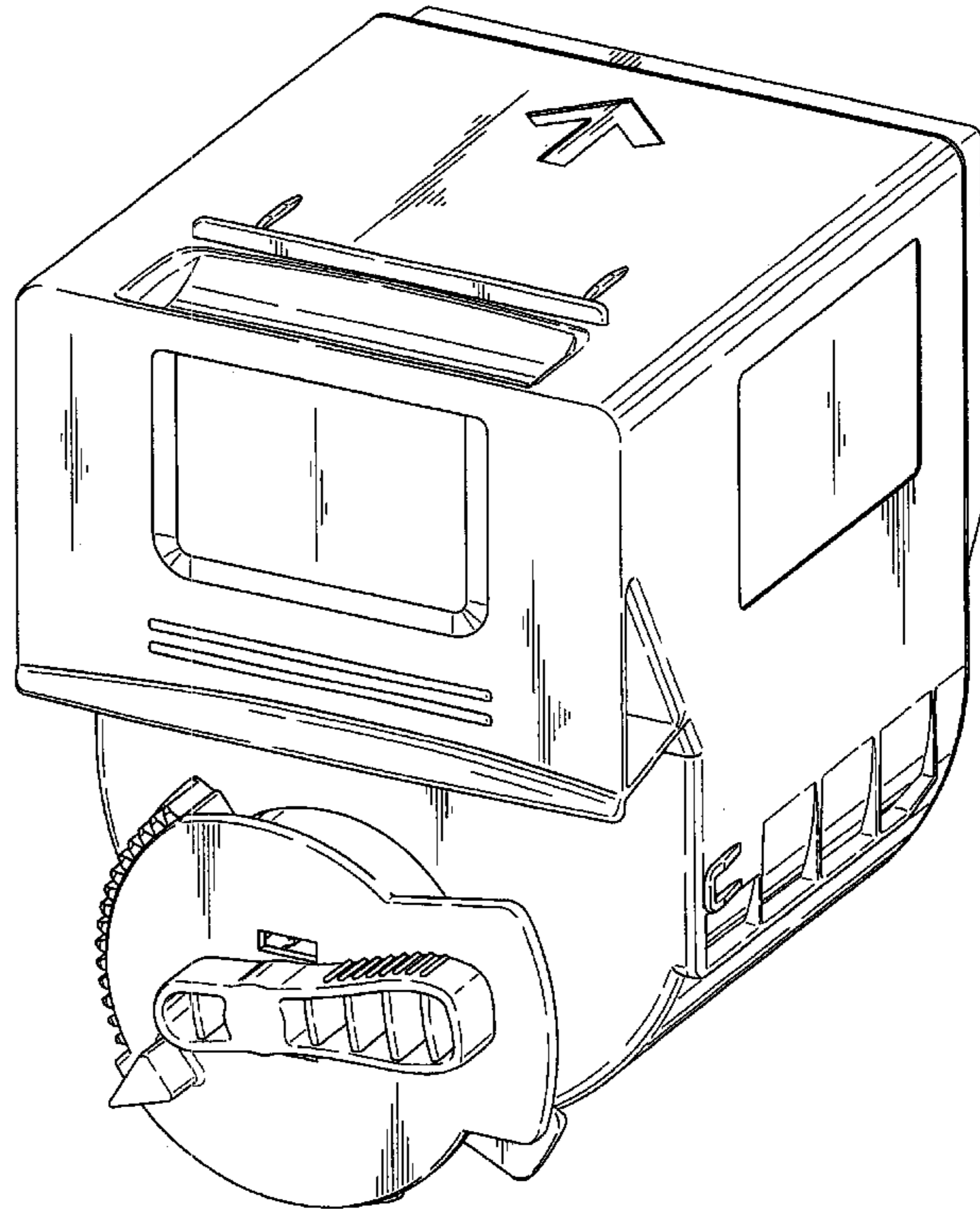
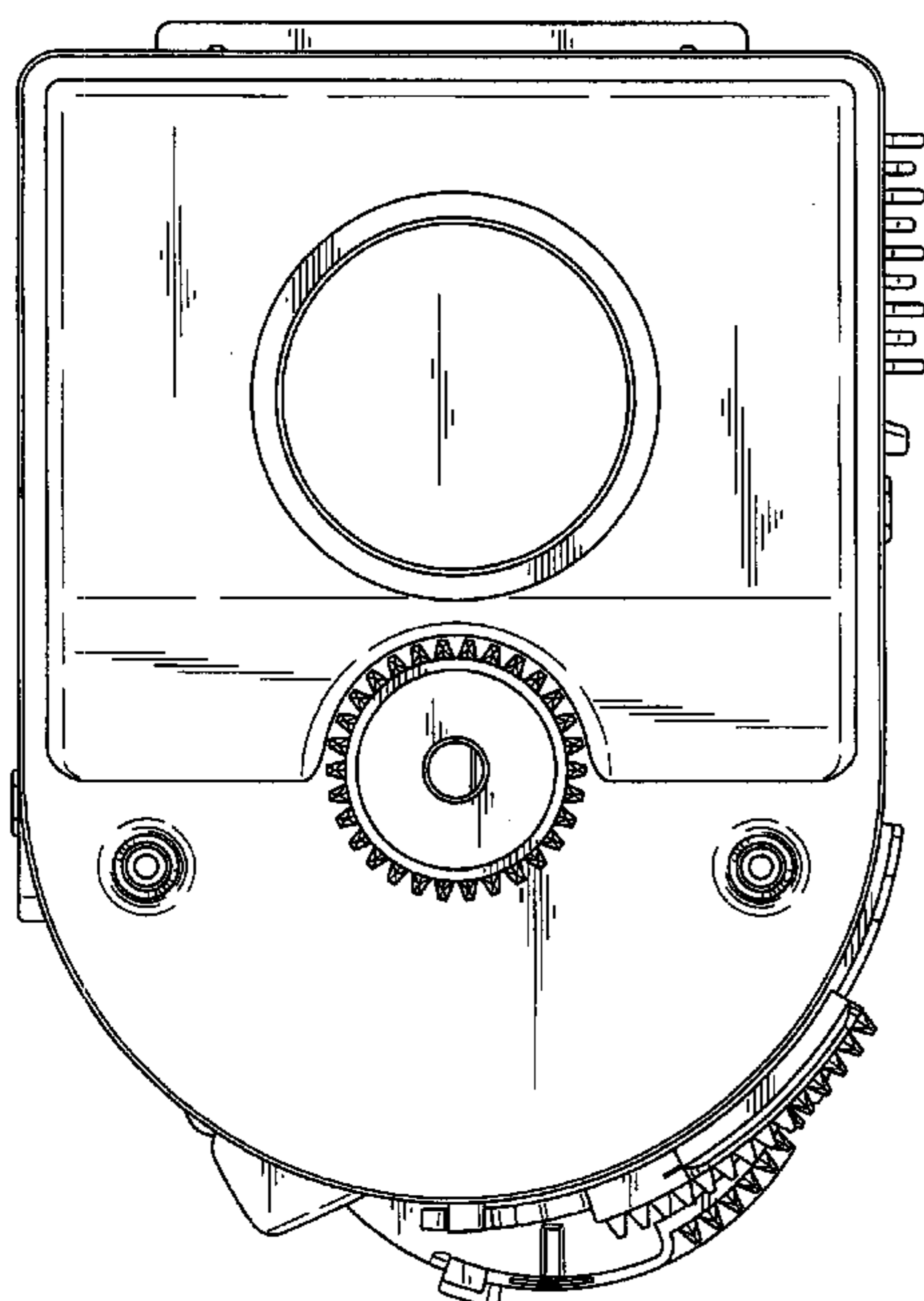
(57) **CLAIM**

The ornamental design for a developer supplying container, as shown.

DESCRIPTION

FIG. 1 is a front view of a developer supplying container showing our new design;
FIG. 2 is a rear view thereof;
FIG. 3 is a top plan view thereof;
FIG. 4 is a bottom plan view thereof;
FIG. 5 is a left side view thereof;
FIG. 6 is a right side view thereof; and,
FIG. 7 is a perspective view thereof.

1 Claim, 7 Drawing Sheets



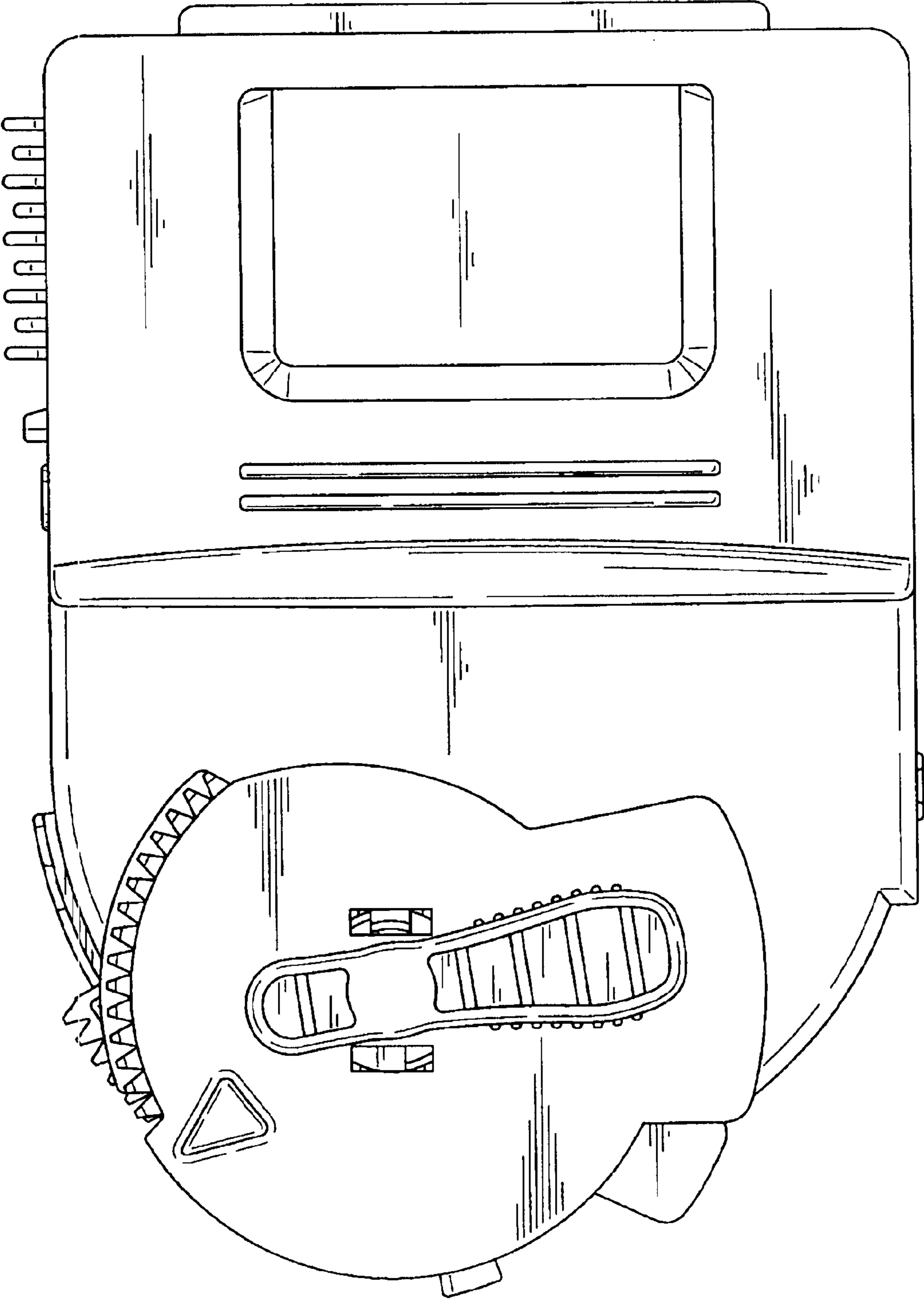


FIG. 1

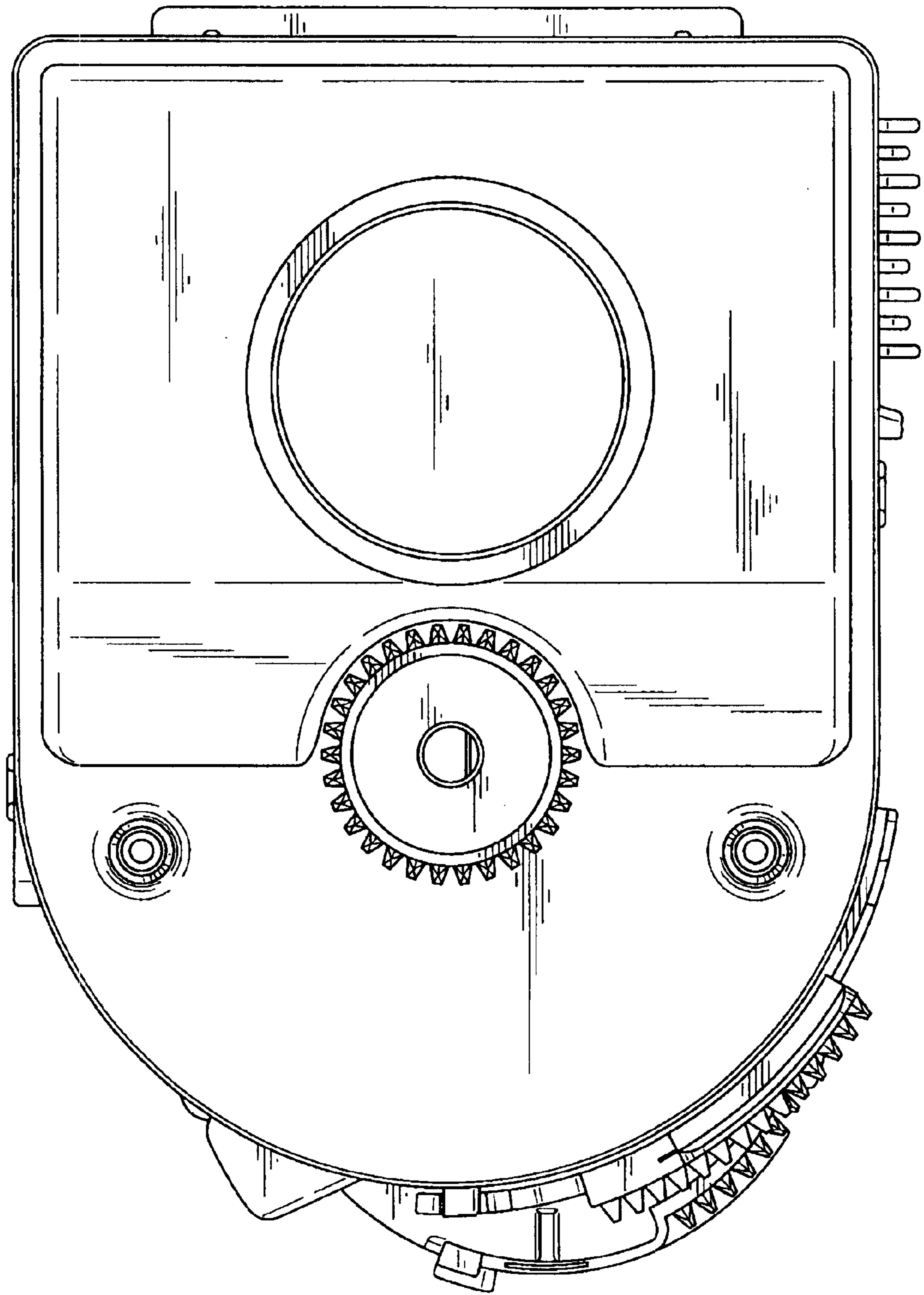


FIG. 2

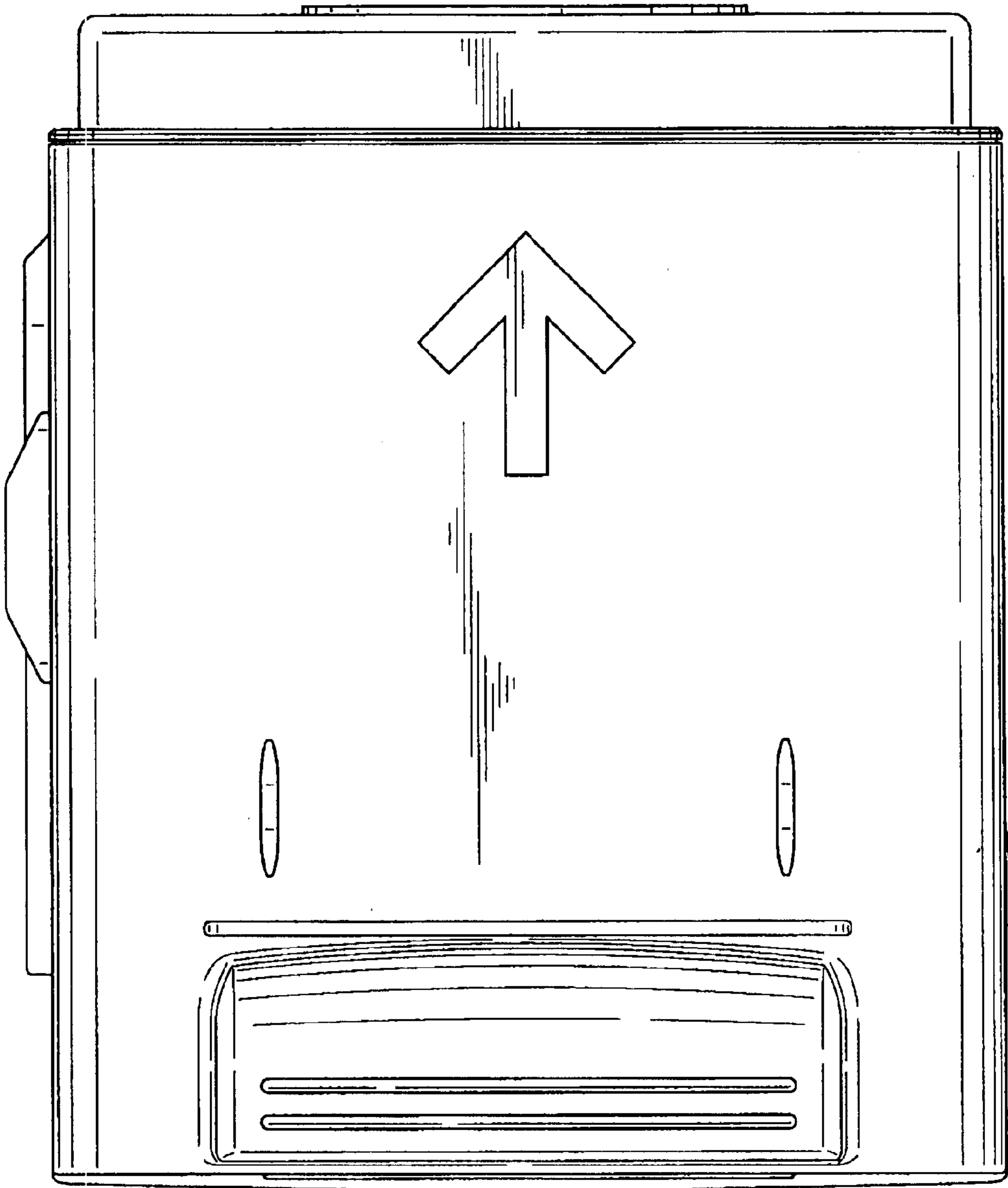


FIG. 3

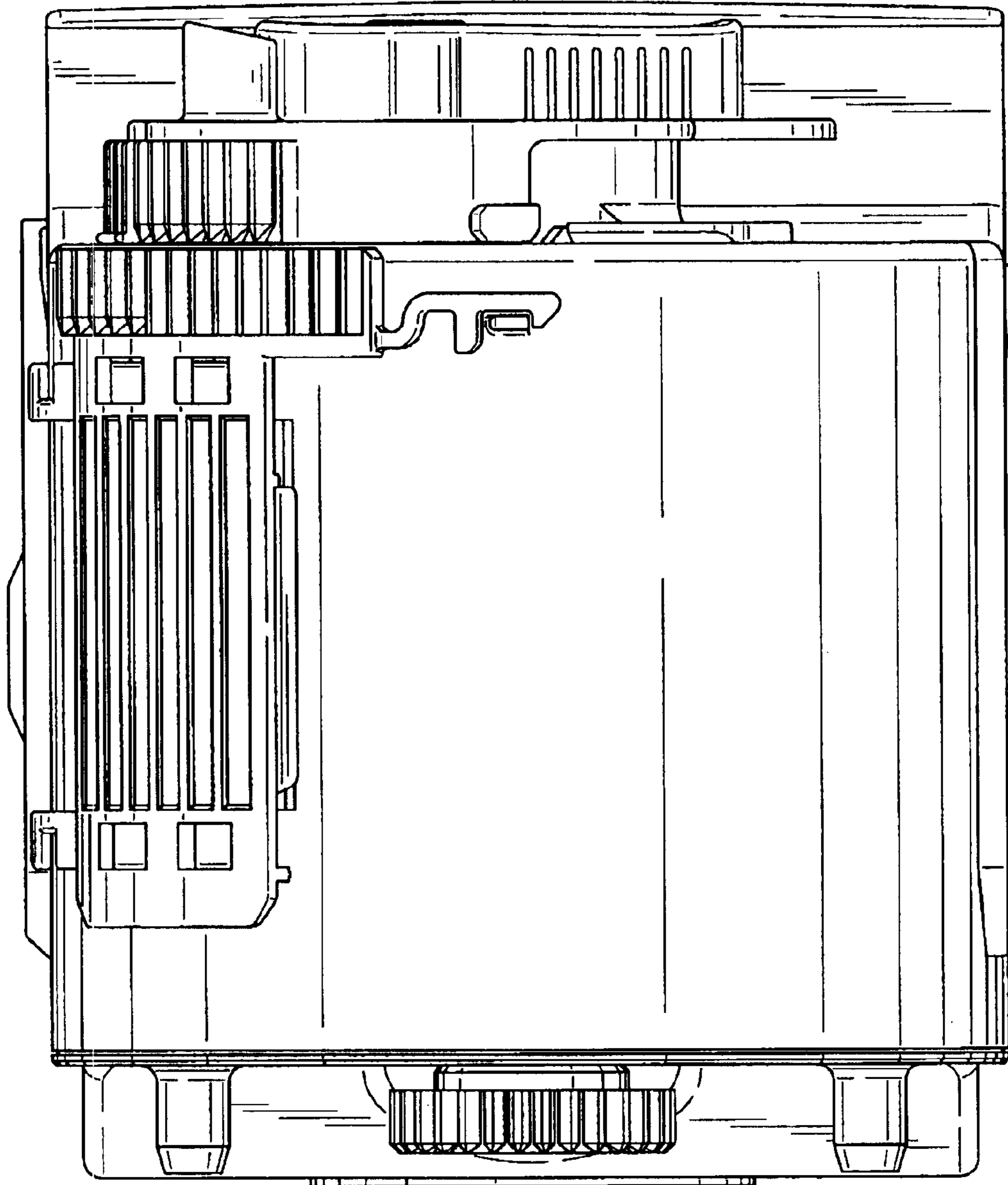


FIG. 4

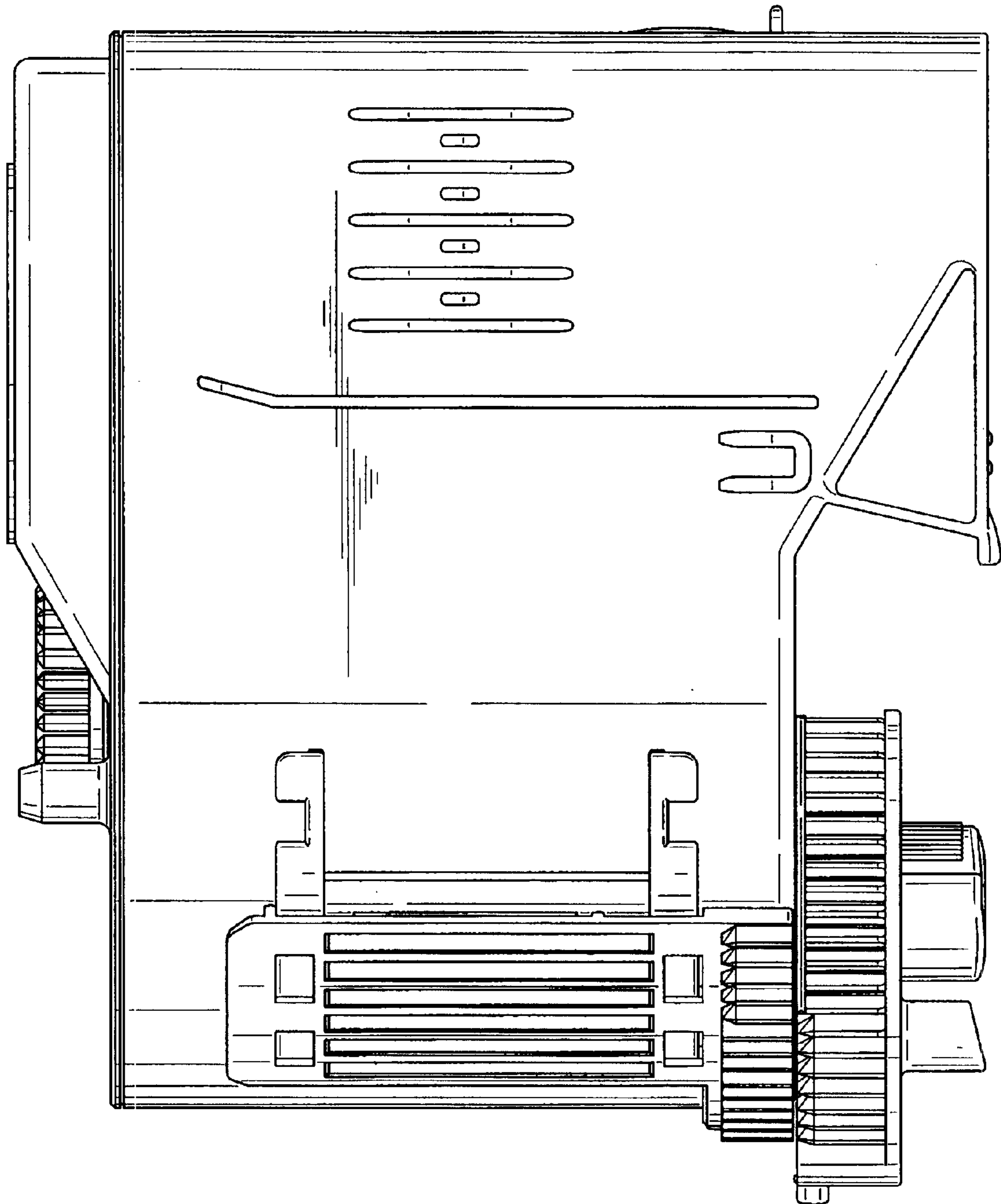


FIG. 5

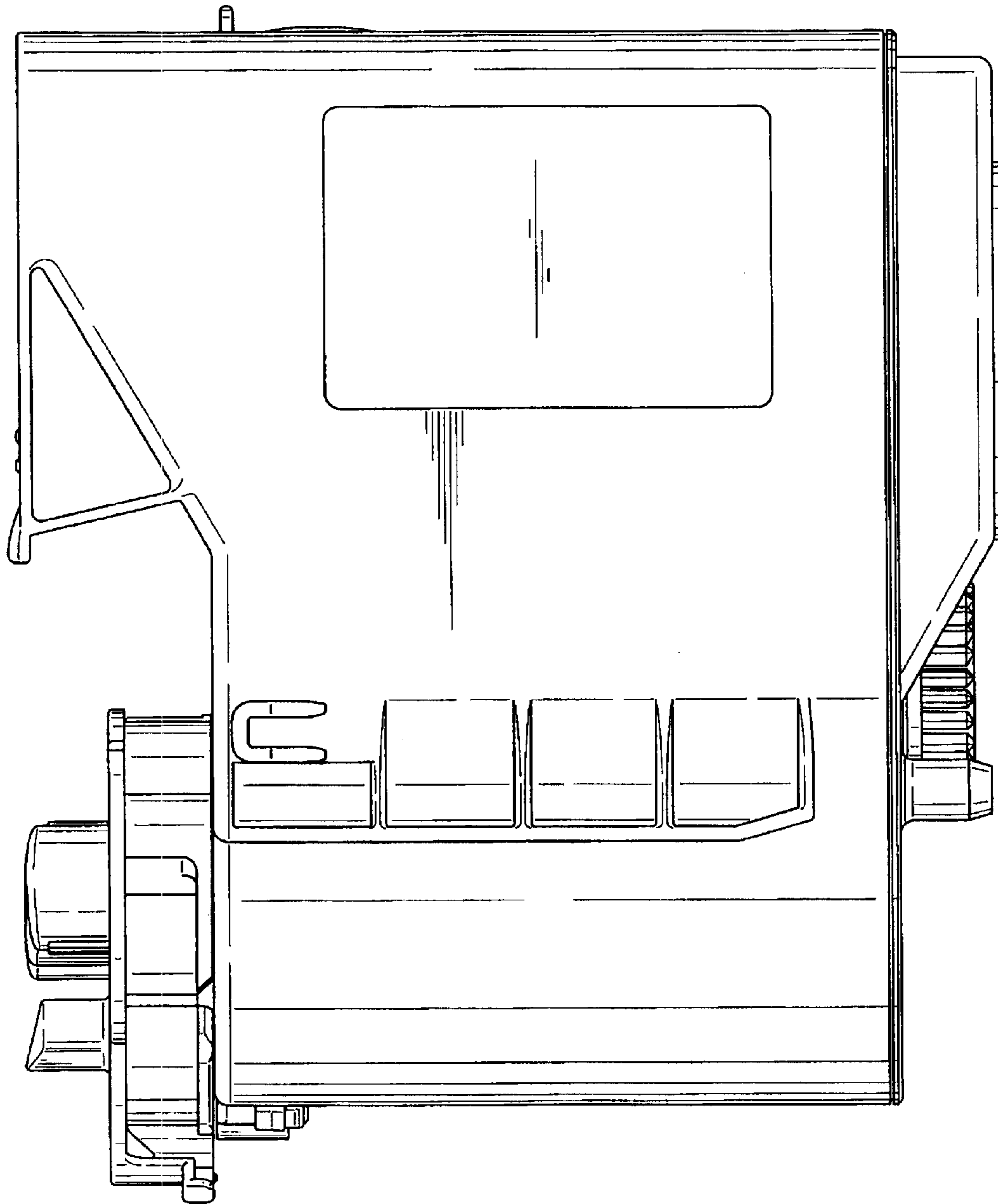


FIG. 6

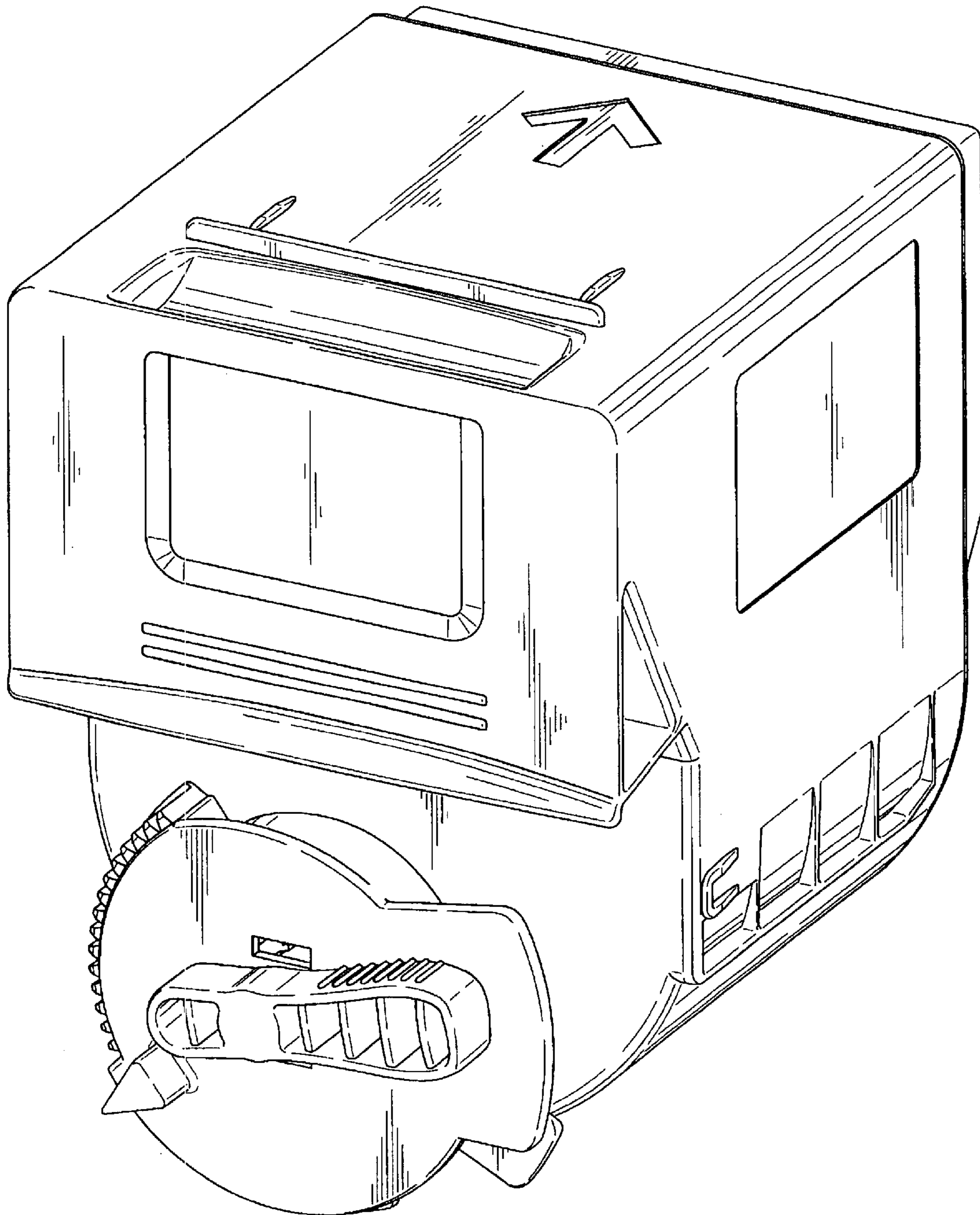


FIG. 7

UNITED STATES PATENT AND TRADEMARK OFFICE
CERTIFICATE OF CORRECTION

PATENT NO. : Des. 530,359 S
APPLICATION NO. : 29/254093
DATED : October 17, 2006
INVENTOR(S) : Tetsuo Isomura et al.

Page 1 of 9

It is certified that error appears in the above-identified patent and that said Letters Patent is hereby corrected as shown below:

The title page should be deleted and substitute therefor the attached title page.

Drawings:

Delete drawing sheets 1-7, and substitute therefor the drawing sheets, consisting of Figs. 1-7 as shown on the attached pages.

Signed and Sealed this

Twenty-sixth Day of May, 2009



JOHN DOLL

Acting Director of the United States Patent and Trademark Office

(12) **United States Design Patent** (10) Patent No.: **US D530,359 S**
Isomura et al. (45) Date of Patent: **** Oct. 17, 2006**

(54) **DEVELOPER SUPPLYING CONTAINER**
 (75) Inventors: **Tetsuo Isomura, Abiko (JP); Teruaki Tsurusuki, Toride (JP); Hironori Minagawa, Moriya (JP); Hideki Hayashi, Kiyose (JP)**
 (73) Assignee: **Canon Kabushiki Kaisha, Tokyo (JP)**
 (**) Term: **14 Years**

(21) Appl. No.: **29/254,093**
 (22) Filed: **Feb. 17, 2006**
 (30) **Foreign Application Priority Data**
 Oct. 6, 2005 (JP) 2005-029274

(51) **LOC (8) CL.** **16-03**
 (52) **U.S. Cl.** **D18/43**
 (58) **Field of Classification Search** **D18/12, D18/36, 40, 43, 44, 56; D14/462, 469-471, D14/474-484; 222/DIG. 1; 347/49, 86, 87, 347/197, 214, 222; 399/24-28, 107-112, 399/119, 222-224; 400/294, 196, 207, 208**
 See application file for complete search history.

(56) **References Cited**
U.S. PATENT DOCUMENTS
 D307,767 S * 5/1990 Tsumuro D18/43
 D310,240 S * 8/1990 Smith D18/43
 D329,659 S * 9/1992 Mizukami et al. D18/43

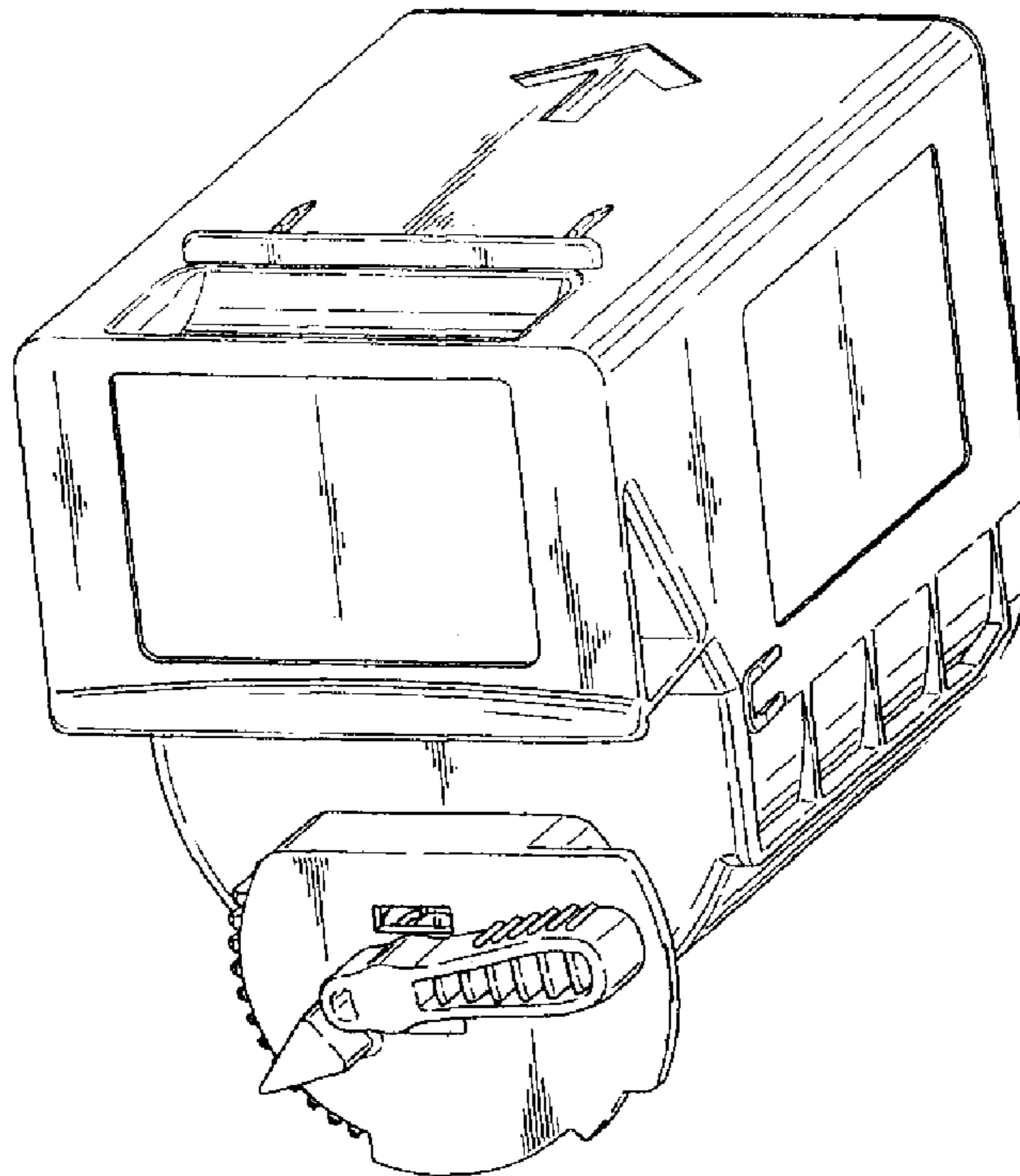
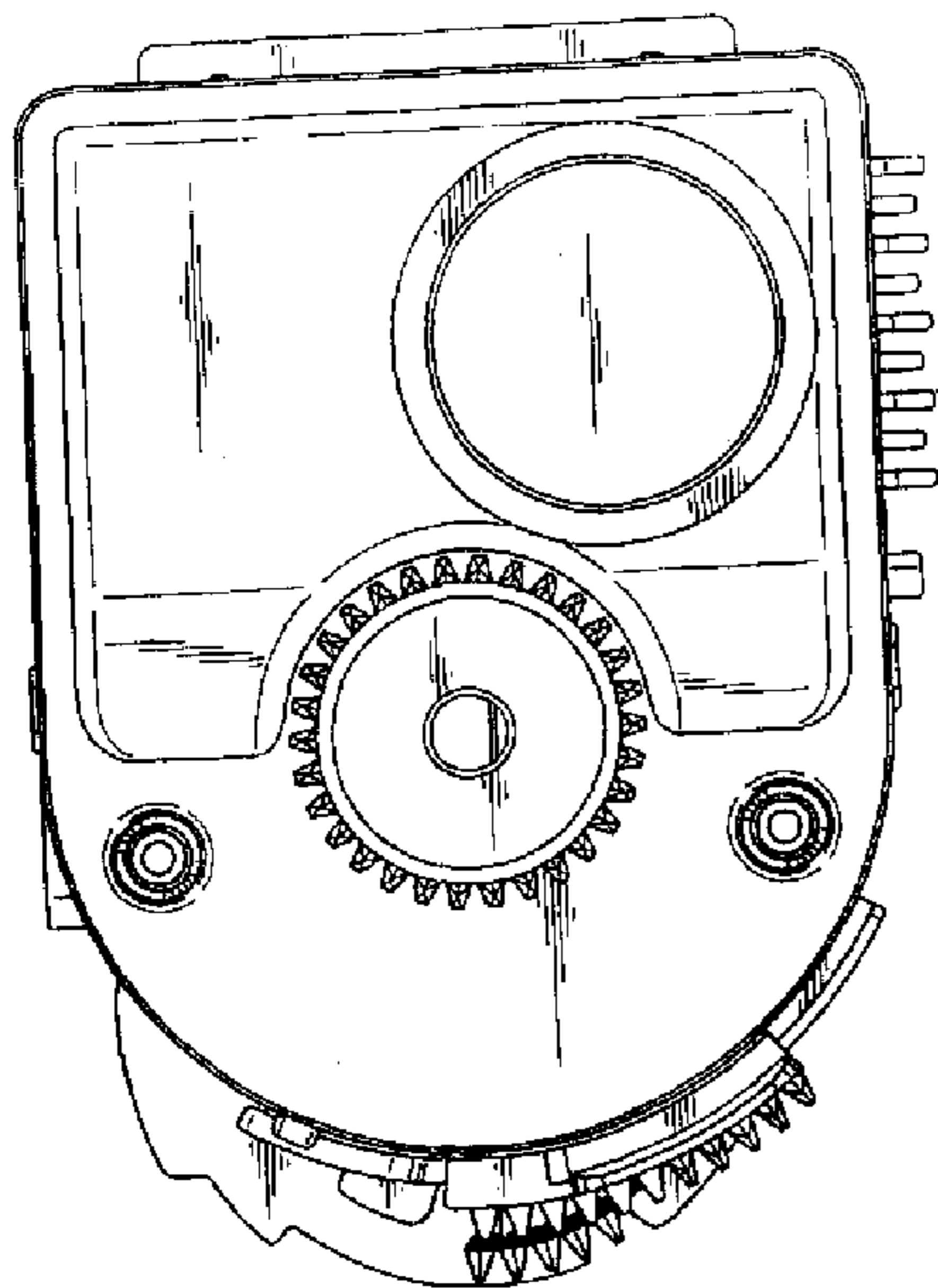
D346,819 S * 5/1994 Inniguchi et al. D18/43
 D356,107 S * 3/1995 Watanabe et al. D18/43
 D358,163 S * 5/1995 Nomura D18/43
 D379,194 S * 5/1997 Sundquist et al. D18/43
 D400,915 S * 11/1998 Nomura et al. D18/40
 D410,247 S * 5/1999 Nomura D18/43
 D422,303 S * 4/2000 Takeuchi et al. D18/43
 D422,623 S * 4/2000 Fukuoka D18/12
 D431,593 S * 10/2000 Gumbe D18/40
 D471,582 S * 3/2003 Mori D18/40

* cited by examiner
Primary Examiner—Caron Veynar
Assistant Examiner—Garth Rademaker
 (74) *Attorney, Agent, or Firm*—Fitzpatrick, Cella, Harper & Scinto

(57) **CLAIM**
 The ornamental design for a developer supplying container, as shown.

DESCRIPTION
 FIG. 1 is a front view of a developer supplying container showing our new design;
 FIG. 2 is a rear view thereof;
 FIG. 3 is a top plan view thereof;
 FIG. 4 is a bottom plan view thereof;
 FIG. 5 is a left side view thereof;
 FIG. 6 is a right side view thereof; and,
 FIG. 7 is a perspective view thereof.

1 Claim, 7 Drawing Sheets



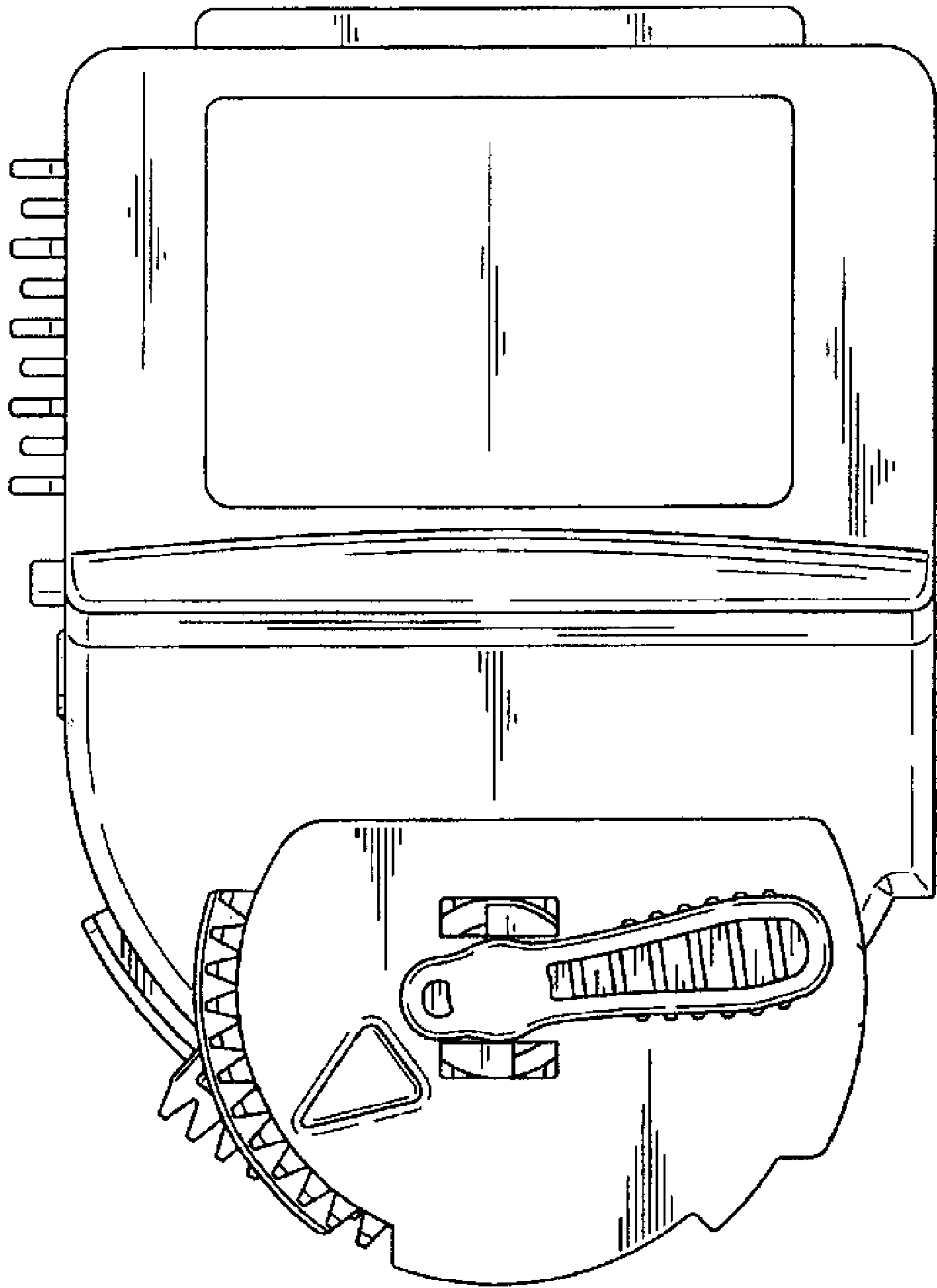


FIG. 1

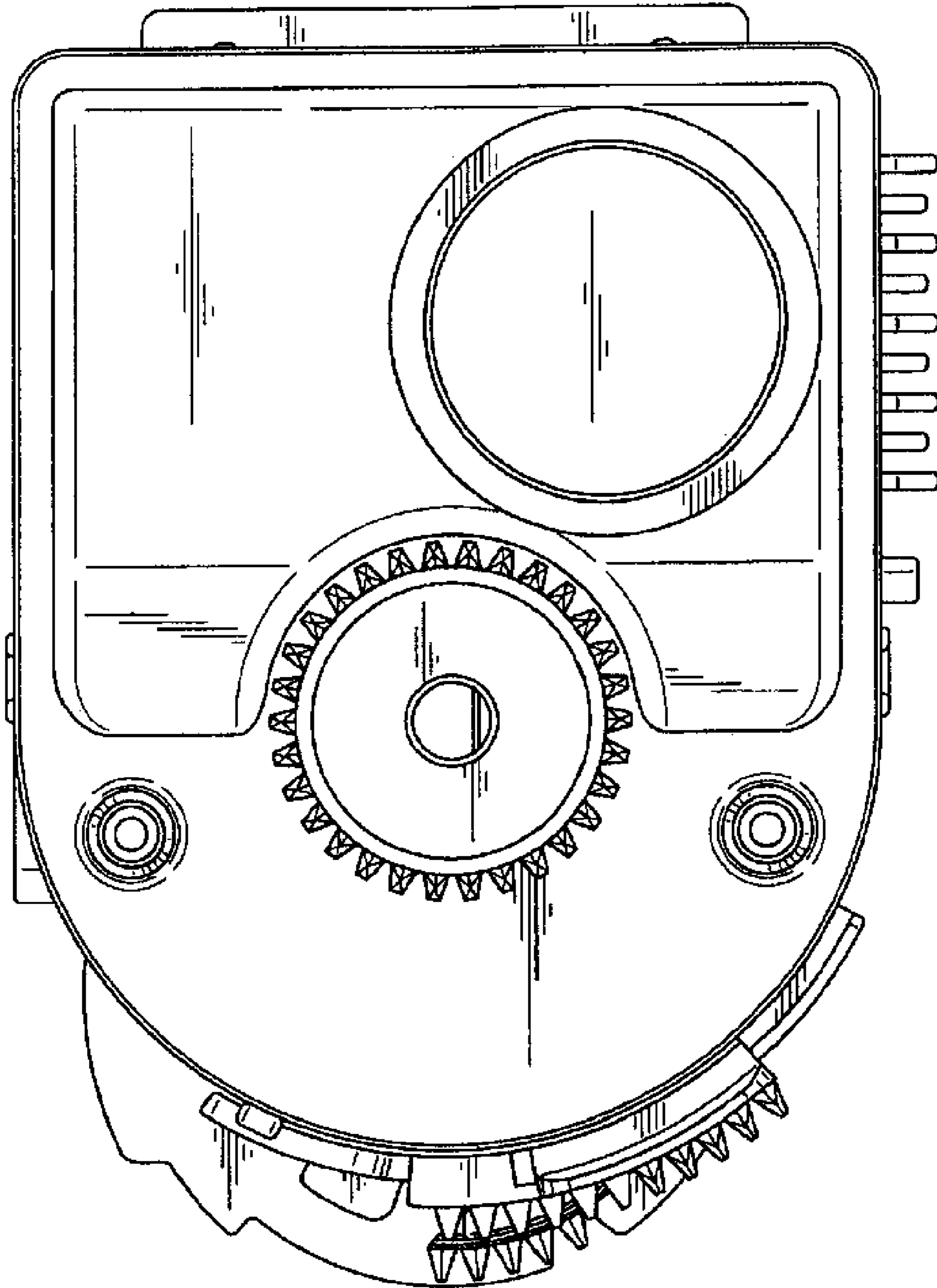


FIG. 2

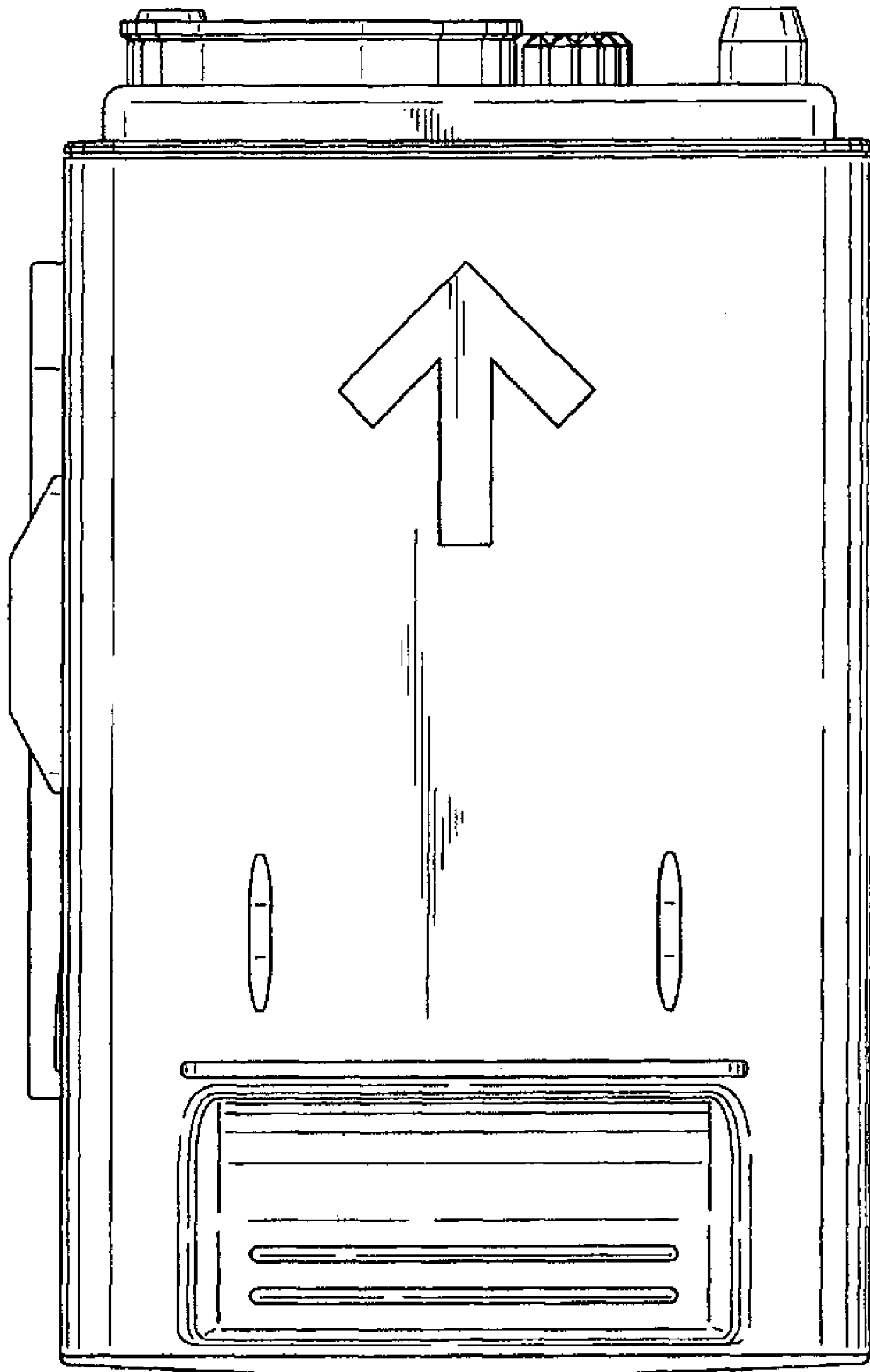


FIG. 3

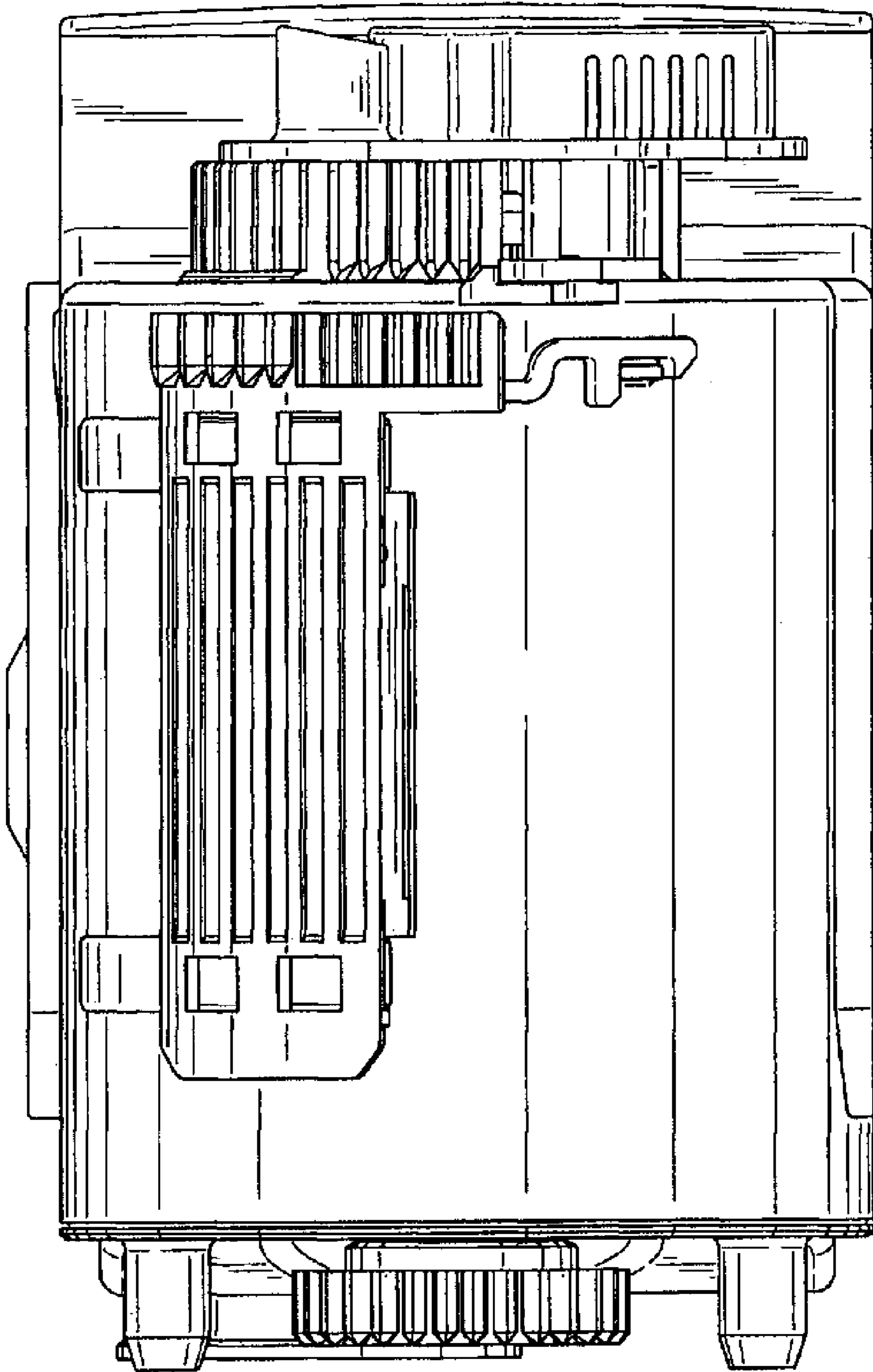


FIG. 4

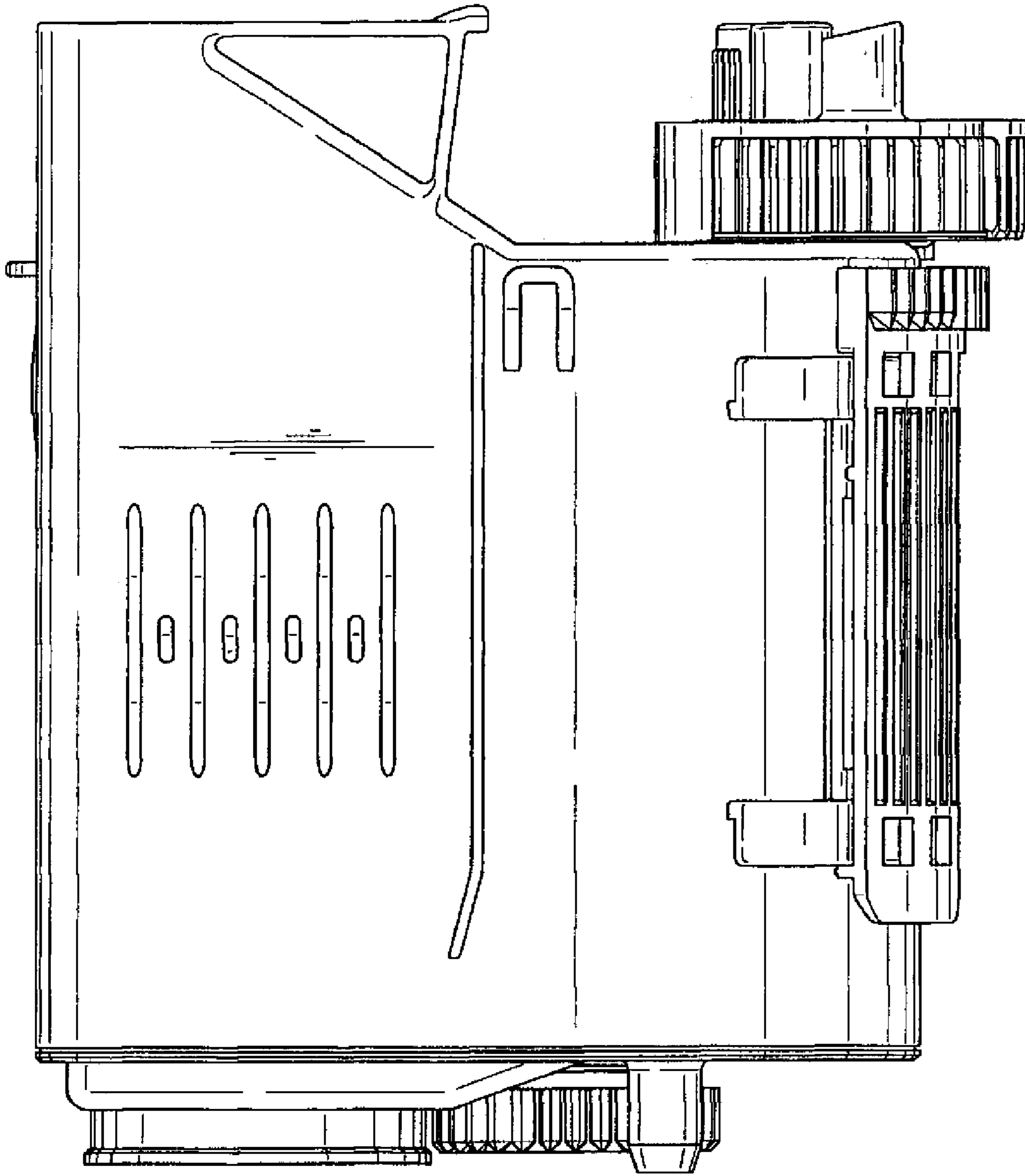


FIG. 5

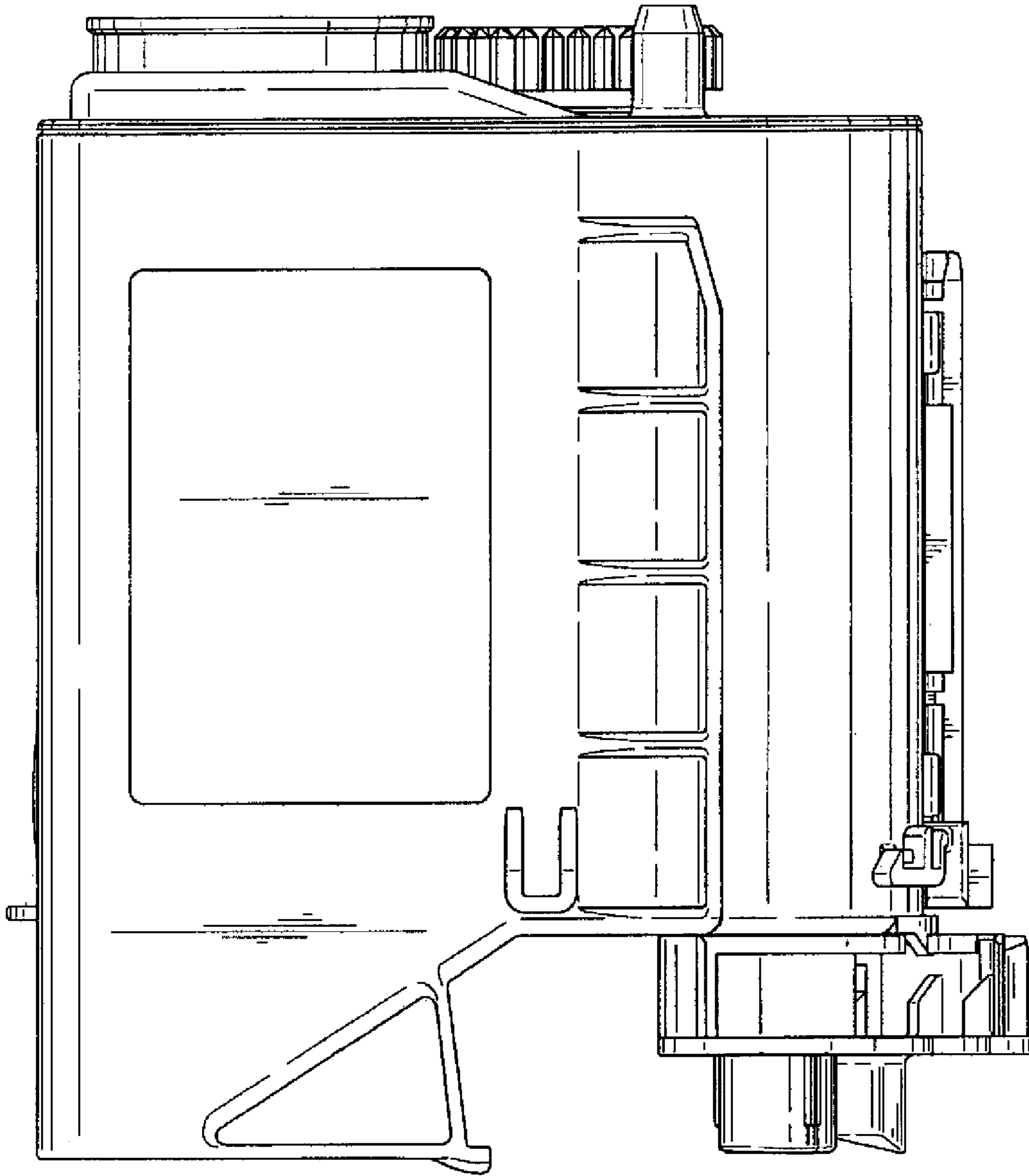


FIG. 6

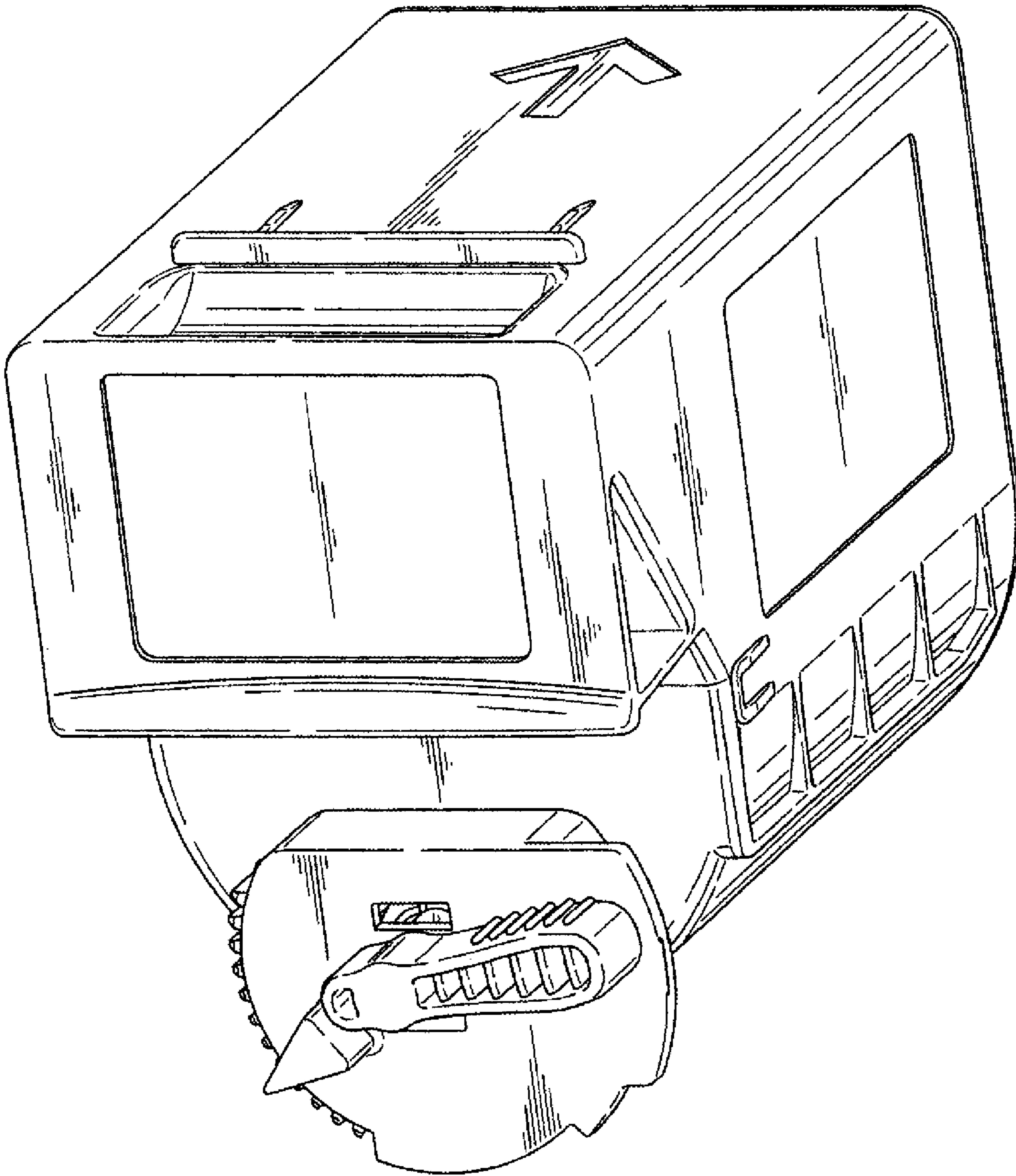


FIG. 7