



US00D530357S

(12) **United States Design Patent**
Takahashi et al.

(10) **Patent No.:** **US D530,357 S**

(45) **Date of Patent:** **** Oct. 17, 2006**

(54) **DIGITAL STILL CAMERA**

(75) Inventors: **Koichi Takahashi**, Nagano-ken (JP);
Ritsuo Shikata, Nagano-ken (JP)

(73) Assignee: **Seiko Epson Corporation**, Tokyo (JP)

(**) Term: **14 Years**

(21) Appl. No.: **29/256,727**

(22) Filed: **Mar. 24, 2006**

Related U.S. Application Data

(62) Division of application No. 29/210,931, filed on Aug. 10, 2004.

(30) **Foreign Application Priority Data**

Feb. 10, 2004 (JP) 2004-003334

(51) **LOC (8) Cl.** **16-05**

(52) **U.S. Cl.** **D16/219; D16/202**

(58) **Field of Classification Search** D16/200–205,
D16/208, 217, 218, 219; 348/373–376; 358/909.1;
396/6, 281, 287, 535, 536–541
See application file for complete search history.

(56) **References Cited**

U.S. PATENT DOCUMENTS

- 5,365,292 A * 11/1994 Wakabayashi et al. 396/281
- 5,614,980 A * 3/1997 Wakabayashi et al. 396/281
- D379,823 S * 6/1997 Haga D16/217
- D412,517 S * 8/1999 Hayamizu D16/218

- 6,341,202 B1 * 1/2002 Hosokawa et al. 396/281
- 6,483,991 B1 11/2002 Uchiyama et al.
- D466,914 S 12/2002 Kumakura
- D482,713 S 11/2003 Hayashi
- D491,596 S * 6/2004 Haga D16/219
- 6,760,548 B1 * 7/2004 Seki et al. 396/287
- D495,727 S 9/2004 Dow et al.
- D507,586 S 7/2005 Nakamura

FOREIGN PATENT DOCUMENTS

JP 107 54 17 6/2000

* cited by examiner

Primary Examiner—Adir Aronovich

(74) *Attorney, Agent, or Firm*—Sughrue Mion, PLLC

(57) **CLAIM**

The ornamental design for a digital still camera, as shown and described.

DESCRIPTION

FIG. 1 is a perspective view of the top, front and right side of a digital still camera showing our new design;
 FIG. 2 is a top plan view thereof;
 FIG. 3 is a front elevational view thereof;
 FIG. 4 is a rear elevational view thereof;
 FIG. 5 is a bottom plan view thereof;
 FIG. 6 is a left side elevational view thereof; and,
 FIG. 7 is a right side elevational thereof.
 The elements shown in broken lines are for illustrative purposes only and form no part of the claimed design.

1 Claim, 4 Drawing Sheets

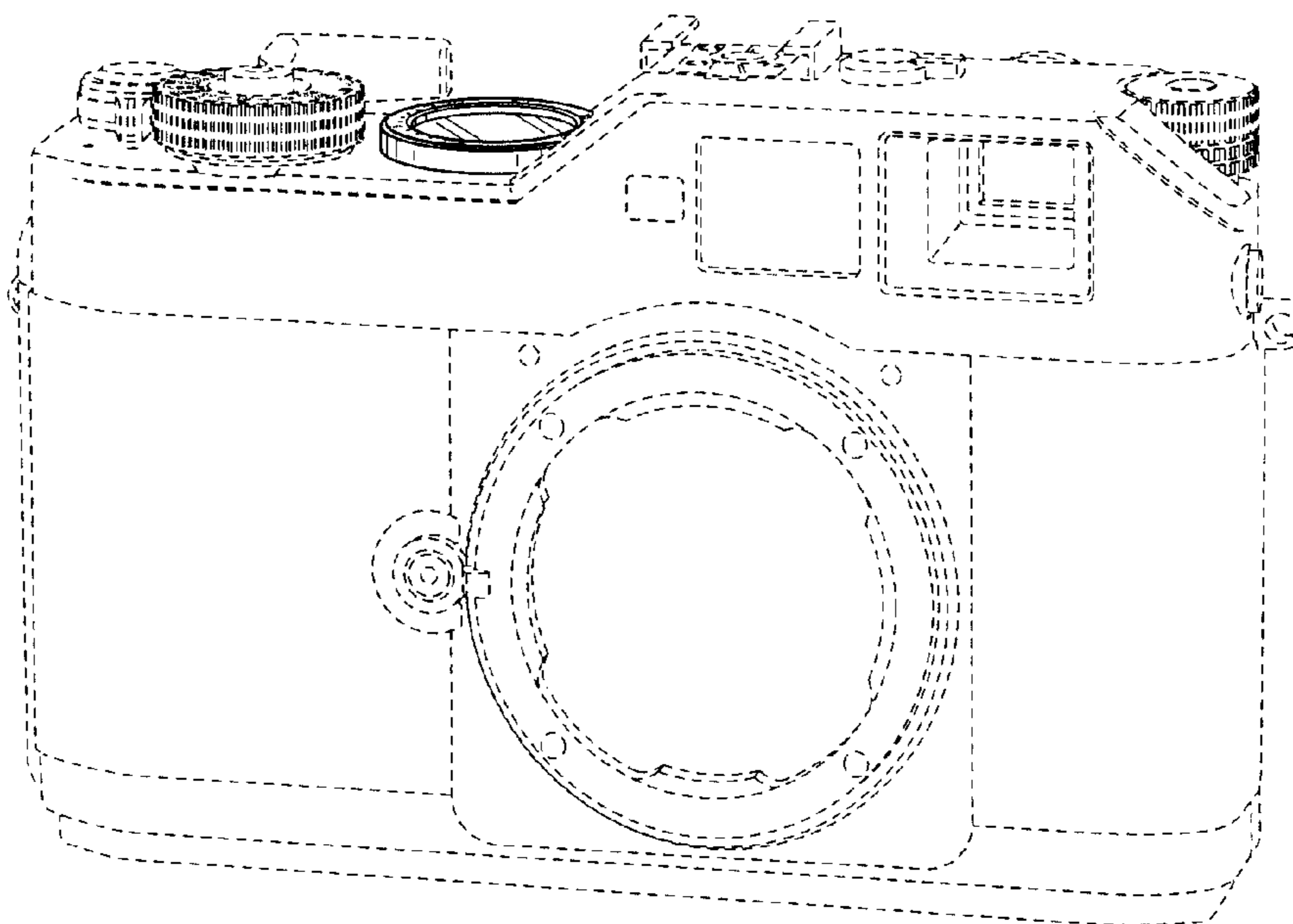


FIG. 1

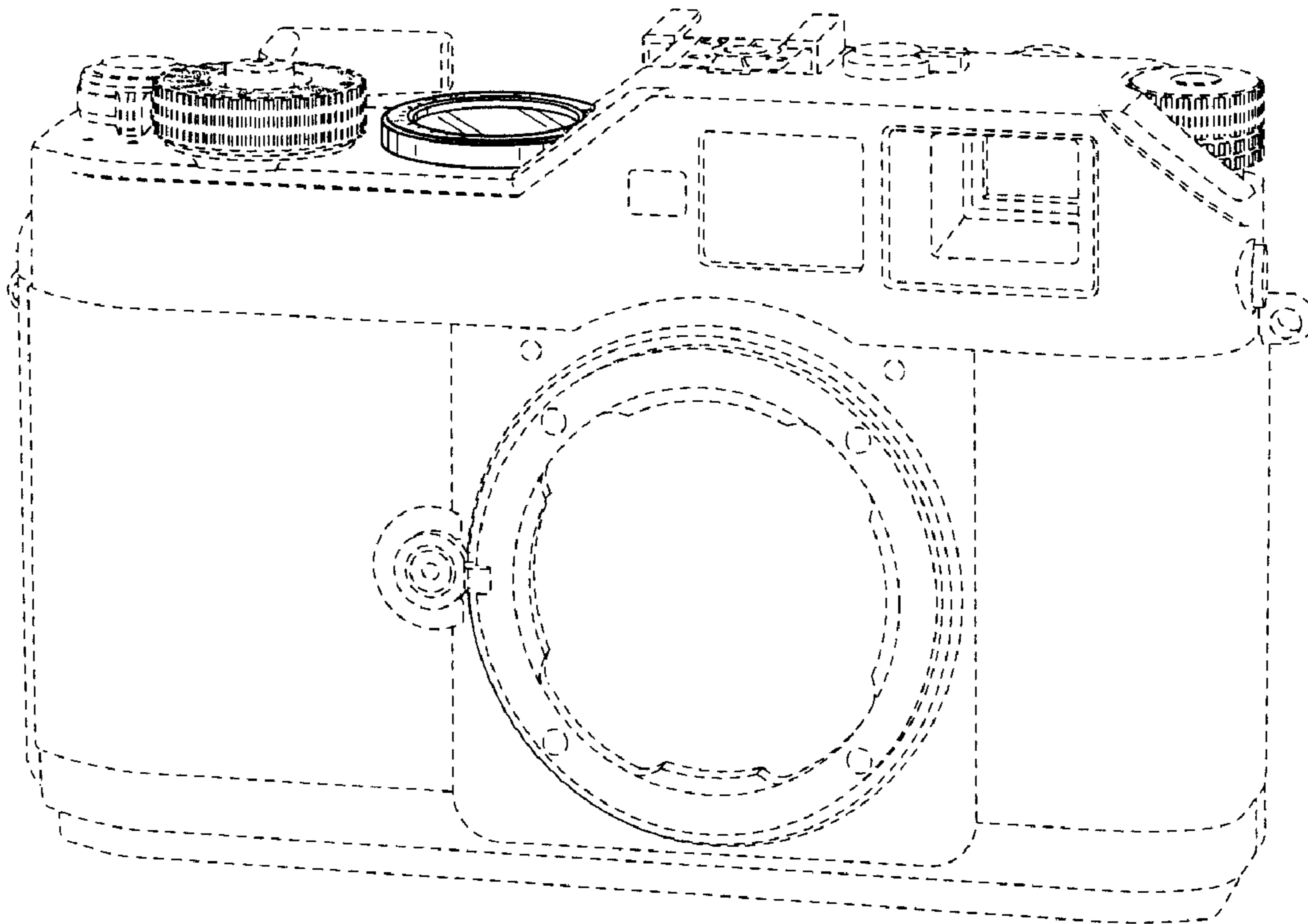


FIG. 2

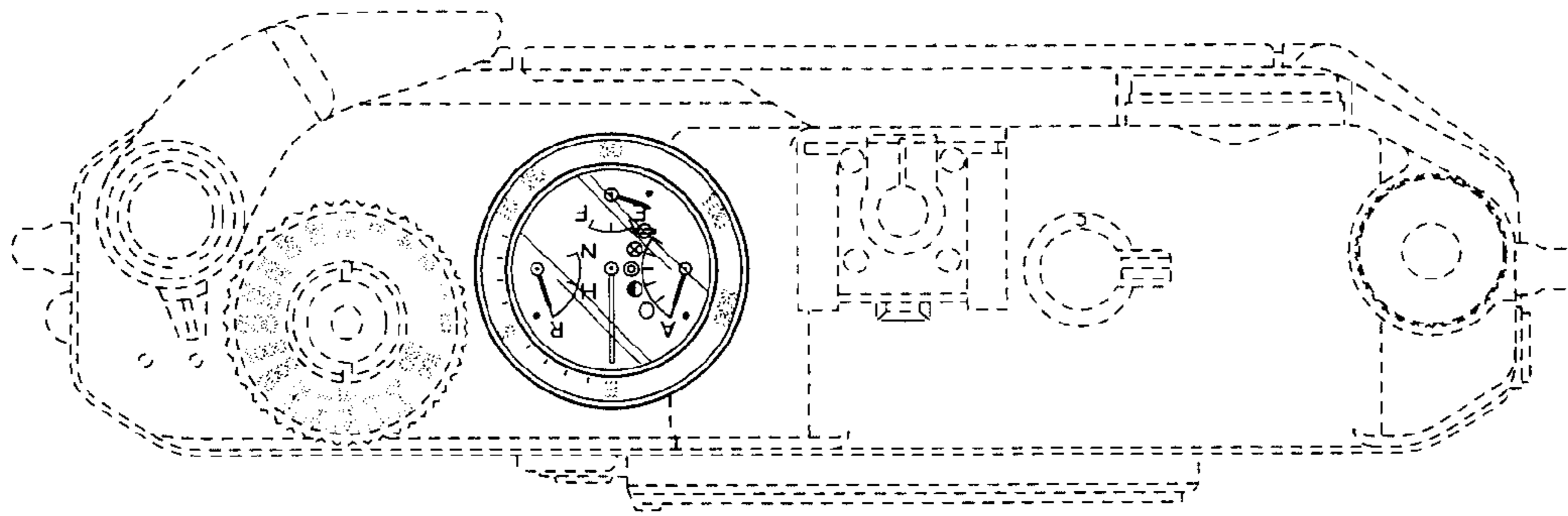


FIG. 3

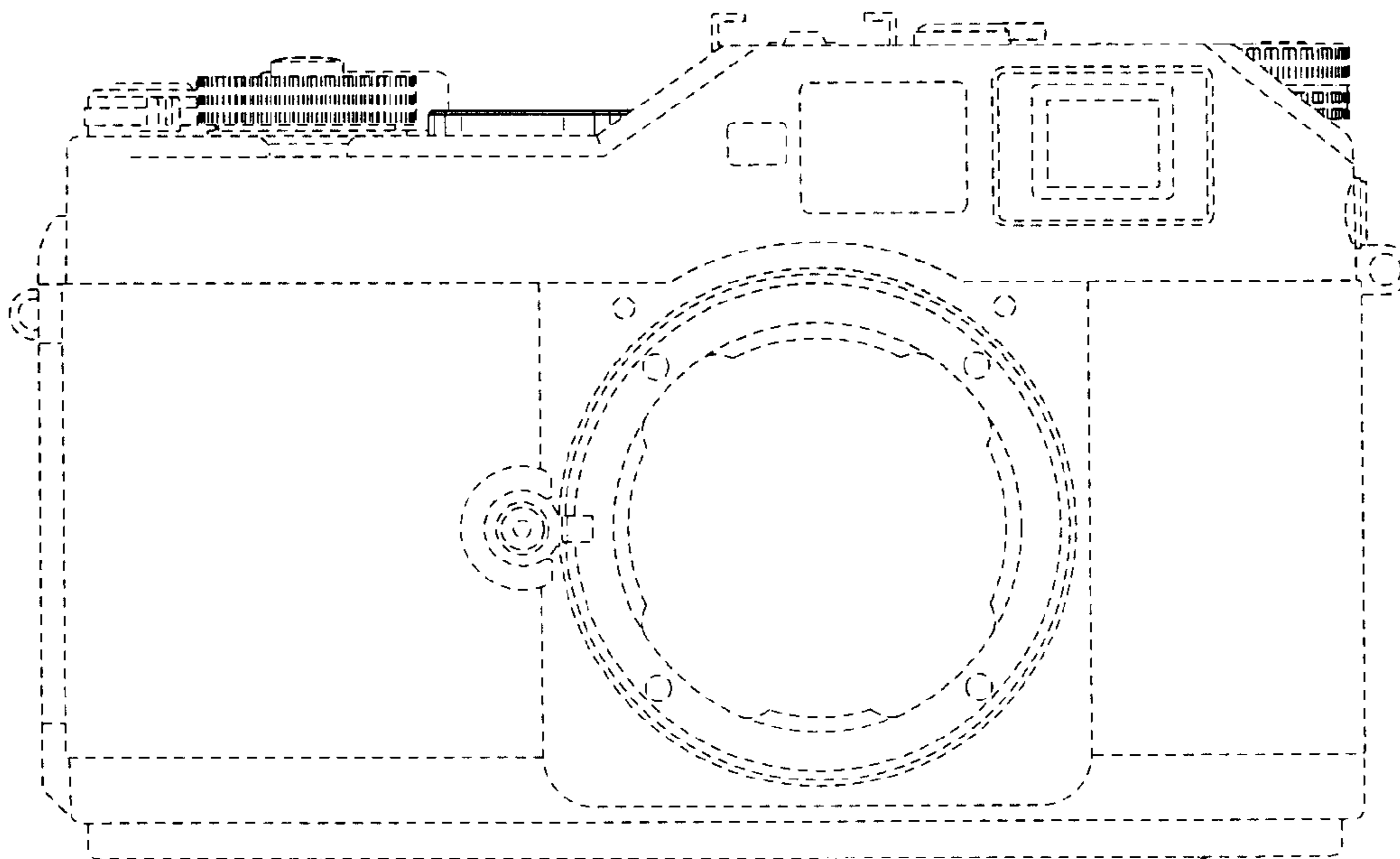


FIG. 4

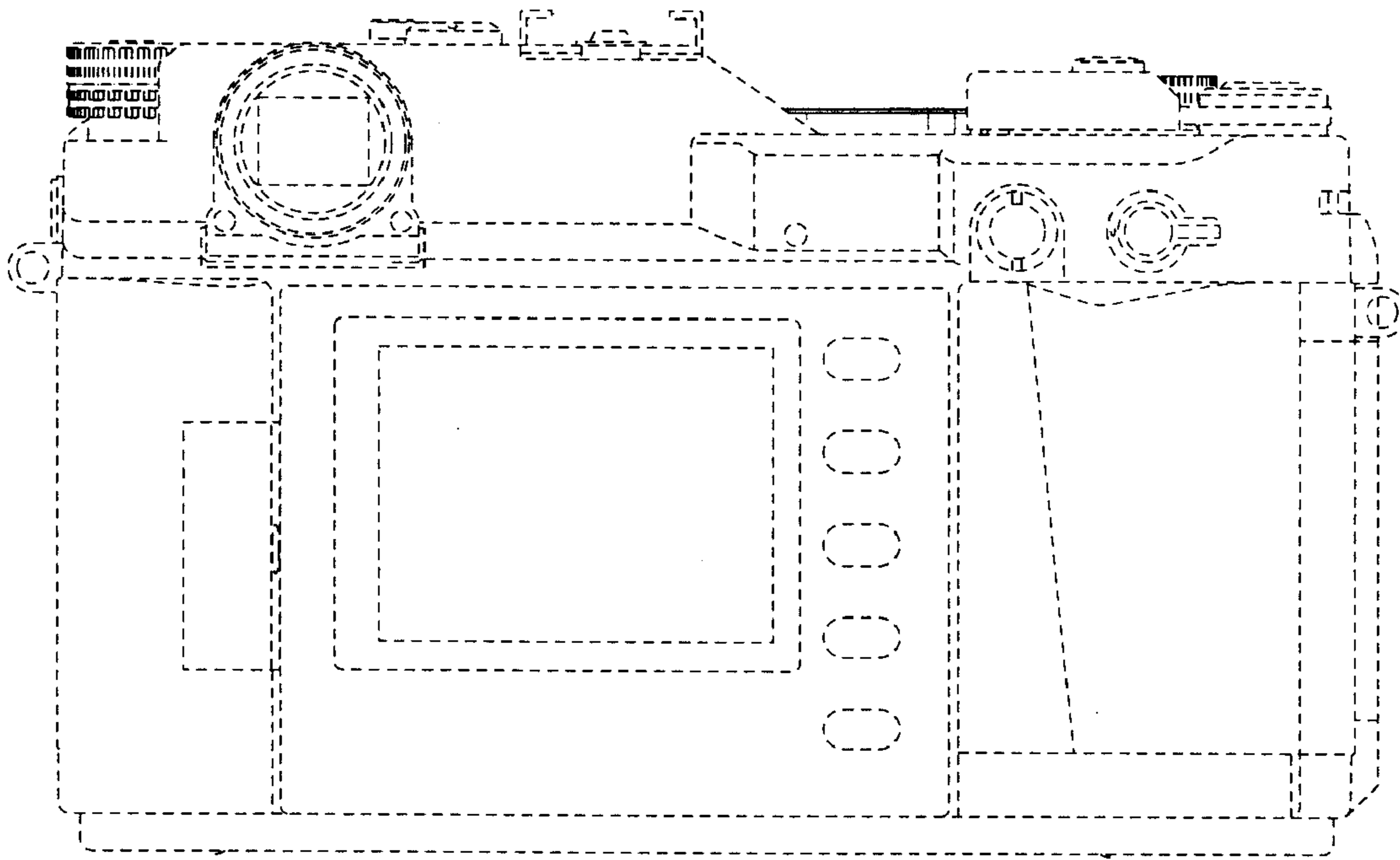


FIG. 5

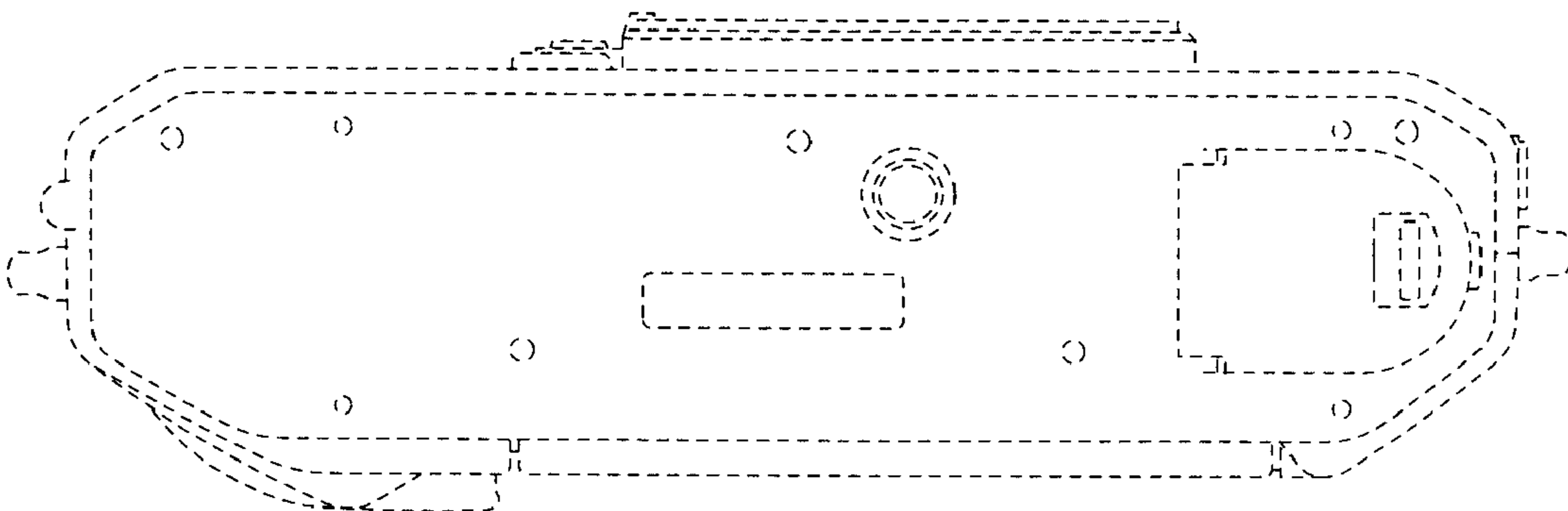


FIG. 6

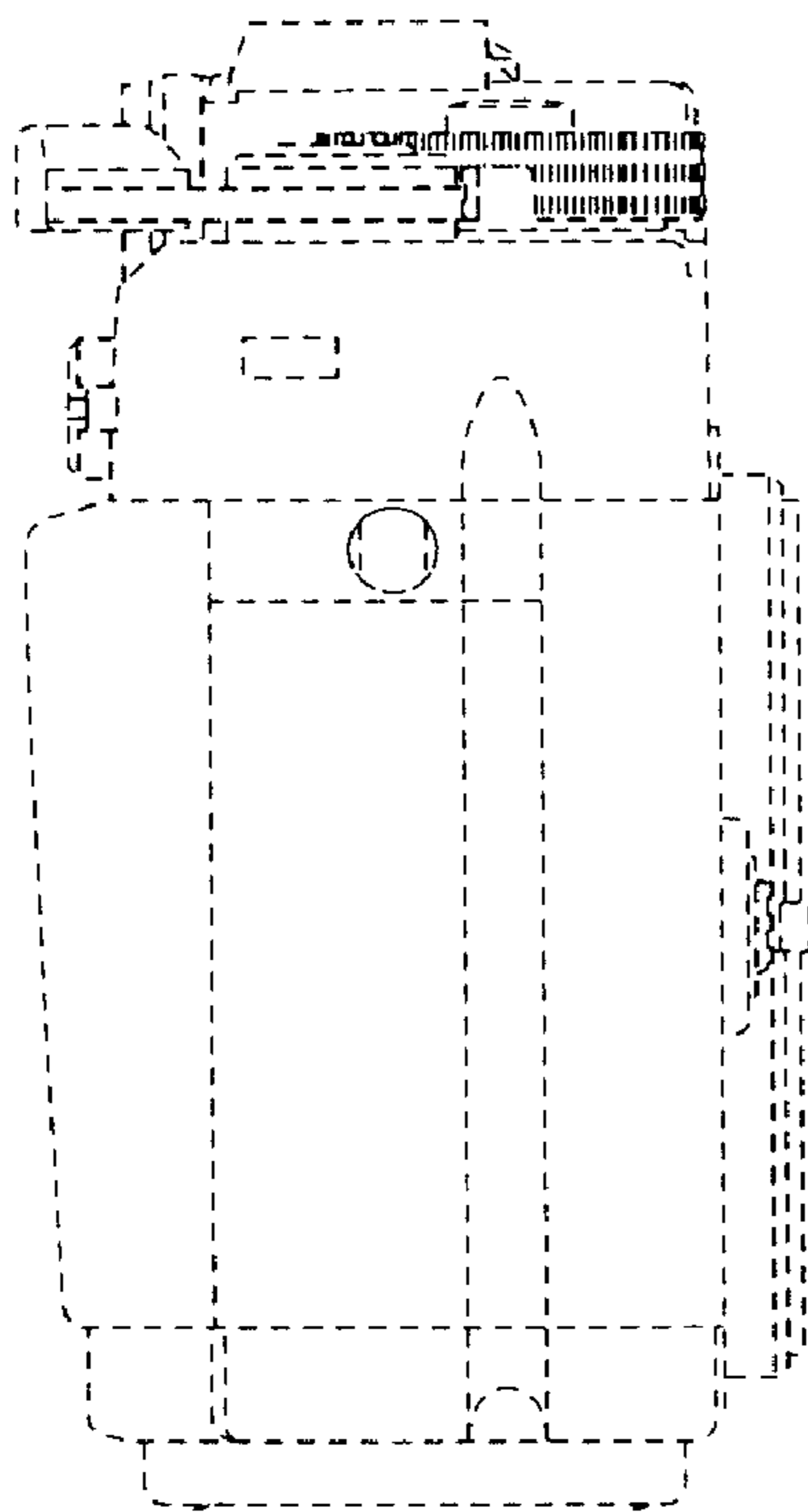


FIG. 7

