



US00D530356S

(12) **United States Design Patent**
Ohashi et al.

(10) **Patent No.:** **US D530,356 S**

(45) **Date of Patent:** **** Oct. 17, 2006**

(54) **CAMERA IMAGE RECORDER**

(75) Inventors: **Takahiro Ohashi**, Ohtsu (JP); **Go Murayama**, Ohtsu (JP); **Yasuhiko Matsumoto**, Ohtsu (JP); **Masahiko Shibata**, Ohtsu (JP); **Ryosuke Miwa**, Ohtsu (JP); **Kouji Maruta**, Ohtsu (JP)

(73) Assignee: **Optex Co., Ltd.**, Shiga (JP)

(**) Term: **14 Years**

(21) Appl. No.: **29/206,274**

(22) Filed: **May 28, 2004**

(30) **Foreign Application Priority Data**

Nov. 28, 2003 (JP) 2003-035437

(51) **LOC (8) Cl.** **16-01**

(52) **U.S. Cl.** **D16/218; D16/202**

(58) **Field of Classification Search** D16/200-206,
D16/208, 218; 348/143, 151, 373-376; 358/906,
358/909.1; 396/427, 535, 536-541
See application file for complete search history.

(56) **References Cited**

U.S. PATENT DOCUMENTS

D200,126 S * 1/1965 Drucker D16/200

D244,686 S * 6/1977 Hansen D16/218
D272,072 S * 1/1984 Ainslie D16/218
D408,044 S * 4/1999 Tanaka et al. D16/202
D486,846 S * 2/2004 Muto D16/202
6,768,868 B1 * 7/2004 Schnell 396/427

* cited by examiner

Primary Examiner—Adir Aronovich

(74) *Attorney, Agent, or Firm*—Wenderoth, Lind & Ponack, L.L.P.

(57) **CLAIM**

The ornamental design for a camera image recorder, as shown and described.

DESCRIPTION

FIG. 1 is a front view of a camera image recorder showing our new design;

FIG. 2 is a rear view thereof;

FIG. 3 is a top plan view thereof;

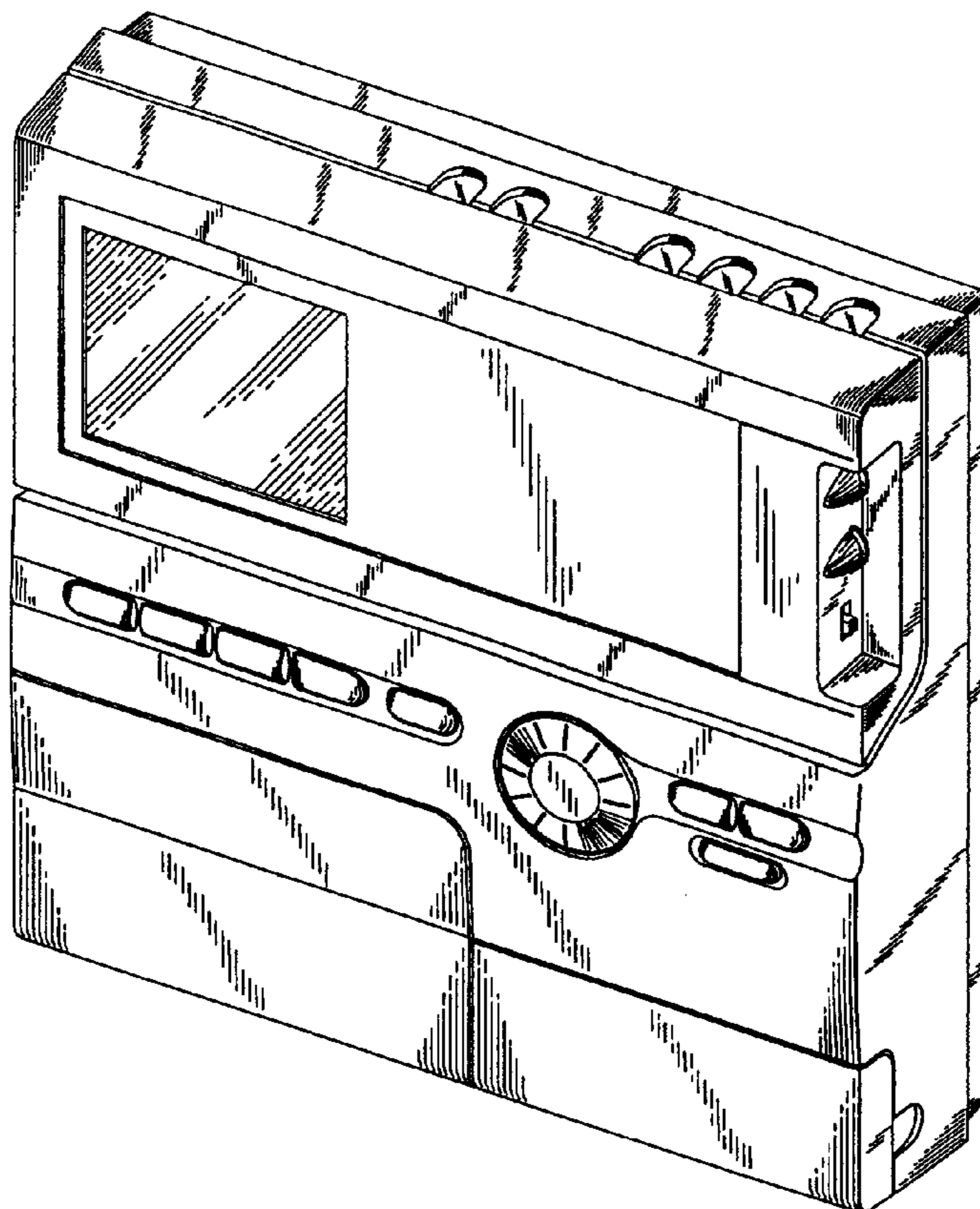
FIG. 4 is a bottom plan view thereof;

FIG. 5 is a right side view thereof;

FIG. 6 is a left side view thereof; and,

FIG. 7 is a front and right side perspective view thereof.

1 Claim, 4 Drawing Sheets



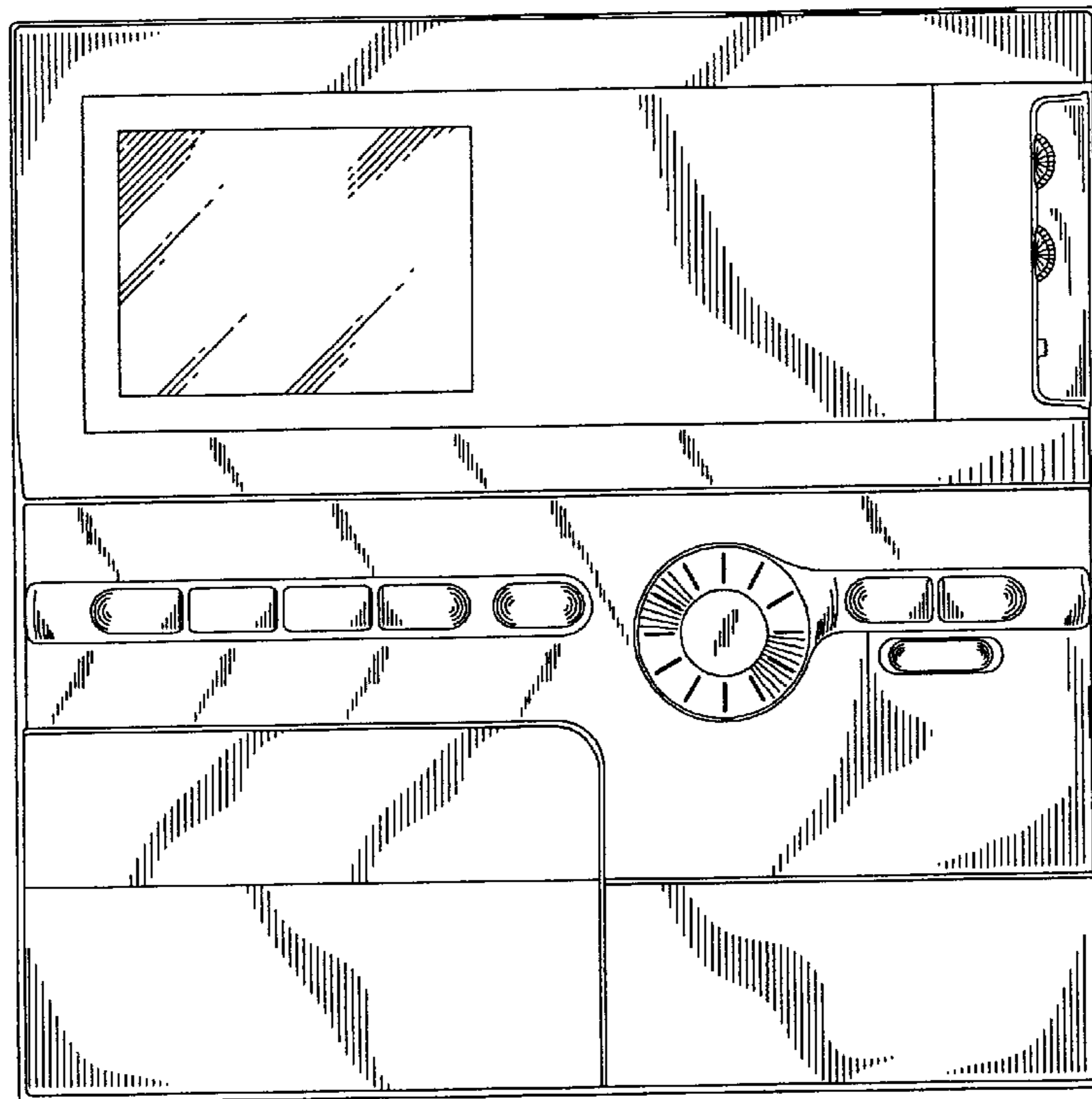


Fig.1

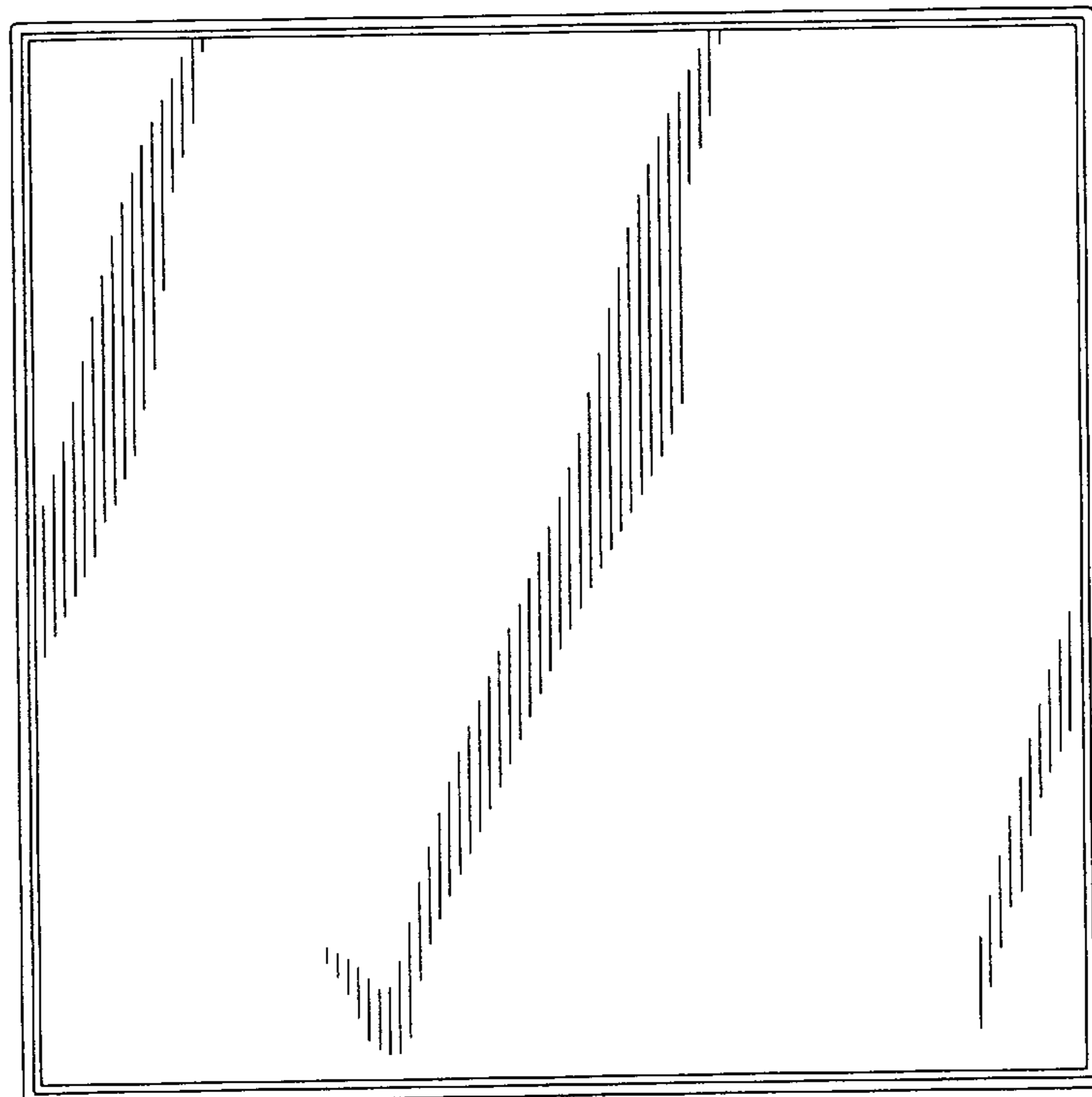


Fig.2

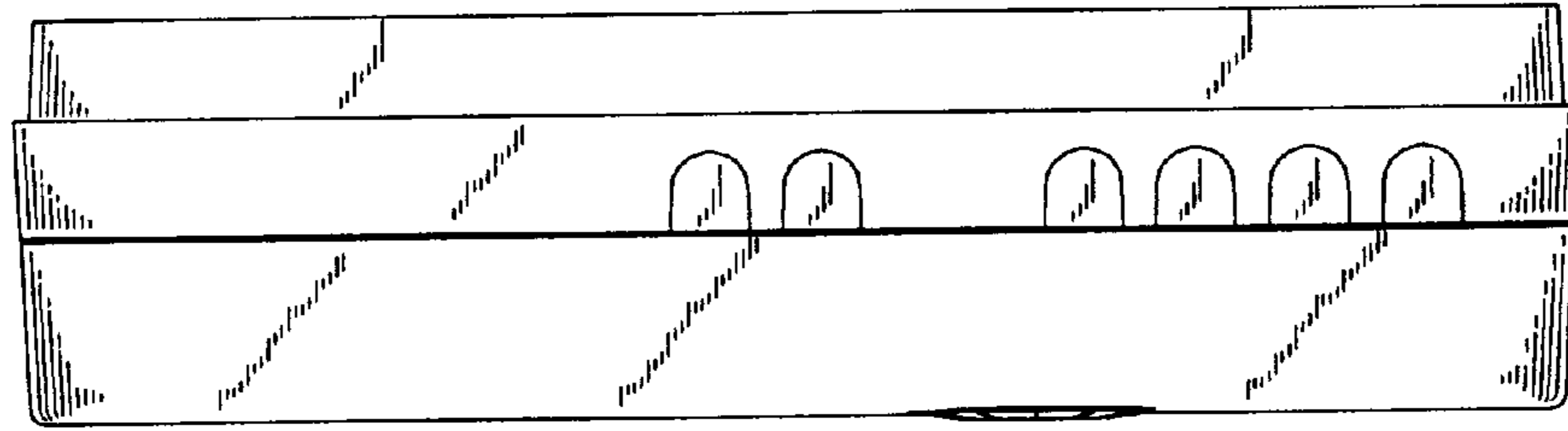


Fig. 3

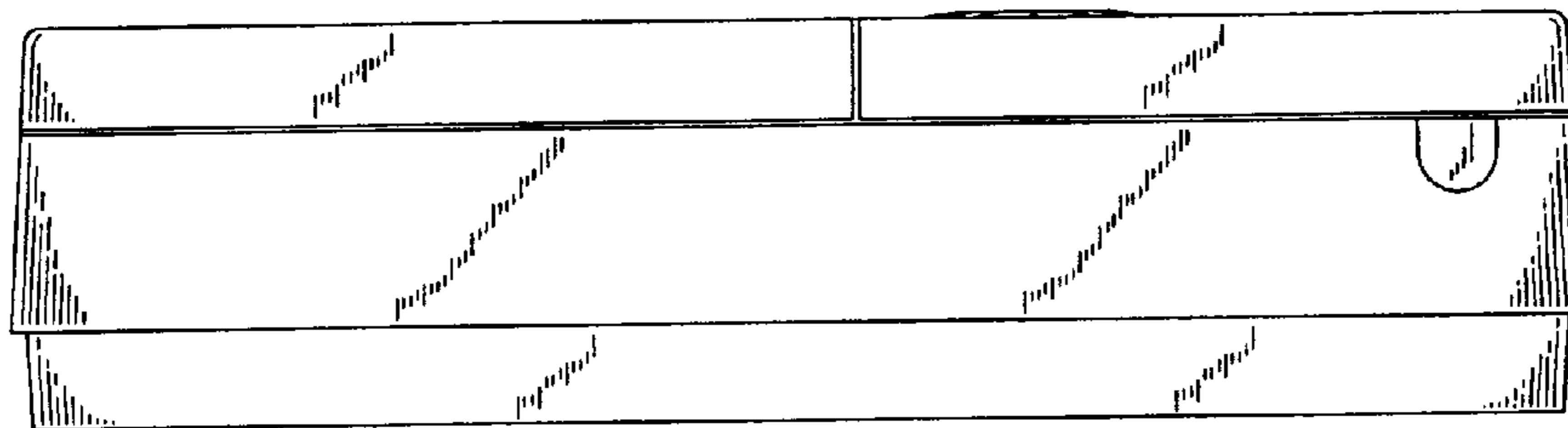


Fig. 4

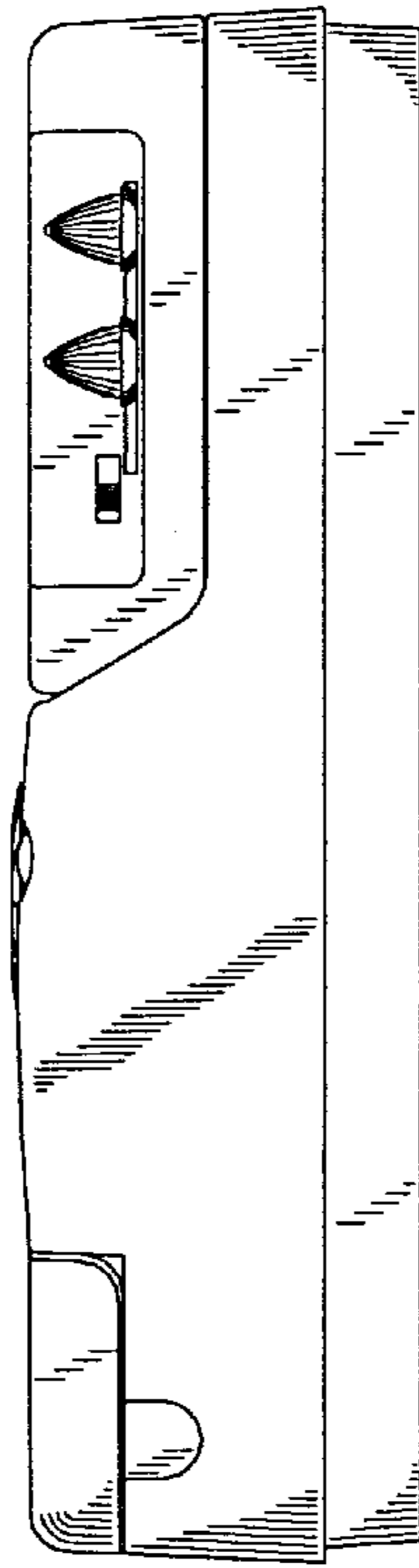


Fig. 5

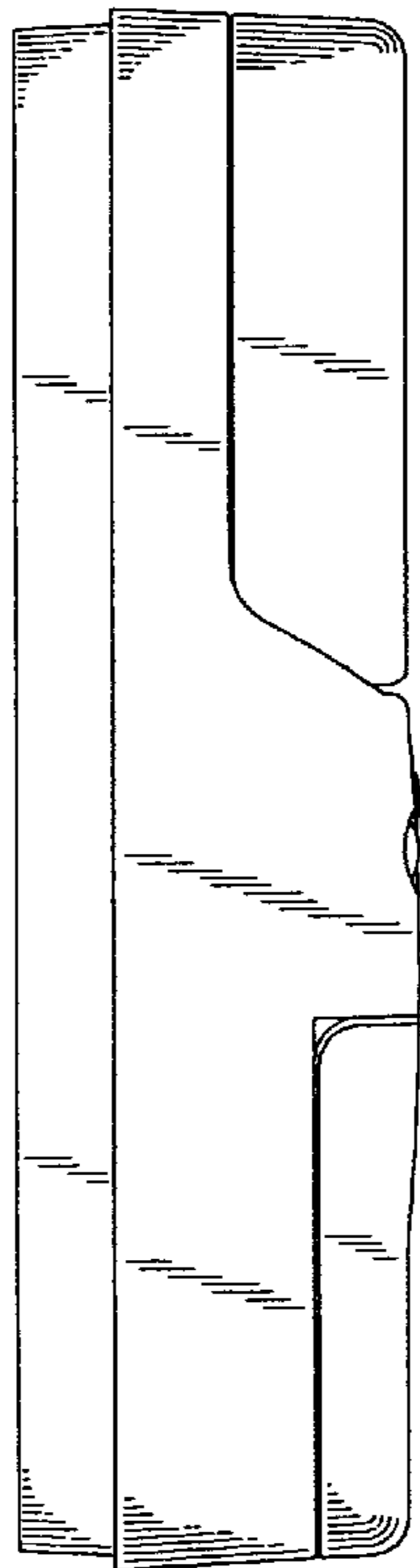


Fig. 6

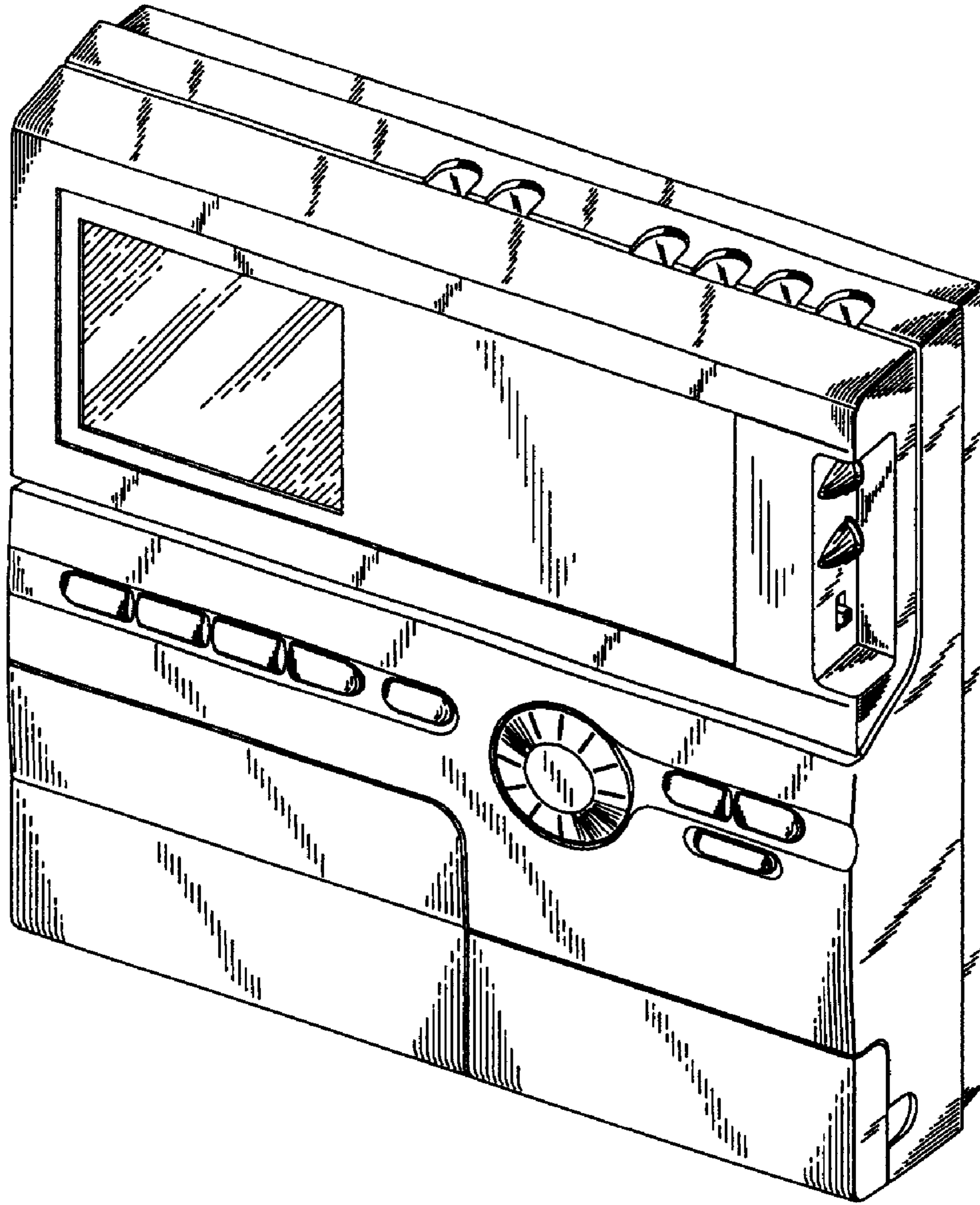


Fig. 7