

US00D530355S

(12) **United States Design Patent**  
**Chen**

(10) **Patent No.:** **US D530,355 S**

(45) **Date of Patent:** **\*\* Oct. 17, 2006**

(54) **CAMERA**

(75) **Inventor:** **Wen-Jye Chen, Sindian (TW)**

(73) **Assignee:** **Fujinon Corporation, Saitama (JP)**

(\*\*) **Term:** **14 Years**

(21) **Appl. No.:** **29/225,732**

(22) **Filed:** **Mar. 21, 2005**

(30) **Foreign Application Priority Data**

Sep. 21, 2004 (JP) ..... 2004-028531

(51) **LOC (8) Cl.** ..... **16-01**

(52) **U.S. Cl.** ..... **D16/212; D16/209**

(58) **Field of Classification Search** ..... D16/200–205,  
D16/208, 209, 211, 212, 218; 396/59, 349,  
396/448, 535, 536–541

See application file for complete search history.

(56) **References Cited**

**U.S. PATENT DOCUMENTS**

5,508,769 A \* 4/1996 Inoue et al. .... 396/349  
5,708,891 A \* 1/1998 Ando et al. .... 396/448  
D444,162 S \* 6/2001 Senda ..... D16/202

D468,334 S \* 1/2003 Funato ..... D16/212  
D488,494 S \* 4/2004 Katayama ..... D16/202  
D510,746 S \* 10/2005 Imai ..... D16/212

\* cited by examiner

*Primary Examiner*—Adir Aronovich

(74) *Attorney, Agent, or Firm*—Young & Thompson

(57) **CLAIM**

The ornamental design for a camera, as shown and described.

**DESCRIPTION**

FIG. 1 is a top, front and side perspective view of a camera showing my new design;

FIG. 2 is a front elevational view thereof;

FIG. 3 is a rear elevational view thereof;

FIG. 4 is a top plan view thereof;

FIG. 5 is a bottom plan view thereof;

FIG. 6 is a side elevational view thereof from the left of FIG. 2;

FIG. 7 is a side elevational view thereof from the right of FIG. 2; and,

FIG. 8 is a view thereof similar to FIG. 1, but with the parts in a different position.

**1 Claim, 4 Drawing Sheets**

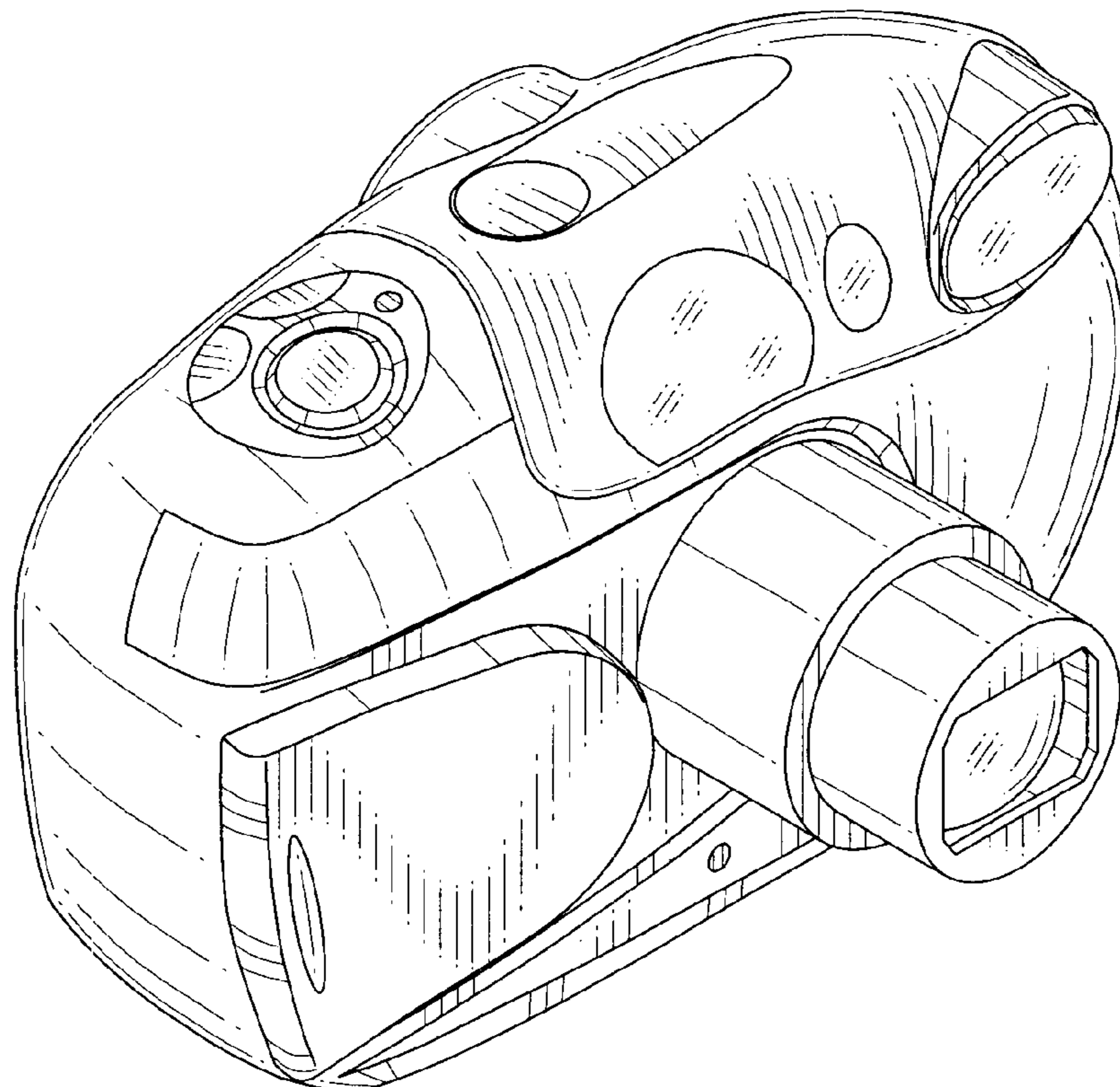


FIG. 1

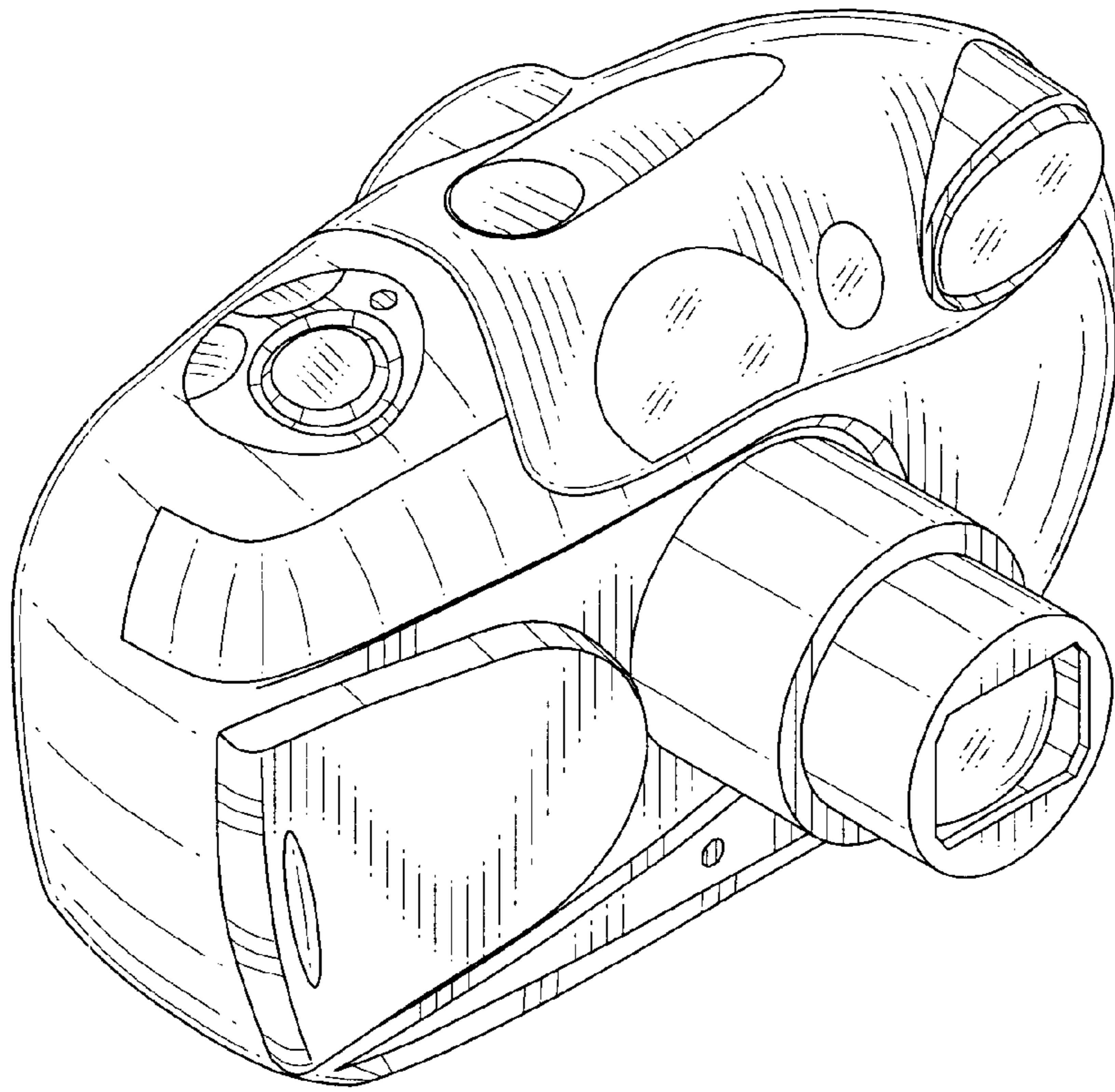


FIG. 2

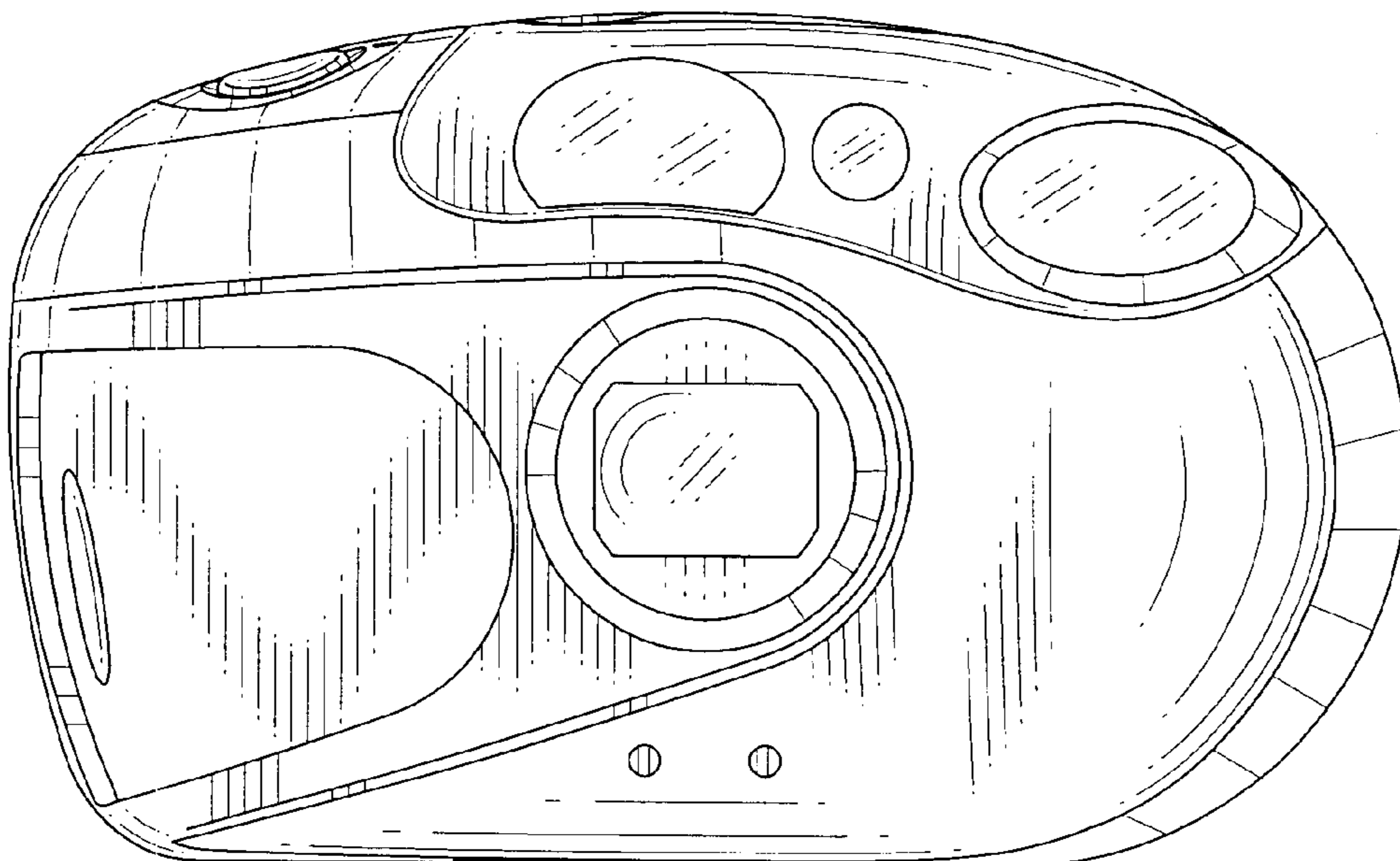


FIG.3

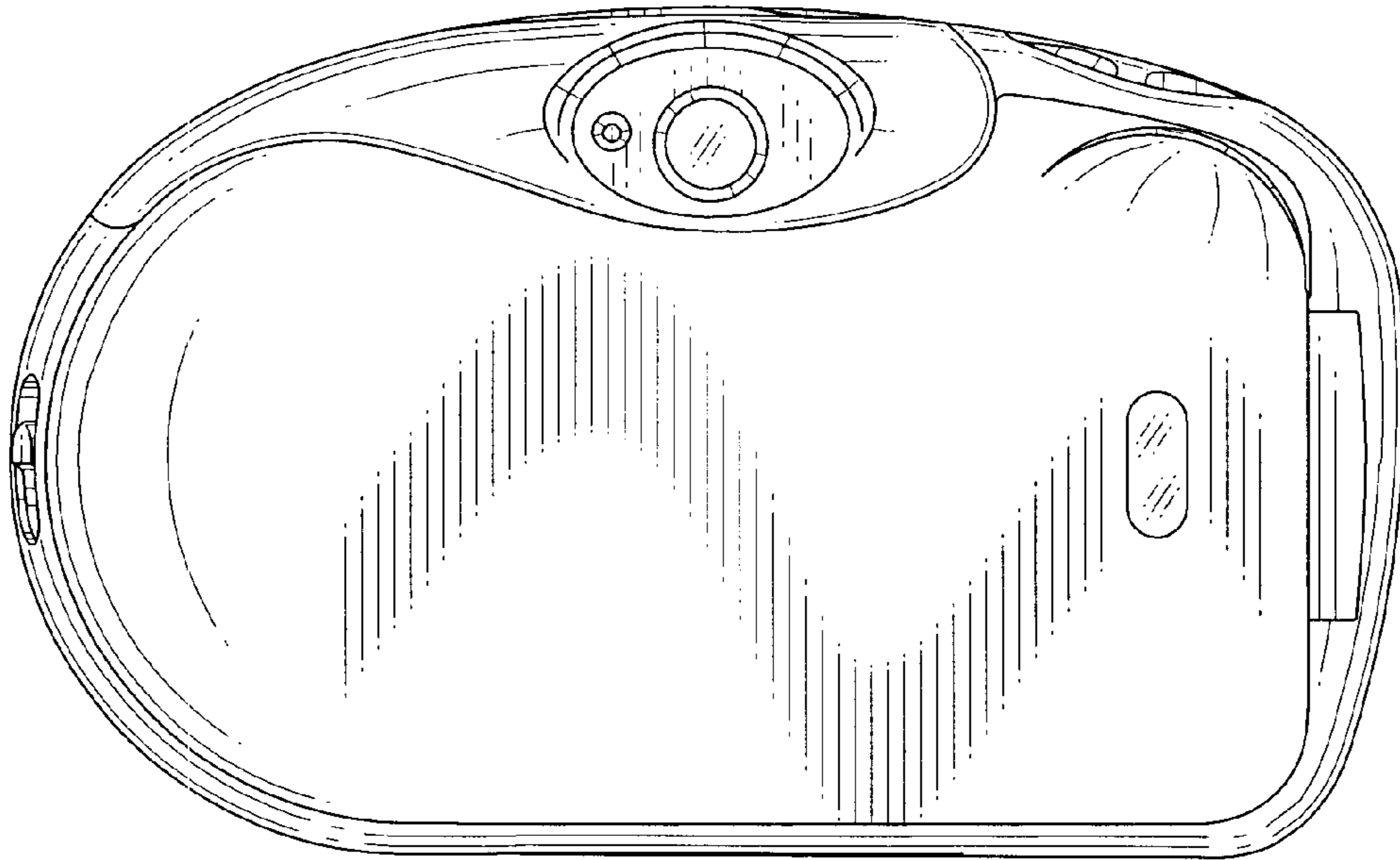


FIG.4

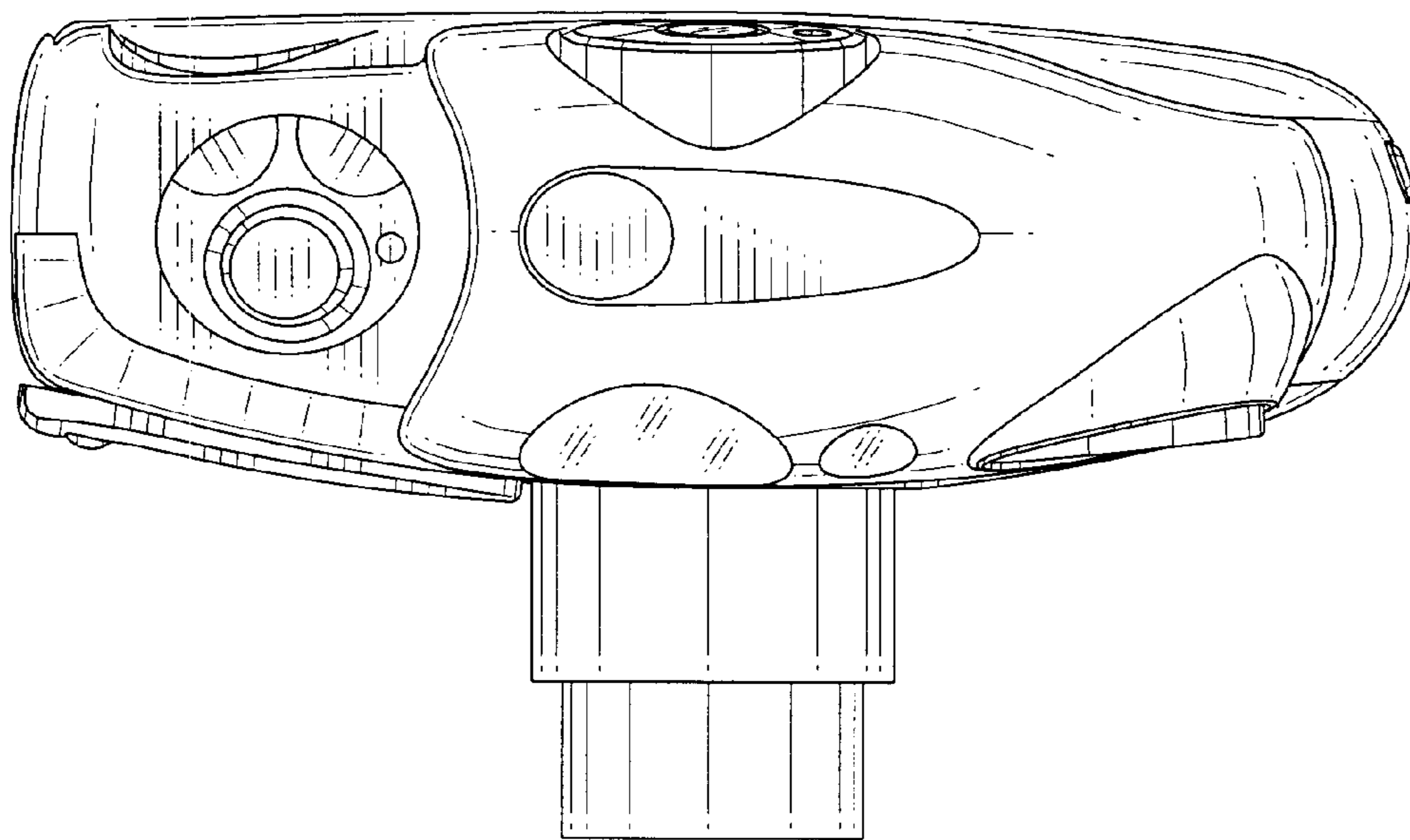


FIG.5

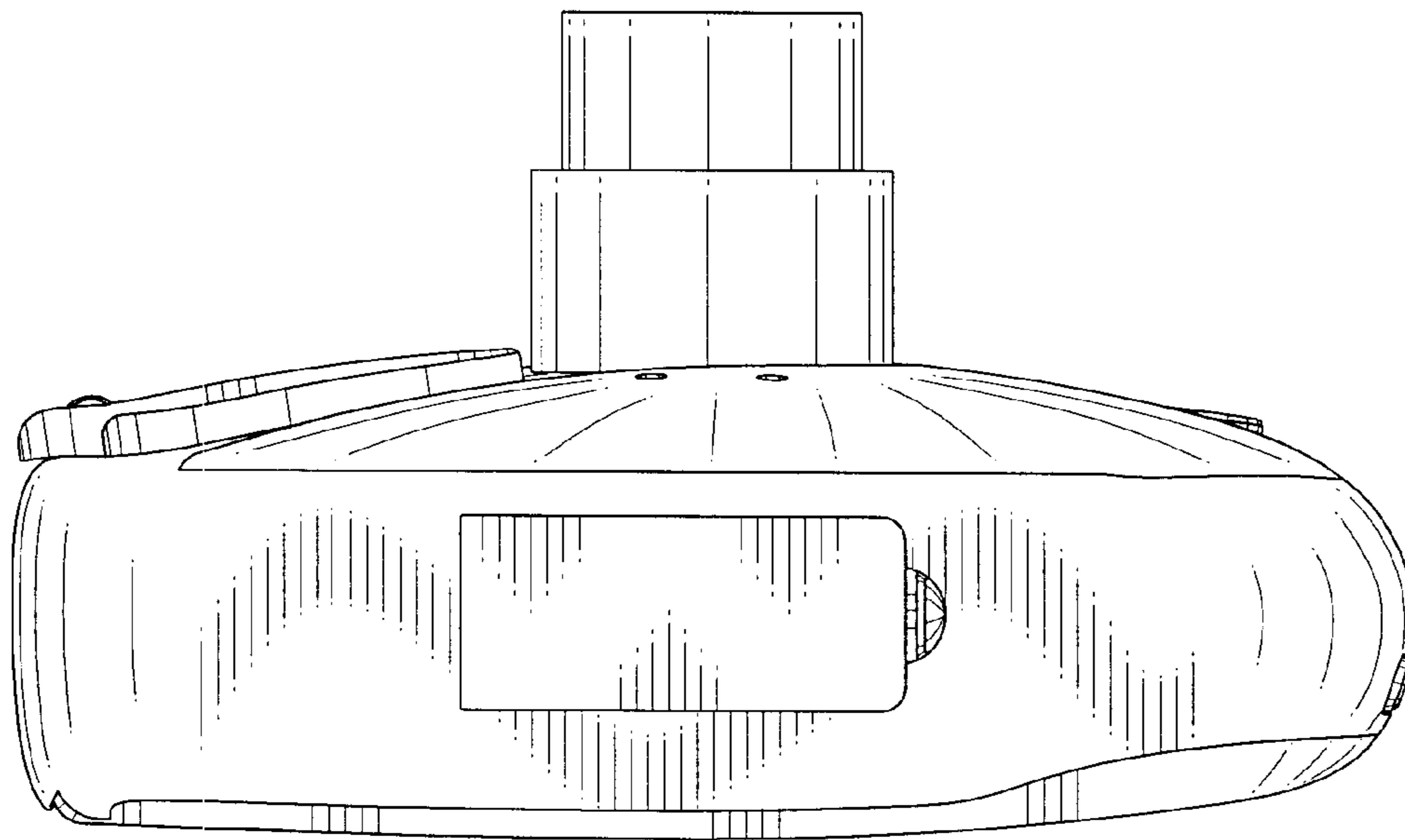


FIG.6

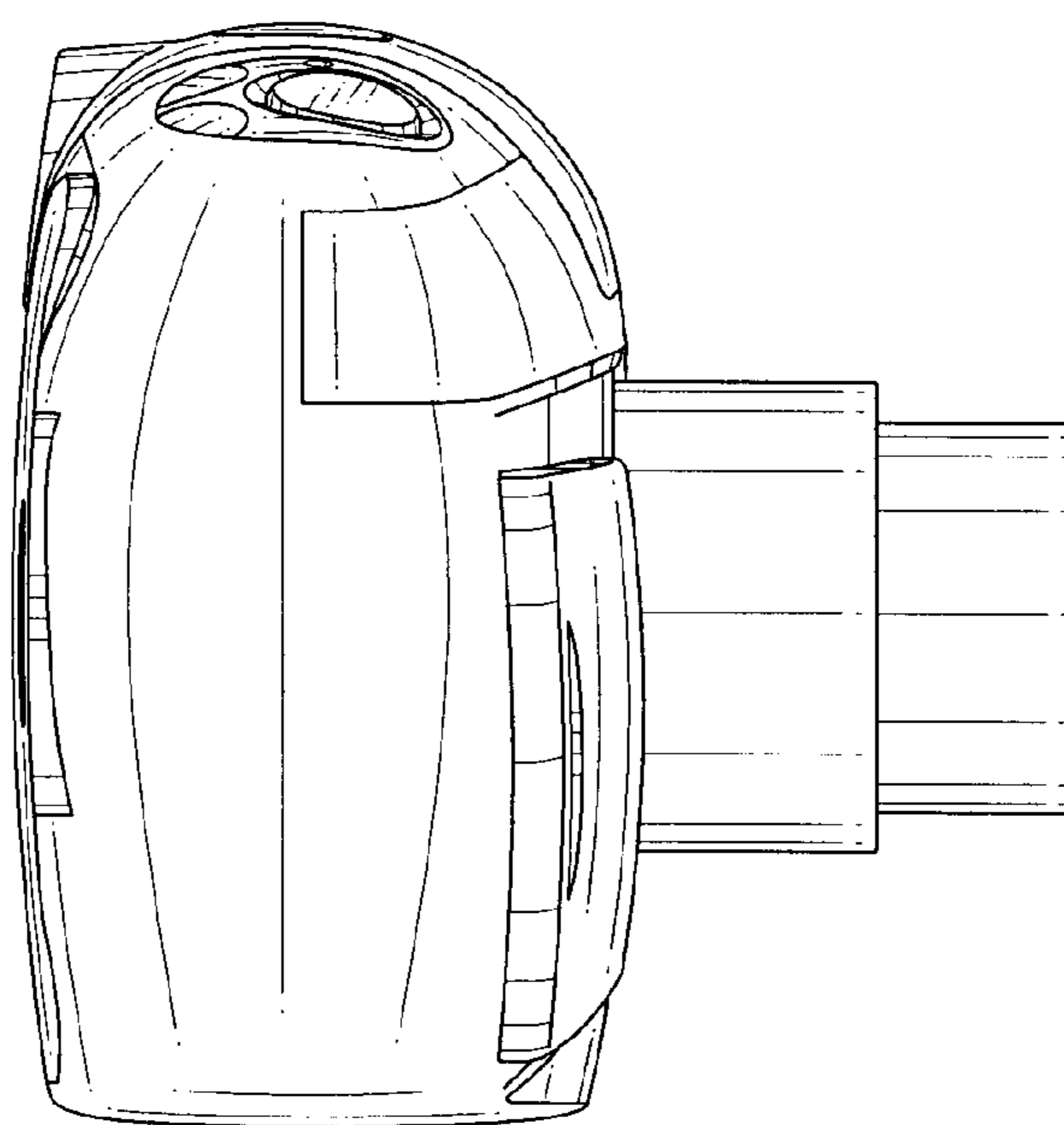


FIG.7

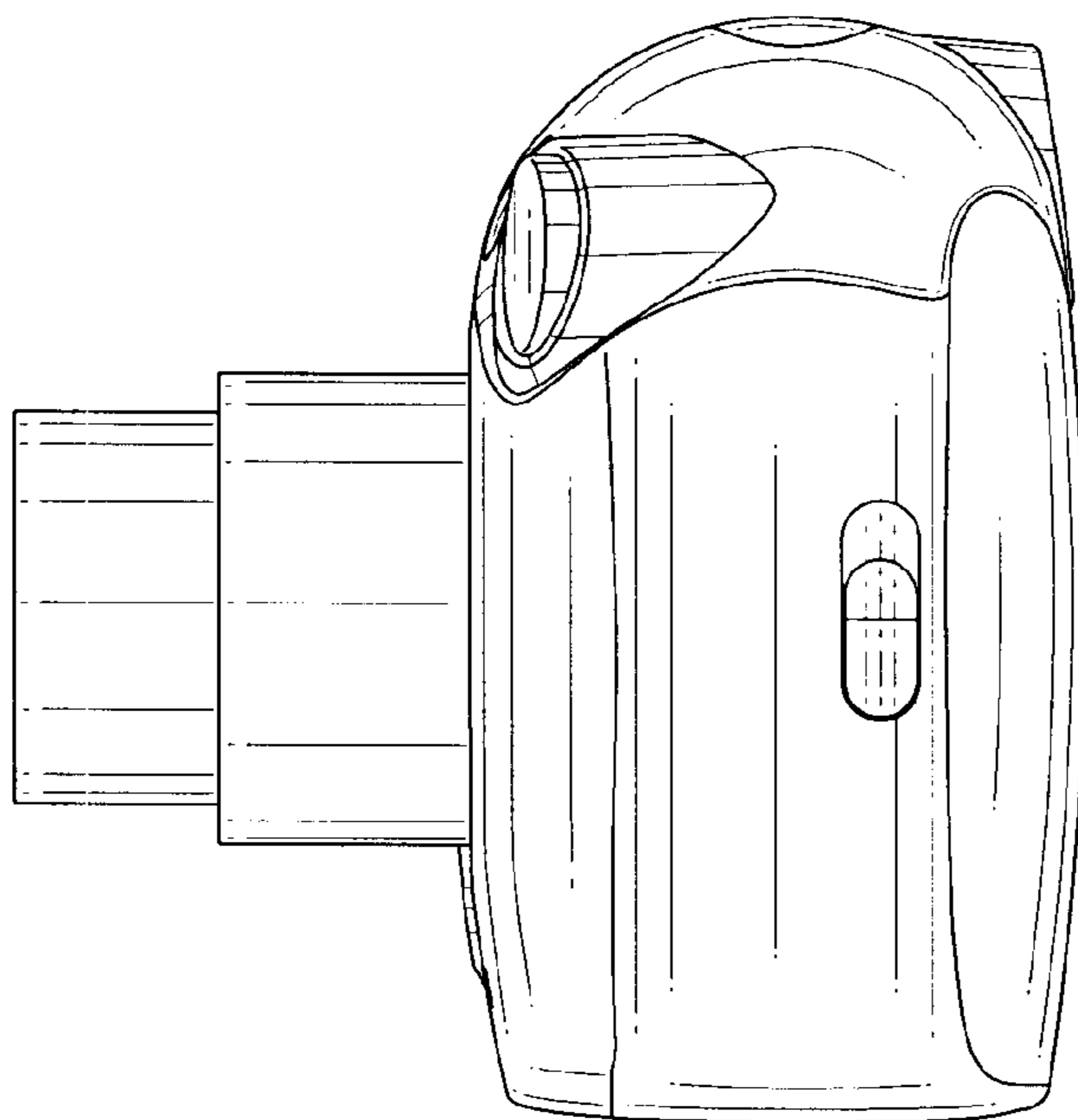


FIG.8

