



US00D530354S

(12) **United States Design Patent**
Tanifuji et al.

(10) **Patent No.:** **US D530,354 S**

(45) **Date of Patent:** **** Oct. 17, 2006**

(54) **CAMCORDER**

(75) Inventors: **Shuji Tanifuji**, Yokohama (JP);
Akihiko Miyamori, Yokohama (JP)

(73) Assignee: **Victor Company of Japan, Limited**,
Yokohama (JP)

(**) Term: **14 Years**

(21) Appl. No.: **29/226,575**

(22) Filed: **Mar. 31, 2005**

(30) **Foreign Application Priority Data**

Oct. 4, 2004 (JP) 2004-030066

(51) **LOC (8) Cl.** **16-01**

(52) **U.S. Cl.** **D16/202**

(58) **Field of Classification Search** D16/200–206,
D16/208, 209, 211, 218; 348/373–376; 358/906;
396/177, 178, 535–541

See application file for complete search history.

(56) **References Cited**

U.S. PATENT DOCUMENTS

- D306,037 S * 2/1990 Nakayama D16/209
- D322,618 S * 12/1991 Inoue D16/218
- D341,614 S * 11/1993 Okamoto D16/200
- D352,949 S * 11/1994 Kondo D16/202

- D445,816 S * 7/2001 Tanaka D16/203
- 6,510,286 B1 * 1/2003 Terada et al. 396/177
- D517,106 S * 3/2006 Onuma D16/202

* cited by examiner

Primary Examiner—Adir Aronovich

(74) *Attorney, Agent, or Firm*—Nath & Associates PLLC;
Gregory B. Kang; Derek Richmond

(57) **CLAIM**

The ornamental design for camcorder, as shown and described.

DESCRIPTION

FIG. 1 is a front perspective view of a camcorder;
 FIG. 2 is a rear perspective view thereof;
 FIG. 3 is a front view thereof;
 FIG. 4 is a rear view thereof;
 FIG. 5 is a top plan view thereof;
 FIG. 6 is a bottom view thereof;
 FIG. 7 is a right side view thereof;
 FIG. 8 is a left side view thereof;
 FIG. 9 is a front perspective view showing the camcorder with its flash raised;
 FIG. 10 is a rear perspective view showing the camcorder with its grip portion rotated; and,
 FIG. 11 is a front perspective view showing the camcorder with its grip portion rotated.

1 Claim, 6 Drawing Sheets

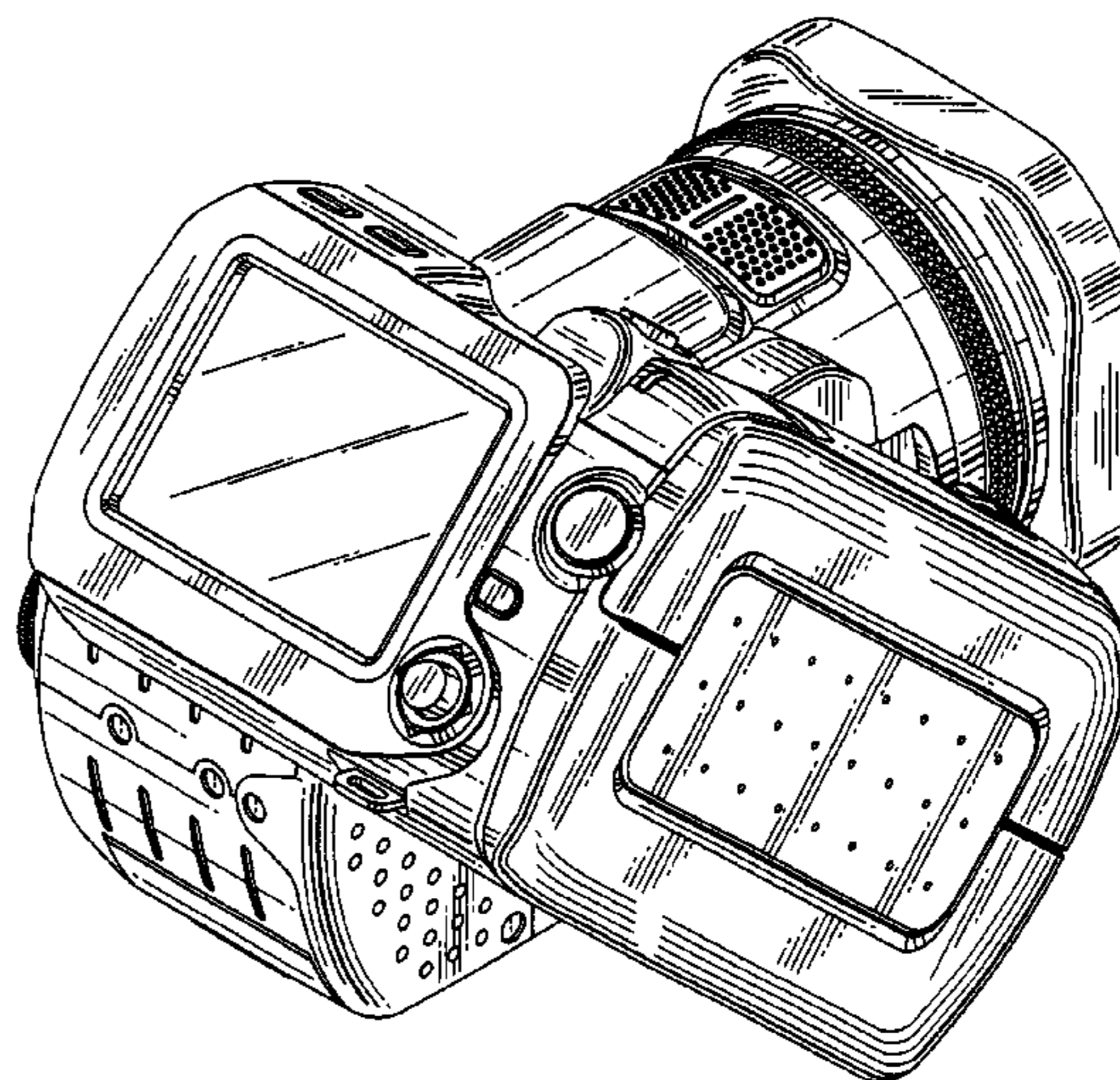
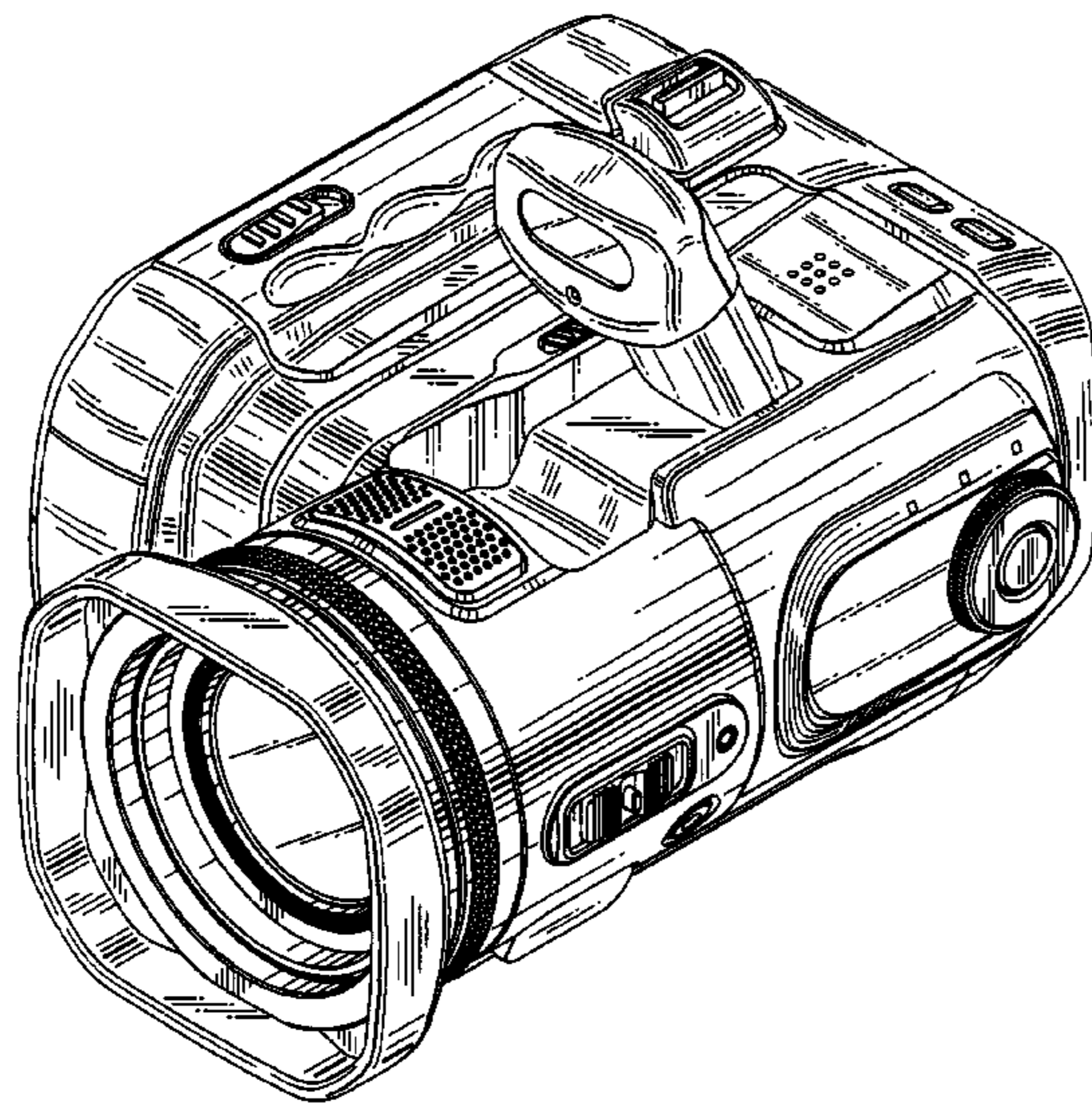


Fig.1

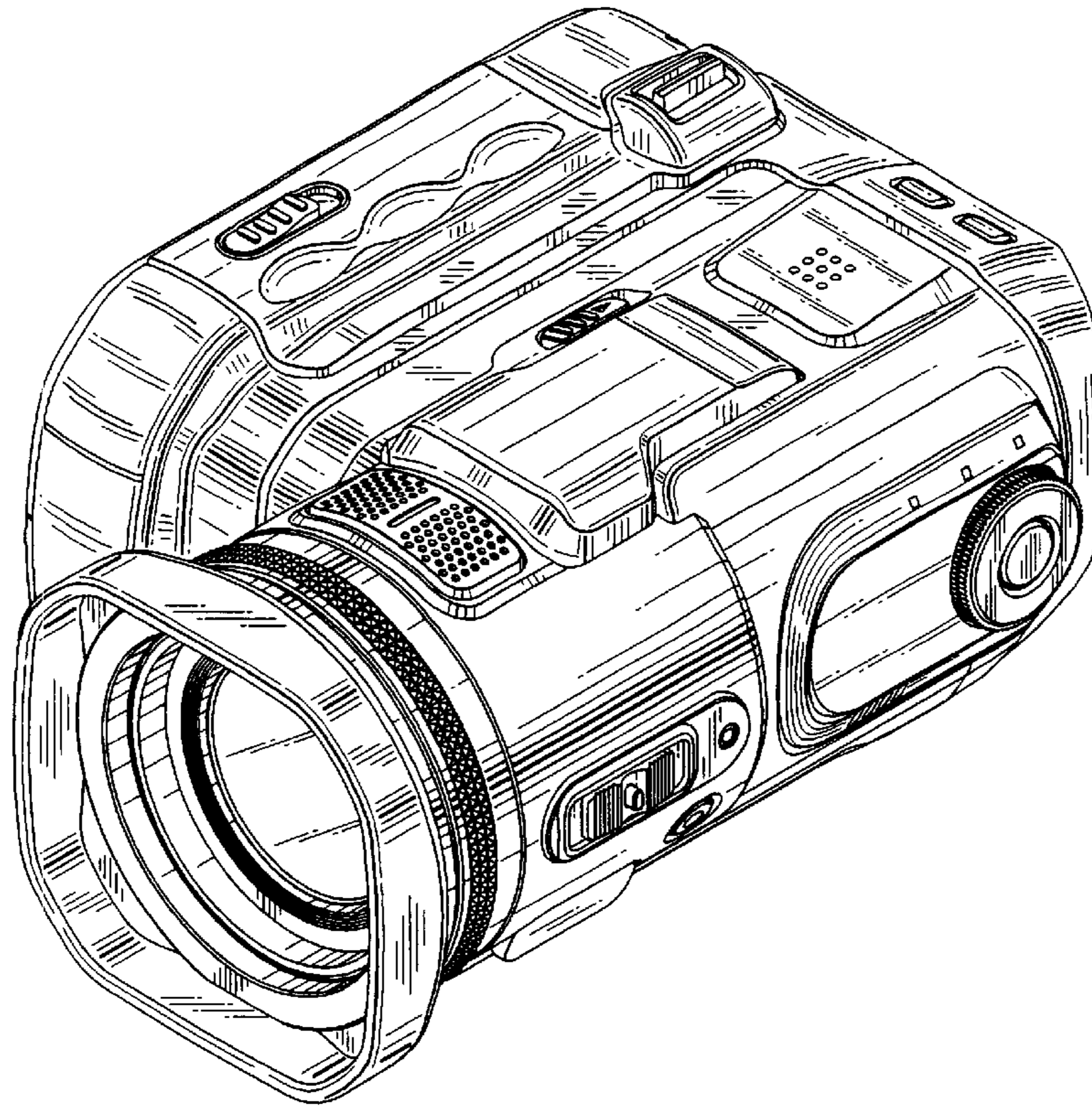


Fig.2

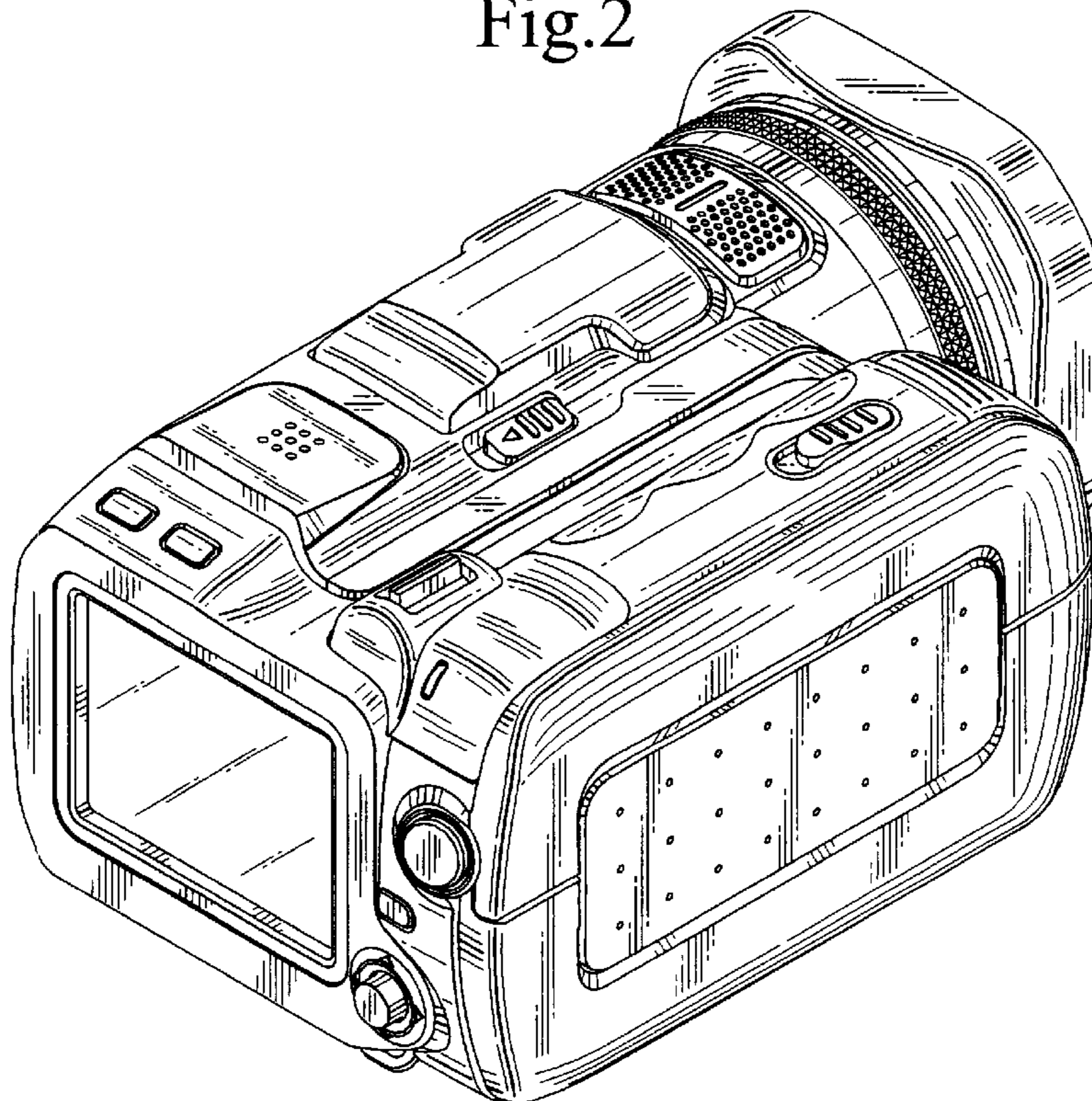


Fig.3

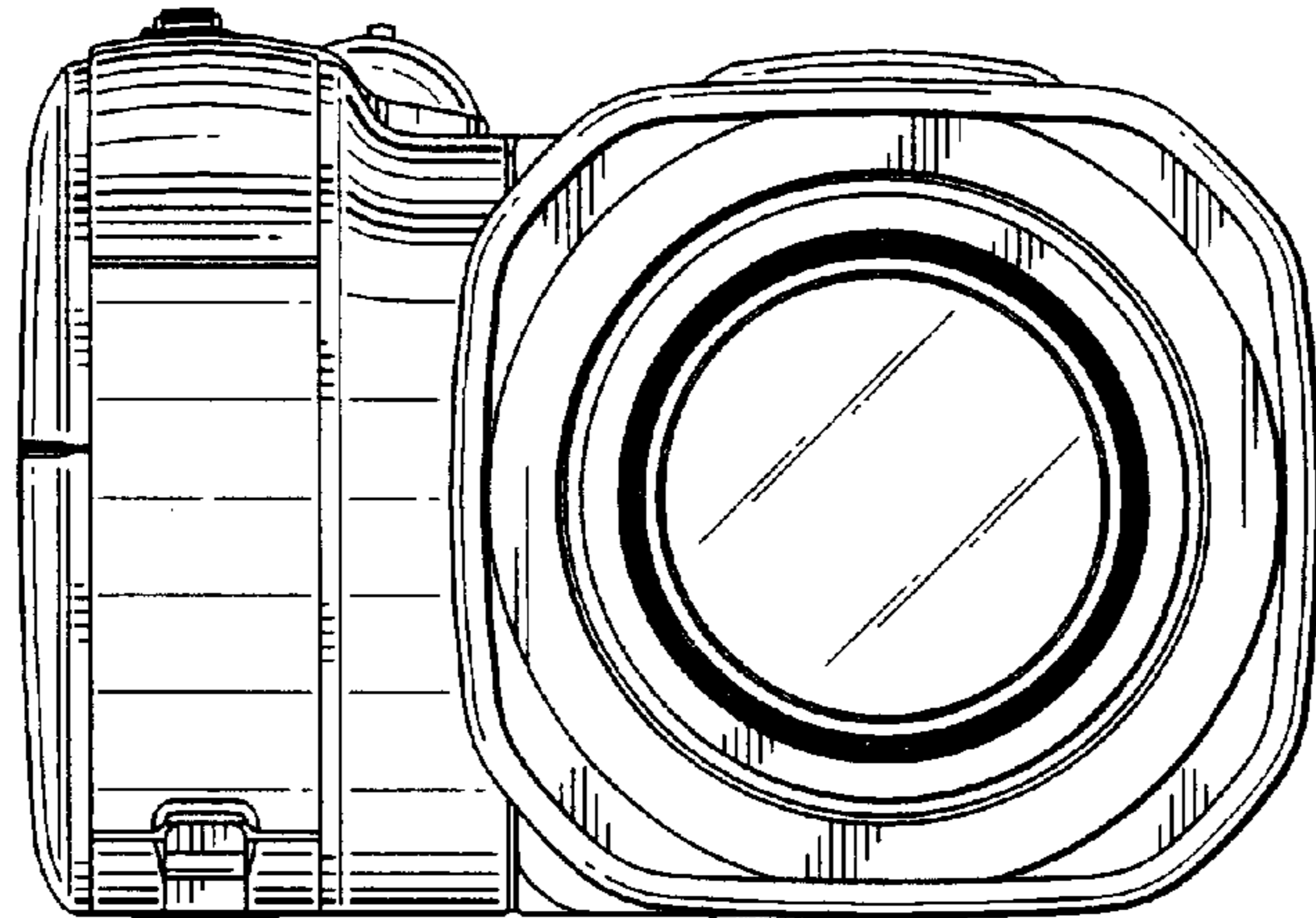


Fig.4

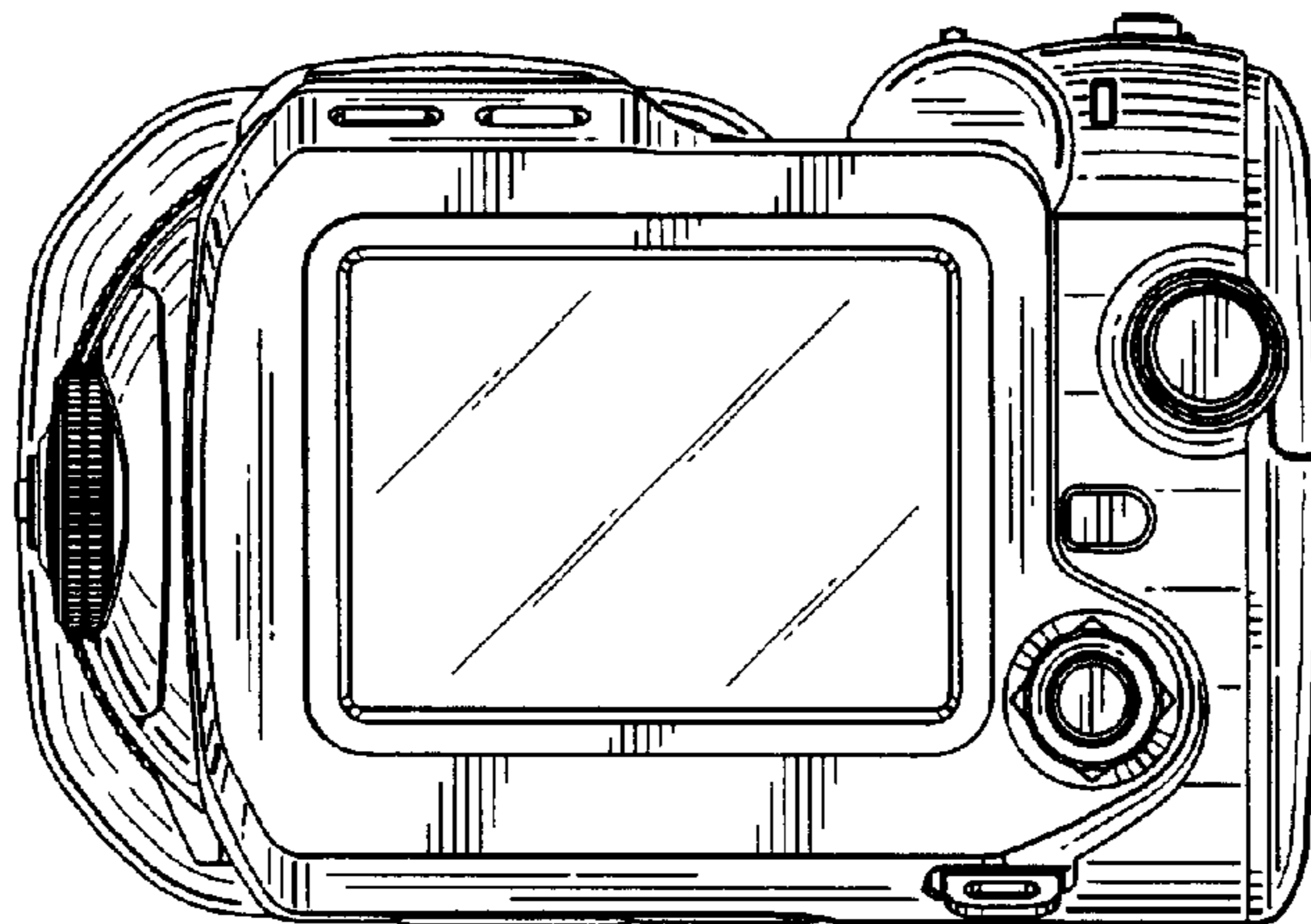


Fig.5

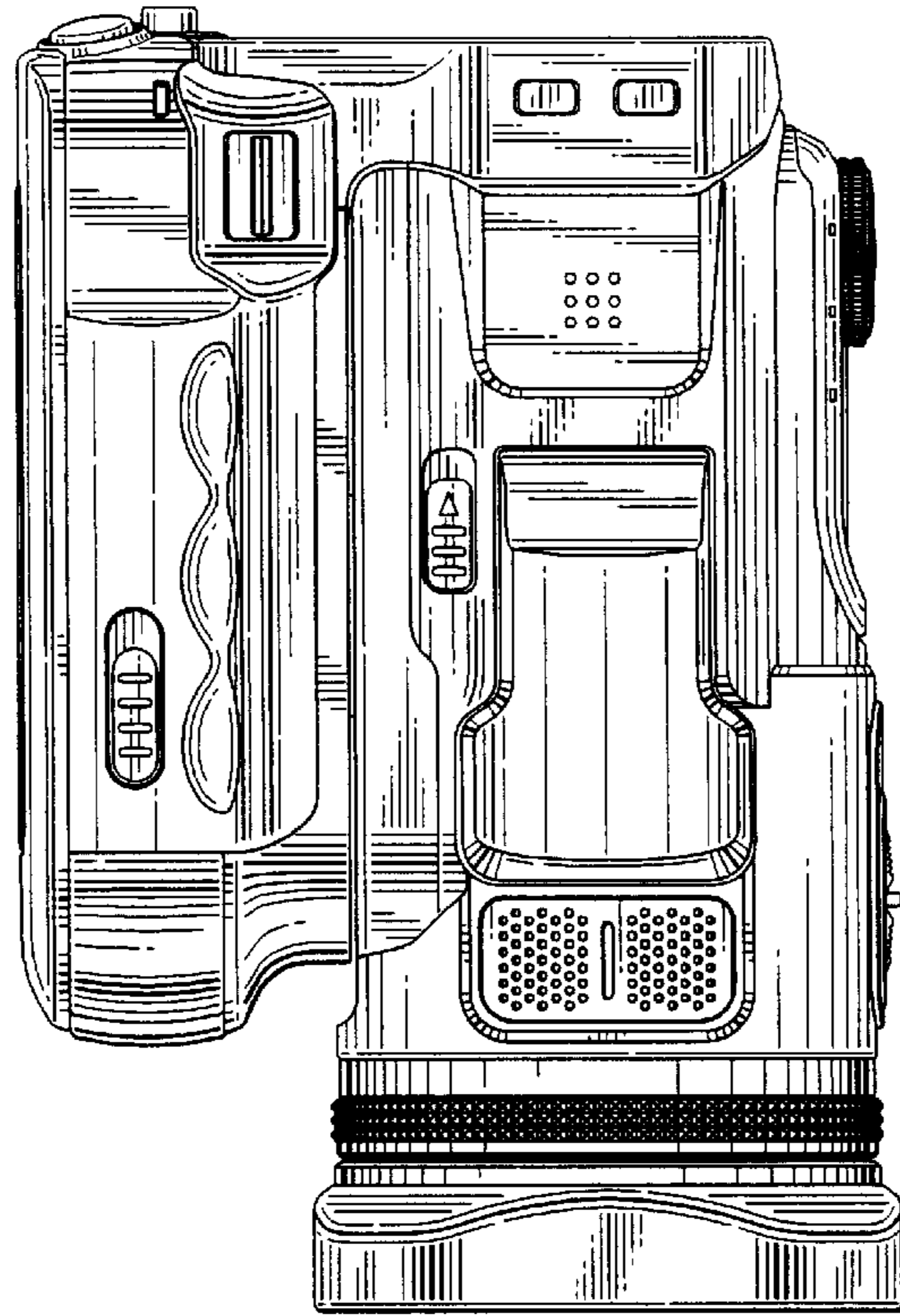


Fig.6

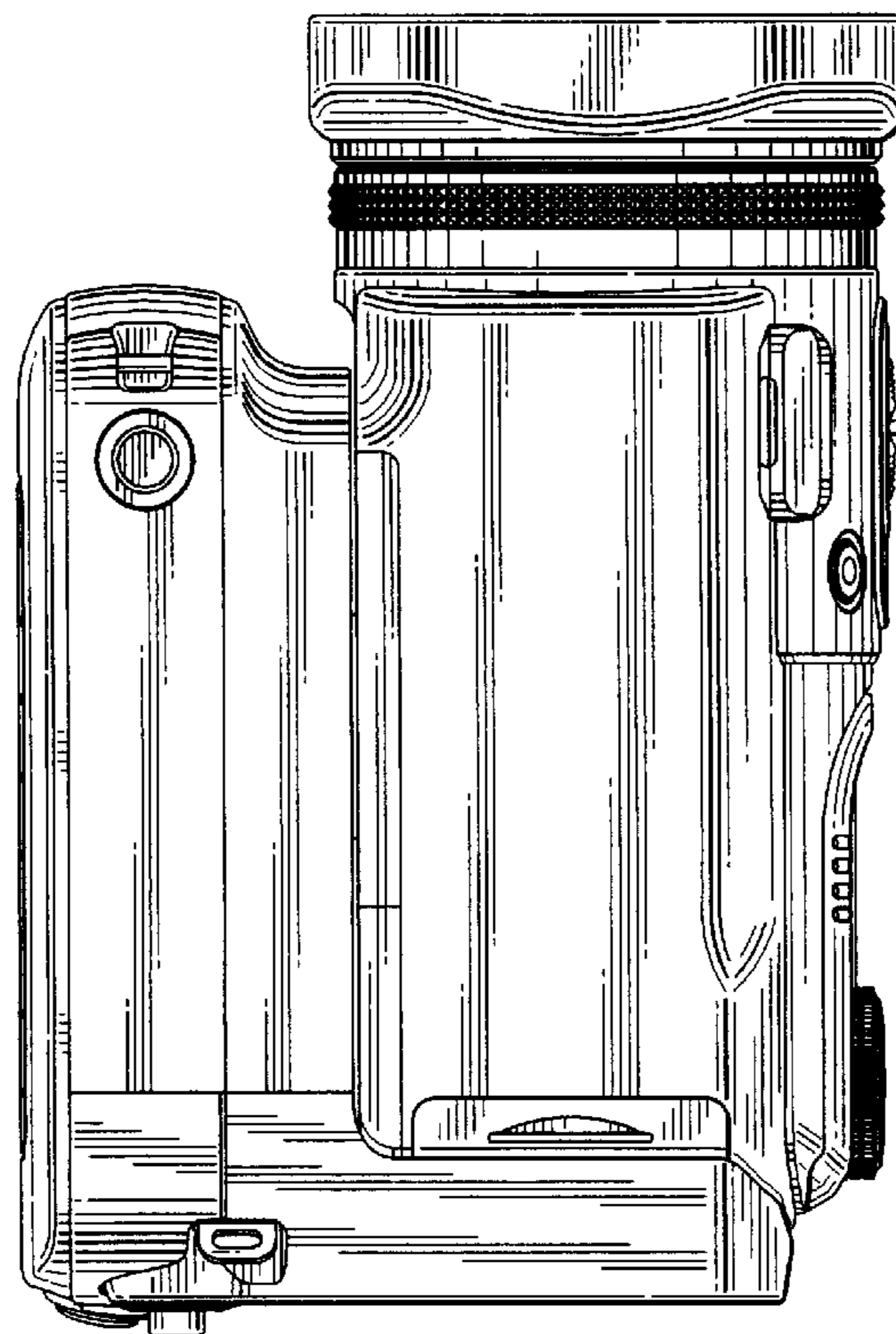


Fig.7

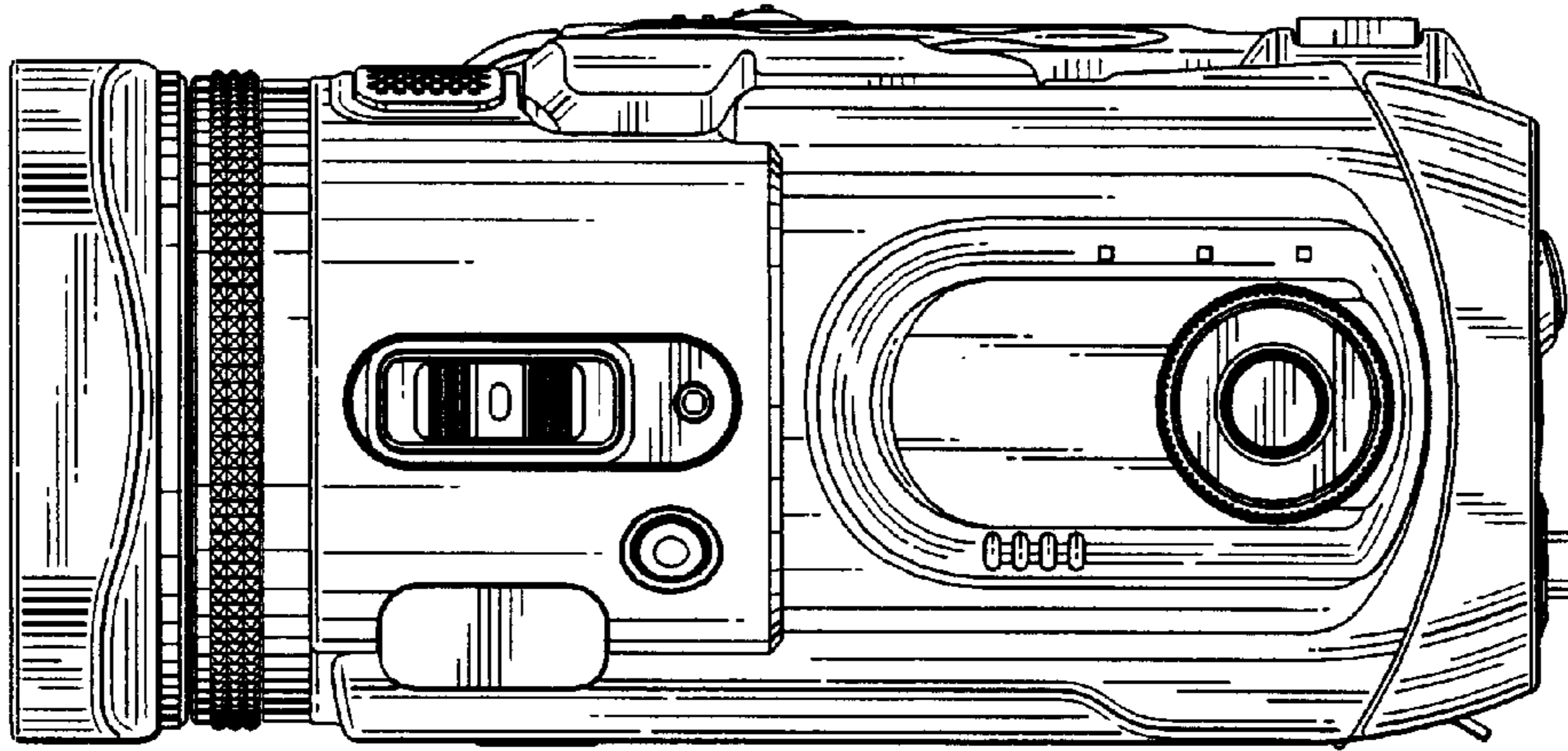


Fig.8

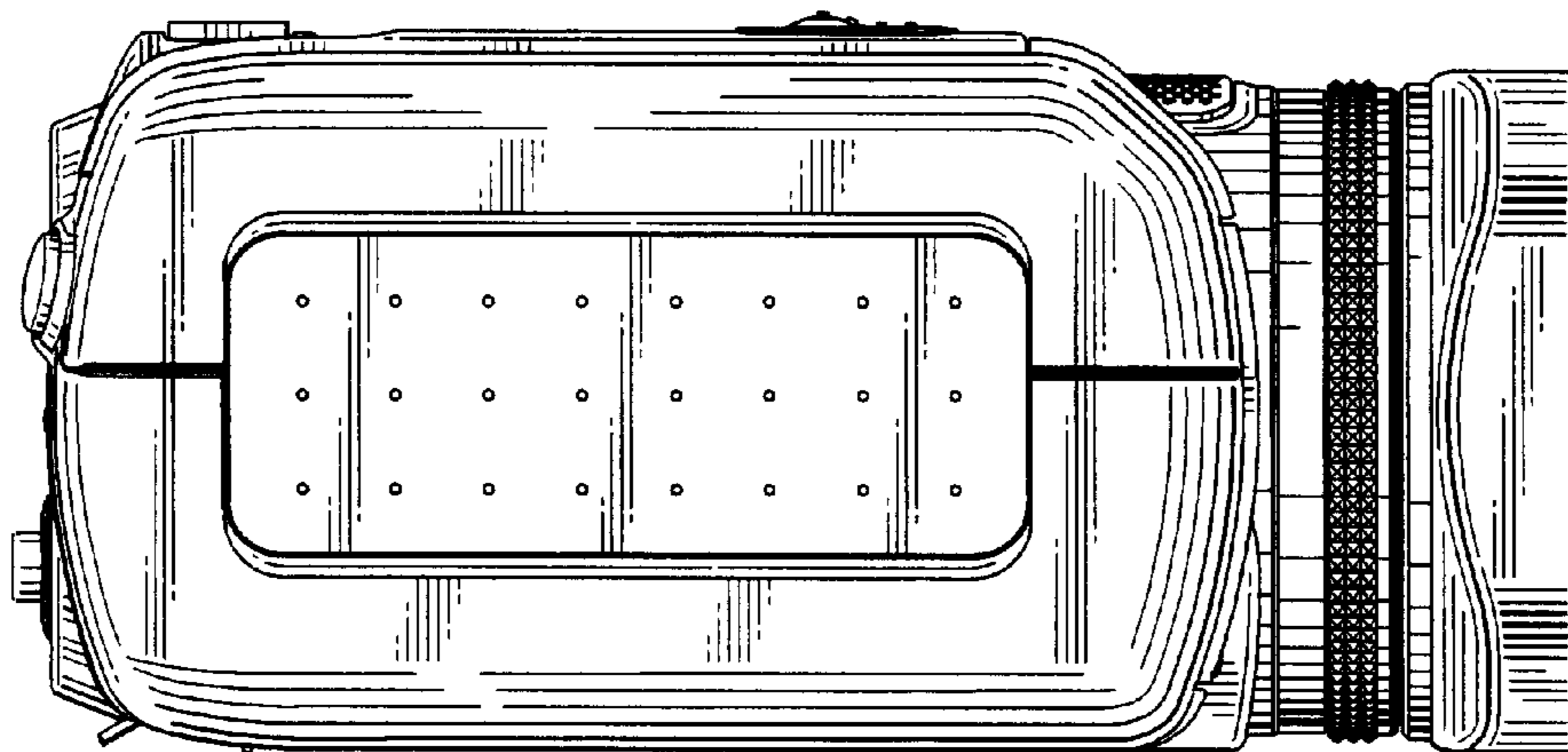


Fig.9

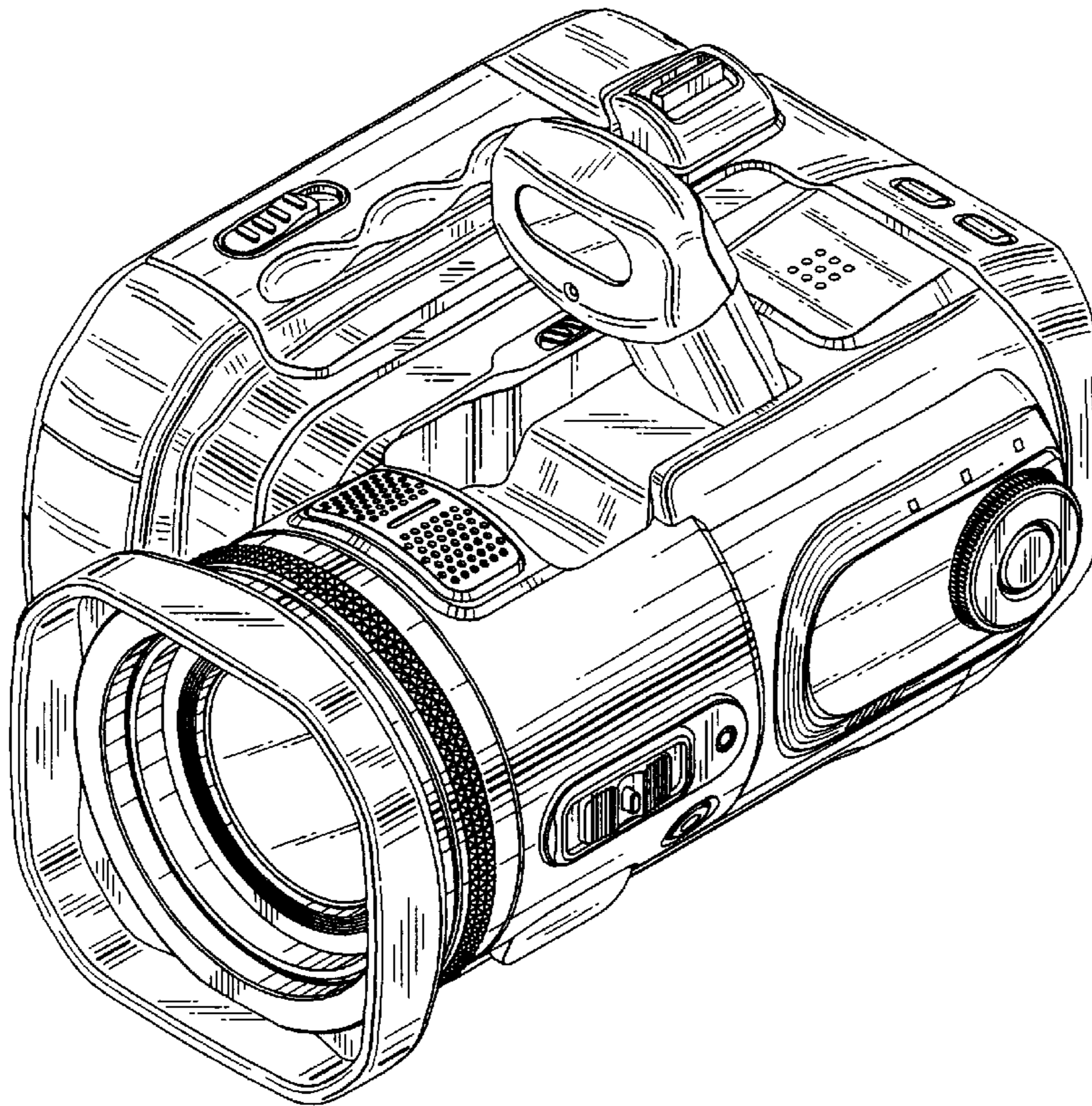


Fig.10

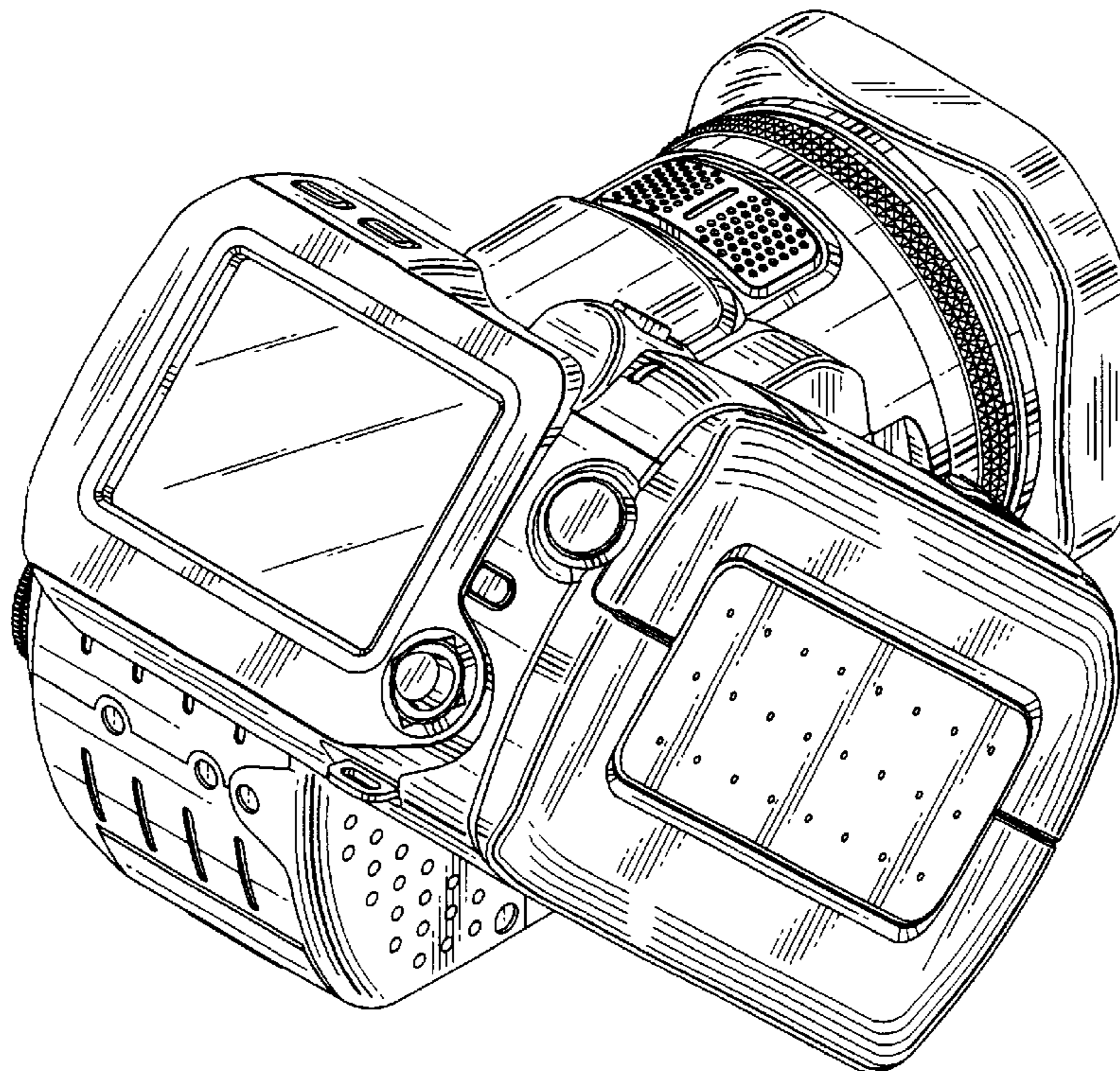


Fig.11

