



US00D530352S

(12) **United States Design Patent**
Iwasaka et al.

(10) **Patent No.:** **US D530,352 S**
(45) **Date of Patent:** **** Oct. 17, 2006**

(54) **BERNOULLI EFFECT AIR NOZZLE FOR SILICONE WAFER PICKUP TOOL**

(75) Inventors: **Hitoshi Iwasaka**, Koufu (JP); **Hideyuki Tokunaga**, Minami-Alps (JP); **Koutaro Kobayashi**, Tsuru (JP)

(73) Assignee: **Harmotec Co., Ltd.**, Yamanashi-ken (JP)

(**) Term: **14 Years**

(21) Appl. No.: **29/224,186**

(22) Filed: **Feb. 25, 2005**

(51) **LOC (8) Cl.** **15-09**

(52) **U.S. Cl.** **D15/199**

(58) **Field of Classification Search** D15/199;
137/885; 118/500, 503, 728; 156/345.51;
204/192.12, 298.15; 269/21; 294/64.1, 64.3;
414/404, 810, 935-941

See application file for complete search history.

(56) **References Cited**

U.S. PATENT DOCUMENTS

3,633,619	A	*	1/1972	Eckerlin	137/885
4,604,020	A	*	8/1986	Toro Lira et al.	414/939
4,816,098	A	*	3/1989	Davis et al.	156/345.31
4,915,564	A	*	4/1990	Eror et al.	414/937
D342,957	S	*	1/1994	George	D15/199

5,372,612	A	*	12/1994	Cronin et al.	414/935
6,099,056	A		8/2000	Siniaguine et al.		
6,143,147	A	*	11/2000	Jelinek	118/500
6,402,843	B1		6/2002	Siniaguine et al.		
6,808,216	B1	*	10/2004	Hayes	294/64.1
2003/0178146	A1	*	9/2003	Kao	156/345.51

* cited by examiner

Primary Examiner—Antoine D. Davis

Assistant Examiner—Patricia Palasik

(74) *Attorney, Agent, or Firm*—John V. Stewart

(57) **CLAIM**

The ornamental design for a Bernoulli effect air nozzle for silicone wafer pickup tool, as shown and described.

DESCRIPTION

FIG. 1 is a perspective lower left front view of an air nozzle according to the invention;

FIG. 2 is a perspective upper right rear view thereof;

FIG. 3 is a perspective upper right front view thereof;

FIG. 4 is a left side view thereof;

FIG. 5 is a right side view thereof;

FIG. 6 is a front view thereof;

FIG. 7 is a back view thereof;

FIG. 8 is a sectional view taken along line 8—8 in FIG. 4; and,

FIG. 9 is a sectional view taken along line 9—9 in FIG. 7.

1 Claim, 2 Drawing Sheets

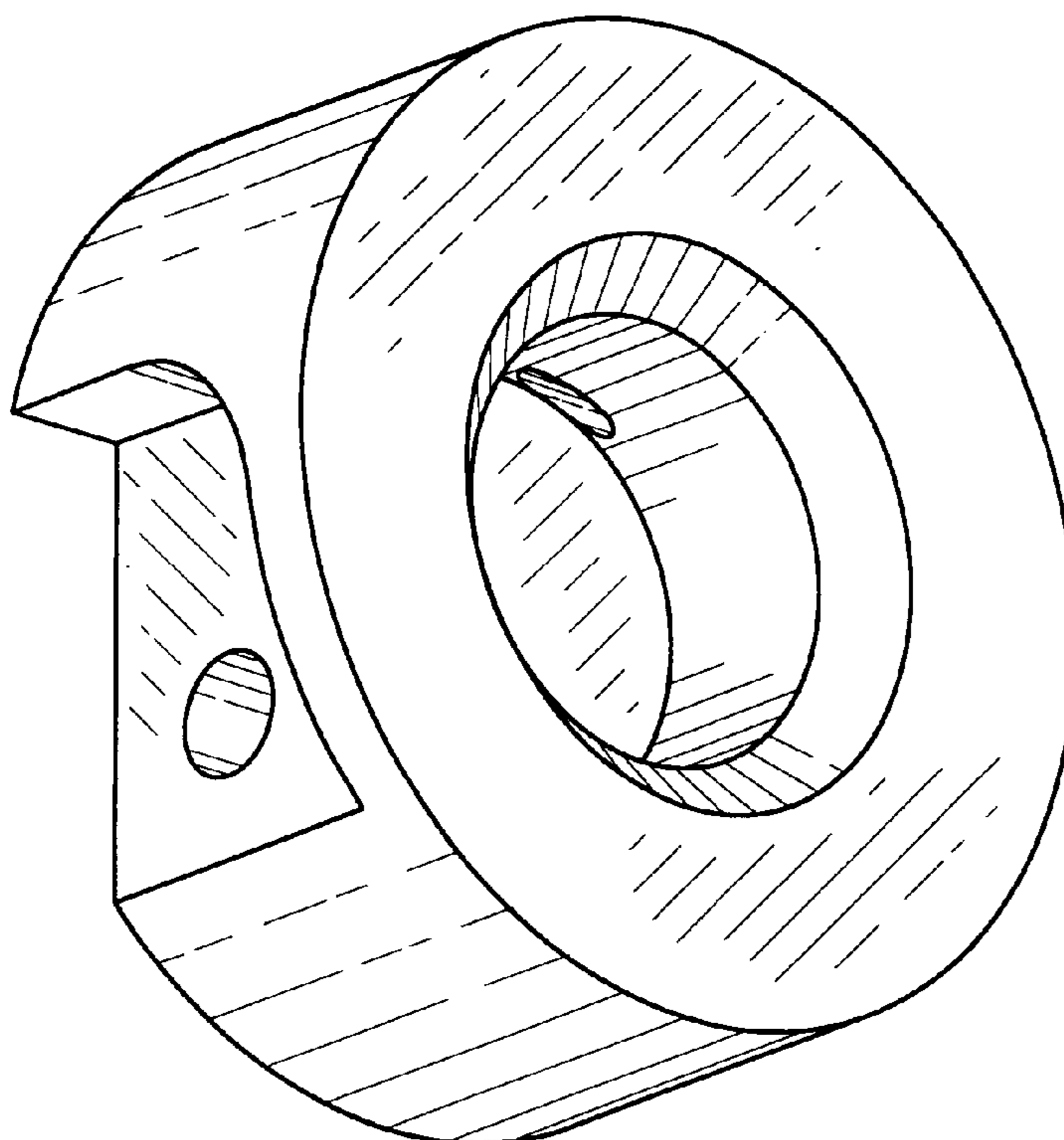


FIG 1

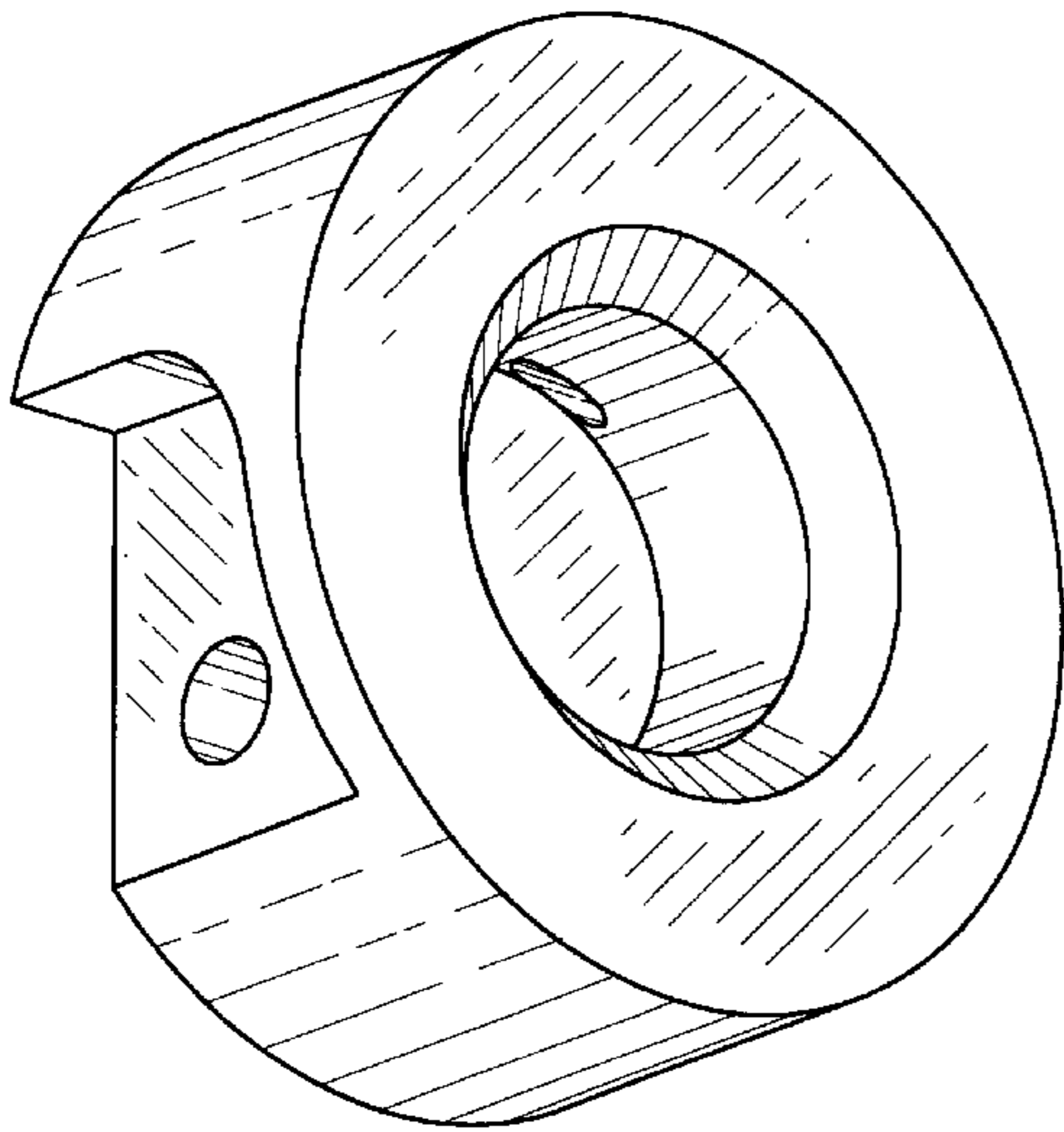


FIG 2

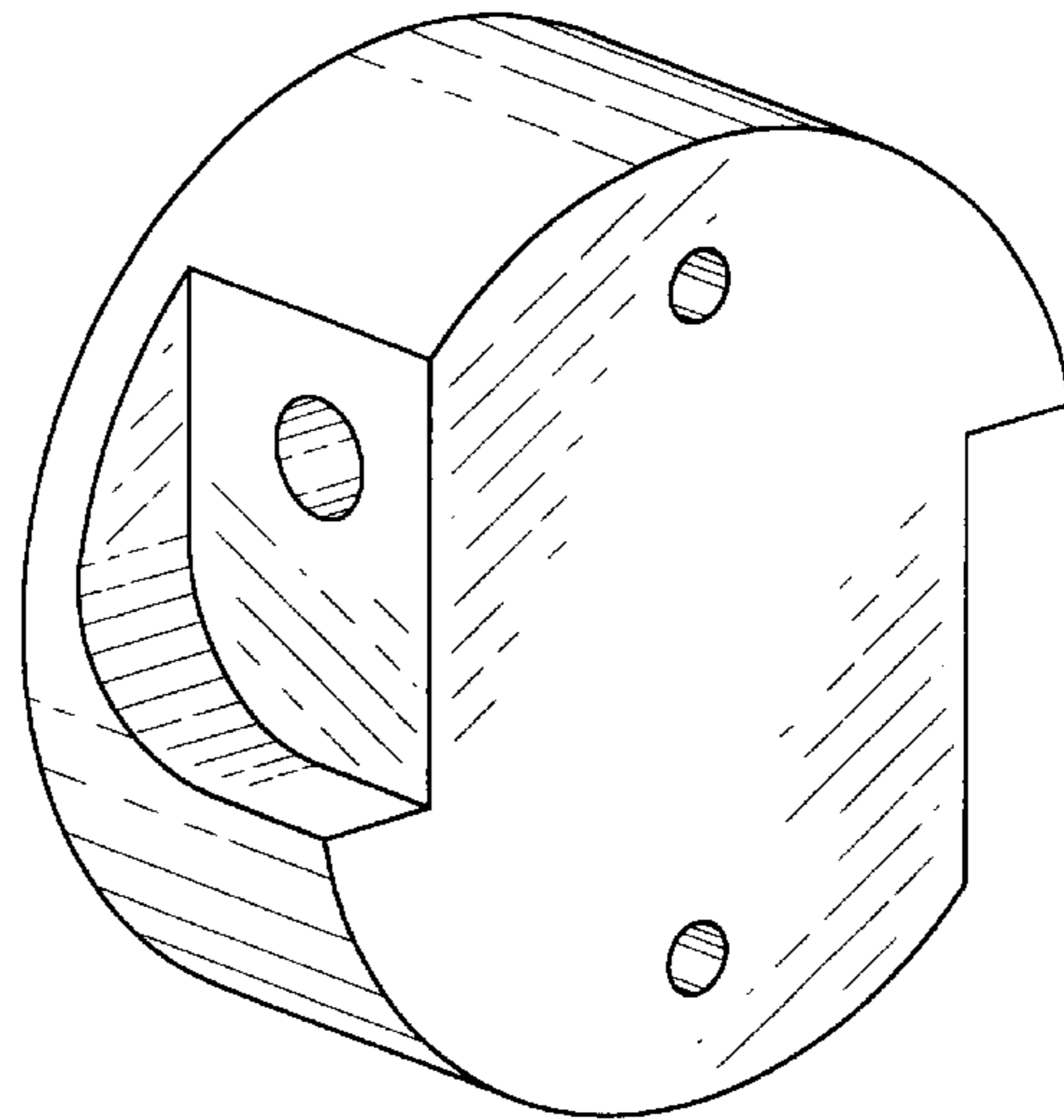


FIG 3

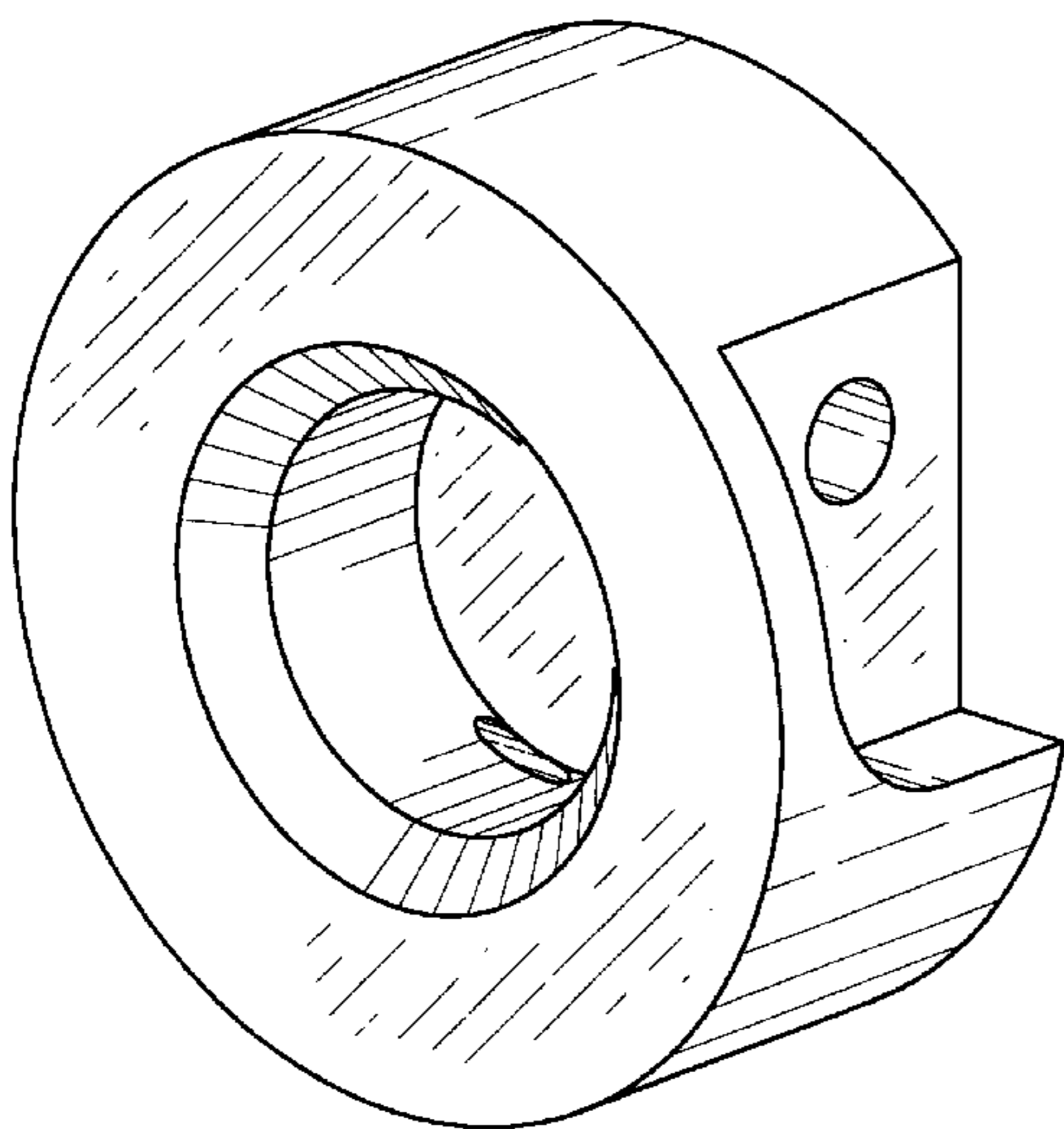


FIG 4

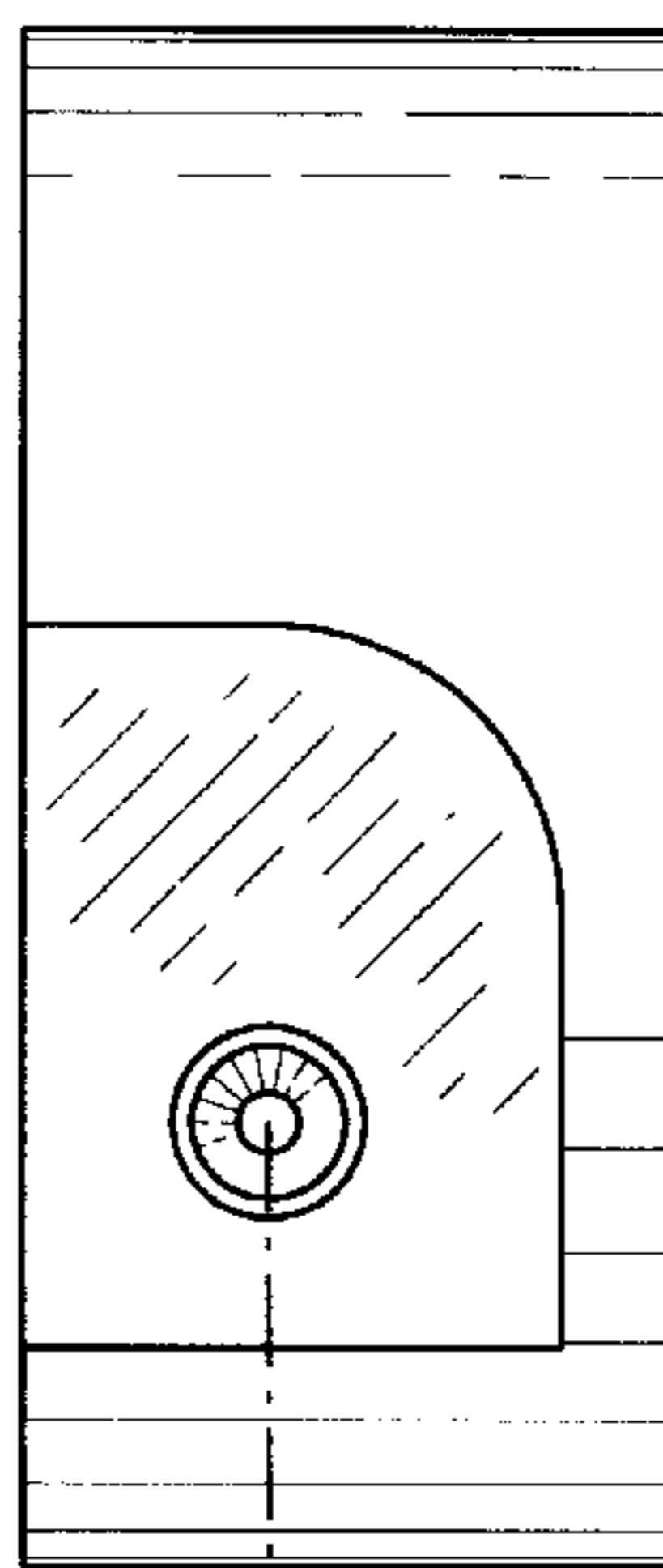
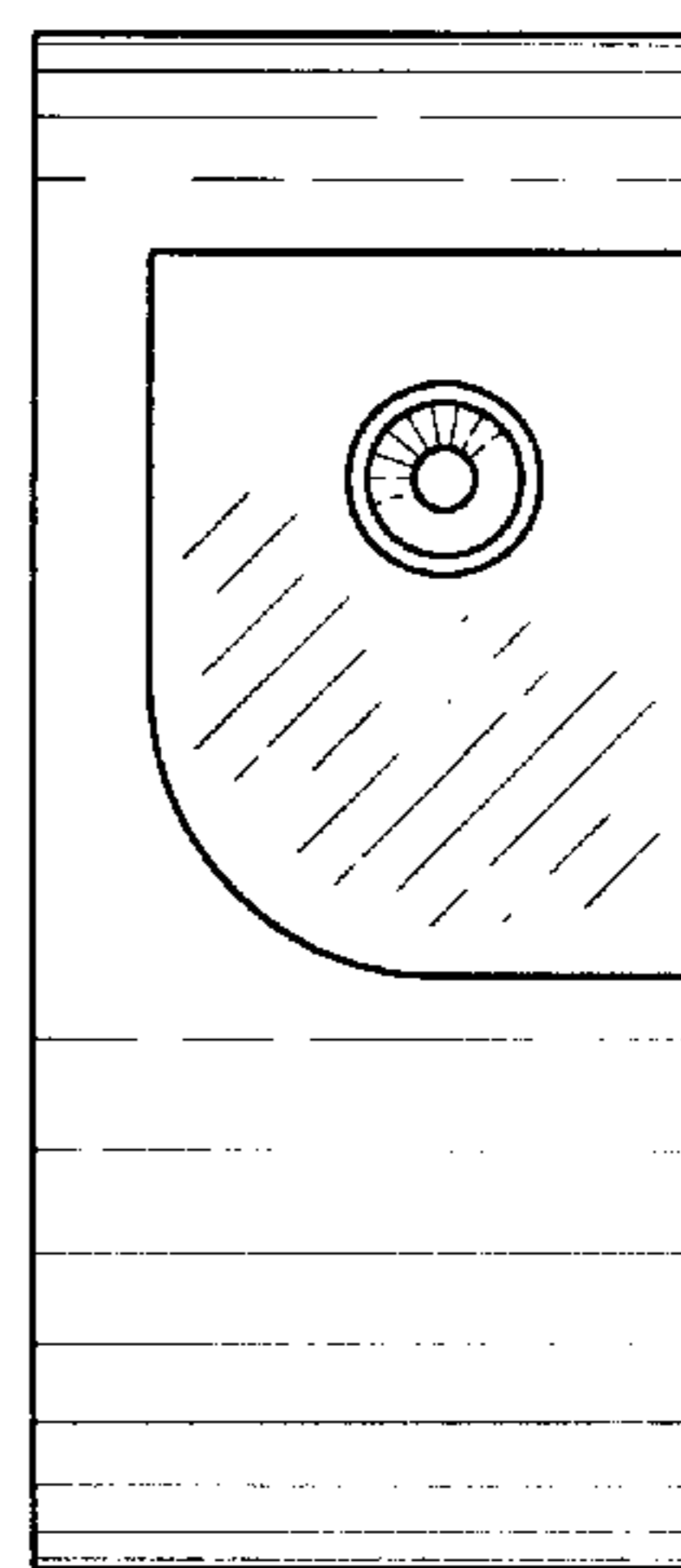


FIG 5



8

FIG 6

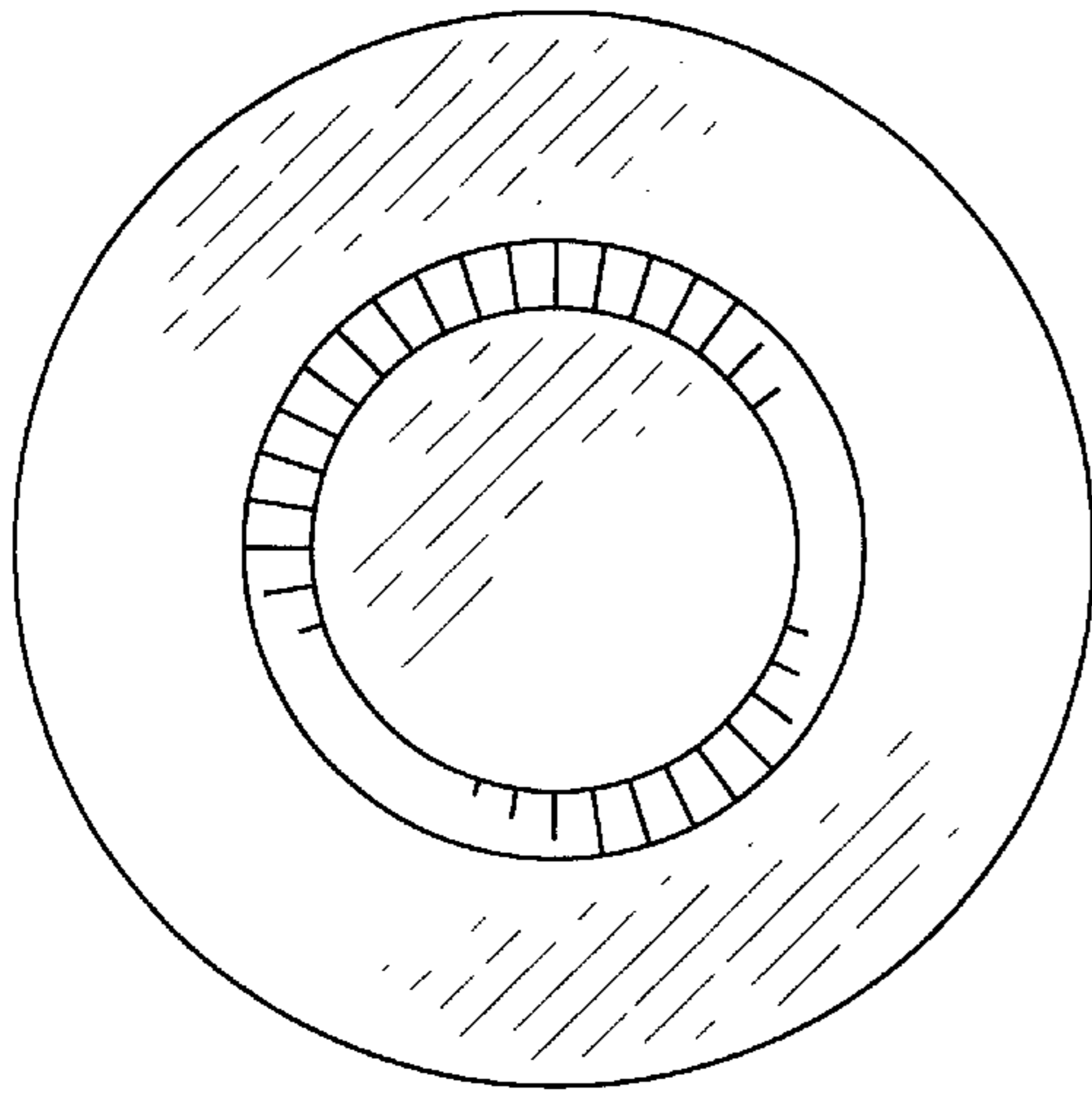


FIG 7

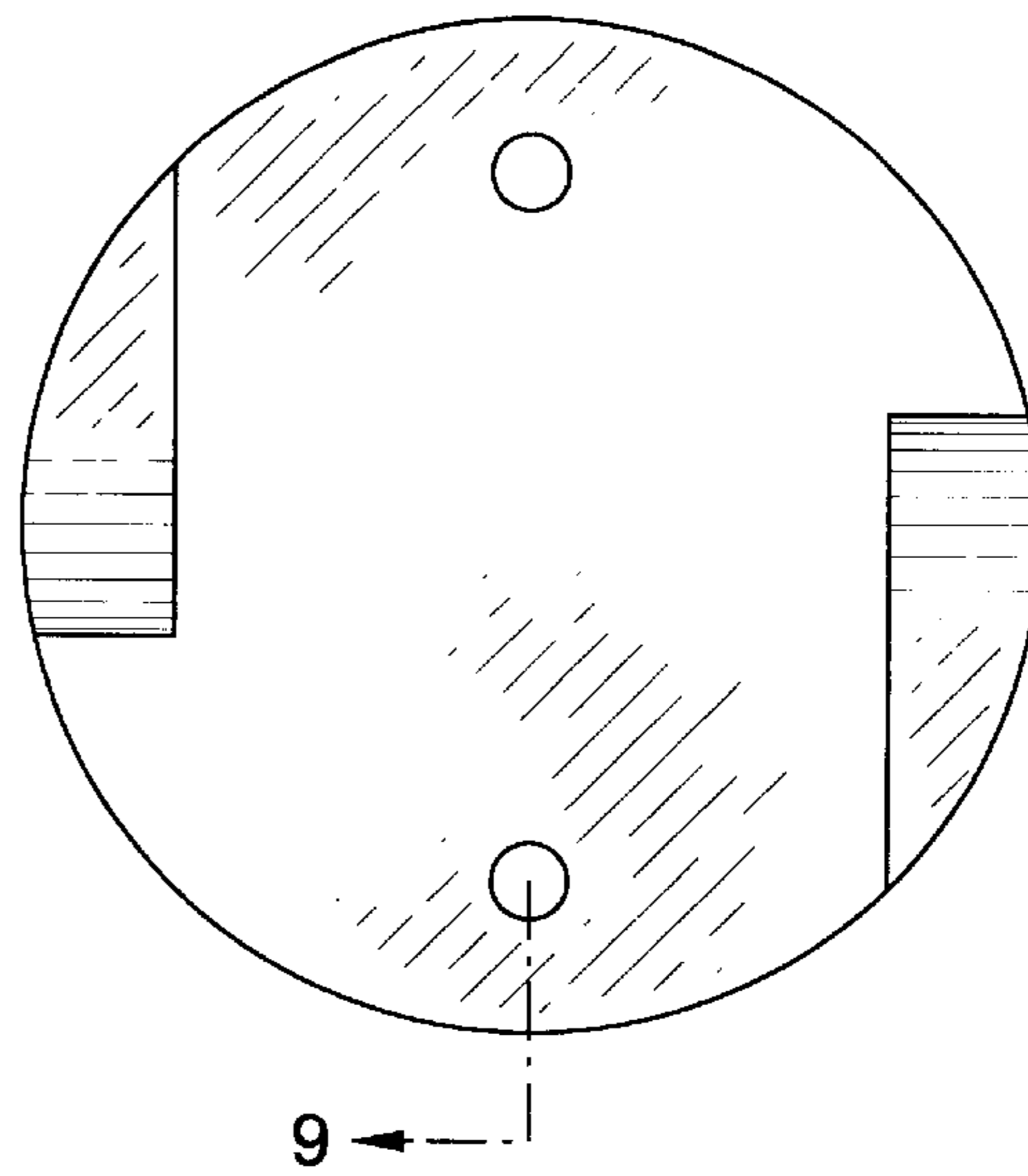


FIG 8

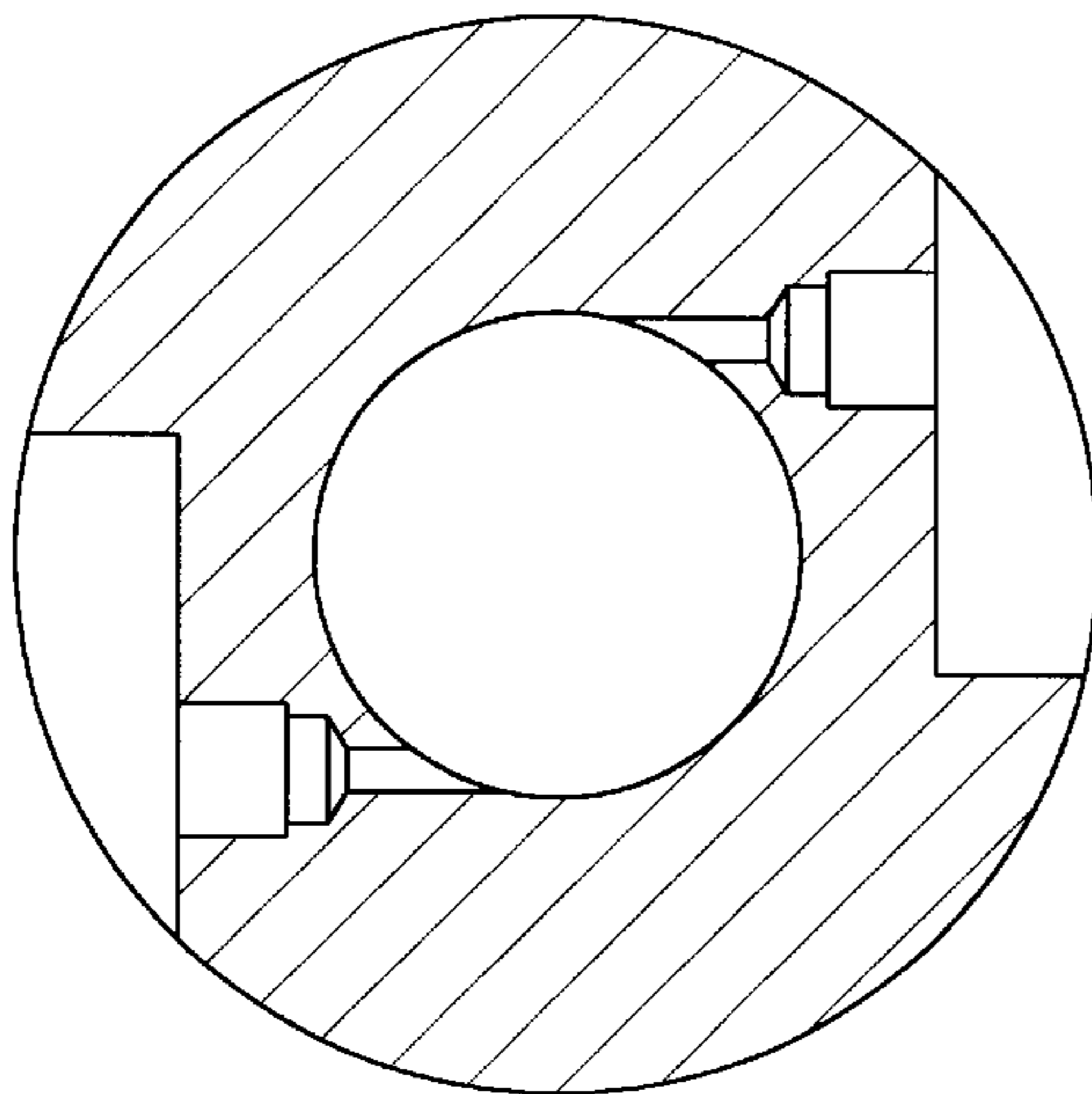


FIG 9

