



US00D530351S

(12) **United States Design Patent**
Porter et al.

(10) **Patent No.:** **US D530,351 S**
(45) **Date of Patent:** **** Oct. 17, 2006**

(54) **SEPARATOR COVER**

(75) Inventors: **Brian Porter**, Addison, IL (US);
Christopher Barmore, Chicago, IL
(US); **Martin Lucassen**, Round Lake,
IL (US)

(73) Assignee: **Safety-Kleen Systems, Inc.**, Plano, TX
(US)

(**) Term: **14 Years**

(21) Appl. No.: **29/227,145**

(22) Filed: **Apr. 7, 2005**

(51) **LOC (8) Cl.** **15-09**

(52) **U.S. Cl.** **D15/147**

(58) **Field of Classification Search** D15/147;
210/110, 122, 168, 258, 265, 294, 513, 622,
210/663, 693, 767, 241, 259, 799, 806
See application file for complete search history.

(56) **References Cited**

U.S. PATENT DOCUMENTS

1,107,391	A	8/1914	Welch	
3,856,682	A	* 12/1974	Summers	210/294
3,879,264	A	* 4/1975	Seelbach	210/168
4,123,365	A	* 10/1978	Middelbeek	210/521
4,154,683	A	* 5/1979	Timmer et al.	210/238
4,326,953	A	* 4/1982	Gibby et al.	210/168
4,406,789	A	* 9/1983	Brignon	210/519
4,610,785	A	9/1986	Russell	
4,758,338	A	* 7/1988	Johnson, Sr.	210/168
5,030,342	A	7/1991	Ortega	
5,143,605	A	9/1992	Masciarelli	
5,399,203	A	* 3/1995	Ishikawa et al.	134/10
5,445,730	A	8/1995	Pattee	

5,849,100	A	* 12/1998	Bowden	134/10
6,042,721	A	3/2000	Peters, Jr. et al.	
6,110,383	A	8/2000	Coombs et al.	
6,146,530	A	11/2000	Vollmer	
6,180,004	B1	1/2001	Drewery	
6,183,654	B1	2/2001	Terrien et al.	
6,238,577	B1	5/2001	MacLaren	
6,277,287	B1	8/2001	Terrien et al.	
6,287,455	B1	* 9/2001	Whitmore	210/168
6,358,409	B1	* 3/2002	Jacoby, Jr. et al.	210/168
6,485,652	B1	11/2002	Le Poder et al.	
6,488,841	B1	12/2002	Glasgow	
2002/0182426	A1	12/2002	Bealer, Jr.	
2003/0075515	A1	4/2003	Maki	
2003/0178377	A1	9/2003	Larson	

* cited by examiner

Primary Examiner—Antoine D. Davis

Assistant Examiner—Patricia Palasik

(74) *Attorney, Agent, or Firm*—Vedder Price Kaufman & Kammholz

(57) **CLAIM**

The ornamental design for a separator cover, as shown and described.

DESCRIPTION

FIG. 1 is a perspective view of a separator cover;
FIG. 2 is a front elevation view;
FIG. 3 is a side elevation view, the opposite side being a mirror image thereof;
FIG. 4 is a back elevation view; and,
FIG. 5 is a top plan view.
The broken line showing is for illustrative purposes only and forms no part of the claimed design.

1 Claim, 3 Drawing Sheets

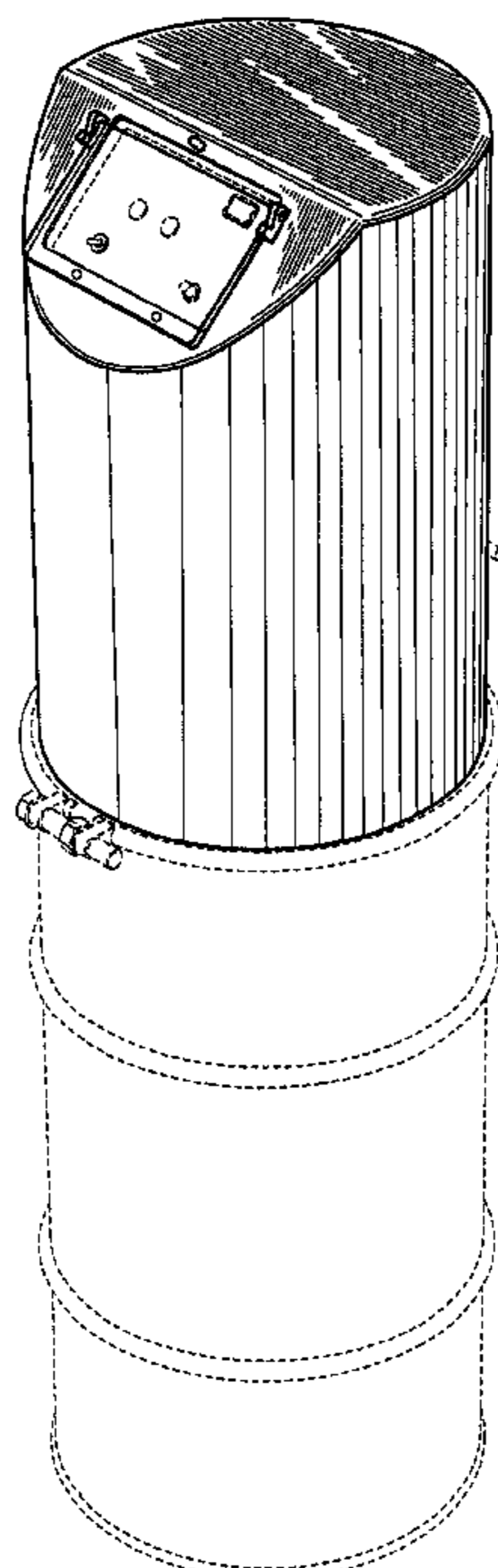


FIG. 1

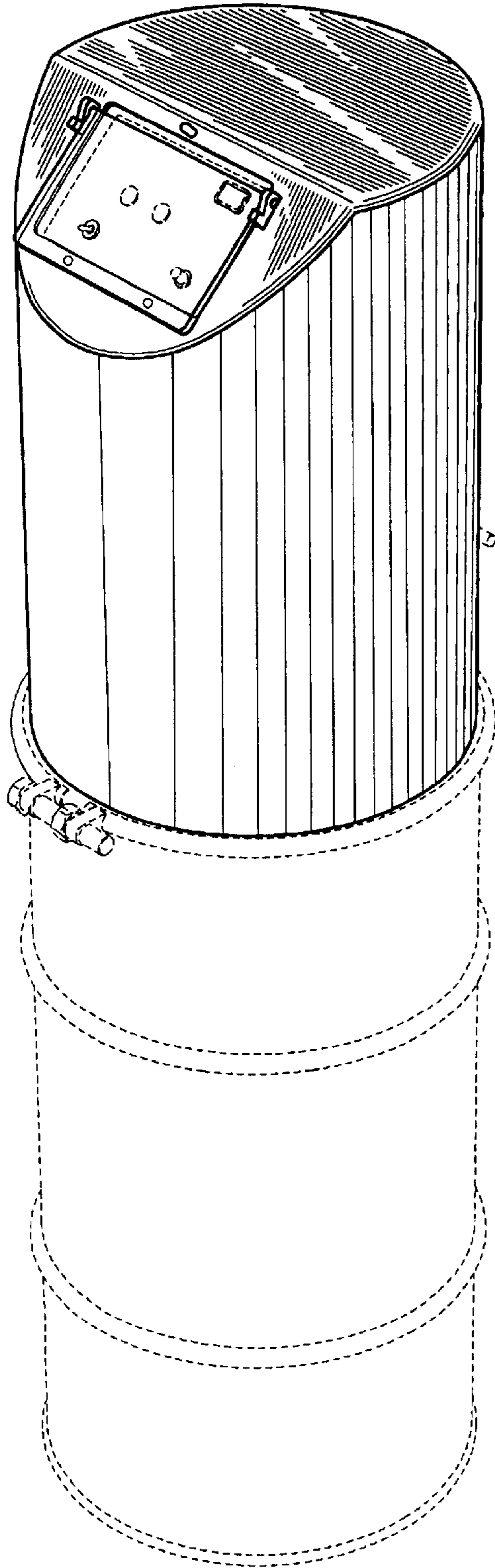


FIG. 2

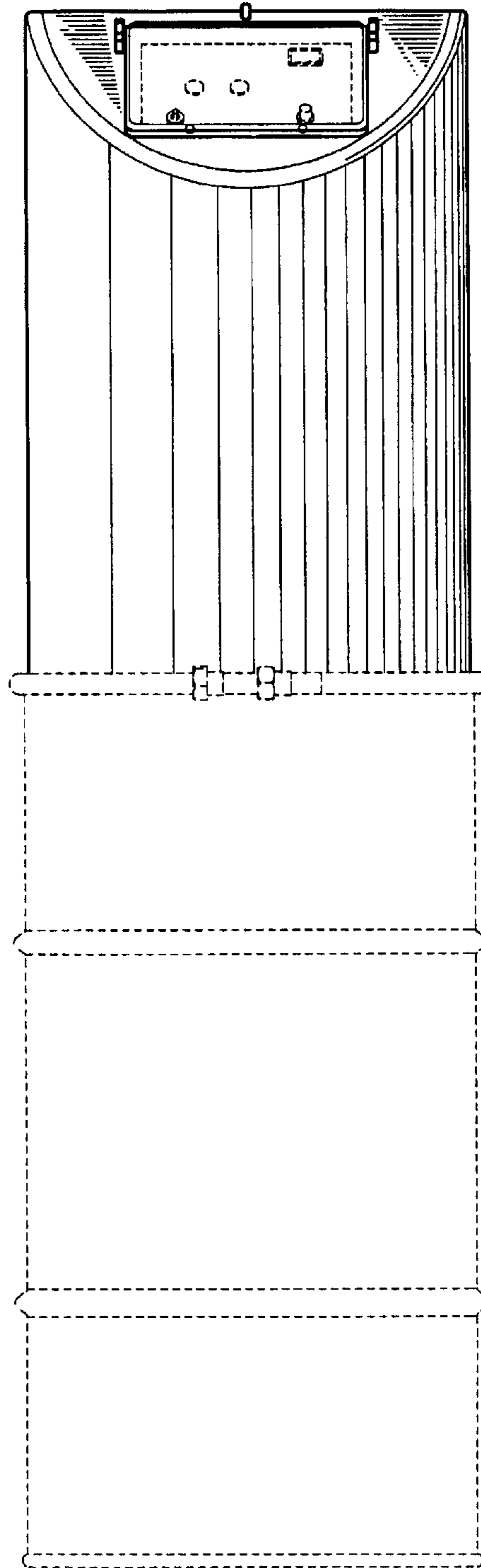


FIG. 3

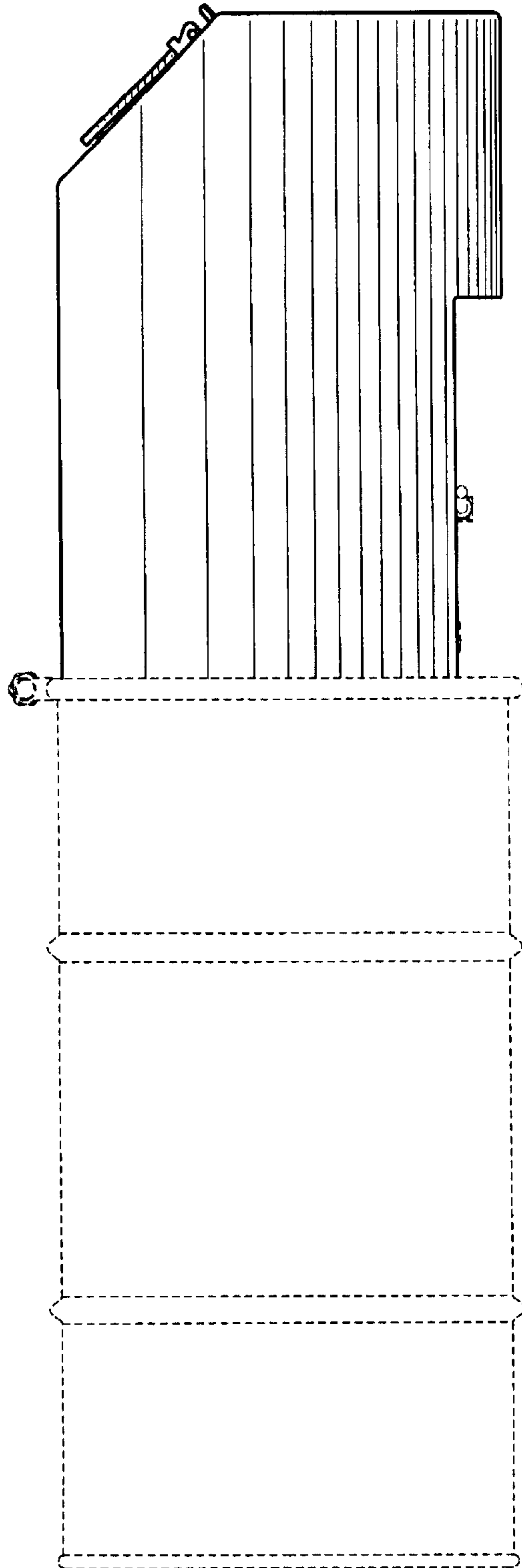


FIG. 4

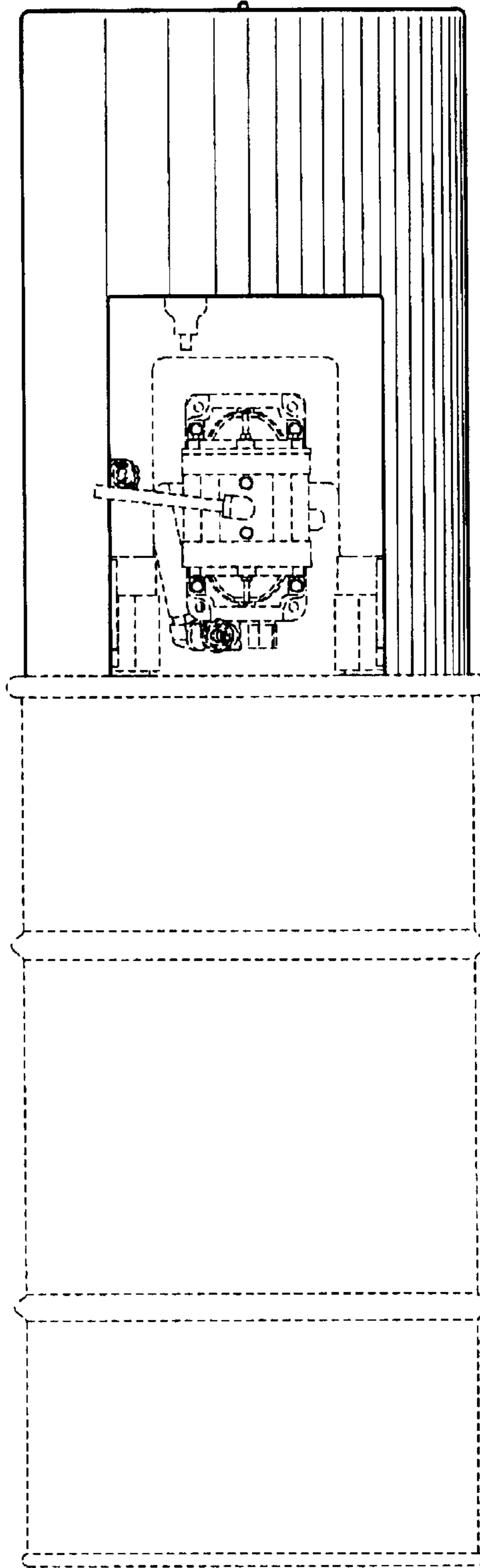


FIG. 5

