



US00D530350S

(12) **United States Design Patent**
Griggs et al.

(10) **Patent No.:** **US D530,350 S**
(45) **Date of Patent:** **** Oct. 17, 2006**

(54) **NETTING PRODUCT CHUTE FOR
AUTOMATIC AND/OR MANUAL
PACKAGING OPERATIONS**

(75) Inventors: **Samuel D. Griggs**, Raleigh, NC (US);
Dennis J. May, Pittsboro, NC (US)

(73) Assignee: **Delaware Capital Formation, Inc.**,
Wilmington, DE (US)

(**) Term: **14 Years**

(21) Appl. No.: **29/195,607**

(22) Filed: **Dec. 15, 2003**

(51) **LOC (8) Cl.** **15-09**

(52) **U.S. Cl.** **D15/145**

(58) **Field of Classification Search** D15/145;
29/773, 806; 53/416-419, 413, 456, 563,
53/138.1, 138.2, 138.3, 138.4, 138.5, 138.6,
53/138.7, 138.8

See application file for complete search history.

(56) **References Cited**

U.S. PATENT DOCUMENTS

3,389,533 A 6/1968 Tipper et al.

(Continued)

OTHER PUBLICATIONS

Product Brochure, 6 sheets, "Tipper Net For Smoking,
Hanging & Decoration, Net-All® Netting Is The Answer,"
© 2000.

Product Brochure, 1 sheet, "Tipper Clipper®—signature
Series SZ3214 Double Clipper for Netting," © 2002.

Product Brochure, 2 sheets, "Tipper Net Z3200 Double
Clipper and Plant Netting System," © 2000.

Product Brochure, 1 sheet, "Tipper Tie-Net, Safely and
quickly package plugs before shipping," © 1999.

Product Brochure, 1 sheet, "Tipper Netter NT-3000 Auto-
matic Netting-Packaging Machine," © 2002.

Product Brochure, 4 sheets, "Net-All® Netting Is The
answer To All Your Horticultural Applications," © 2001.

Product Brochure, 2 sheets, "Net-All Sleeved Plastic Net-
ting System," © 2000.

Primary Examiner—Antoine D. Davis

(74) *Attorney, Agent, or Firm*—Myers Bigel Sibley &
Sajovec PA

(57) **CLAIM**

The ornamental design for a netting product chute for
automatic and/or manual packaging operations, as shown
and described.

DESCRIPTION

FIG. 1 is a side perspective view of the netting product chute
for automatic and/or manual packaging operations showing
our design;

FIG. 2 is a side view thereof;

FIG. 3 is a top view thereof;

FIG. 4 is a bottom view thereof;

FIG. 5 is an ingress end view thereof;

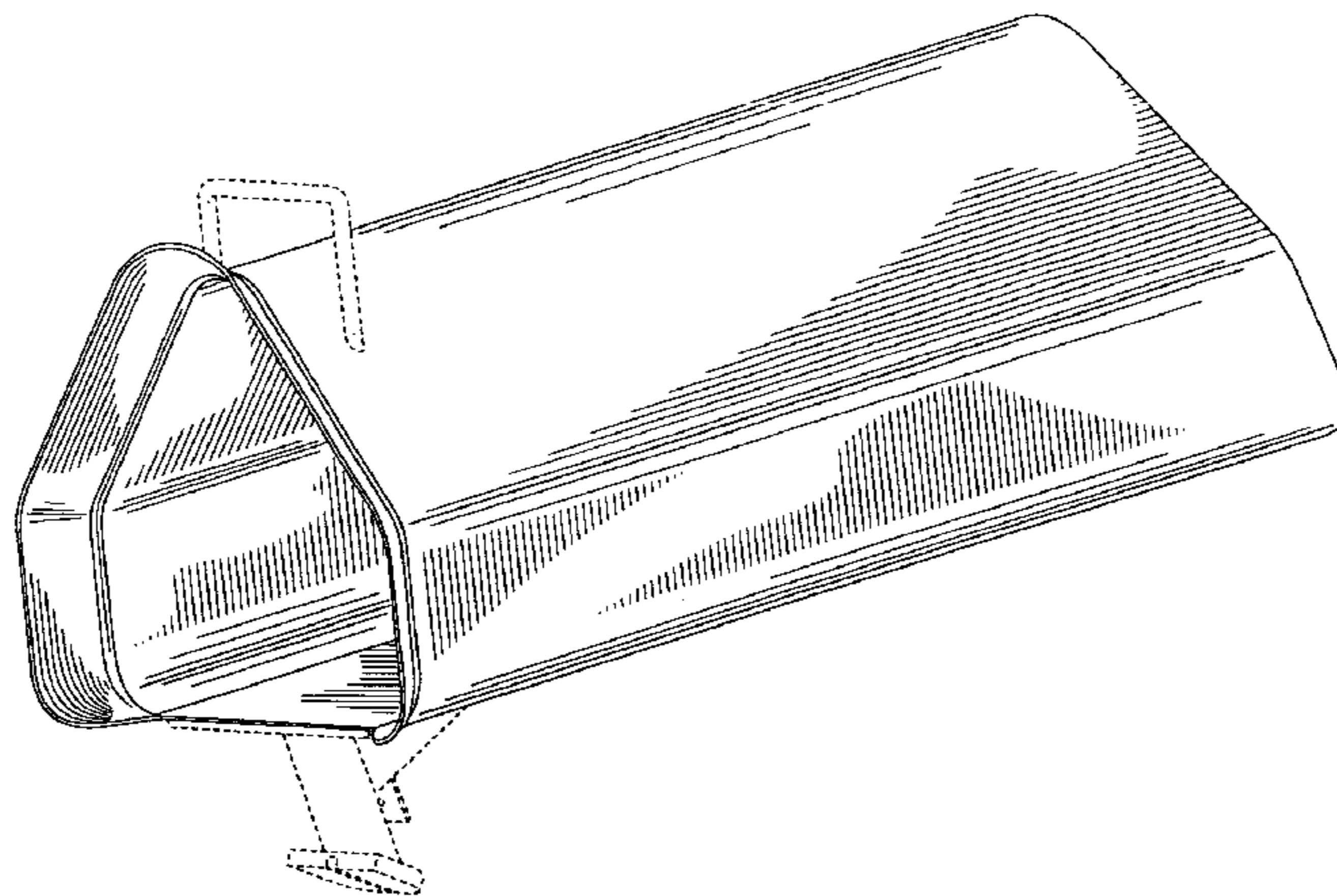
FIG. 6 is an opposing egress end view thereof;

FIG. 7 is side perspective view illustrating the netting
product chute for automatic and/or manual packaging opera-
tions in an exemplary use environment with the netting
product chute for automatic and/or manual packaging opera-
tions oriented substantially horizontally; and,

FIG. 8 is side perspective view illustrating the netting
product chute for automatic and/or manual packaging opera-
tions in an exemplary use environment, with the netting
product chute for automatic and/or manual packaging opera-
tions titled angularly down.

The opposing side view of the netting product chute for
automatic and/or manual packaging operations is the same
as that in FIG. 2. The broken lines shown herein are for
illustrative purposes only and form no part of the claimed
design. The illustrated device is not limited to the scale
shown and the illustrated ham product and netting material
shown in broken lines in FIGS. 7 and 8 are exemplary only,
as the netting product chute for automatic and/or manual
packaging operations is useful for packaging other food
items as well as other net-enclosed industrial and commod-
ity items and/or may be used with other netting types.

1 Claim, 8 Drawing Sheets



US D530,350 S

Page 2

U.S. PATENT DOCUMENTS

3,499,259 A	3/1970	Tipper et al.					
3,587,204 A *	6/1971	George	53/138.4	5,016,424 A	5/1991	Stirling	53/459
3,732,662 A *	5/1973	Paxton	53/415	5,042,234 A *	8/1991	Evans et al.	53/523
3,945,171 A	3/1976	Marietta et al.	53/576	5,044,144 A *	9/1991	Foote et al.	29/806
D243,158 S *	1/1977	Bolwell	D15/145	5,161,347 A	11/1992	May et al.	53/138.2
4,091,595 A *	5/1978	Pelster et al.	53/417	5,402,625 A	4/1995	Halstead	53/570
4,247,005 A *	1/1981	Buxton	53/138.4	5,495,701 A	3/1996	Poteat et al.	53/138.2
4,537,006 A	8/1985	Pieri	53/134	5,586,424 A	12/1996	Chen et al.	53/138.2
4,590,748 A *	5/1986	Harrison et al.	53/576	6,052,972 A	4/2000	Rea et al.	53/576
4,683,700 A	8/1987	Evans et al.	53/138.4	6,745,547 B1 *	6/2004	Bussey et al.	53/576
4,766,713 A	8/1988	Evans	53/138.2	2003/0131564 A1	7/2003	Ailey et al.	53/413

* cited by examiner

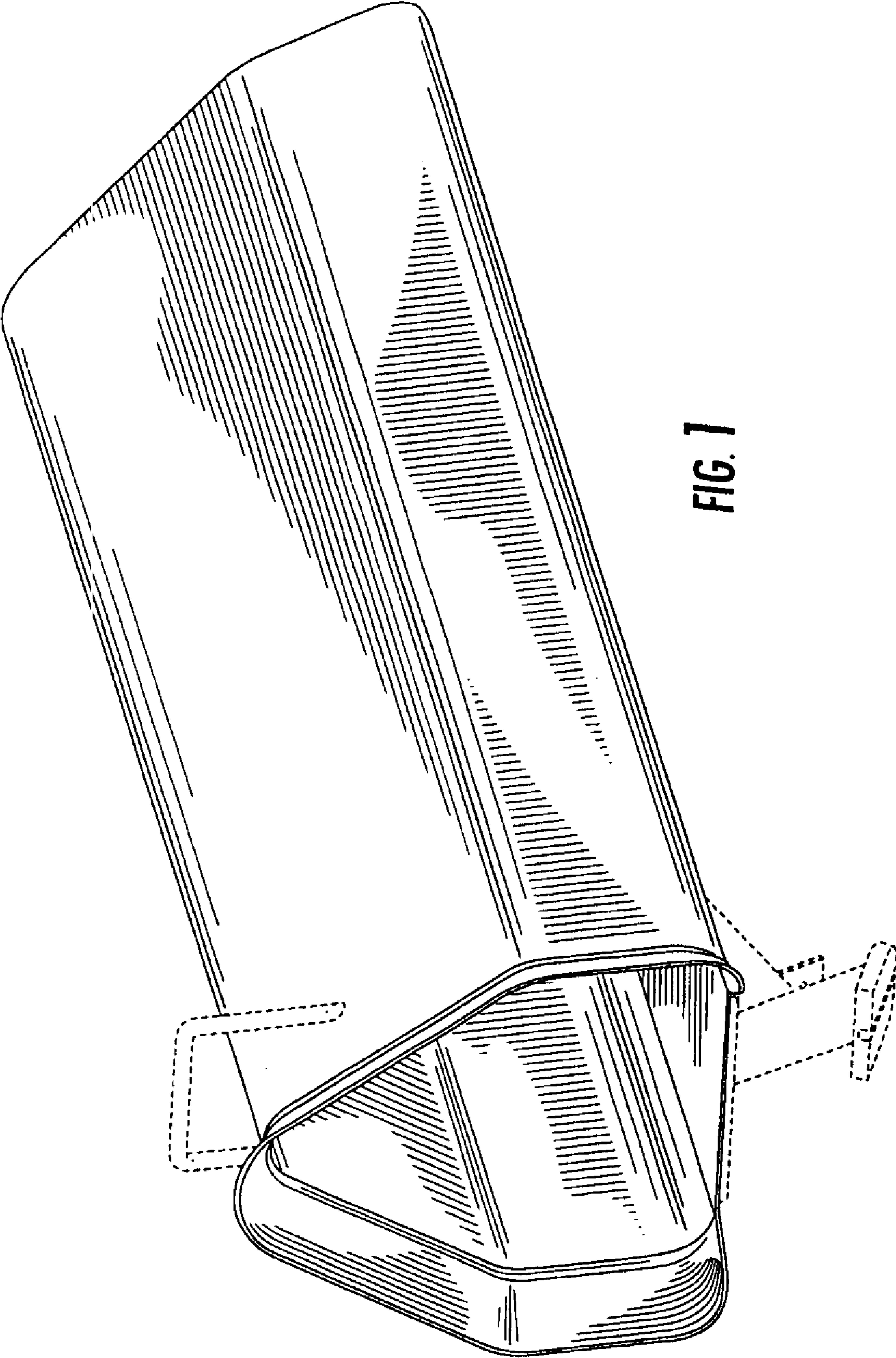


FIG. 1

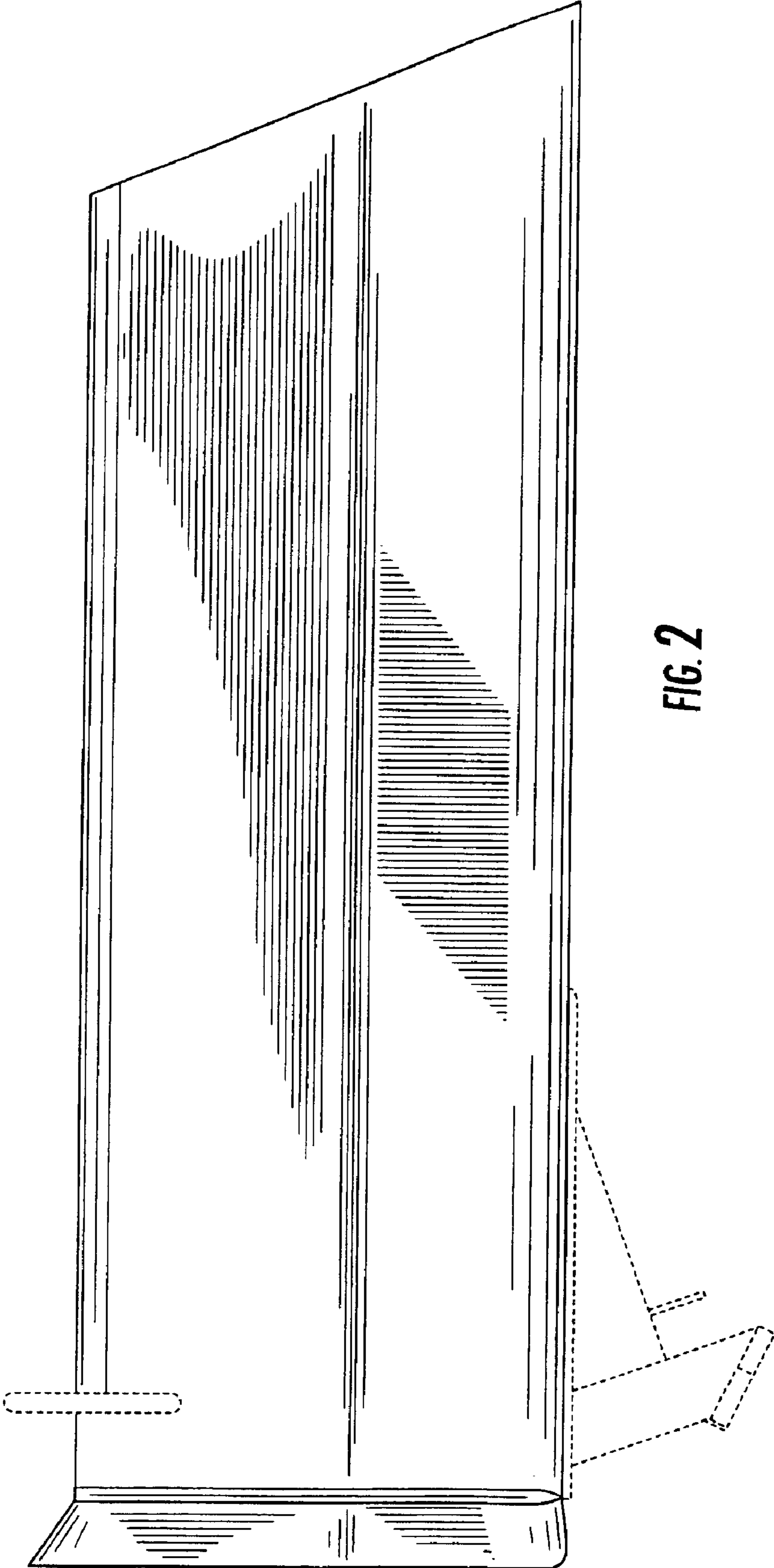


FIG. 2

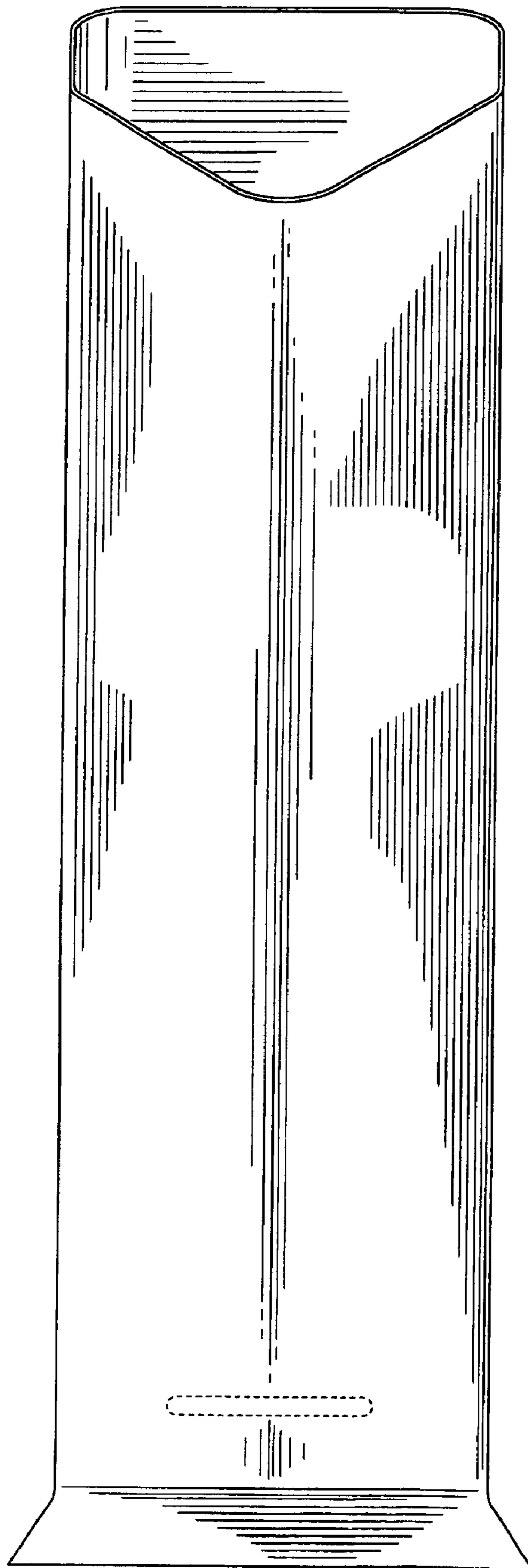


FIG. 3

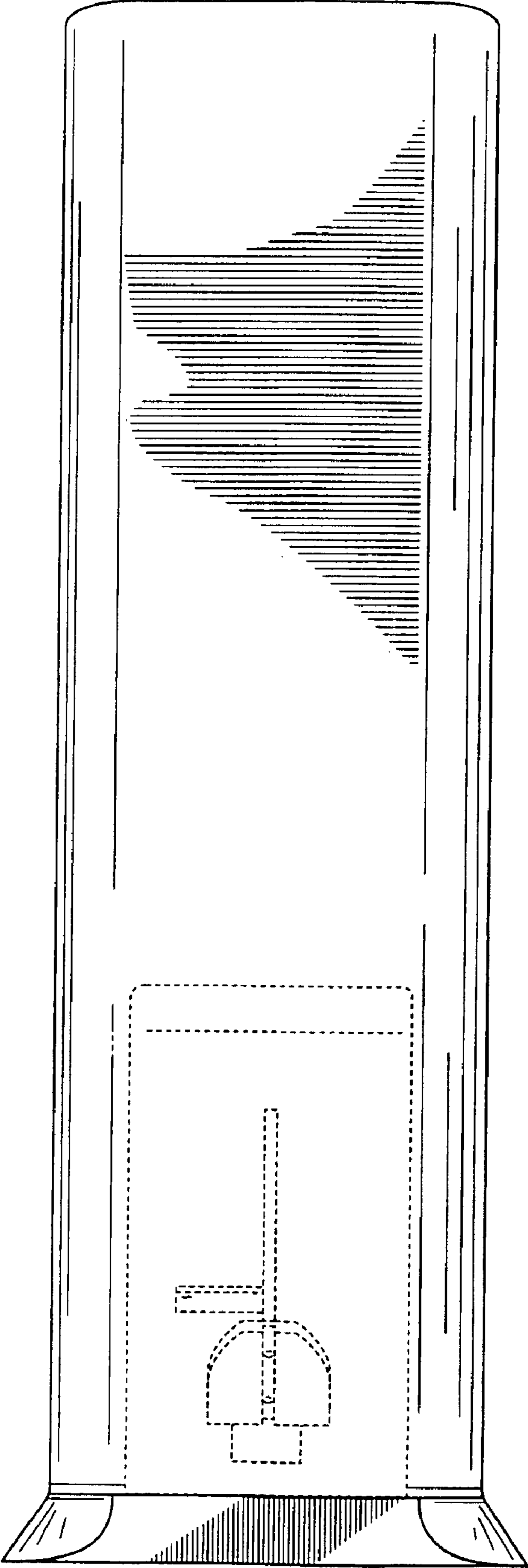


FIG. 4

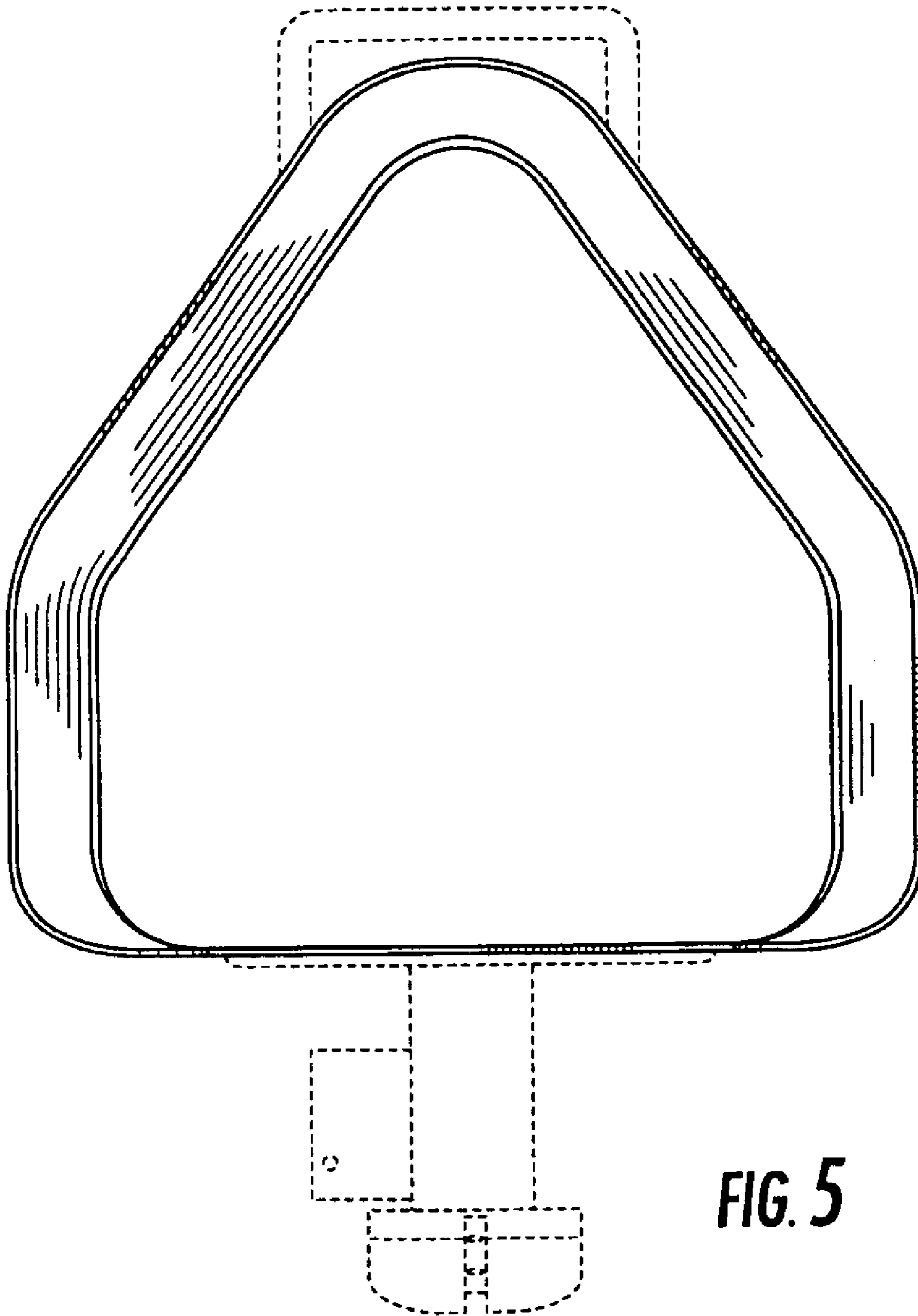


FIG. 5

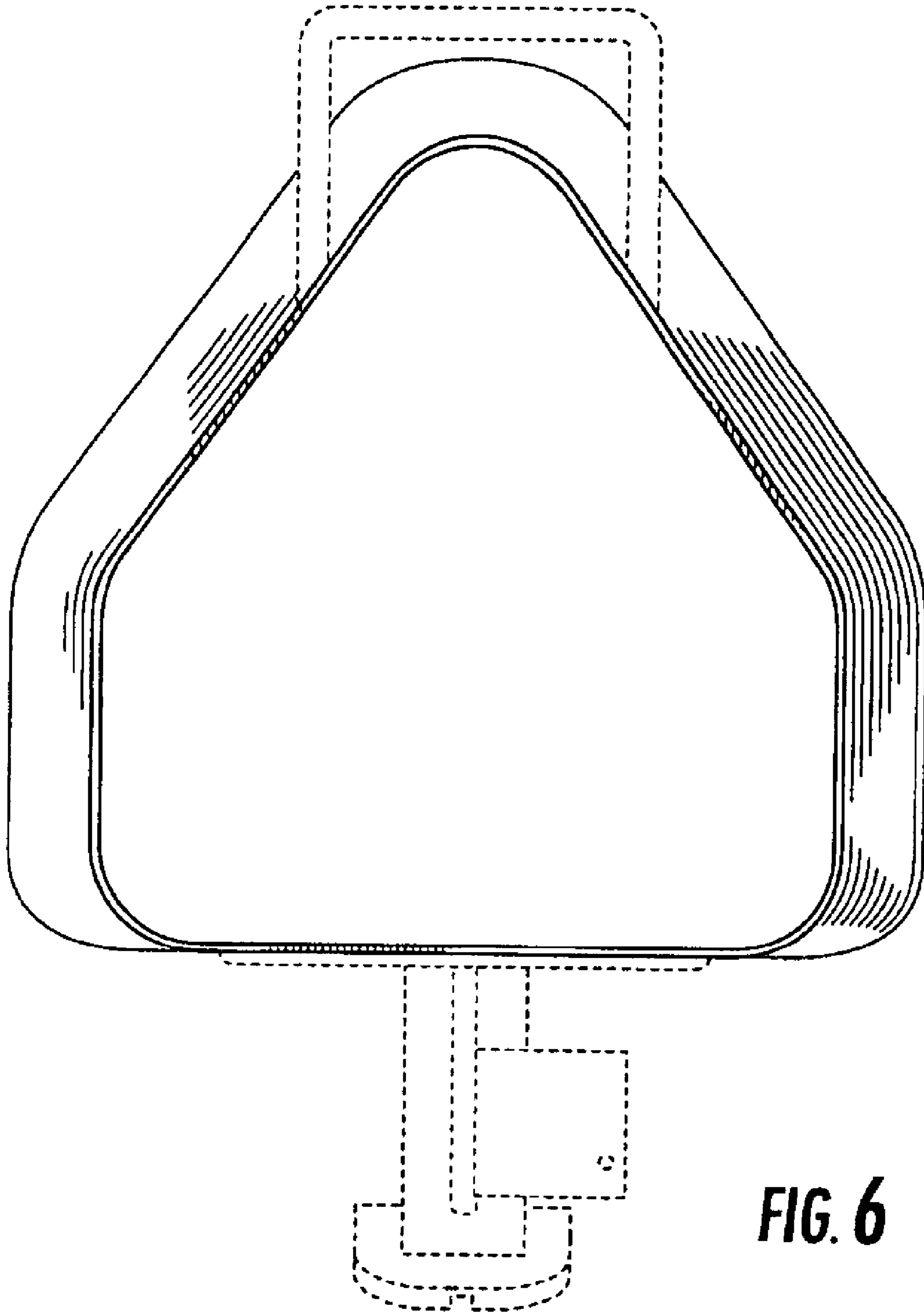


FIG. 6

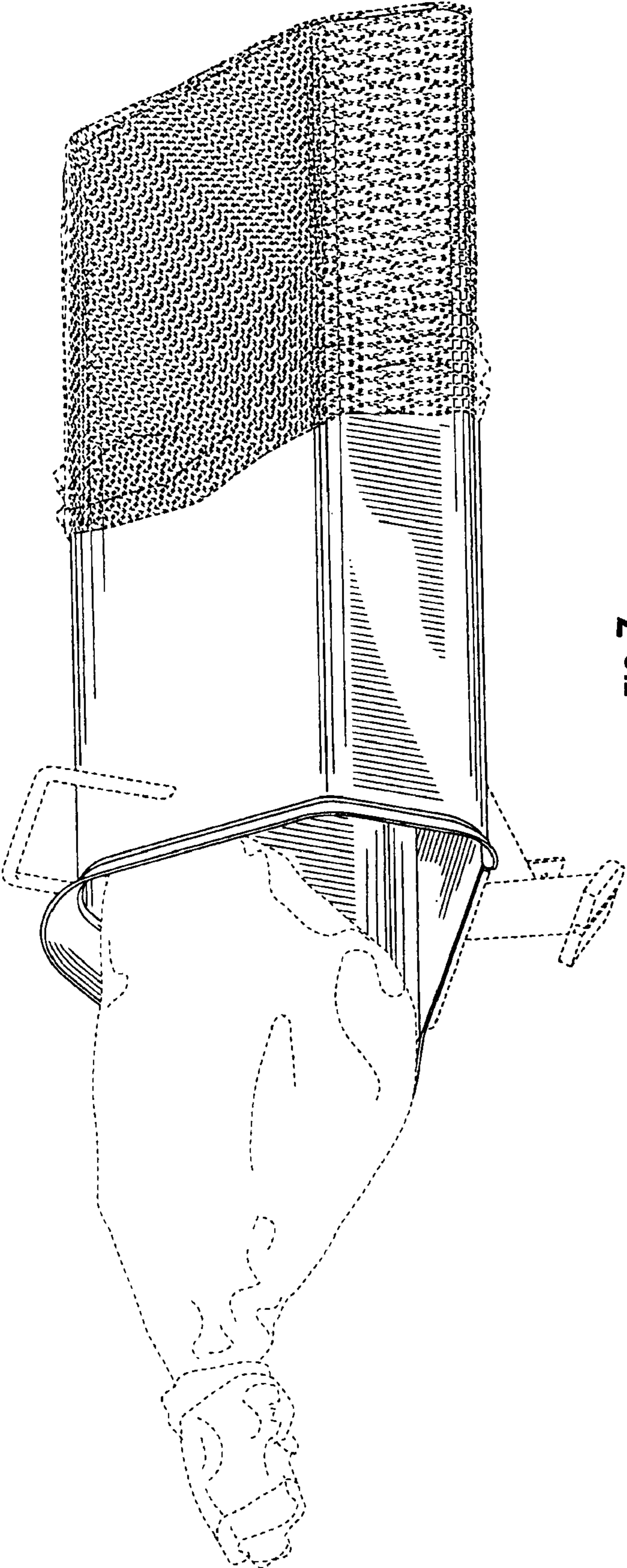


FIG. 7

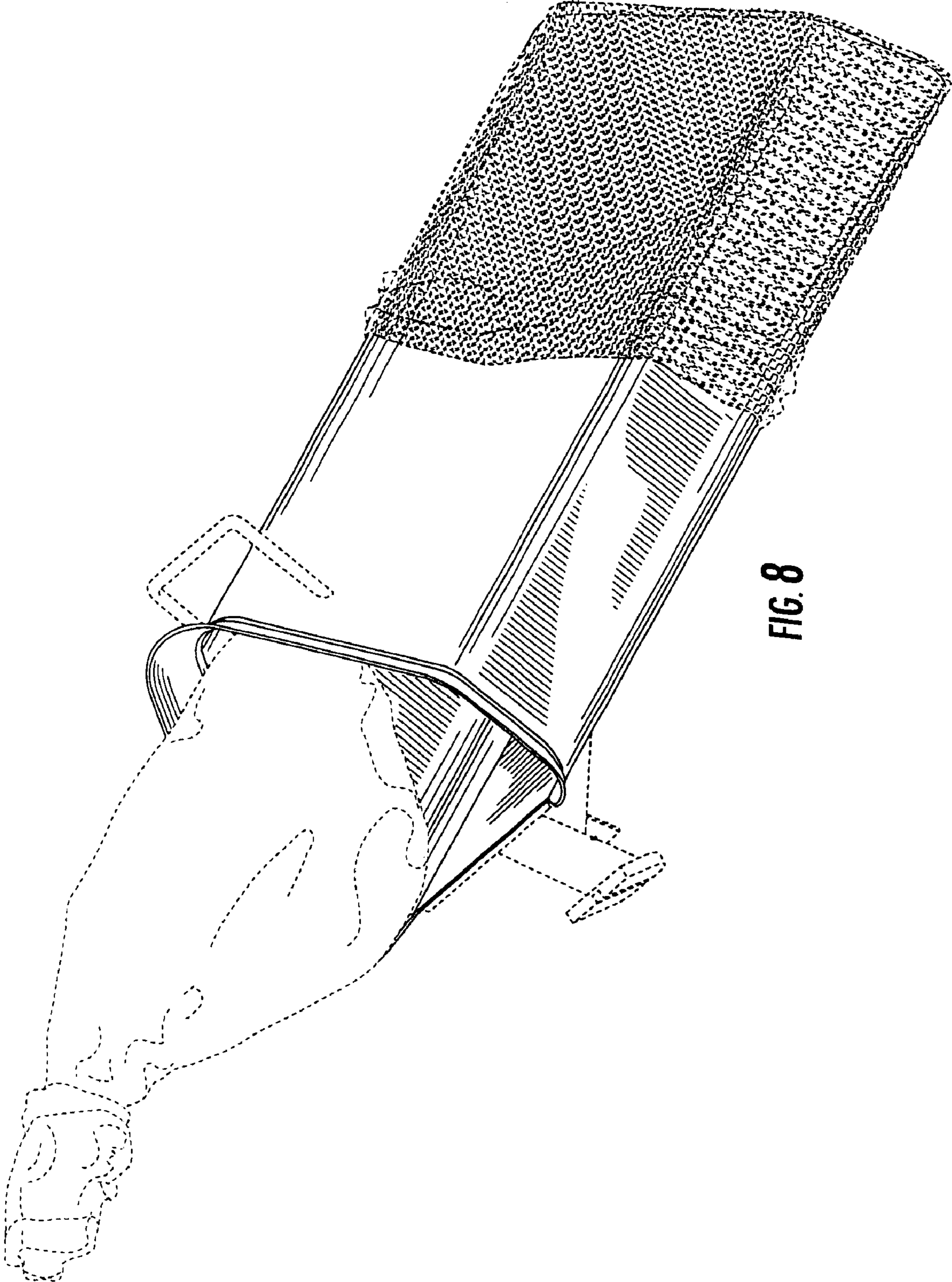


FIG. 8