



US00D530349S

(12) **United States Design Patent**  
**Ishihara et al.**

(10) **Patent No.:** **US D530,349 S**

(45) **Date of Patent:** **\*\* Oct. 17, 2006**

(54) **CONTROLLER FOR SOLDERING IRON**

D490,448 S \* 5/2004 Ishihara ..... D15/144  
D493,342 S 7/2004 Masaki  
D497,527 S \* 10/2004 Masaki ..... D8/30

(75) Inventors: **Toshinobu Ishihara**, Osaka (JP);  
**Toshikazu Mochizuki**, Osaka (JP)

\* cited by examiner

(73) Assignee: **Hakko Corporation**, Osaka (JP)

*Primary Examiner*—Antoine D. Davis

(\*\*) Term: **14 Years**

*Assistant Examiner*—Patricia Palasik

(21) Appl. No.: **29/224,058**

(74) *Attorney, Agent, or Firm*—Squire, Sanders & Dempsey, LLP

(22) Filed: **Feb. 23, 2005**

(57) **CLAIM**

(30) **Foreign Application Priority Data**

The ornamental design for a controller for soldering iron, as shown and described.

Nov. 9, 2004 (JP) ..... D2004-034092

**DESCRIPTION**

(51) **LOC (8) Cl.** ..... **15-09**

(52) **U.S. Cl.** ..... **D15/144.2**

(58) **Field of Classification Search** ..... D15/144,  
D15/144.1, 144.2; 219/125.1, 130.5, 132  
See application file for complete search history.

FIG. 1 is a perspective view of a controller for soldering iron;

FIG. 2 is a front view thereof;

FIG. 3 is a rear view thereof;

FIG. 4 is a left side view thereof;

FIG. 5 is a right side view thereof;

FIG. 6 is a top view thereof; and,

FIG. 7 is a bottom view thereof.

The portion shown by broken lines is for illustrative purposes only and forms no part of the claimed design.

(56) **References Cited**

**U.S. PATENT DOCUMENTS**

D277,636 S 2/1985 Rittmann  
D339,146 S 9/1993 Ruszowski  
D424,077 S \* 5/2000 Abed et al. .... D15/144

**1 Claim, 4 Drawing Sheets**

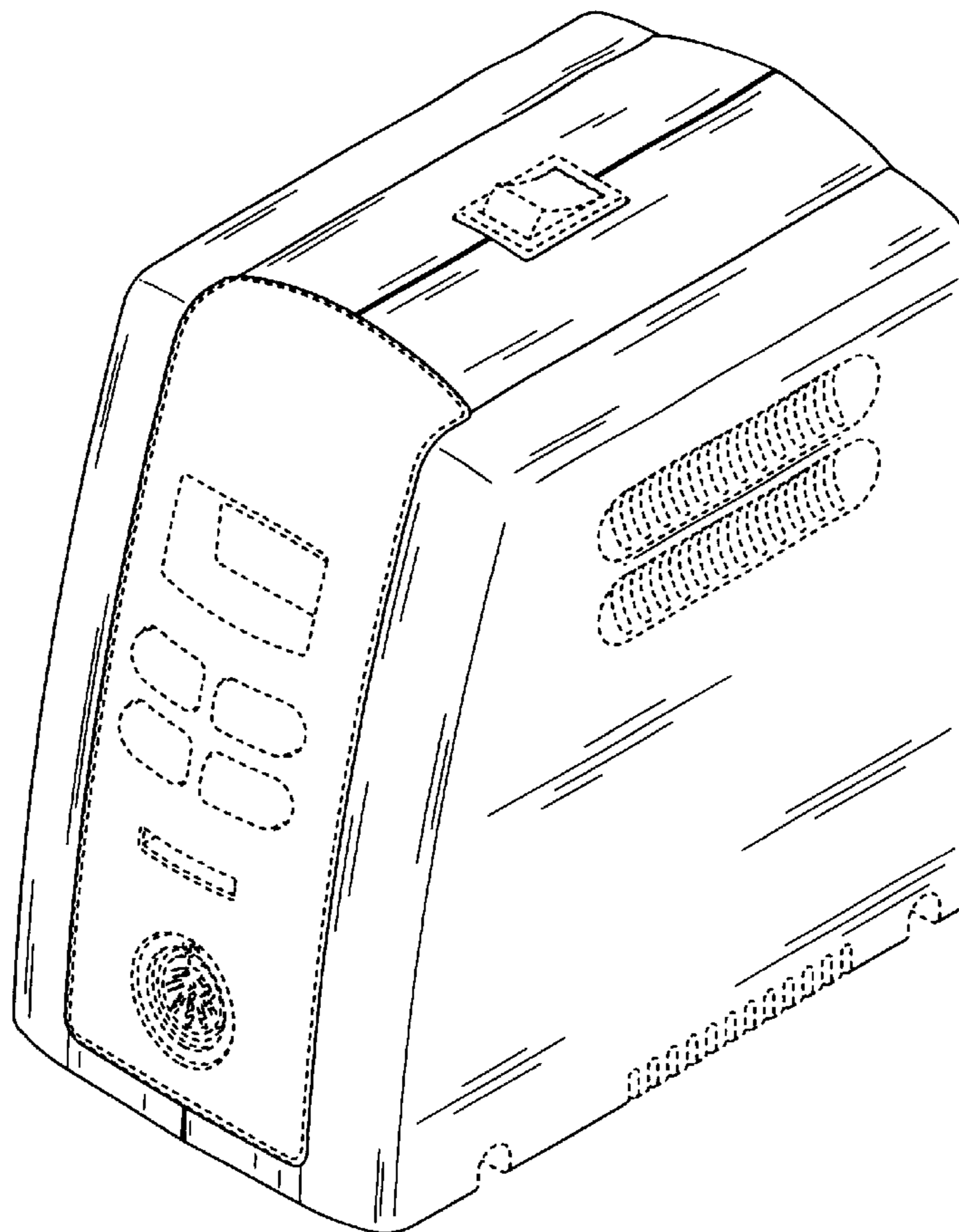


Fig.1

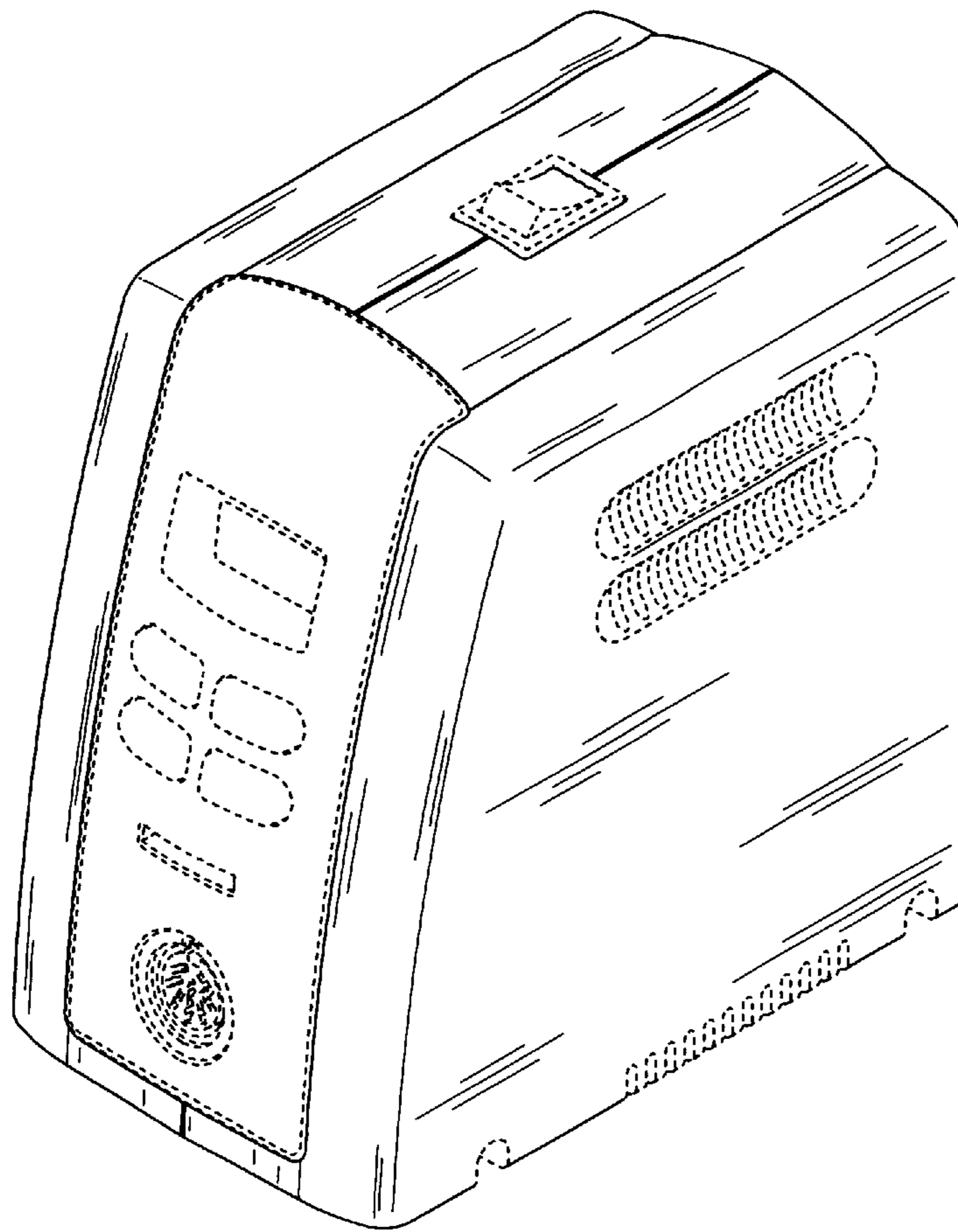


Fig.2

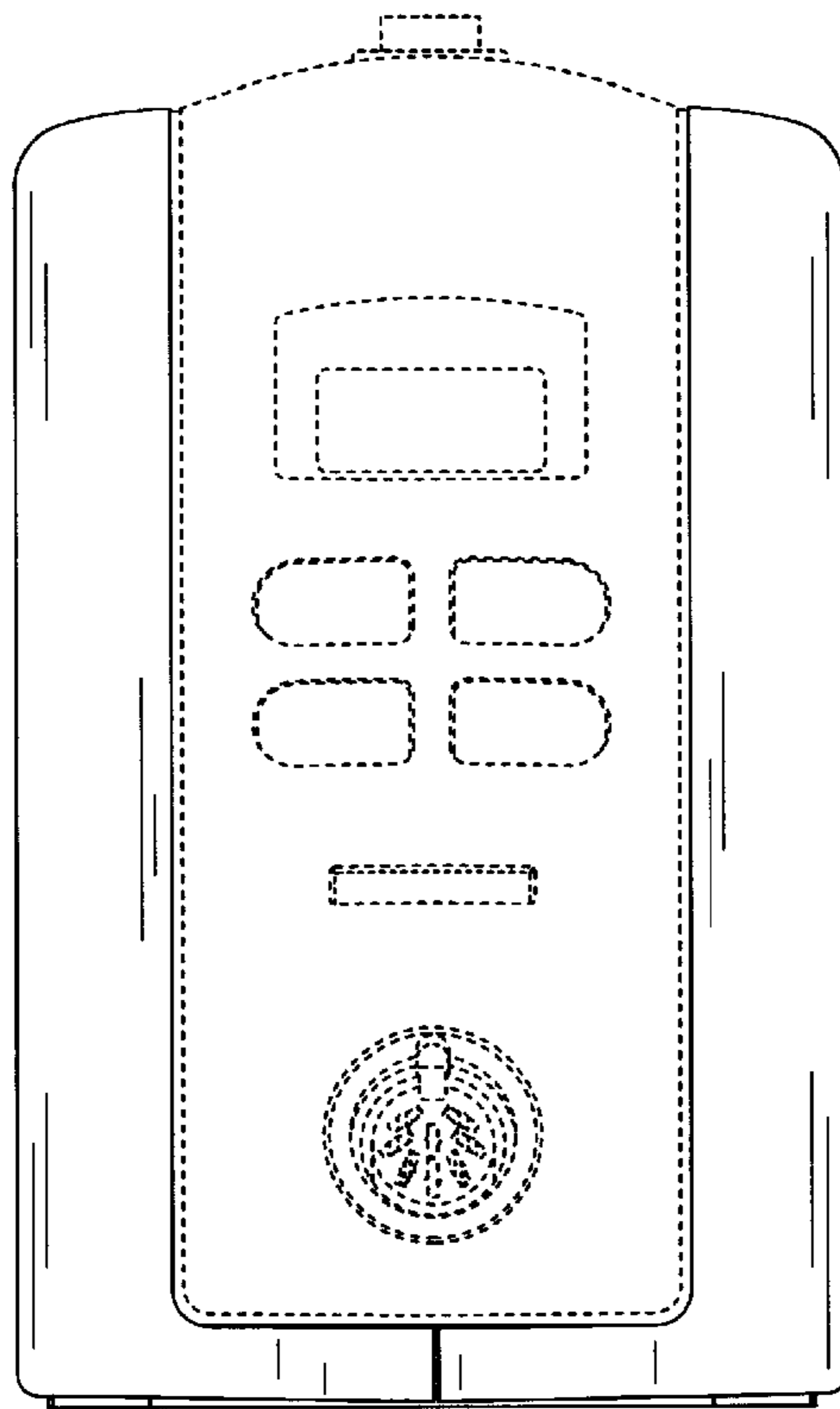


Fig.3

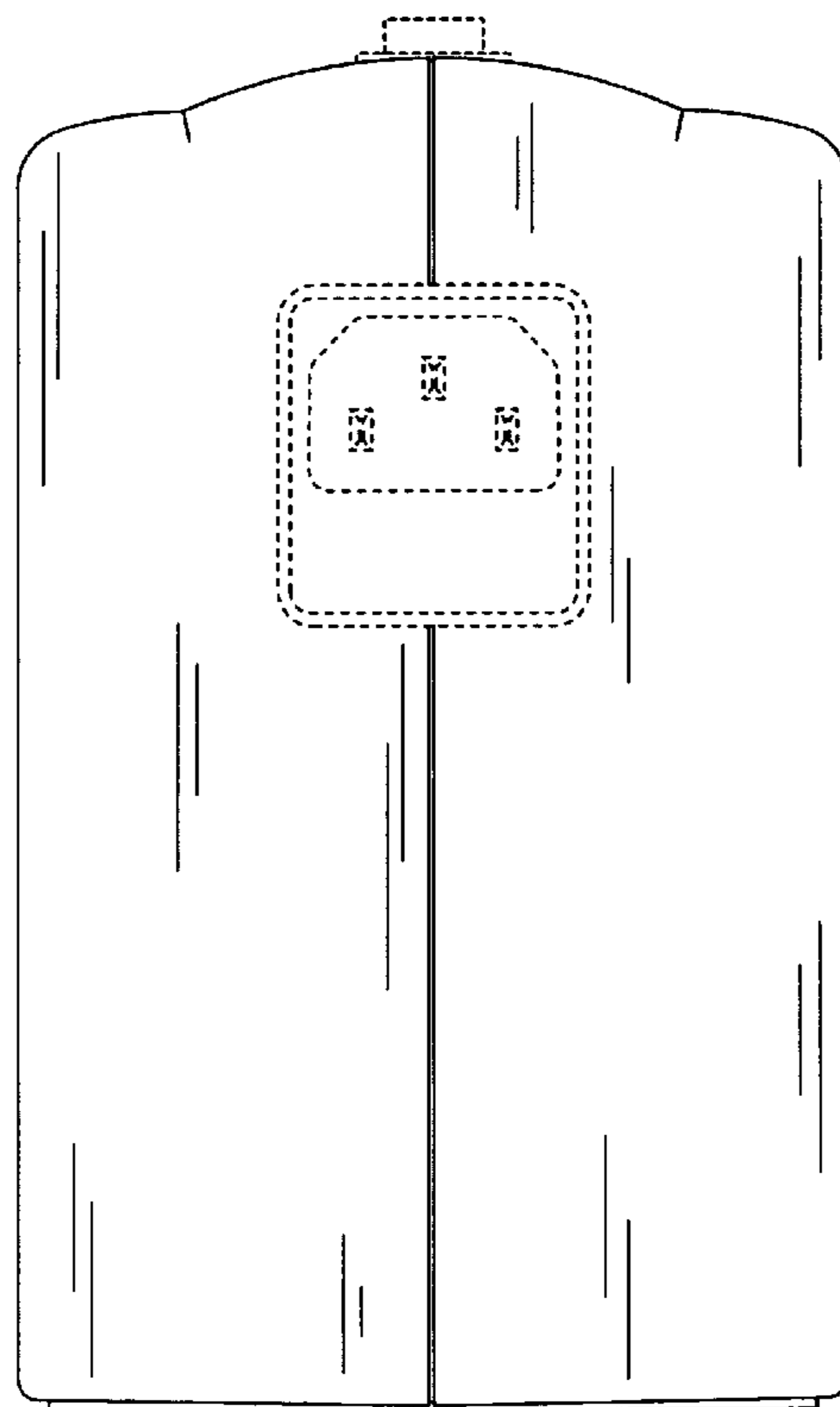


Fig.4

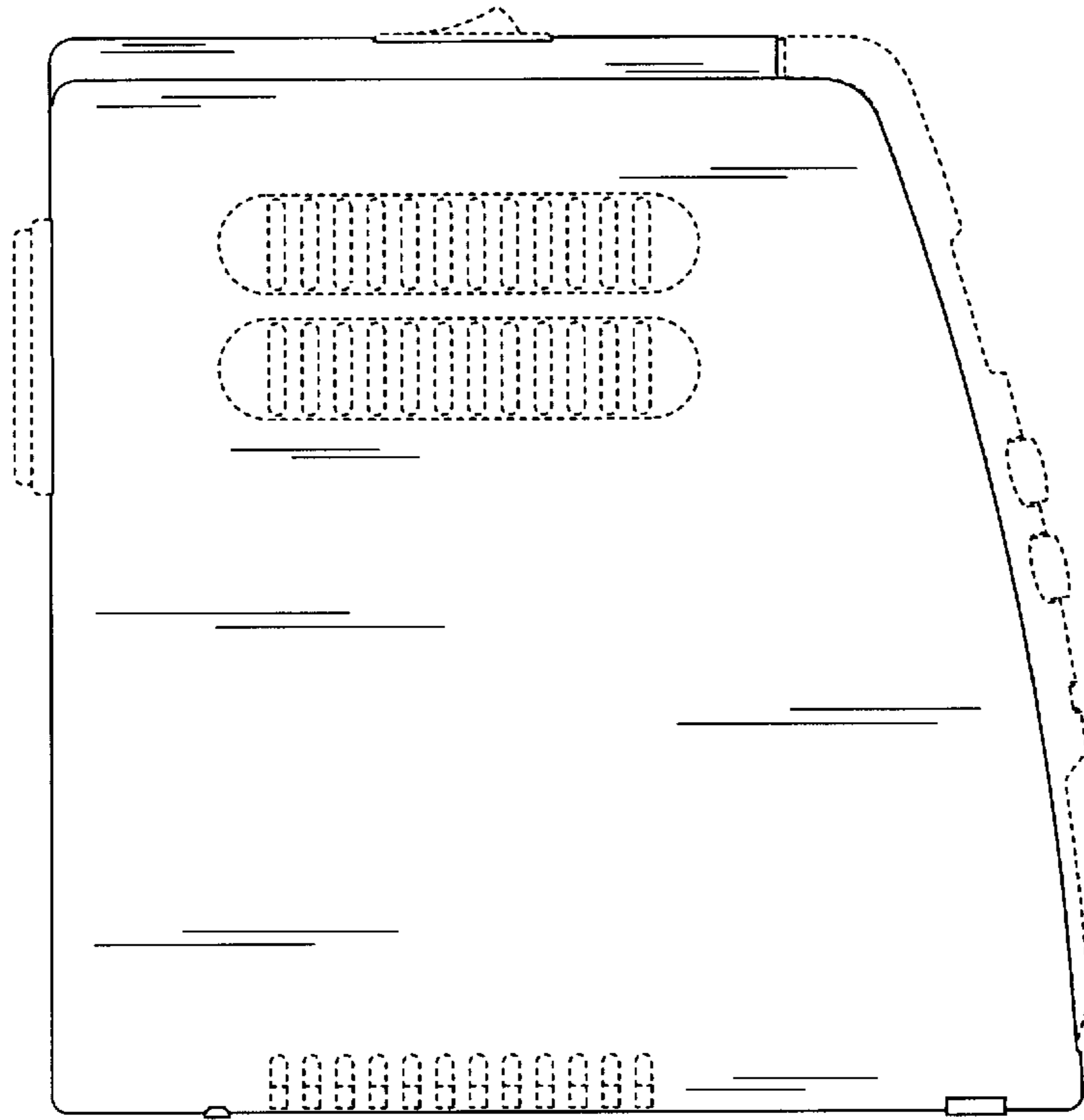


Fig.5

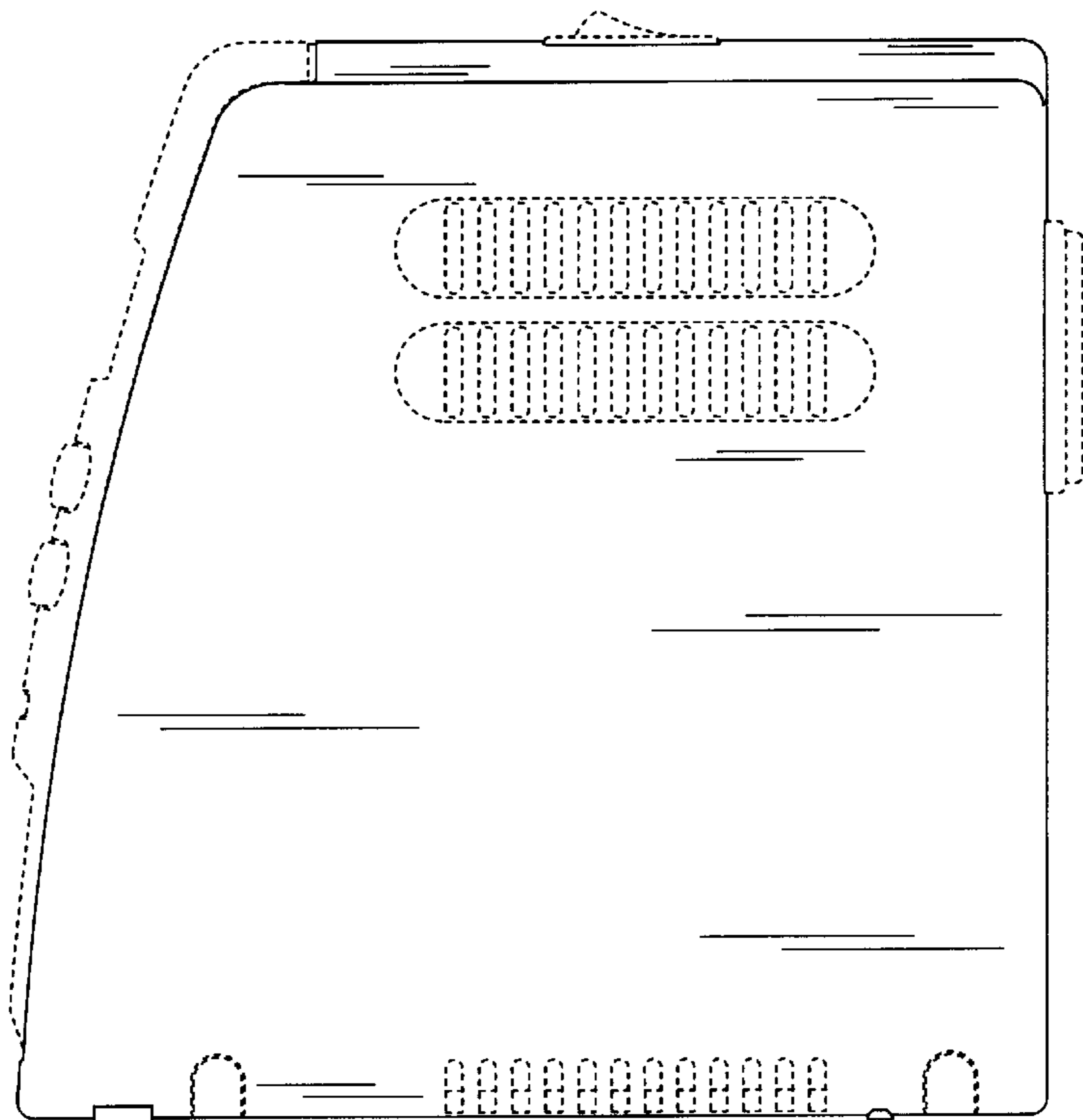


Fig.6

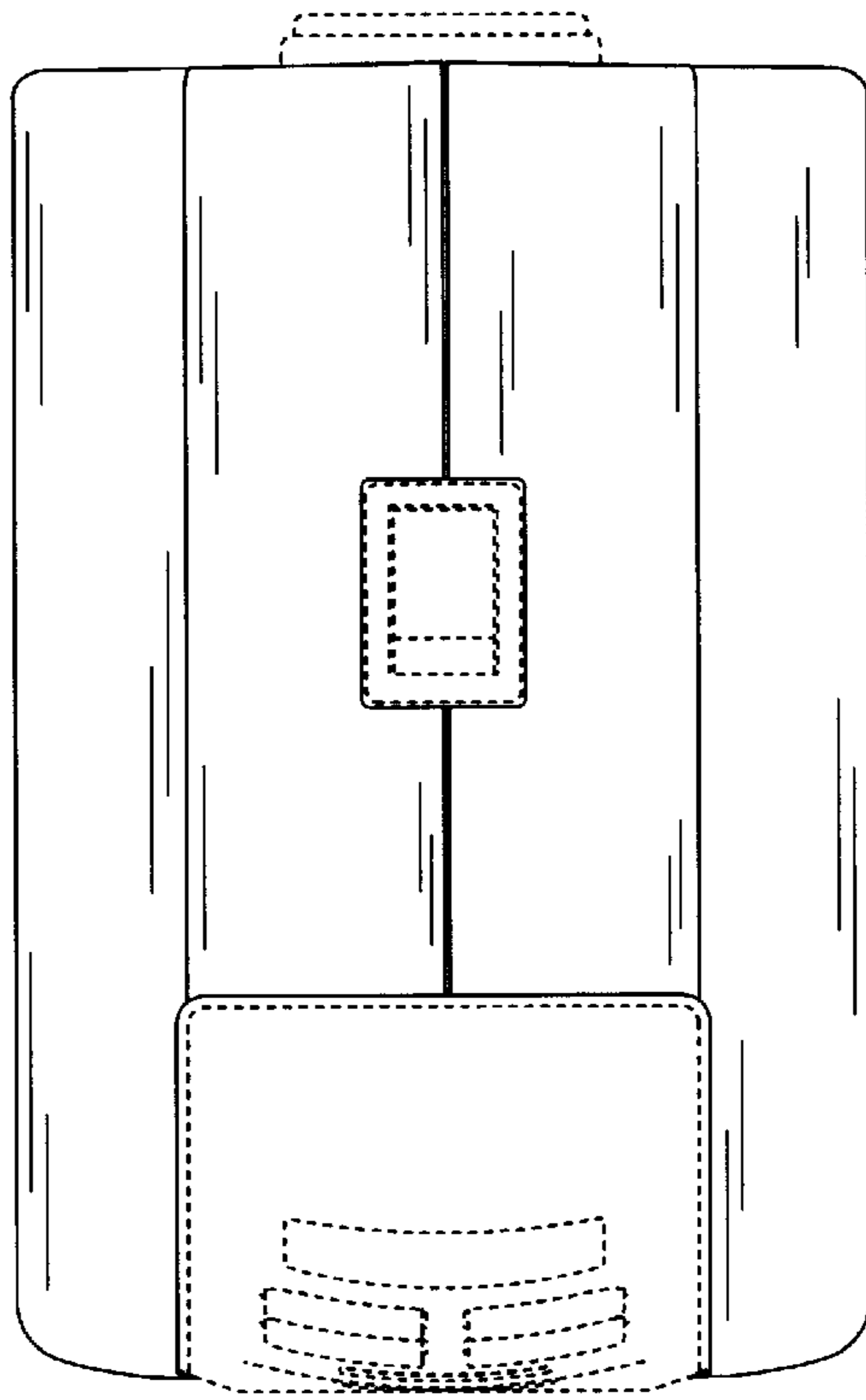


Fig.7

