



US00D530345S

(12) **United States Design Patent**
Chu

(10) **Patent No.:** **US D530,345 S**

(45) **Date of Patent:** **** Oct. 17, 2006**

(54) **HOUSING FOR AIR COMPRESSOR**

D506,763 S * 6/2005 Chu D15/9

(76) **Inventor:** **Henry C. Chu**, 133N. Lemon St.,
Orange, CA (US) 92866

* cited by examiner

Primary Examiner—Ralf Seifert

(**) **Term:** **14 Years**

(74) *Attorney, Agent, or Firm*—Charles E. Baxley

(21) **Appl. No.:** **29/229,492**

(57) **CLAIM**

(22) **Filed:** **May 9, 2005**

The ornamental design for a housing for air compressor, as shown and described.

(51) **LOC (8) Cl.** **15-02**

DESCRIPTION

(52) **U.S. Cl.** **D15/9**

(58) **Field of Classification Search** D15/7-9;
D23/232, 231; 417/359, 415-416, 410.1,
417/321, 265, 405

FIG. 1 is a perspective view of a housing for air compressor showing my new design;
FIG. 2 is a front elevational view thereof;
FIG. 3 is a rear elevational view thereof;
FIG. 4 is a top plan view thereof;
FIG. 5 is a bottom plan view thereof;
FIG. 6 is a left side elevational view thereof; and,
FIG. 7 is a right side elevational view thereof.

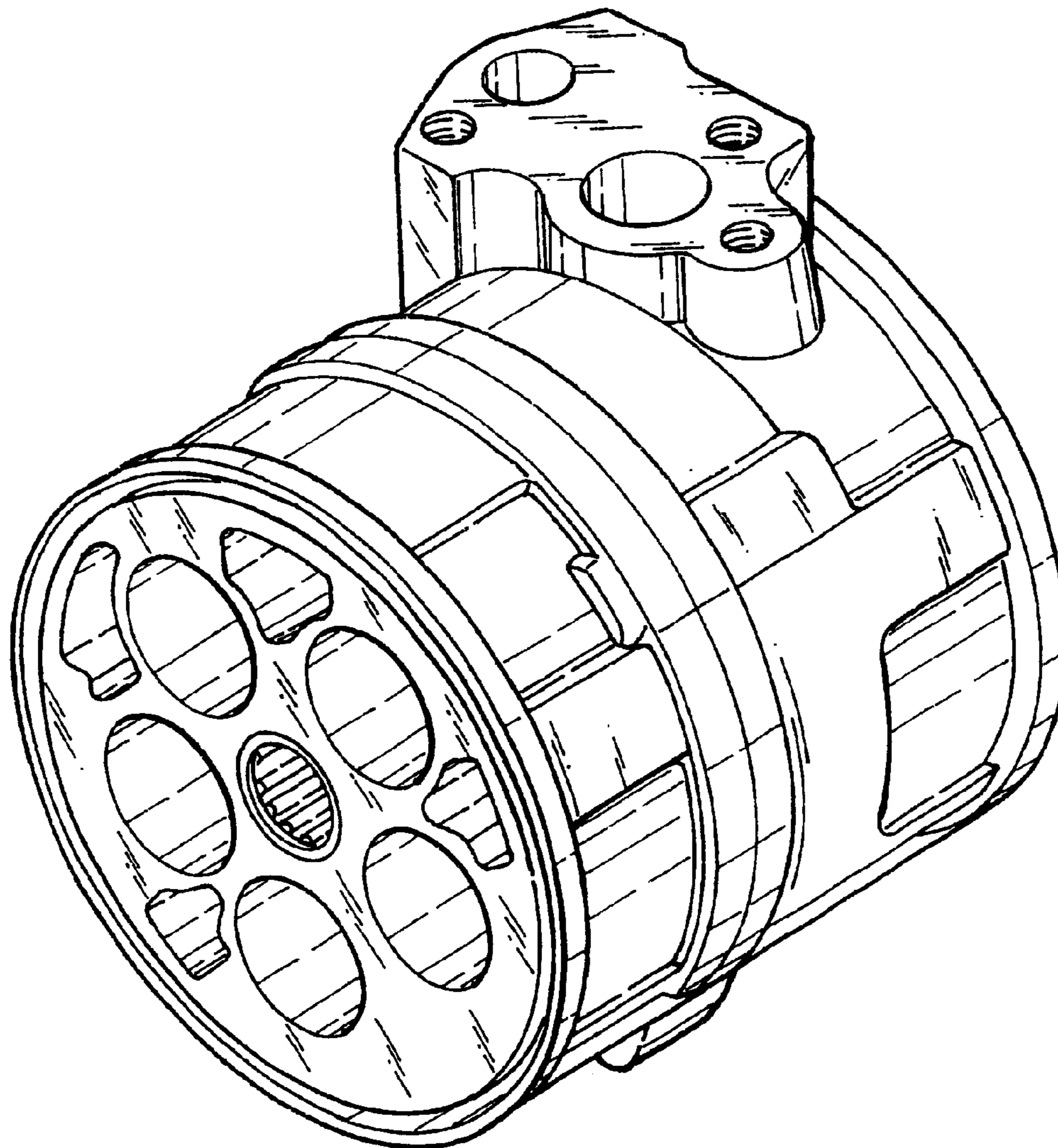
See application file for complete search history.

(56) **References Cited**

U.S. PATENT DOCUMENTS

D363,493 S * 10/1995 Makino D15/7
D505,961 S * 6/2005 Chu D15/9

1 Claim, 4 Drawing Sheets



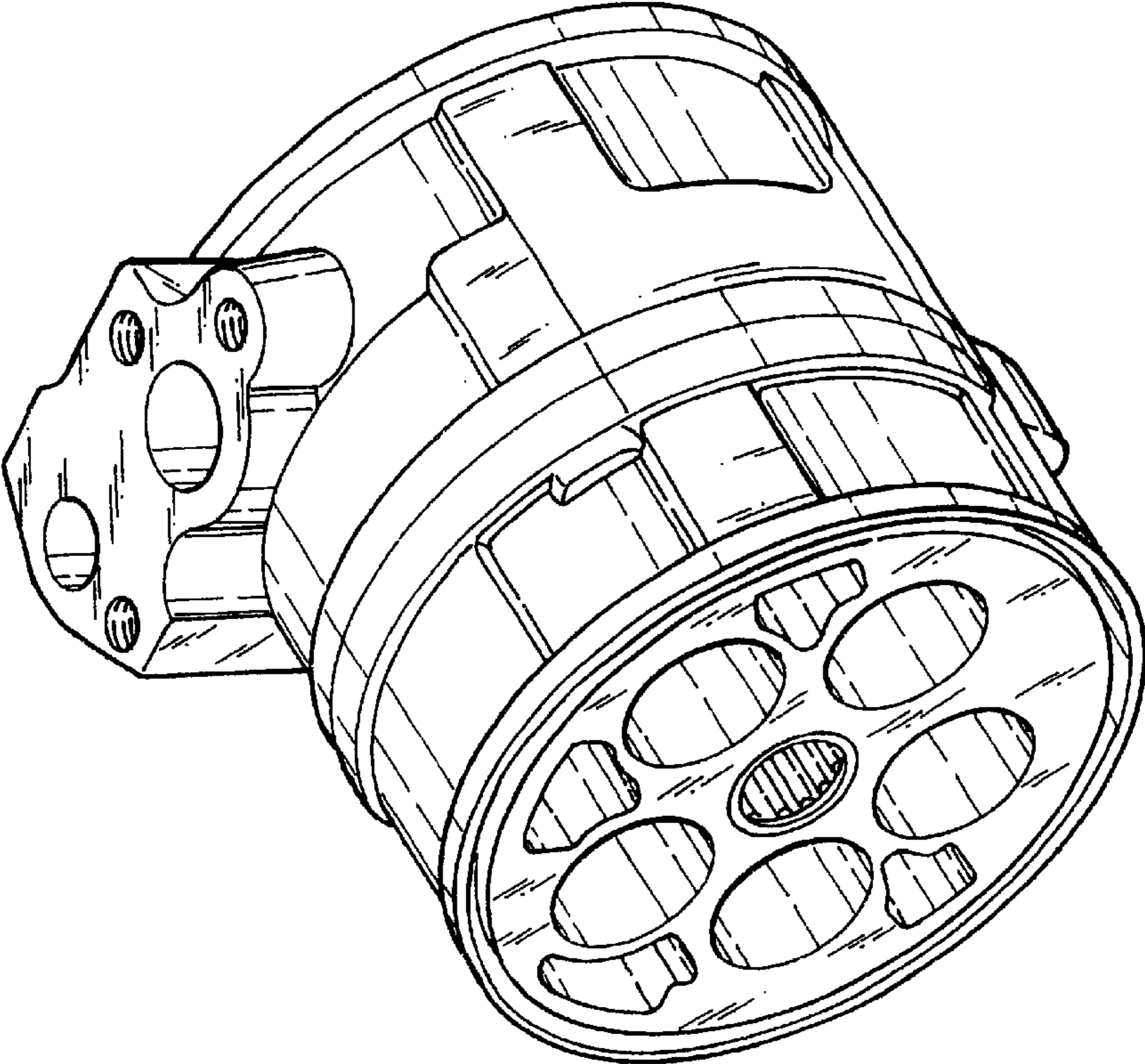


FIG. 1

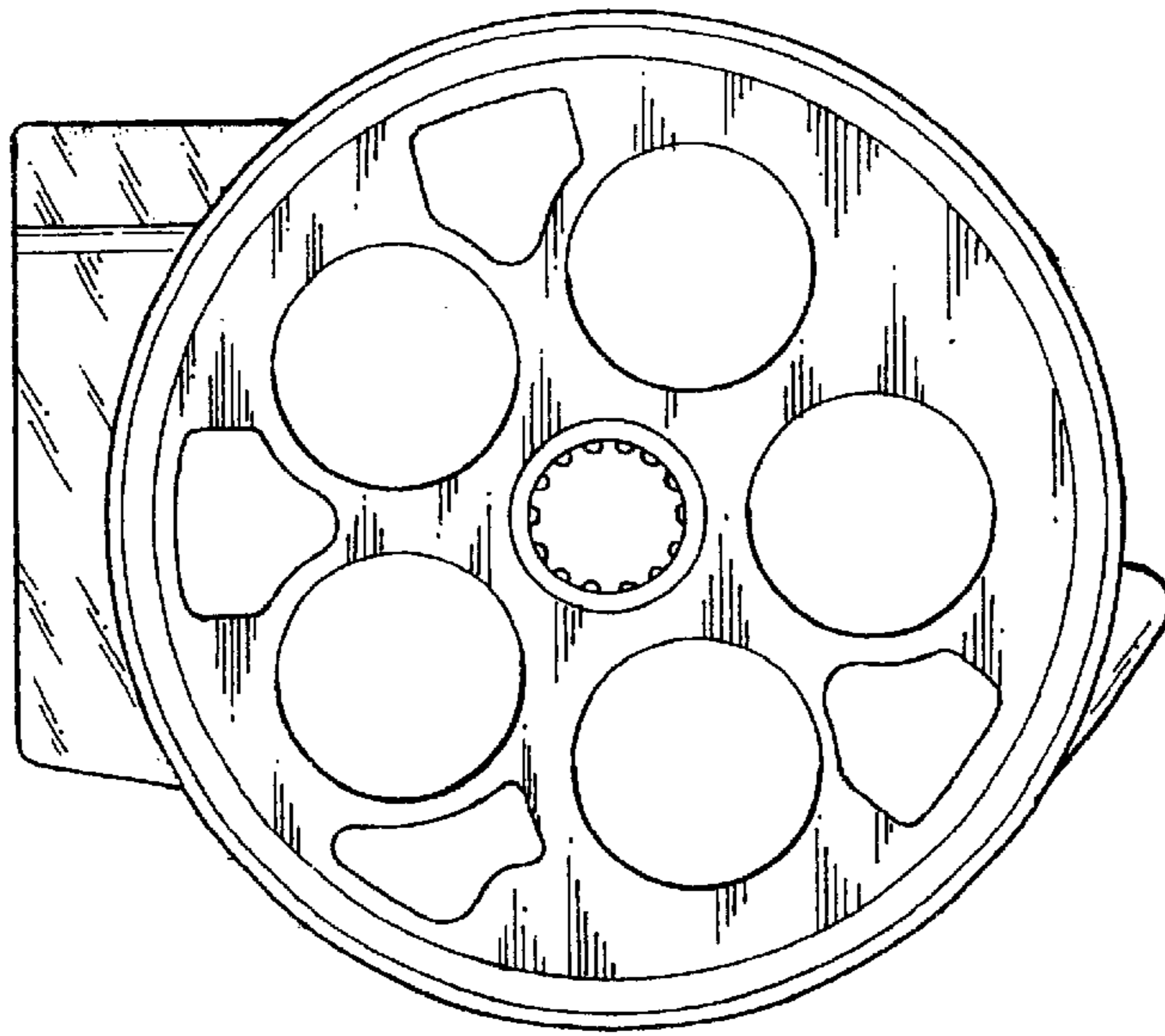


FIG. 3

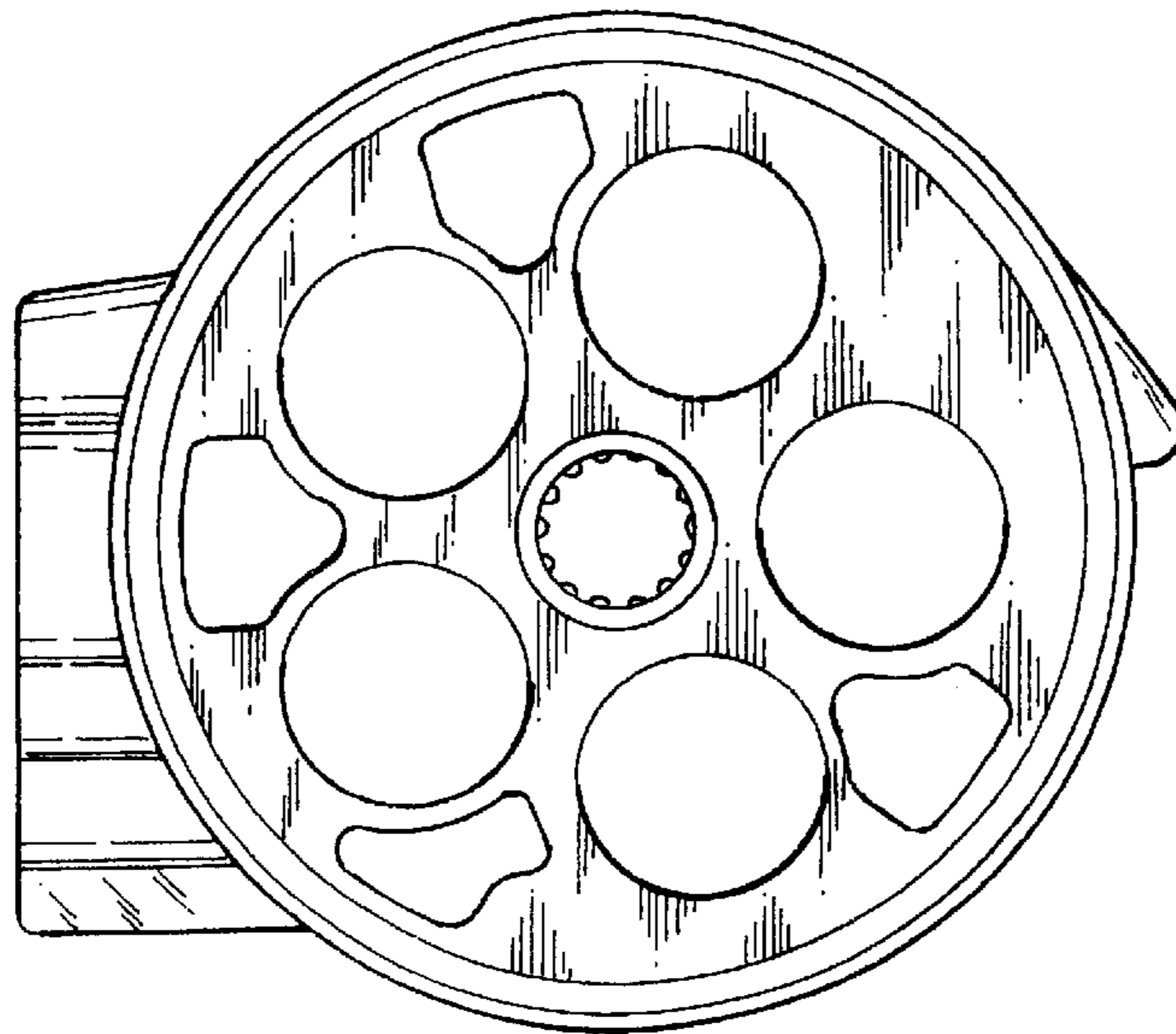


FIG. 2

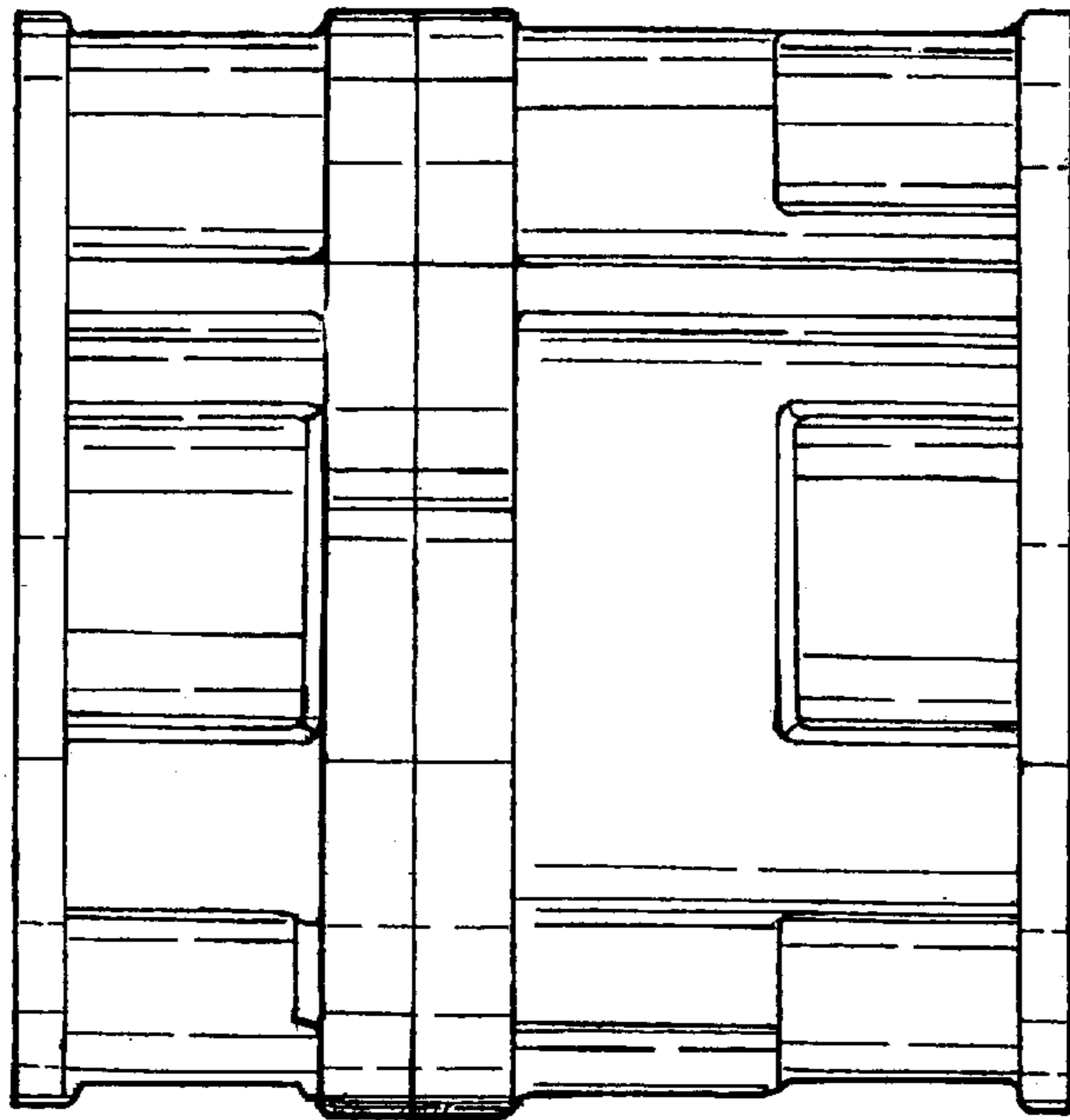


FIG. 5

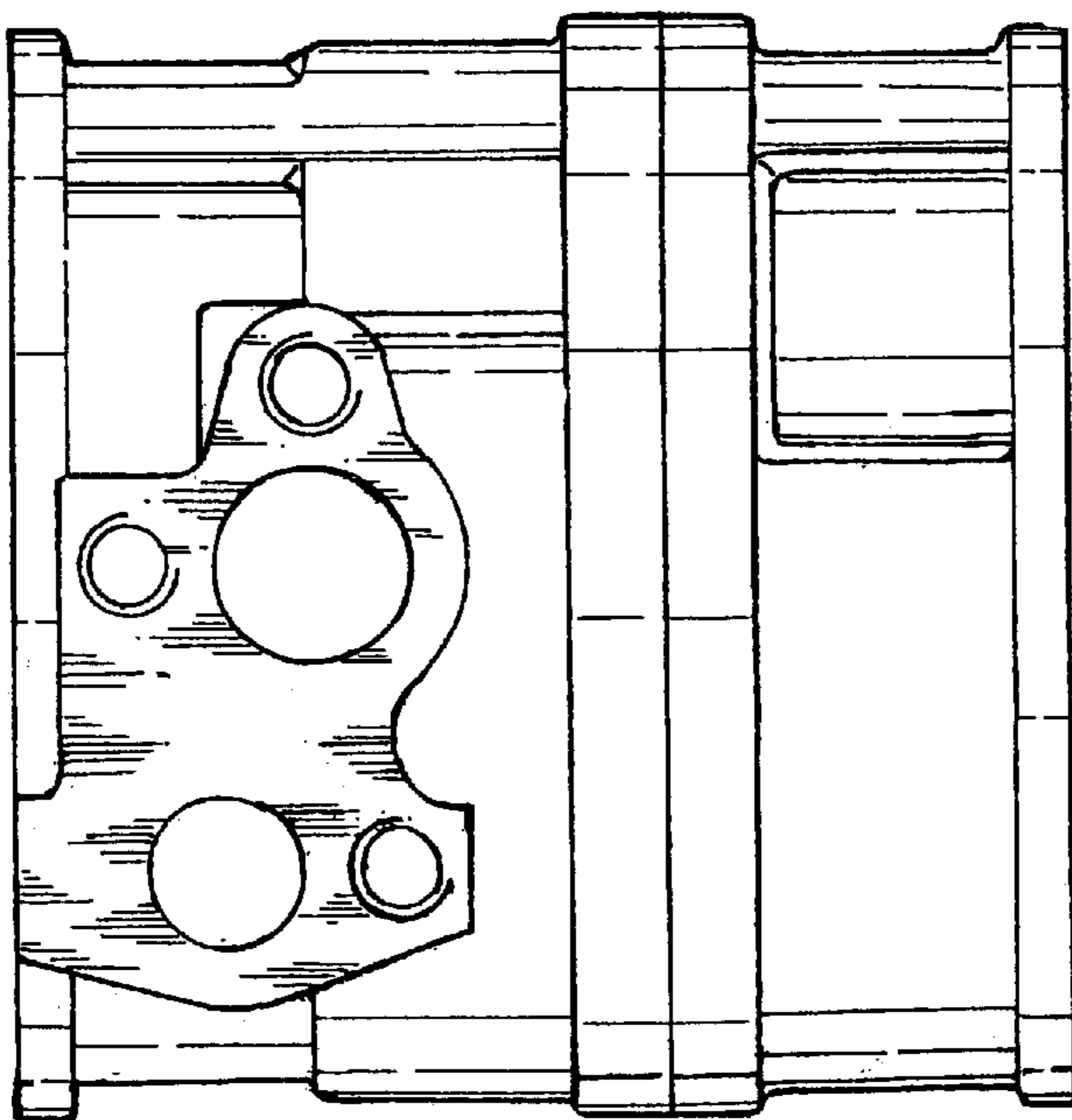


FIG. 4

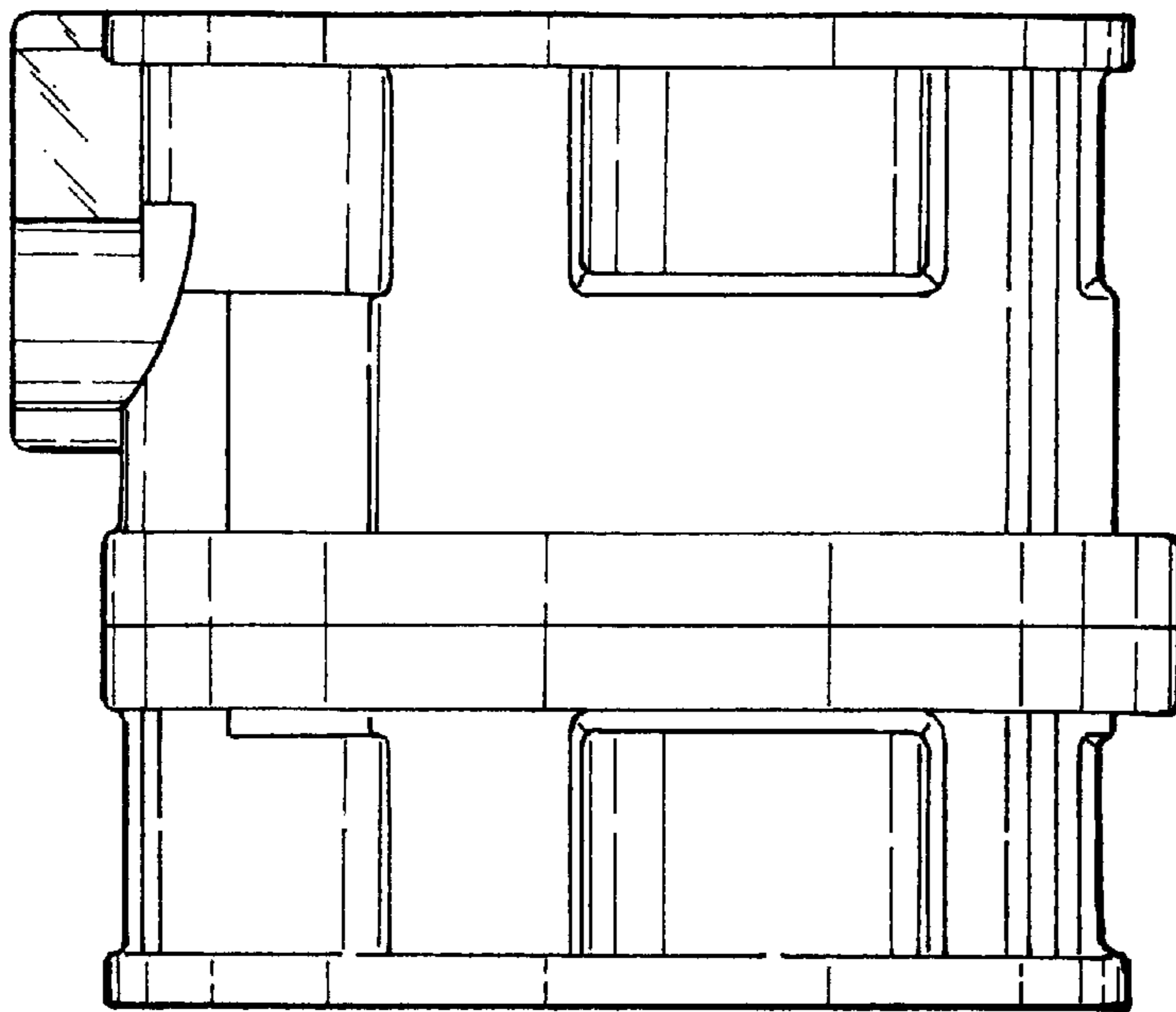


FIG. 7

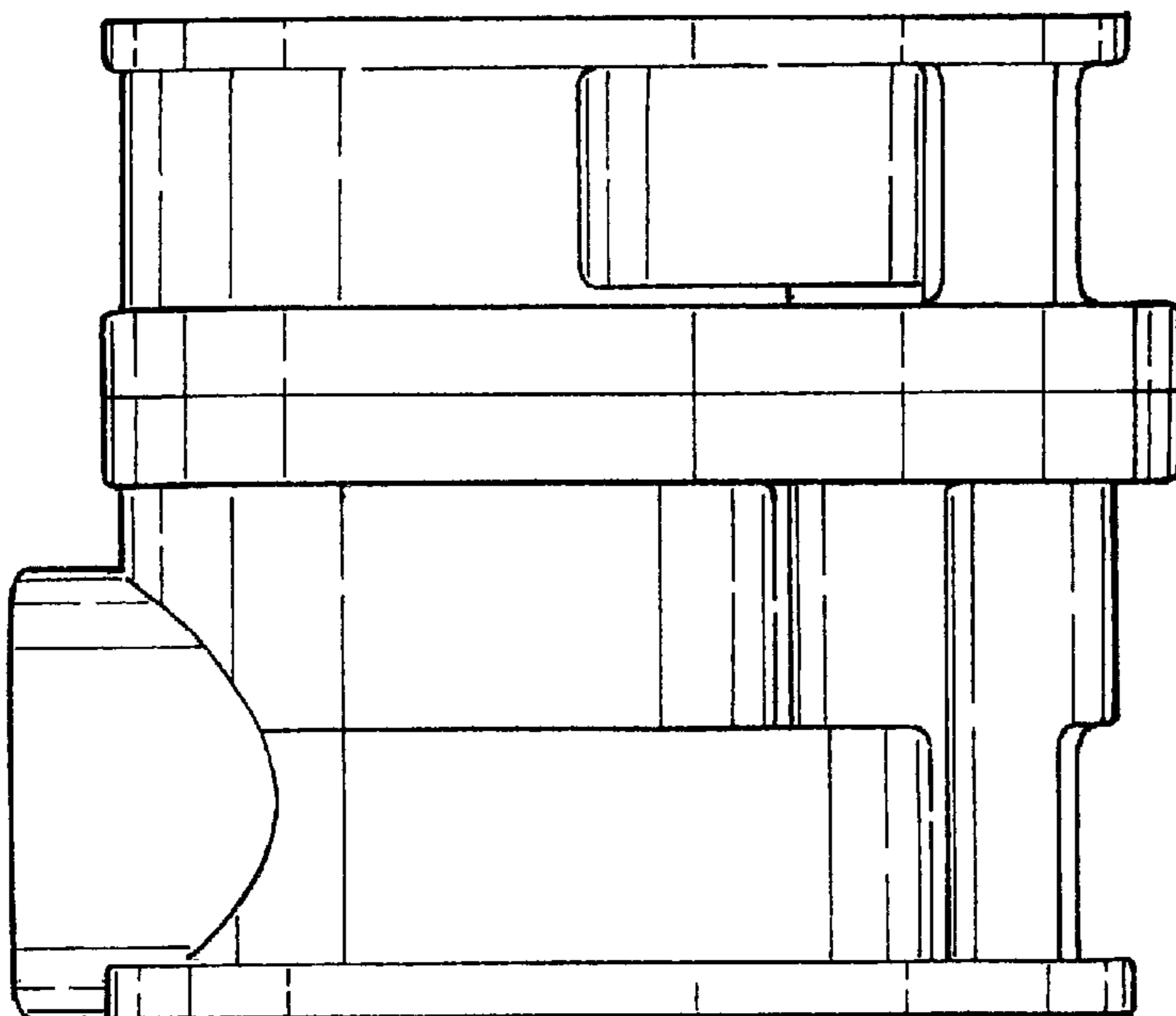


FIG. 6