



US00D530343S

(12) **United States Design Patent**
Maruyama et al.

(10) **Patent No.:** **US D530,343 S**

(45) **Date of Patent:** **** Oct. 17, 2006**

(54) **HOUSING FOR A STORAGE DEVICE**

D474,191 S * 5/2003 Nakayama D14/475
D486,154 S * 2/2004 Nishio et al. D14/474
D491,564 S * 6/2004 Chaney et al. D14/435

(75) Inventors: **Yukinobu Maruyama**, Kokubunji (JP);
Masayuki Ohki, Kokubunji (JP);
Tadaaki Tomikawa, Yokohama (JP);
Keiichi Ochi, Kanagawa (JP)

* cited by examiner

Primary Examiner—Prabhakar Deshmukh

(74) *Attorney, Agent, or Firm*—Matthew S. Zises

(73) Assignee: **Hitachi Global Storage Technologies**
Netherlands B.V., Amsterdam (NL)

(57) **CLAIM**

(**) Term: **14 Years**

The ornamental design for a housing for a storage device, as shown.

(21) Appl. No.: **29/245,246**

DESCRIPTION

(22) Filed: **Dec. 21, 2005**

(51) **LOC (8) Cl.** **14-03**

(52) **U.S. Cl.** **D14/496**; D14/481; D14/475;
D14/435; D21/332

(58) **Field of Classification Search** D14/474,
D14/475, 478, 481, 483, 335, 496; D21/332,
D21/333; 463/42–47; 206/307, 308.1; 242/348–348.4;
360/132–134; 369/272, 273

The figures below illustrate an ornamental design for the housing for a storage device having a hard drive inside and used by inserting the storage device in the memory slot of another device such as a Personal Digital Assistant device, in order to record or reproduce various information, pictures, music, security information, and program information on the hard drive. In one embodiment of the present invention, the sizes of the memory device is a front breadth of about 80 mm, a height of about 67 mm, and a size with a depth of about 10 mm.

See application file for complete search history.

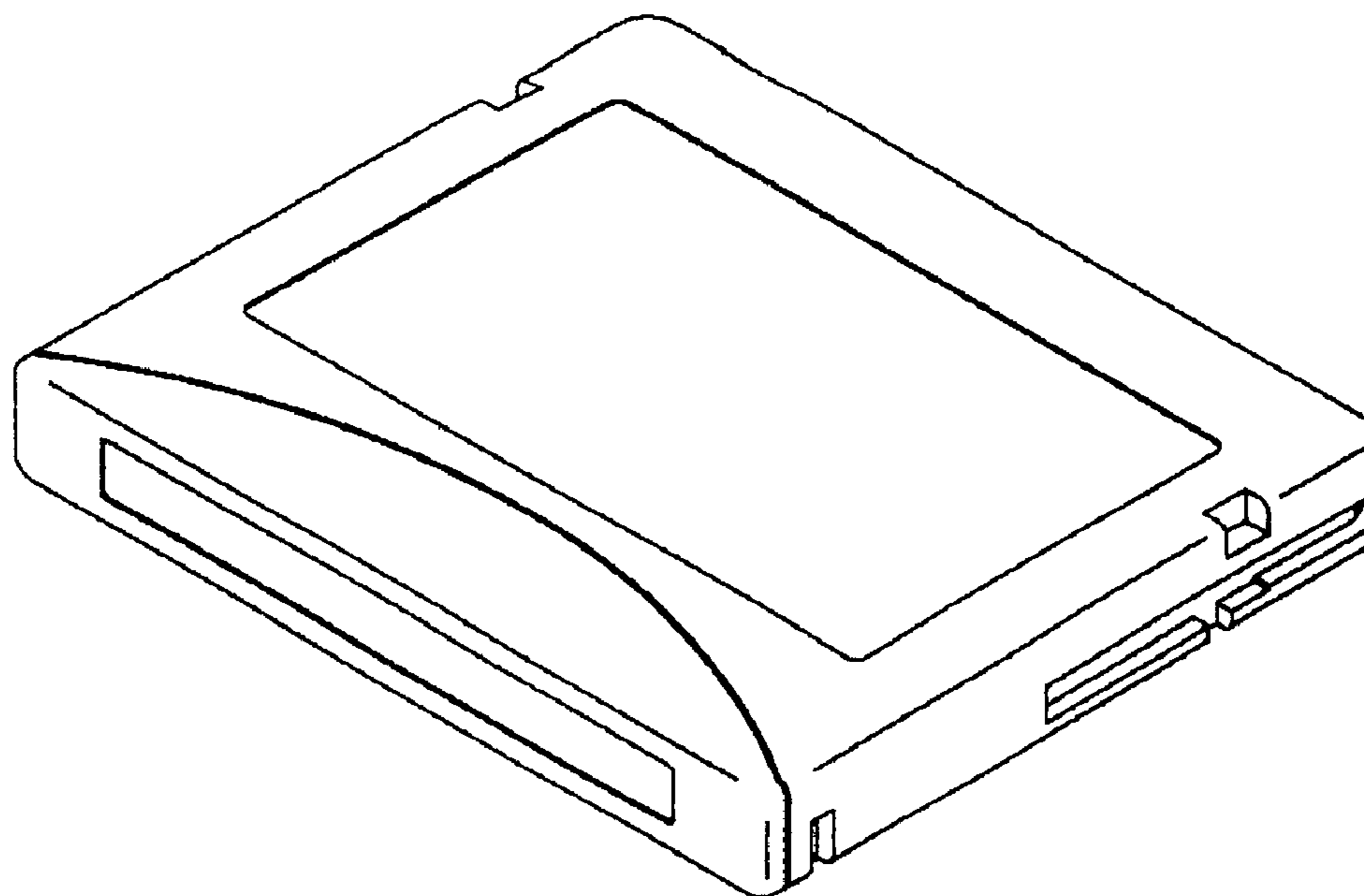
FIG. 1 is a front, right and top perspective view of a housing for a storage device showing our new design; FIG. 2 is a front elevational view of thereof; FIG. 3 is a right side elevational view thereof; FIG. 4 is a left side elevational view thereof; FIG. 5 is a top plan view thereof; FIG. 6 is a bottom plan view thereof; FIG. 7 is a rear elevational view thereof; and, FIG. 8 is a sectional view thereof, taken along line 8—8 of FIG. 2.

(56) **References Cited**

U.S. PATENT DOCUMENTS

D236,900 S * 9/1975 Larsen D14/475
4,608,617 A * 8/1986 Oishi et al. 360/133
5,610,789 A * 3/1997 Miller 360/132
5,653,638 A * 8/1997 Nagata 463/44
5,681,002 A * 10/1997 Kikuchi 242/347
D393,454 S * 4/1998 Cruden et al. D14/475
5,809,520 A * 9/1998 Edwards et al. 711/115
5,868,338 A * 2/1999 Martin et al. 242/348
6,267,678 B1 * 7/2001 Kubo et al. 463/44
D465,786 S * 11/2002 Hoge et al. D14/475

1 Claim, 8 Drawing Sheets



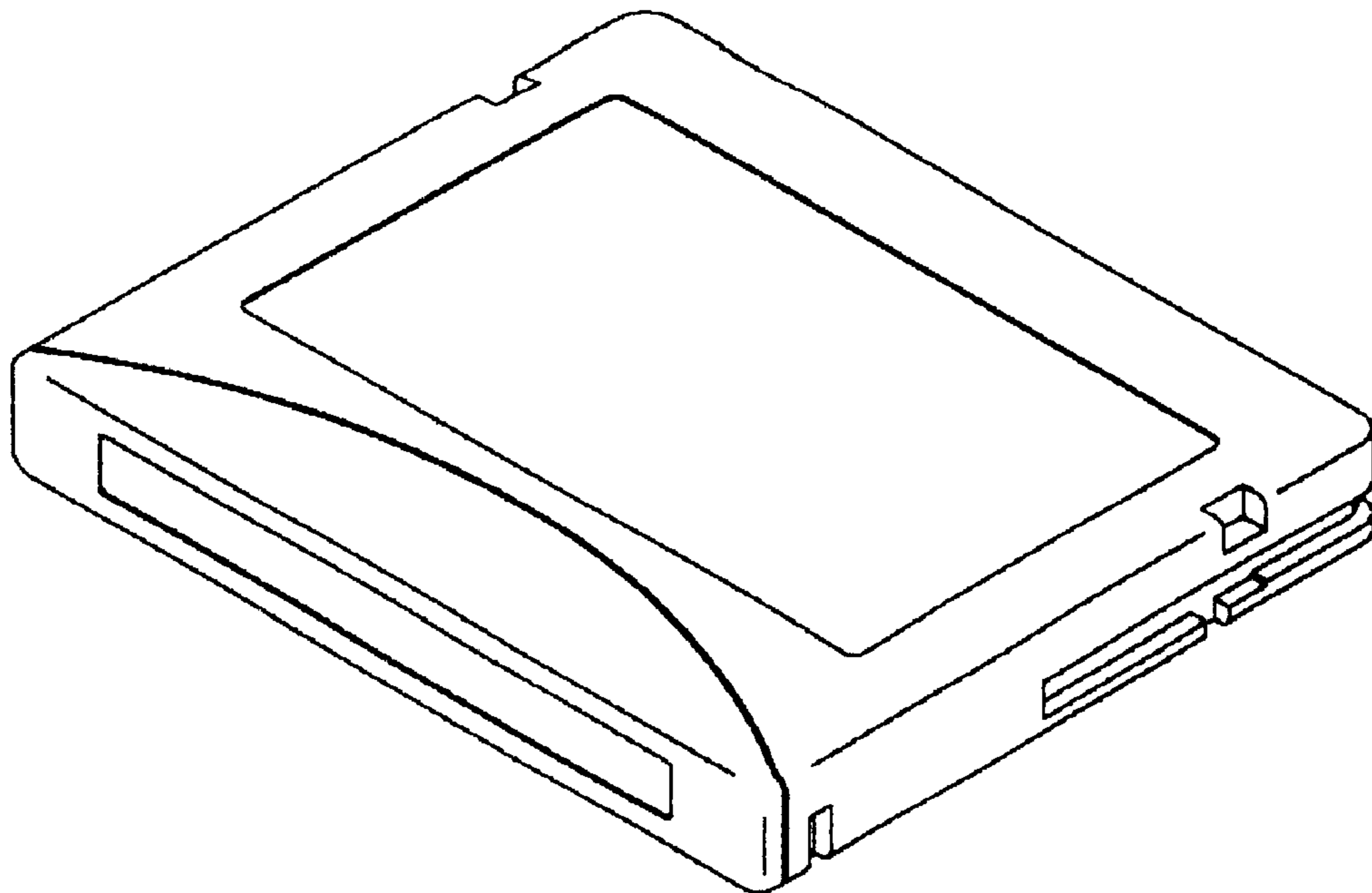
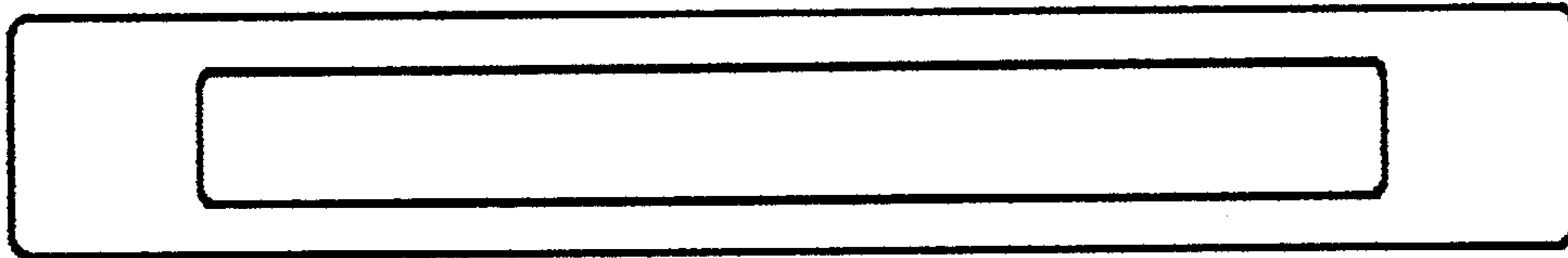


Fig. 1

8 ↖



8 ↖

Fig. 2

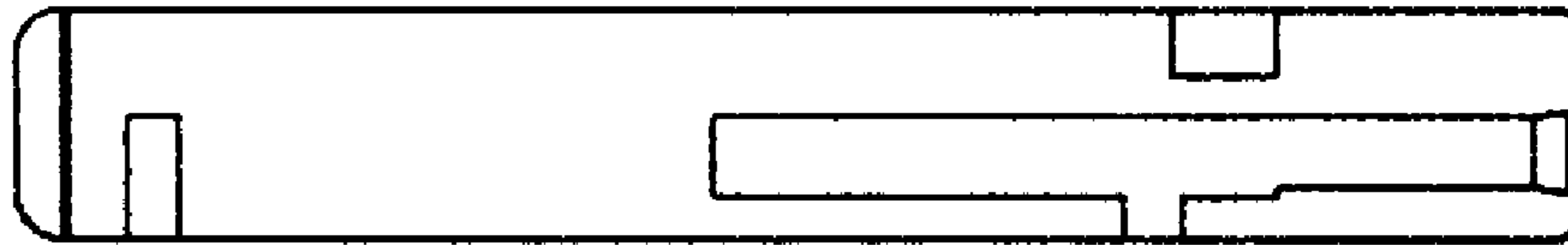


Fig. 3

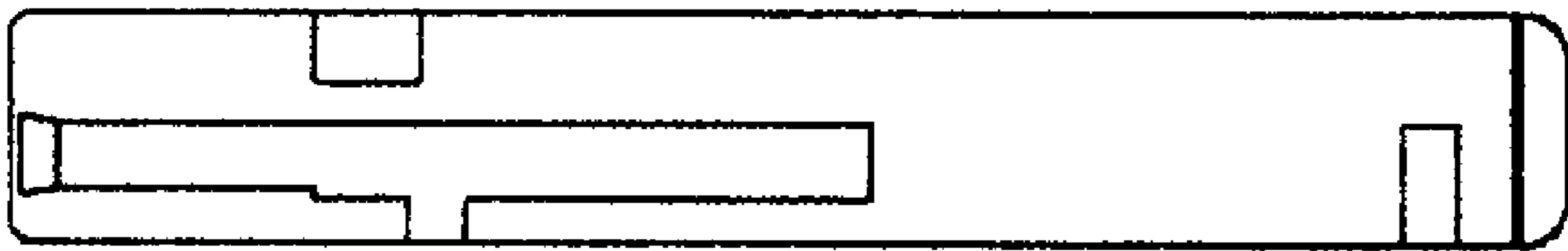


Fig. 4

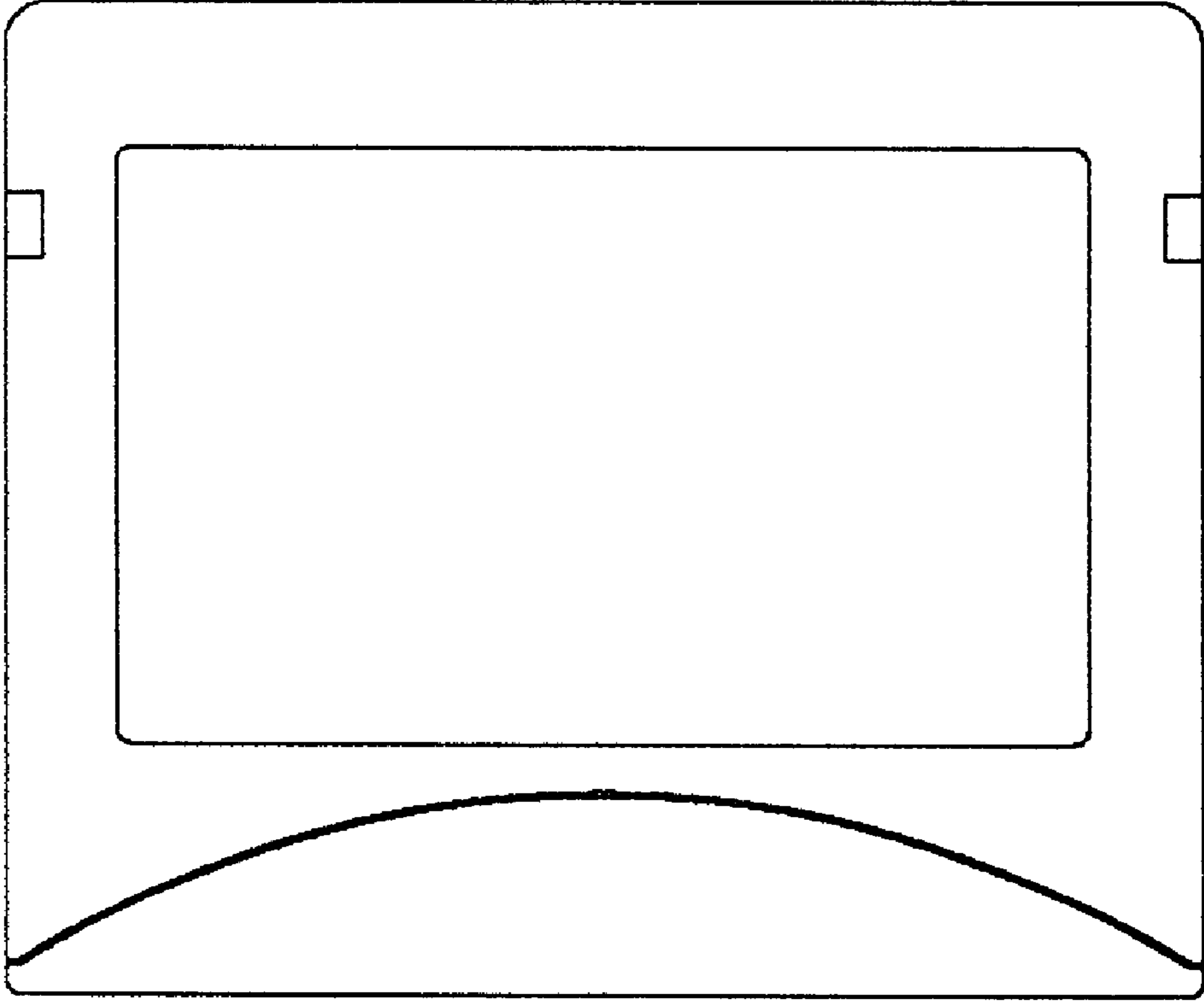


Fig. 5

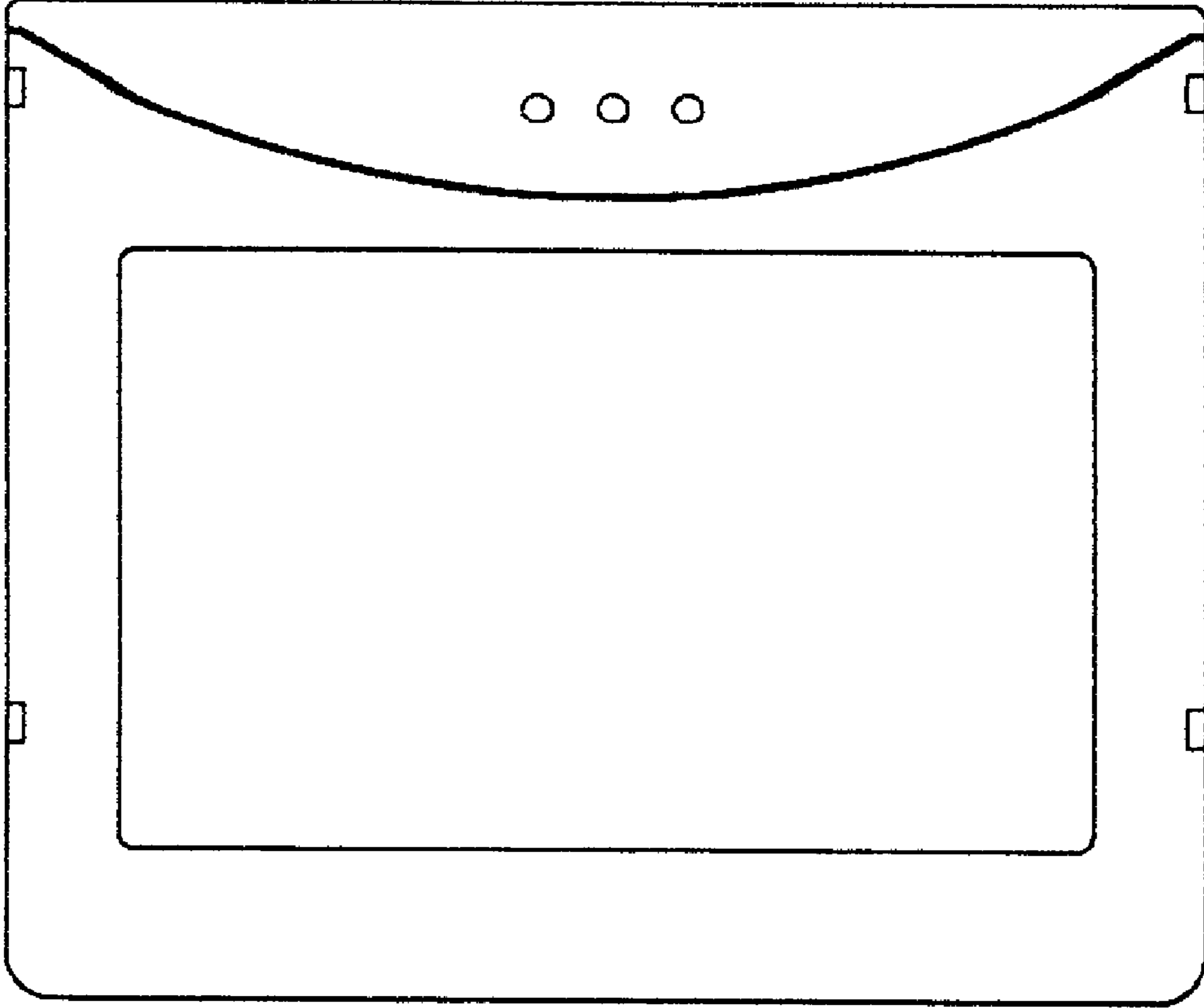


Fig. 6

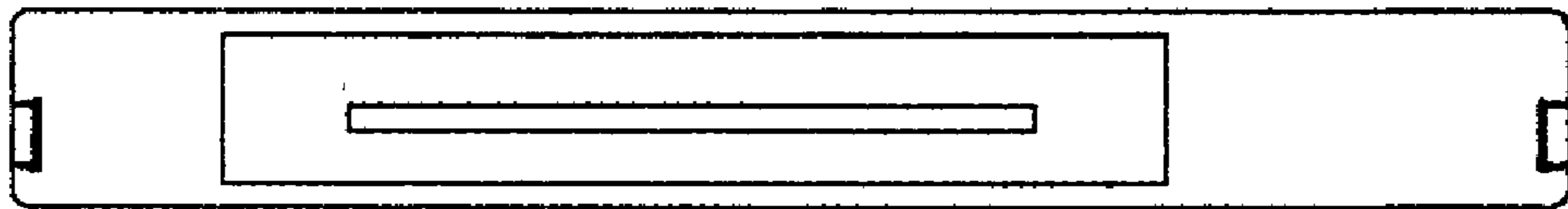


Fig. 7



Fig. 8