



US00D530341S

(12) **United States Design Patent**  
**Maruyama et al.**

(10) **Patent No.:** **US D530,341 S**

(45) **Date of Patent:** **\*\* Oct. 17, 2006**

(54) **HOUSING FOR A STORAGE DEVICE**

(75) Inventors: **Yukinobu Maruyama**, Kokubunji (JP);  
**Keiichi Ochi**, Kanagawa (JP);  
**Masayuki Ohki**, Kokubunji (JP);  
**Tadaaki Tomikawa**, Yokohama (JP)

(73) Assignee: **Hitachi Global Storage Technologies**  
**Netherlands B.V.**, Amsterdam (NL)

(\*\*) Term: **14 Years**

(21) Appl. No.: **29/226,820**

(22) Filed: **Apr. 1, 2005**

(30) **Foreign Application Priority Data**

Oct. 1, 2004 (JP) ..... 2004-029843

(51) **LOC (8) Cl.** ..... **14-03**

(52) **U.S. Cl.** ..... **D14/496; D14/481; D14/475;**  
**D14/435; D21/332**

(58) **Field of Classification Search** ..... **D14/474,**  
**D14/475, 478, 481, 483, 335, 496; D21/332,**  
**D21/333; 463/42-47; 206/307, 308.1; 242/348-348.4;**  
**360/132-134; 369/272, 273**  
See application file for complete search history.

(56) **References Cited**

**U.S. PATENT DOCUMENTS**

D236,900 S \* 9/1975 Larsen ..... D14/475  
4,608,617 A \* 8/1986 Oishi et al. .... 360/133

5,610,789 A \* 3/1997 Miller ..... 360/132  
5,653,638 A \* 8/1997 Nagata ..... 463/44  
5,681,002 A \* 10/1997 Kikuchi ..... 242/347  
D393,454 S \* 4/1998 Cruden et al. .... D14/475  
5,809,520 A \* 9/1998 Edwards et al. .... 711/115  
5,868,338 A \* 2/1999 Martin et al. .... 242/348  
6,267,678 B1 \* 7/2001 Kubo et al. .... 463/44  
D465,786 S \* 11/2002 Hoge et al. .... D14/475  
D474,191 S \* 5/2003 Nakayama ..... D14/475  
D486,154 S \* 2/2004 Nishio et al. .... D14/474  
D491,564 S \* 6/2004 Chaney et al. .... D14/435

\* cited by examiner

*Primary Examiner*—Prabhakar Deshmukh

(74) *Attorney, Agent, or Firm*—Rambod Nader

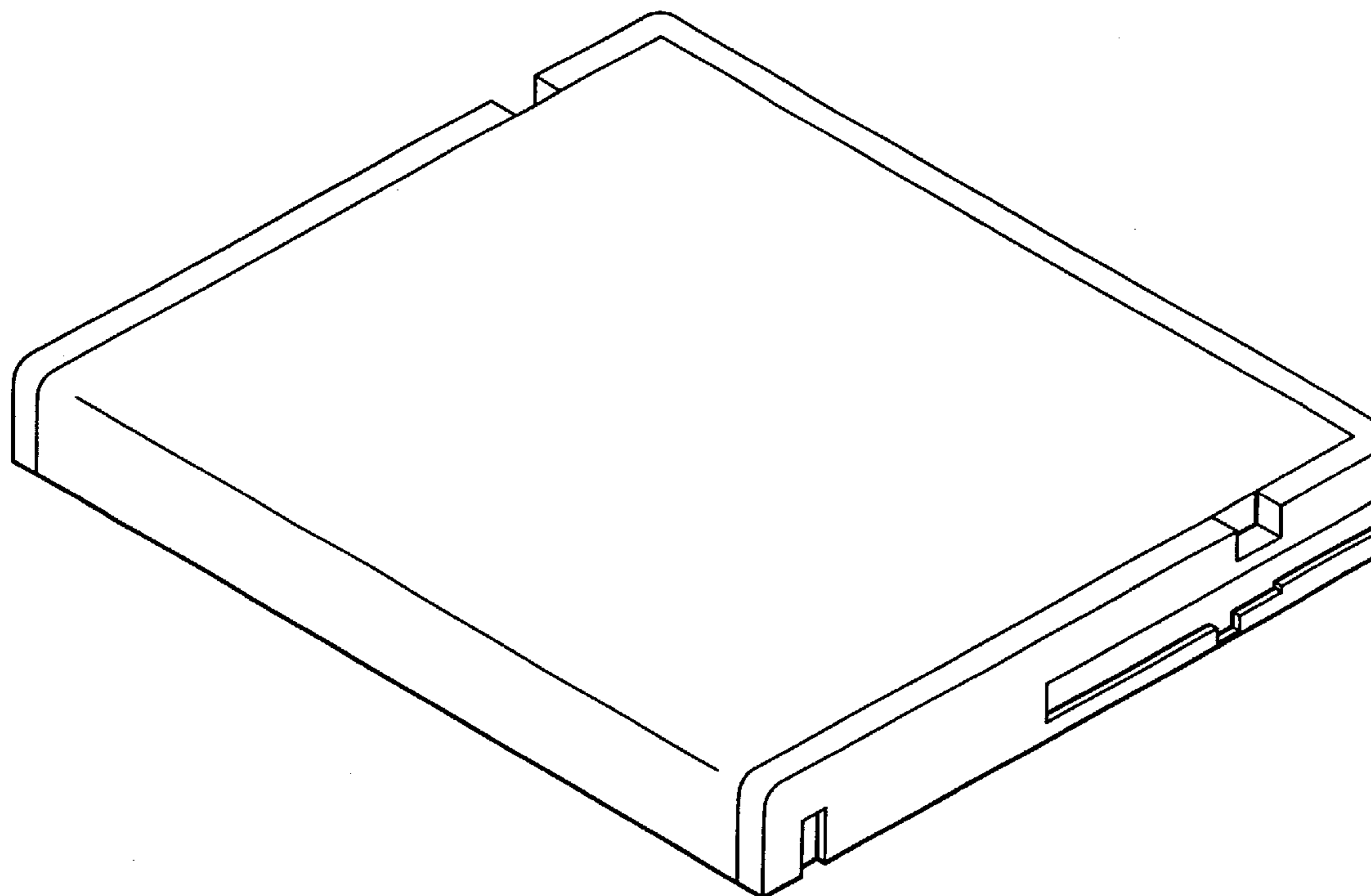
(57) **CLAIM**

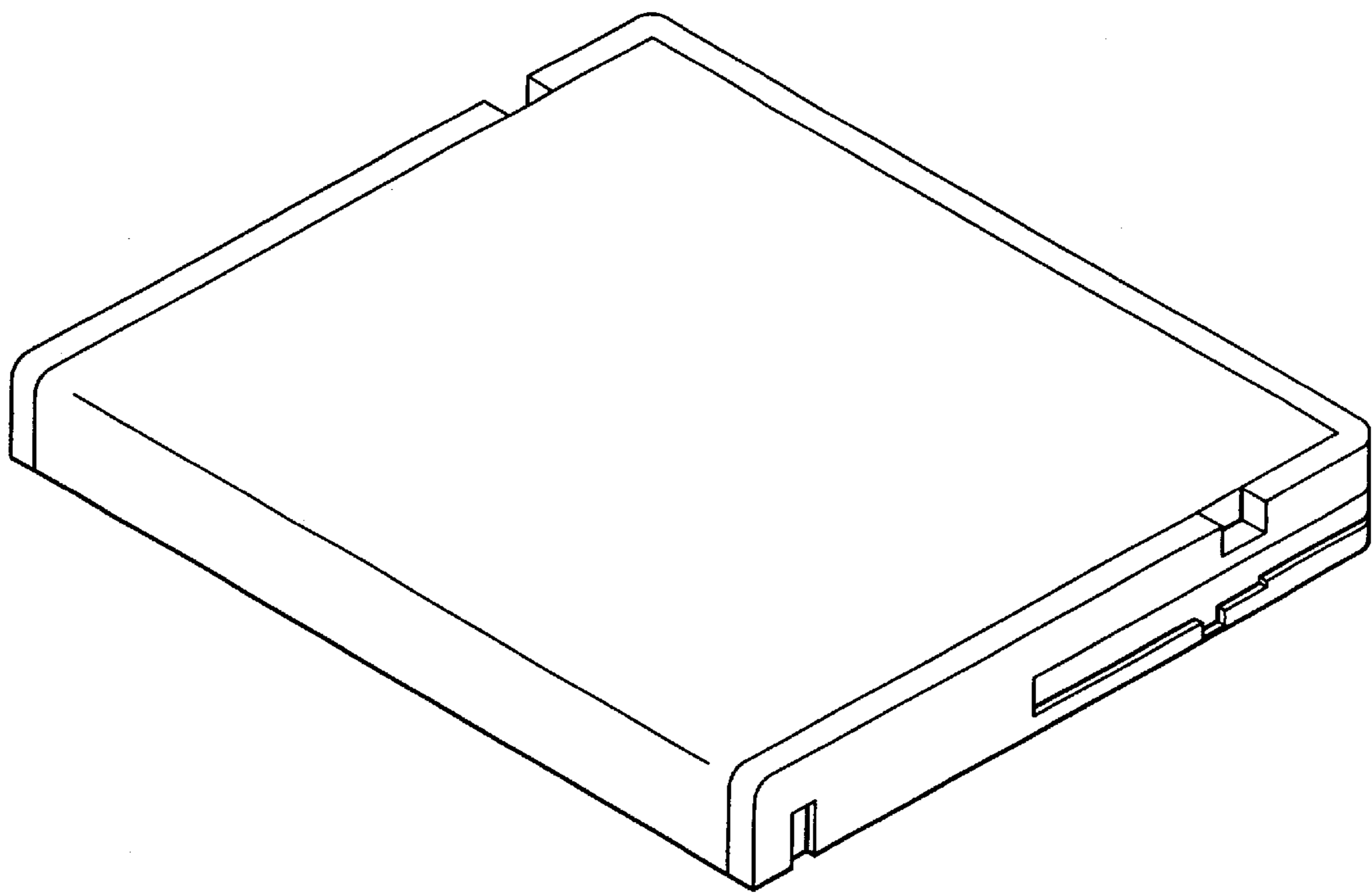
The ornamental design for a housing for a storage device, as shown.

**DESCRIPTION**

FIG. 1 is a front, right and top perspective view of a housing for a storage device showing our new design;  
FIG. 2 is a top plan view thereof;  
FIG. 3 is a right side elevational view thereof;  
FIG. 4 is a left side elevational view thereof;  
FIG. 5 is a rear elevational view thereof;  
FIG. 6 is a front elevational view thereof;  
FIG. 7 is a bottom plan view thereof; and,  
FIG. 8 is a sectional view thereof, taken along line 8—8 of FIG. 2.

**1 Claim, 8 Drawing Sheets**





*FIG. 1*

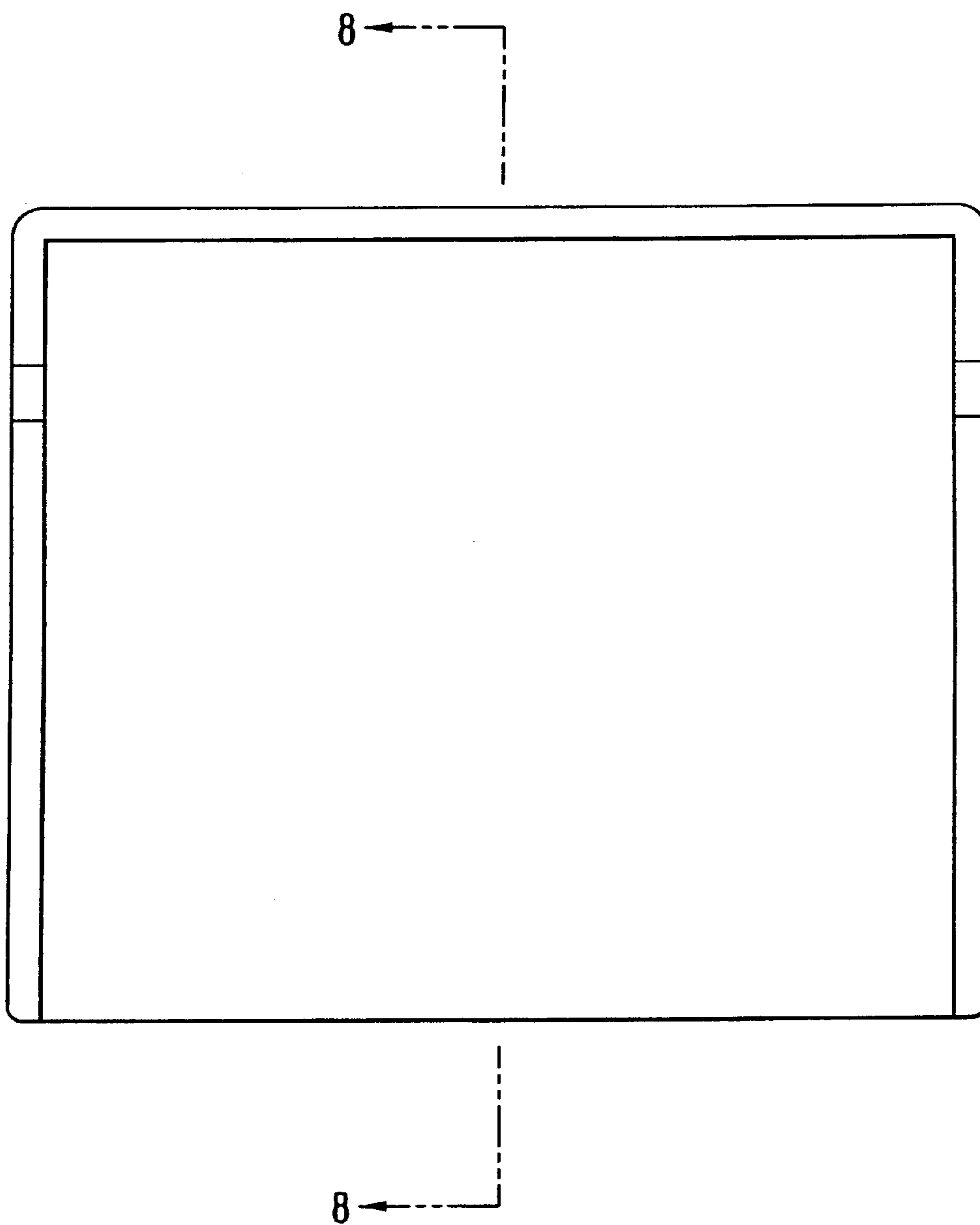
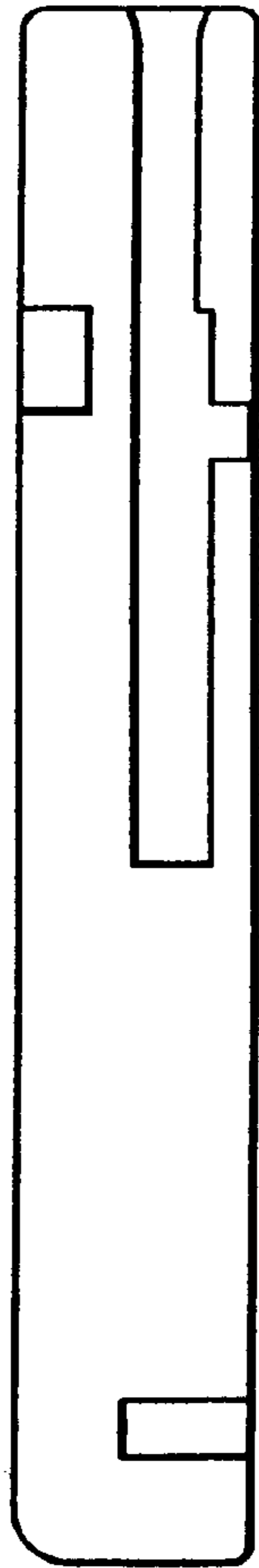
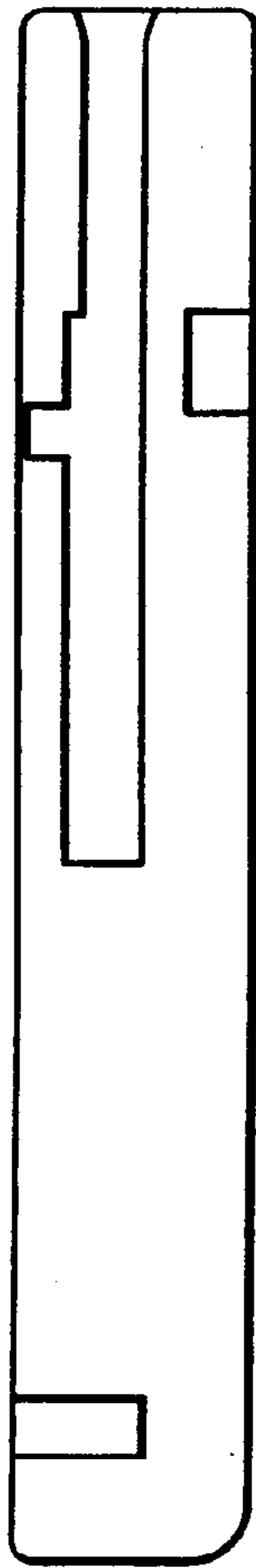


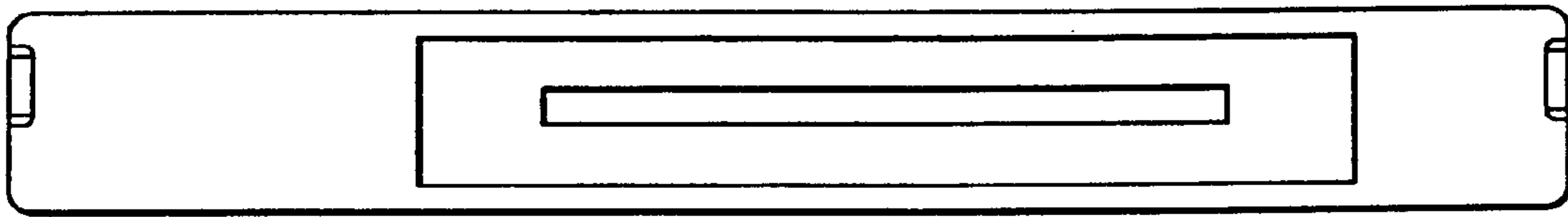
FIG. 2



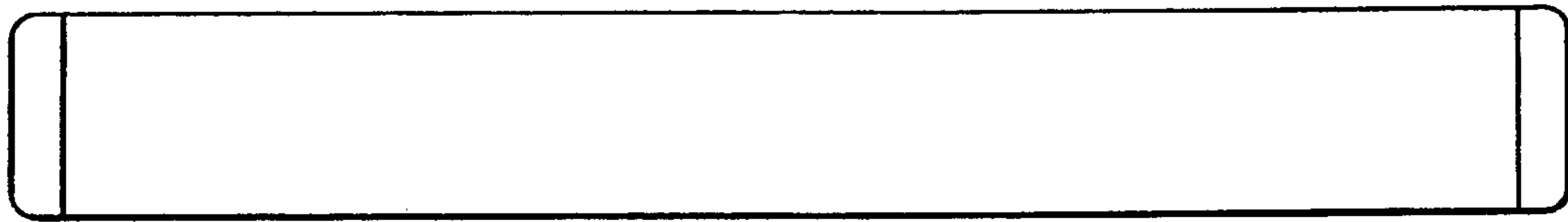
*FIG. 3*



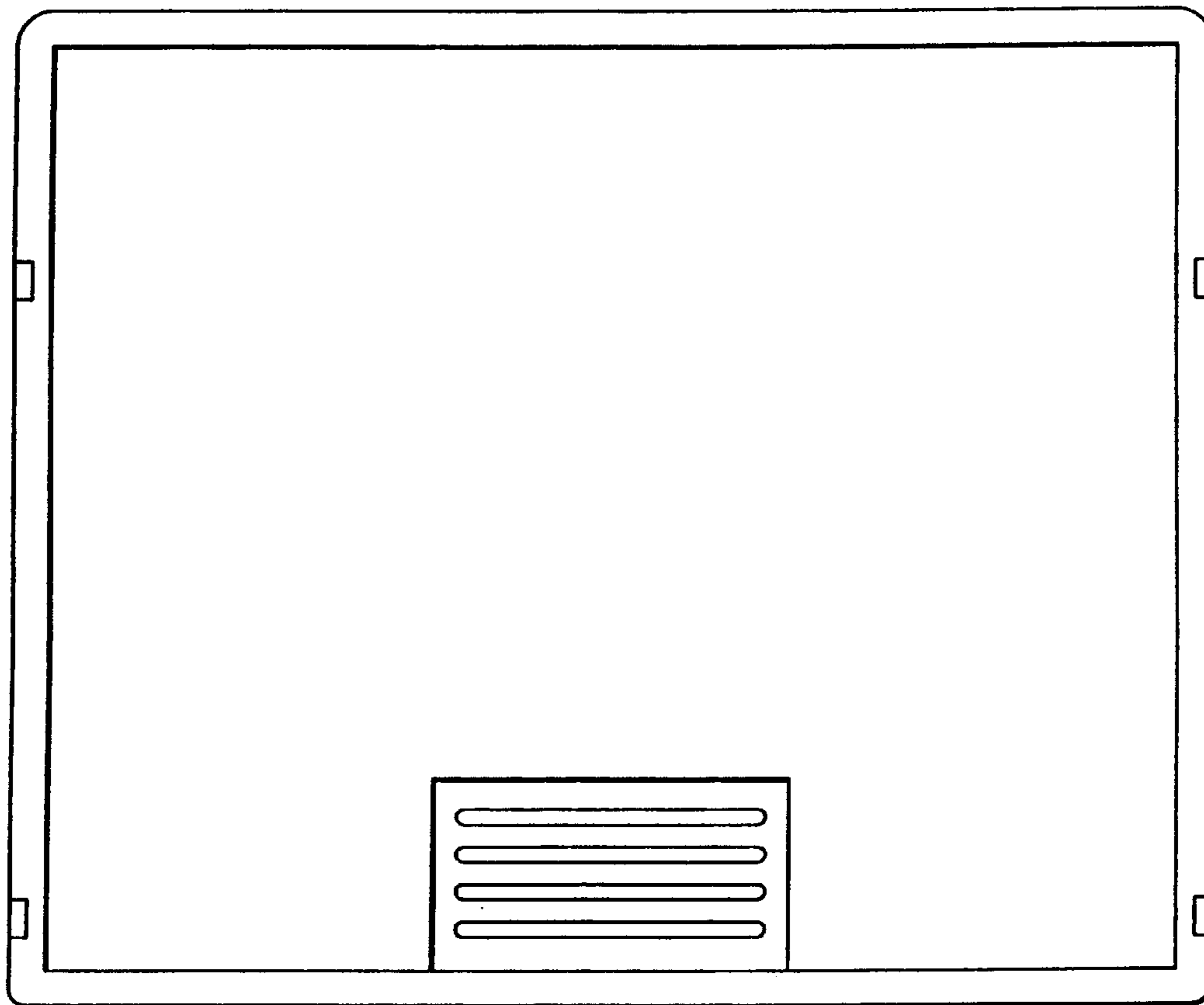
*FIG. 4*



*FIG. 5*

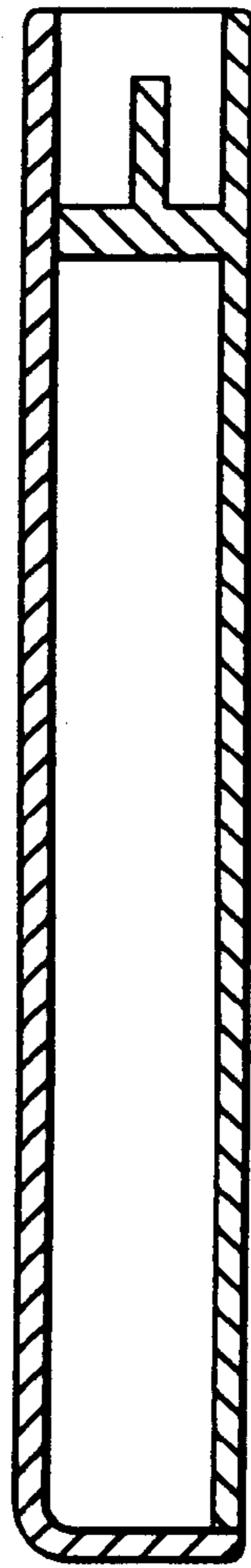


*FIG. 6*



*FIG. 7*





*FIG. 8*