



US00D530333S

(12) **United States Design Patent**
Richter

(10) **Patent No.:** **US D530,333 S**

(45) **Date of Patent:** **** Oct. 17, 2006**

(54) **ARTICLE SUPPORT DEVICE**

(76) **Inventor:** **Herbert Richter**, Drosselweg 8, 75331 Engelbrand (DE)

(**) **Term:** **14 Years**

(21) **Appl. No.:** **29/198,881**

(22) **Filed:** **Feb. 3, 2004**

(51) **LOC (8) Cl.** **14-03**

(52) **U.S. Cl.** **D14/447; D14/251; D14/253**

(58) **Field of Classification Search** D14/146,
D14/224, 251, 252, 253, 434, 447; D6/553;
D8/350; D12/400, 415; D13/108, 177; D16/242;
248/160, 205.8, 206.2, 274.1, 371, 917; 379/454,
379/455; 455/575.1, 575.2, 575.6, 575.9,
455/90.3

See application file for complete search history.

(56) **References Cited**

U.S. PATENT DOCUMENTS

1,418,640	A	*	6/1922	Gauriat	352/242
D269,945	S	*	8/1983	Carney	D8/355
D271,824	S	*	12/1983	Massaro	D10/46
D291,316	S	*	8/1987	Johnston et al.	D15/451
D323,085	S	*	1/1992	Konkel	D6/466
D332,789	S	*	1/1993	Rak	D14/251
D337,333	S	*	7/1993	Turk	D14/251
5,740,995	A	*	4/1998	Richter	248/220.21
D395,892	S	*	7/1998	Solomon	D14/224
D398,796	S	*	9/1998	Fauchald et al.	D6/512
D409,018	S	*	5/1999	Deuschle	D6/466
D413,897	S	*	9/1999	Richter	D14/253
5,996,950	A	*	12/1999	Richter	248/205.5
D419,415	S	*	1/2000	Richter	D8/71
D423,821	S	*	5/2000	Crump	D6/466

D454,136	S	*	3/2002	Deuschle	D14/447
D456,415	S	*	4/2002	Deuschle	D14/447
6,669,155	B1	*	12/2003	Ron	248/276.1
D487,270	S	*	3/2004	Richter	D14/447
6,913,232	B1	*	7/2005	Richter	248/205.8
2003/0122051	A1	*	7/2003	Belford	248/371
2003/0205651	A1	*	11/2003	Richter	248/231.81
2004/0011932	A1	*	1/2004	Duff	248/157
2004/0256529	A1	*	12/2004	Richter	248/309.1
2005/0045794	A1	*	3/2005	Richter	248/371
2005/0051692	A1	*	3/2005	Jung et al.	248/371
2006/0016945	A1	*	1/2006	Taylor	248/188.5

* cited by examiner

Primary Examiner—Jeffrey D. Asch

Assistant Examiner—Carla Jobe Wright

(74) *Attorney, Agent, or Firm*—Klaus J. Bach

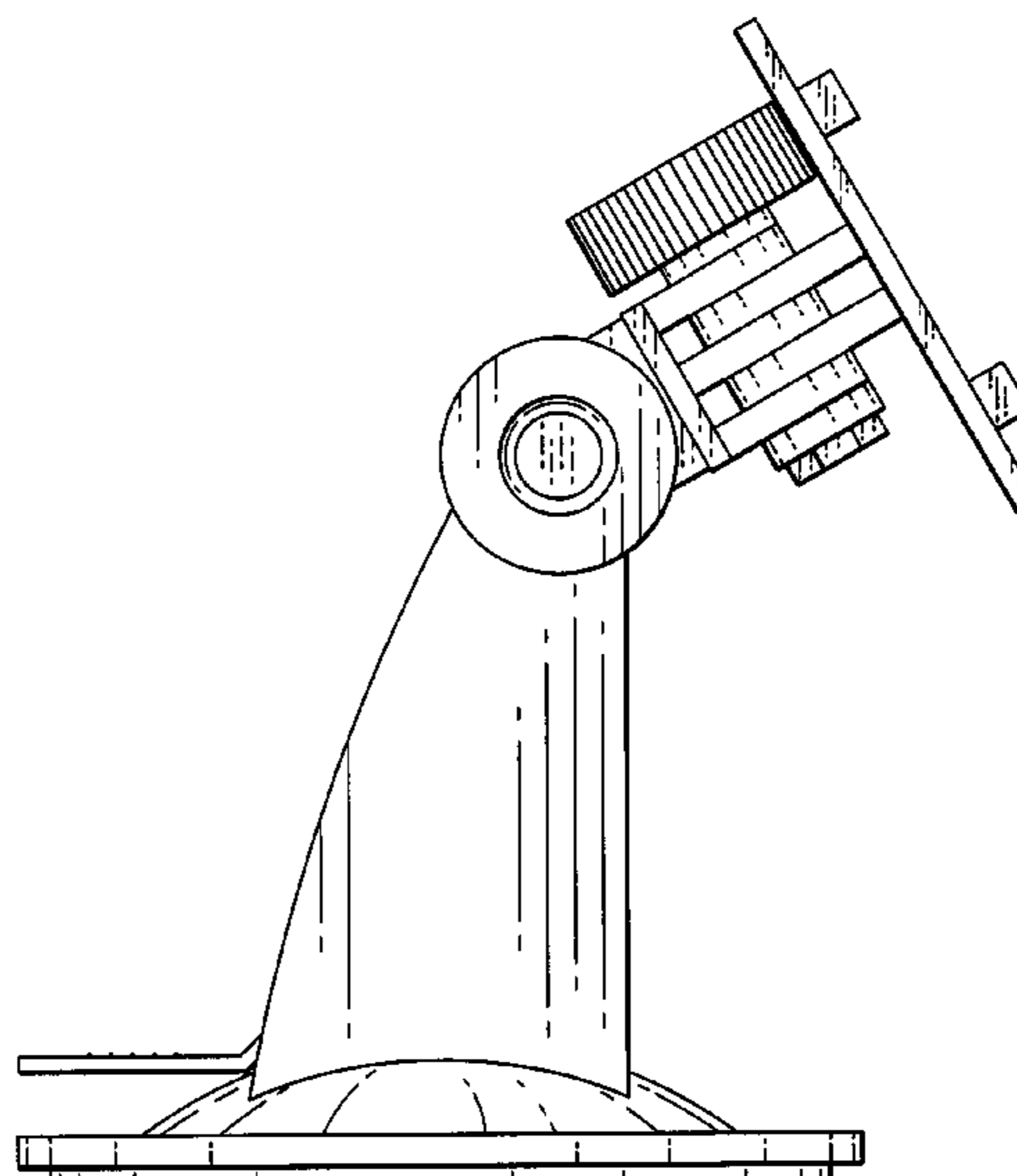
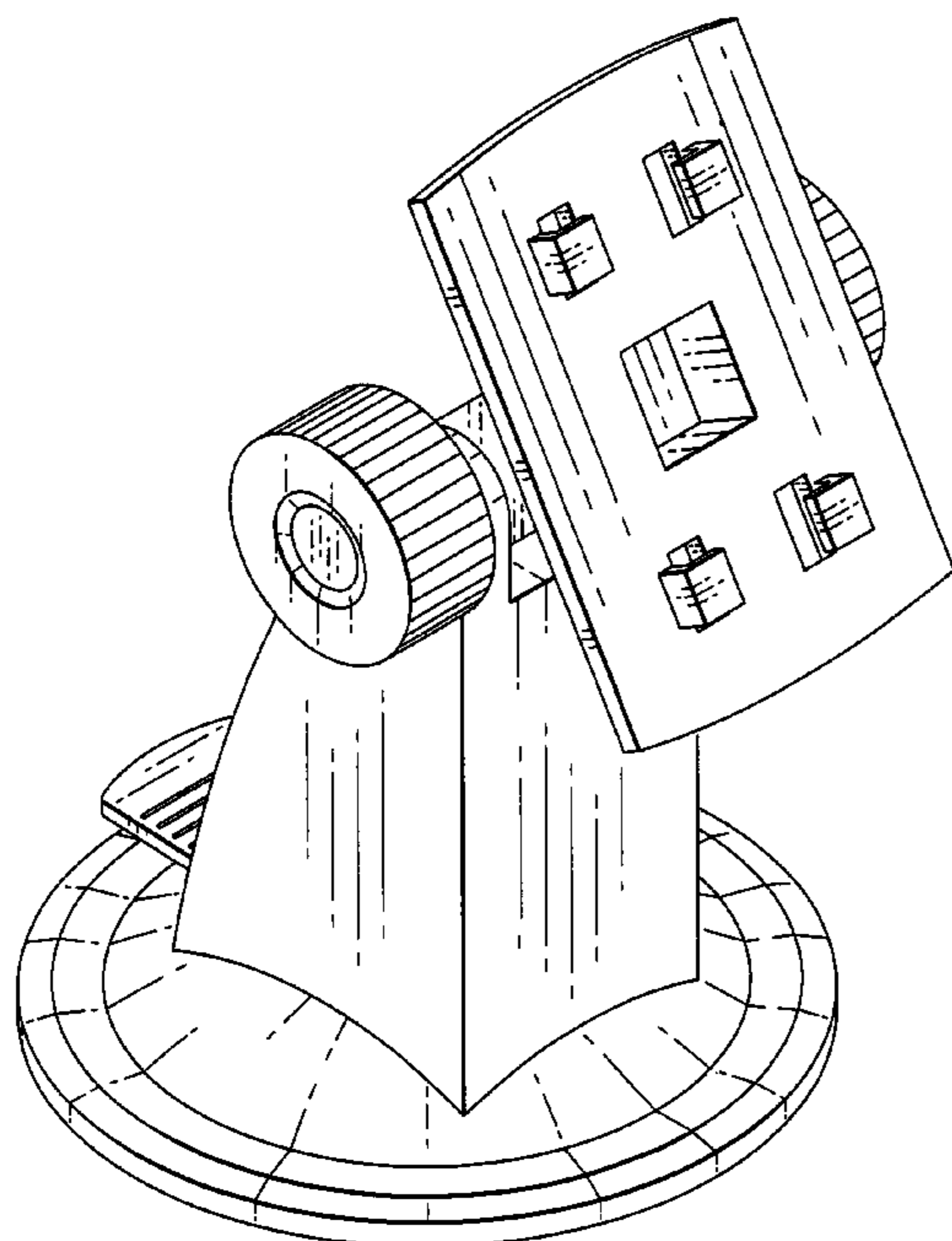
(57) **CLAIM**

The ornamental design for an article support device, as shown and described.

DESCRIPTION

FIG. 1 is a perspective view of an article support device, FIG. 2 is a left side view of the article support device shown in FIG. 1, a right side view being a mirror-reversed image of the left side view, FIG. 3 is a front view of the article support device shown in FIG. 1, FIG. 4 is a top end view of the article support device as shown in FIG. 1, FIG. 5 is a bottom end view of the article support device as shown in FIG. 1; and, FIG. 6 is a rear view of the article support device shown in FIG. 1.

1 Claim, 5 Drawing Sheets



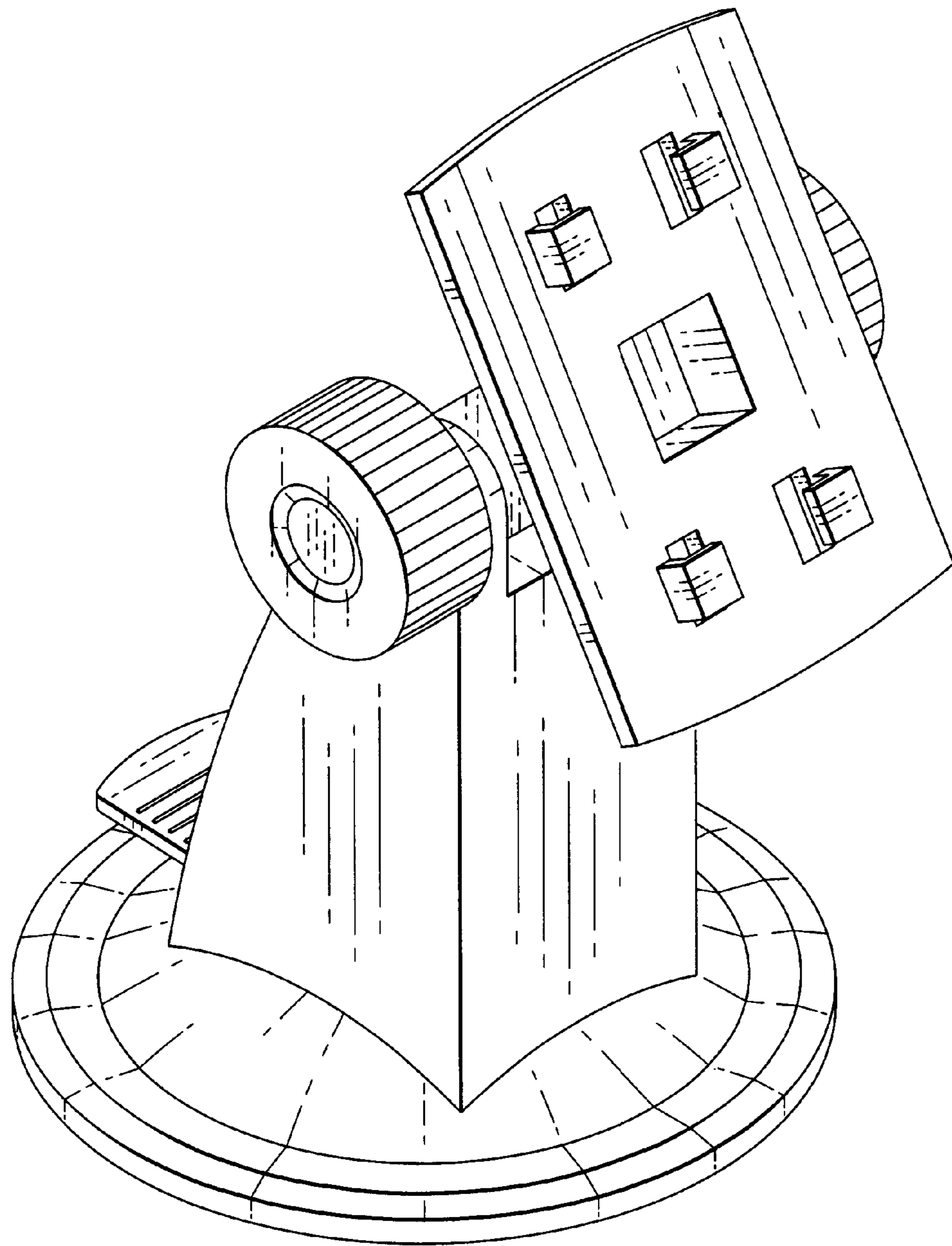


FIG. 1

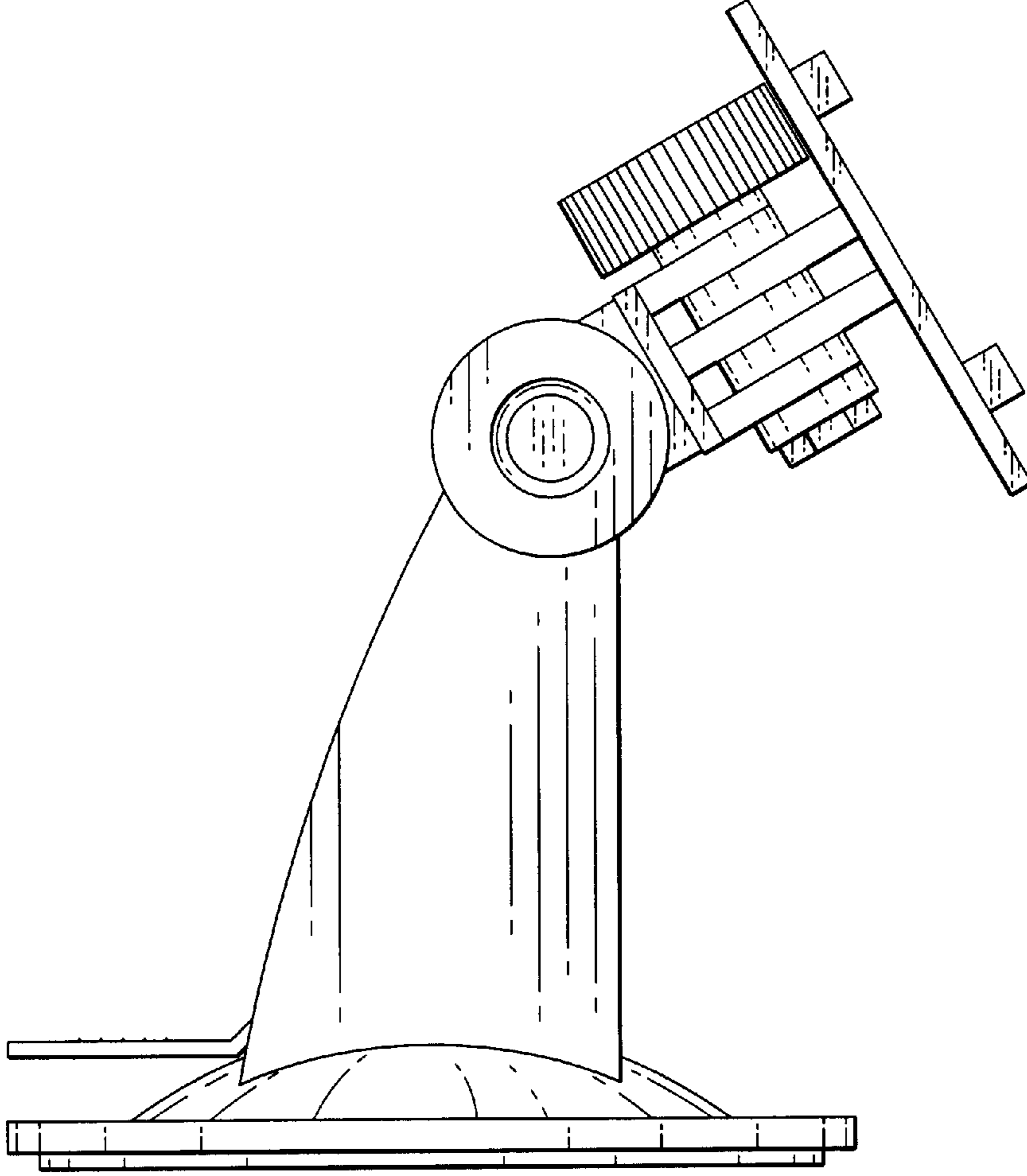


FIG. 2

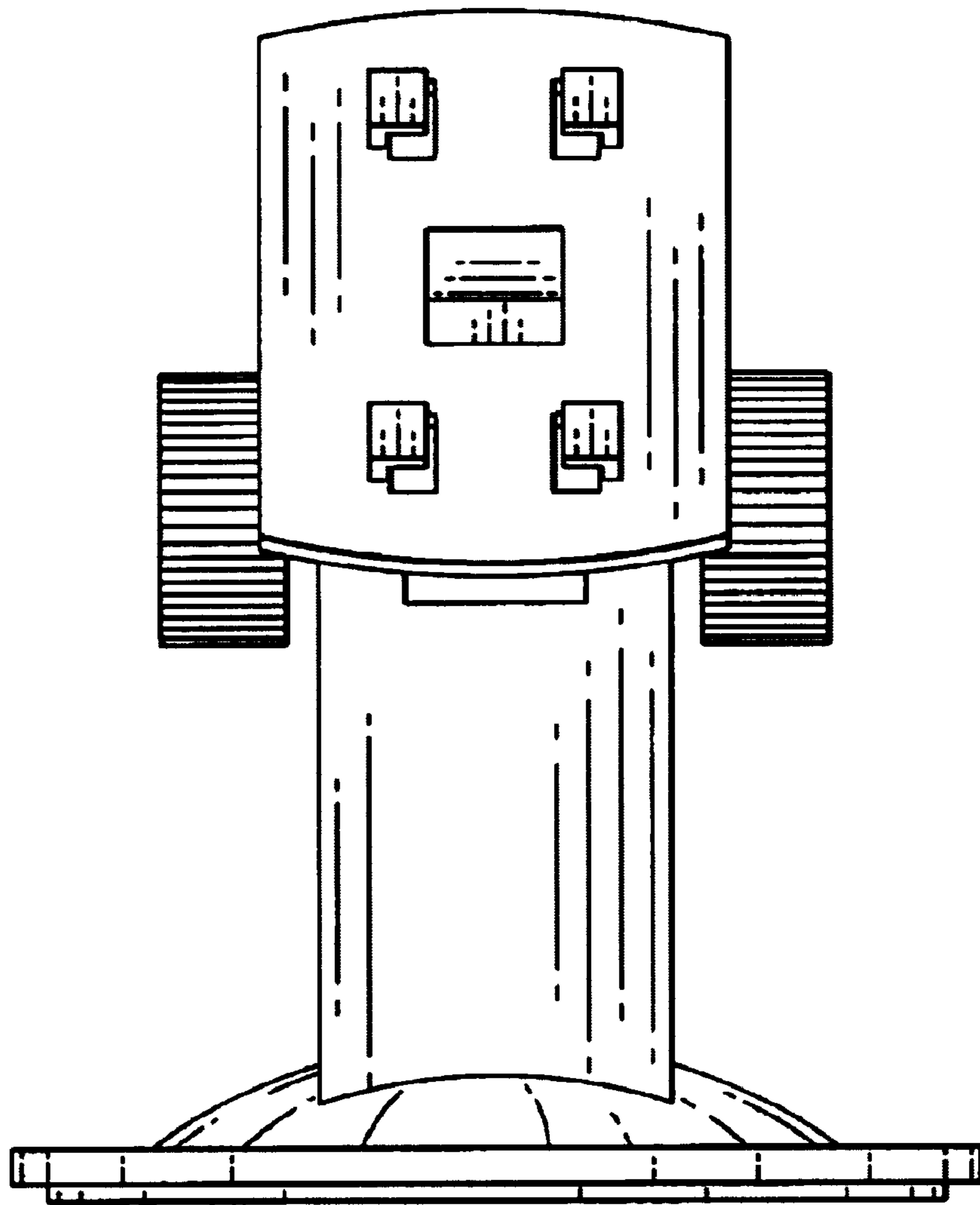


FIG. 3

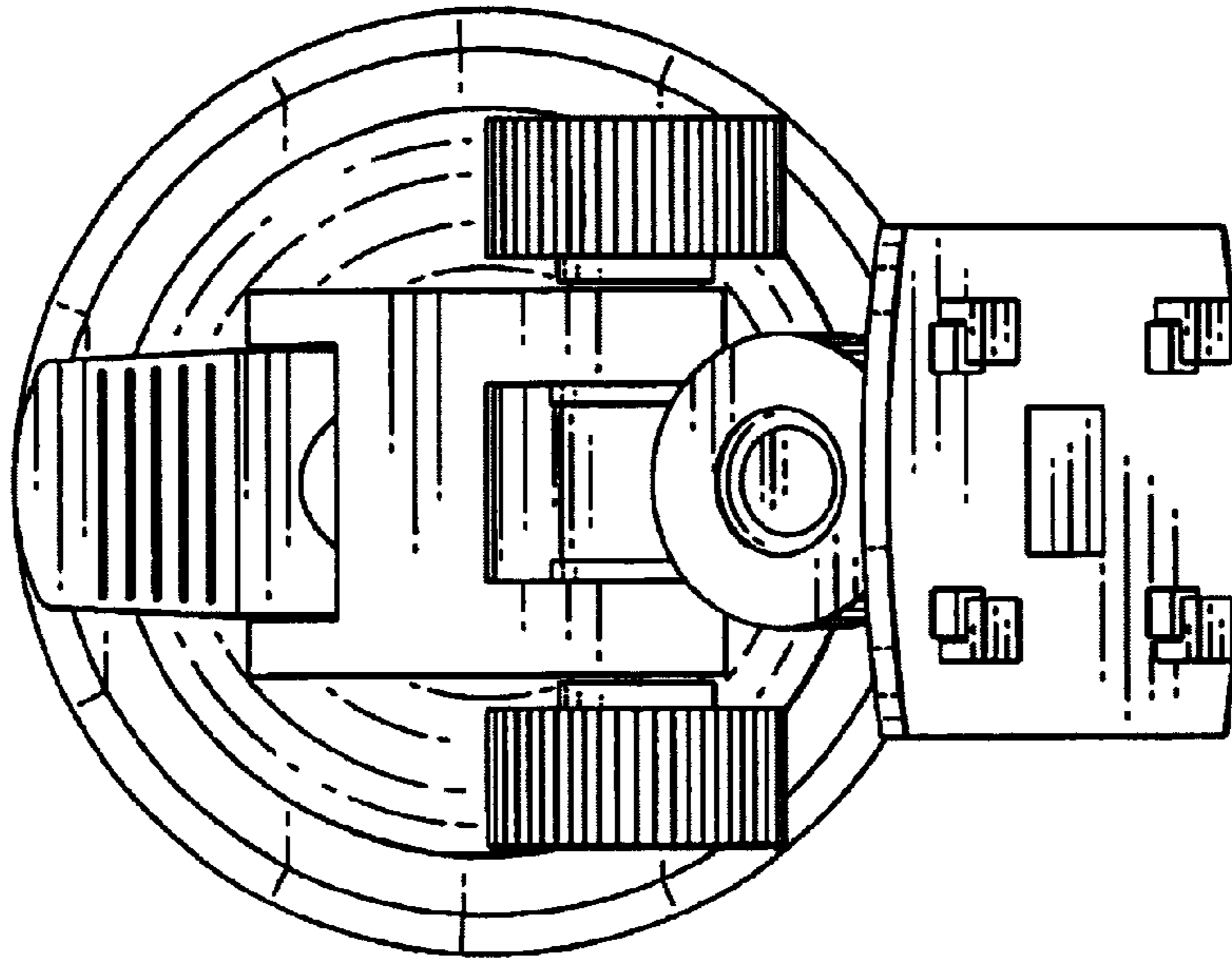


FIG. 4

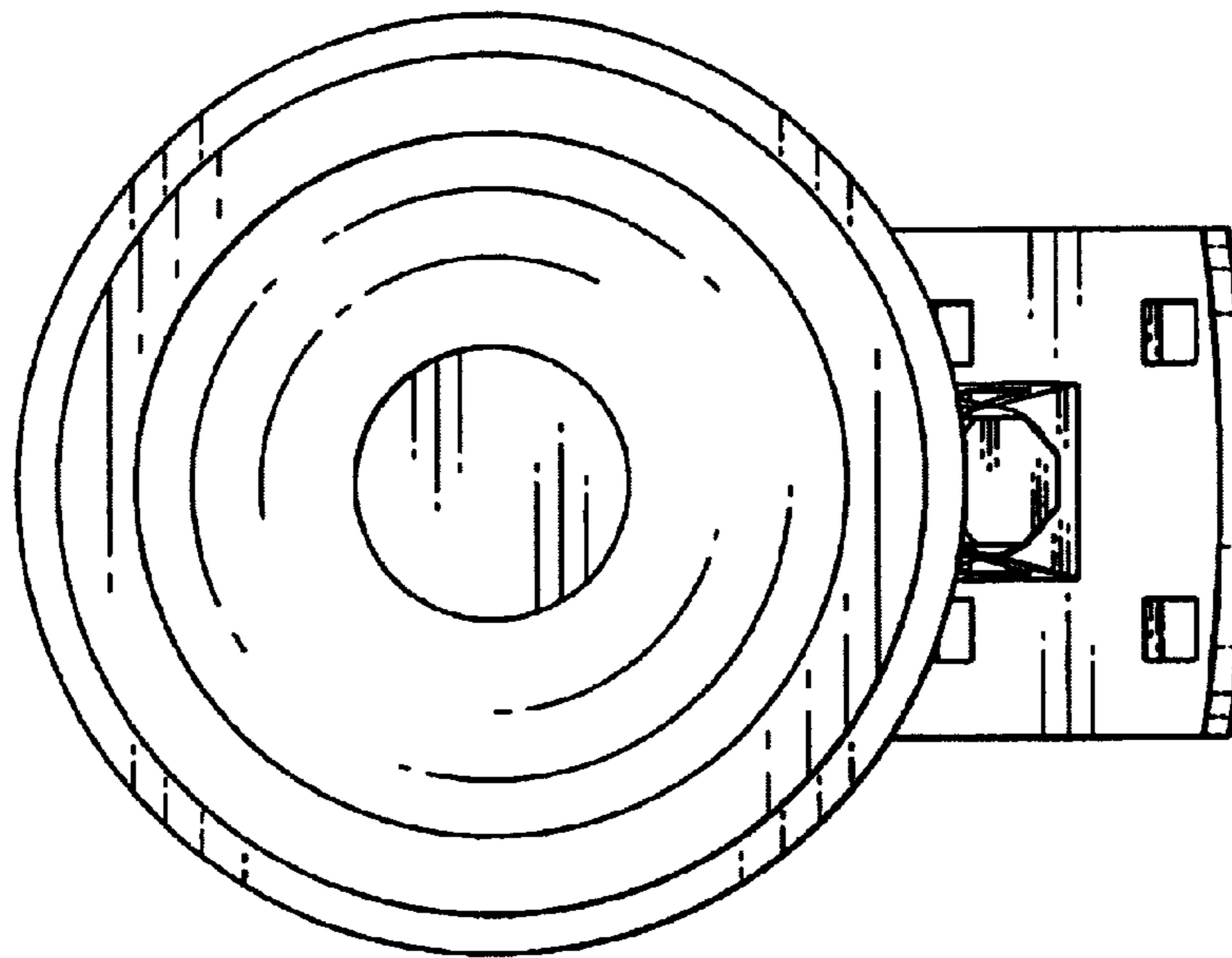


FIG. 5

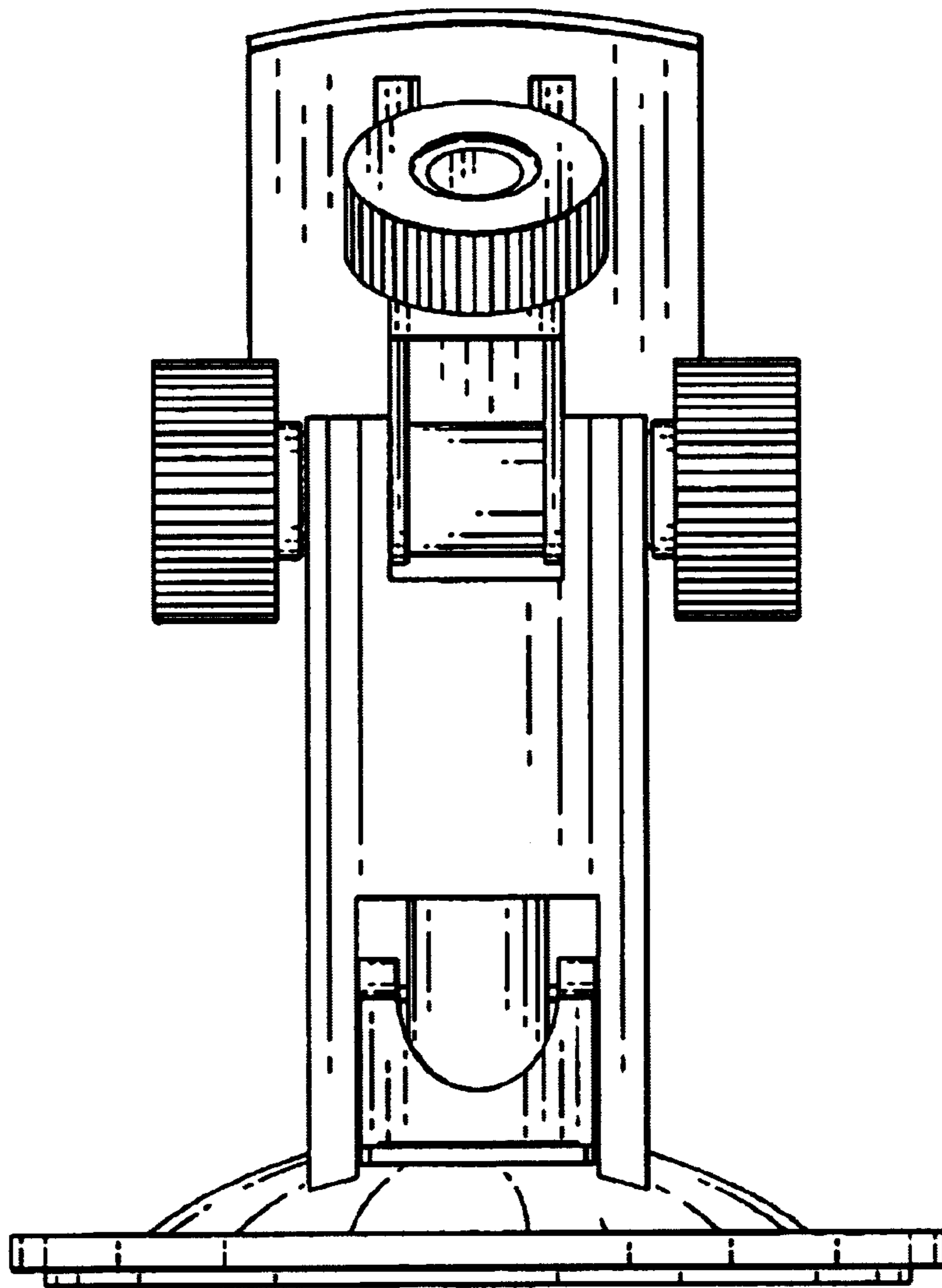


FIG. 6