



US00D530331S

(12) **United States Design Patent** (10) **Patent No.:** **US D530,331 S**
Yao (45) **Date of Patent:** **** Oct. 17, 2006**

(54) **MEMORY CARD**

(76) Inventor: **Li-Ho Yao**, 4F, No. 99, Tungan St., Taipei (TW)

(**) Term: **14 Years**

(21) Appl. No.: **29/215,697**

(22) Filed: **Oct. 25, 2004**

(51) **LOC (8) Cl.** **14-02**

(52) **U.S. Cl.** **D14/436**

(58) **Field of Classification Search** D14/432-38;
361/736-7, 686; D13/182, 184; 40/124.01;
235/487-95, 441-3, 375; 283/900, 904; 257/378-9;
174/52.1; 439/135, 140, 76.1; D19/9, 10
See application file for complete search history.

(56) **References Cited**

U.S. PATENT DOCUMENTS

D474,773 S	*	5/2003	Kondo	D14/435
D478,087 S	*	8/2003	Aldridge	D14/433
D488,475 S	*	4/2004	Yu et al.	D14/436
D491,951 S	*	6/2004	Yu et al.	D14/436
D492,688 S	*	7/2004	Wallace et al.	D14/437
D493,466 S	*	7/2004	Yu et al.	D14/436
D493,798 S	*	8/2004	Yu et al.	D14/436
D494,180 S	*	8/2004	Taniguchi	D14/436
D505,959 S	*	6/2005	Yamada et al.	D14/436
D510,935 S	*	10/2005	Yamada et al.	D14/436

* cited by examiner

Primary Examiner—M. H. Tung

(74) *Attorney, Agent, or Firm*—Troxell Law Office, PLLC

(57) **CLAIM**

The ornamental design for a memory card, as shown.

DESCRIPTION

FIG. 1 is a top perspective view of a first embodiment of the memory card showing my new design;

FIG. 2 is a bottom perspective view thereof;

FIG. 3 is a top view of the memory card in FIGS. 1 and 2;

FIG. 4 is a bottom view of the memory card in FIGS. 1 and 2;

FIG. 5 is a side view of the memory card in FIGS. 1 and 2;

FIG. 6 is a rear view of the memory card in FIGS. 1 and 2;

FIG. 7 is a front view of the memory card in FIGS. 1 and 2;

FIG. 8 is a top perspective view of a second embodiment of the memory card showing my new design;

FIG. 9 is a bottom perspective view thereof;

FIG. 10 is a top view of the memory card in FIGS. 8 and 9;

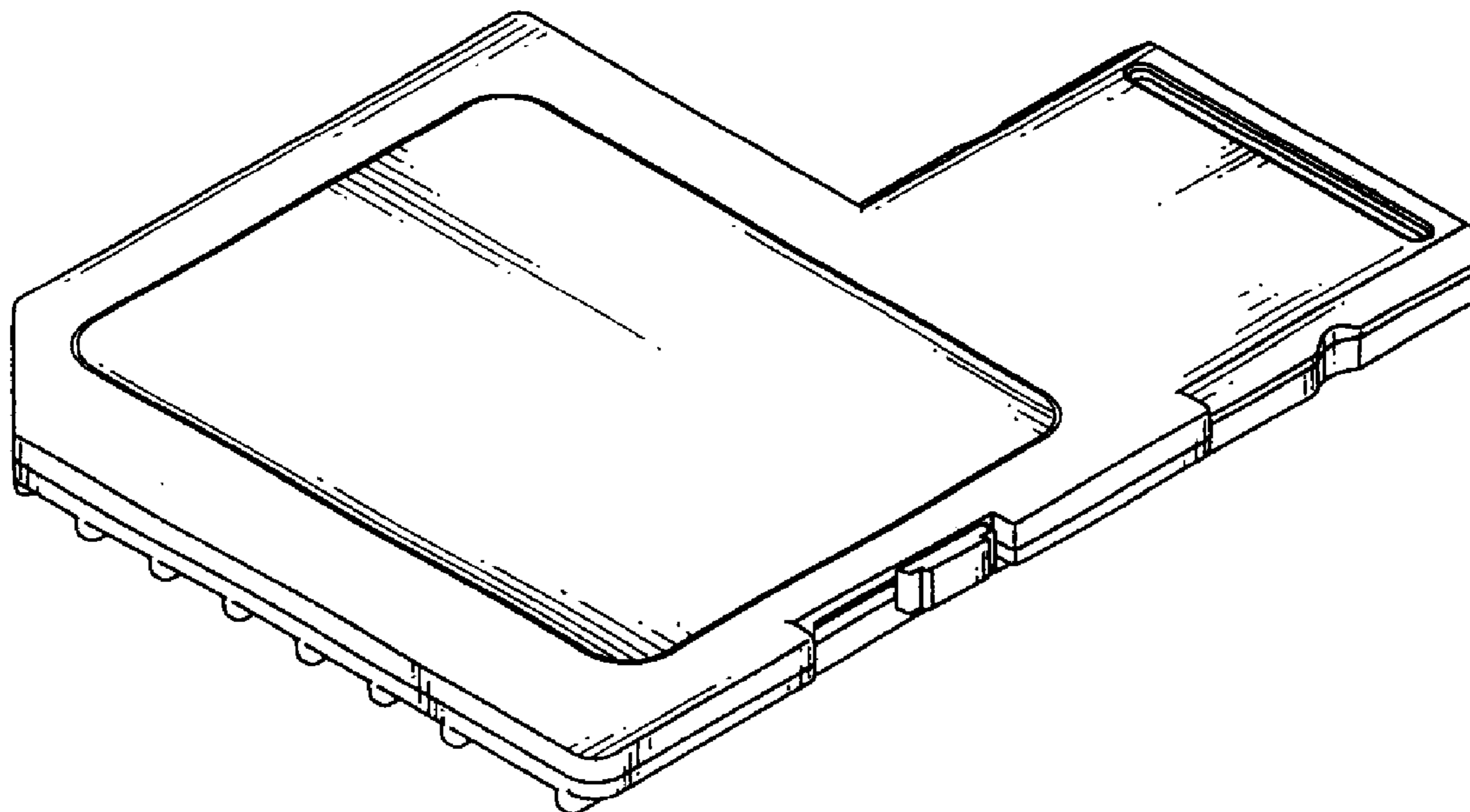
FIG. 11 is a bottom view of the memory card in FIGS. 8 and 9;

FIG. 12 is a side view of the memory card in FIGS. 8 and 9;

FIG. 13 is a rear view of the memory card in FIGS. 8 and 9; and,

FIG. 14 is a front view of the memory card in FIGS. 8 and 9.

1 Claim, 10 Drawing Sheets



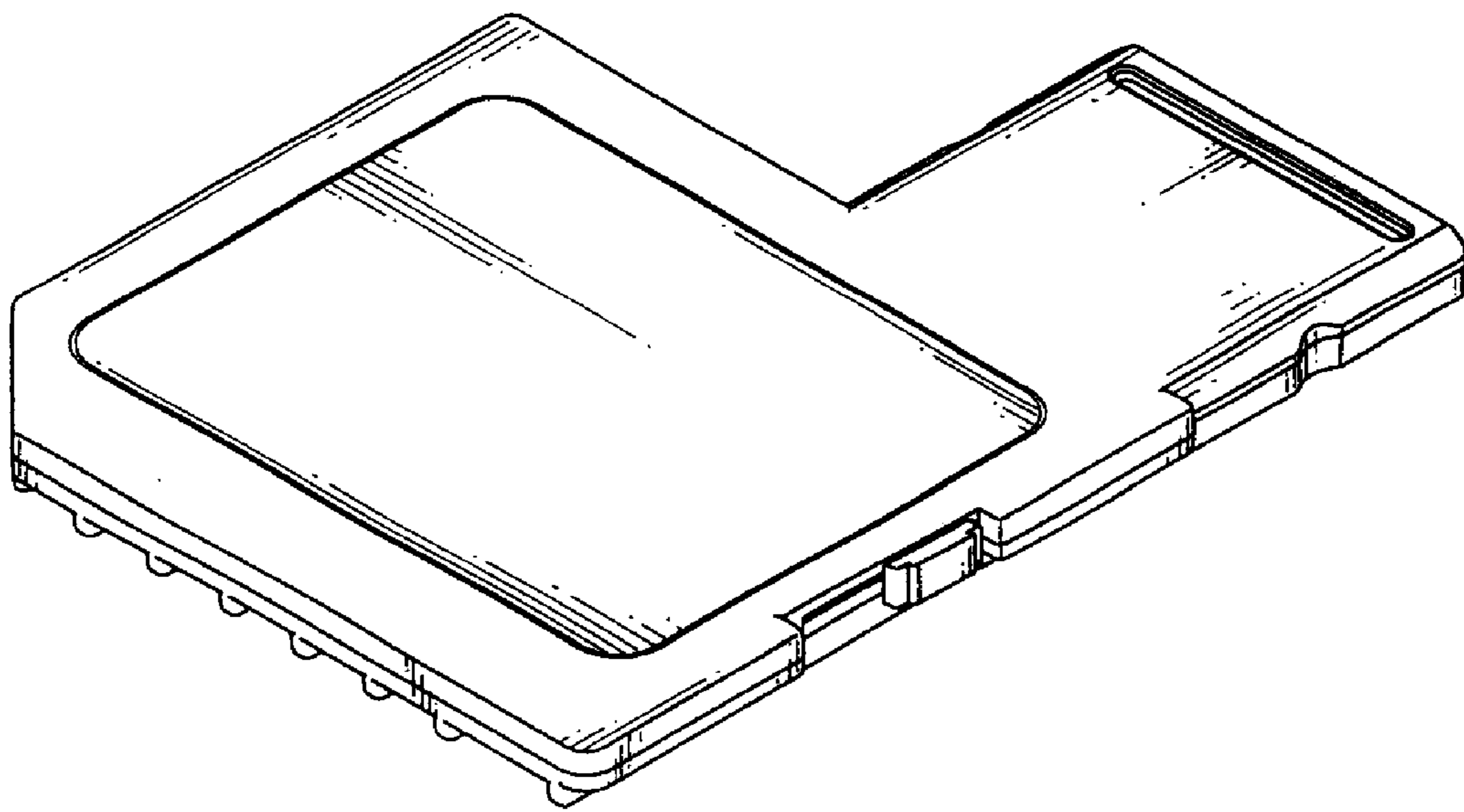


FIG. 1

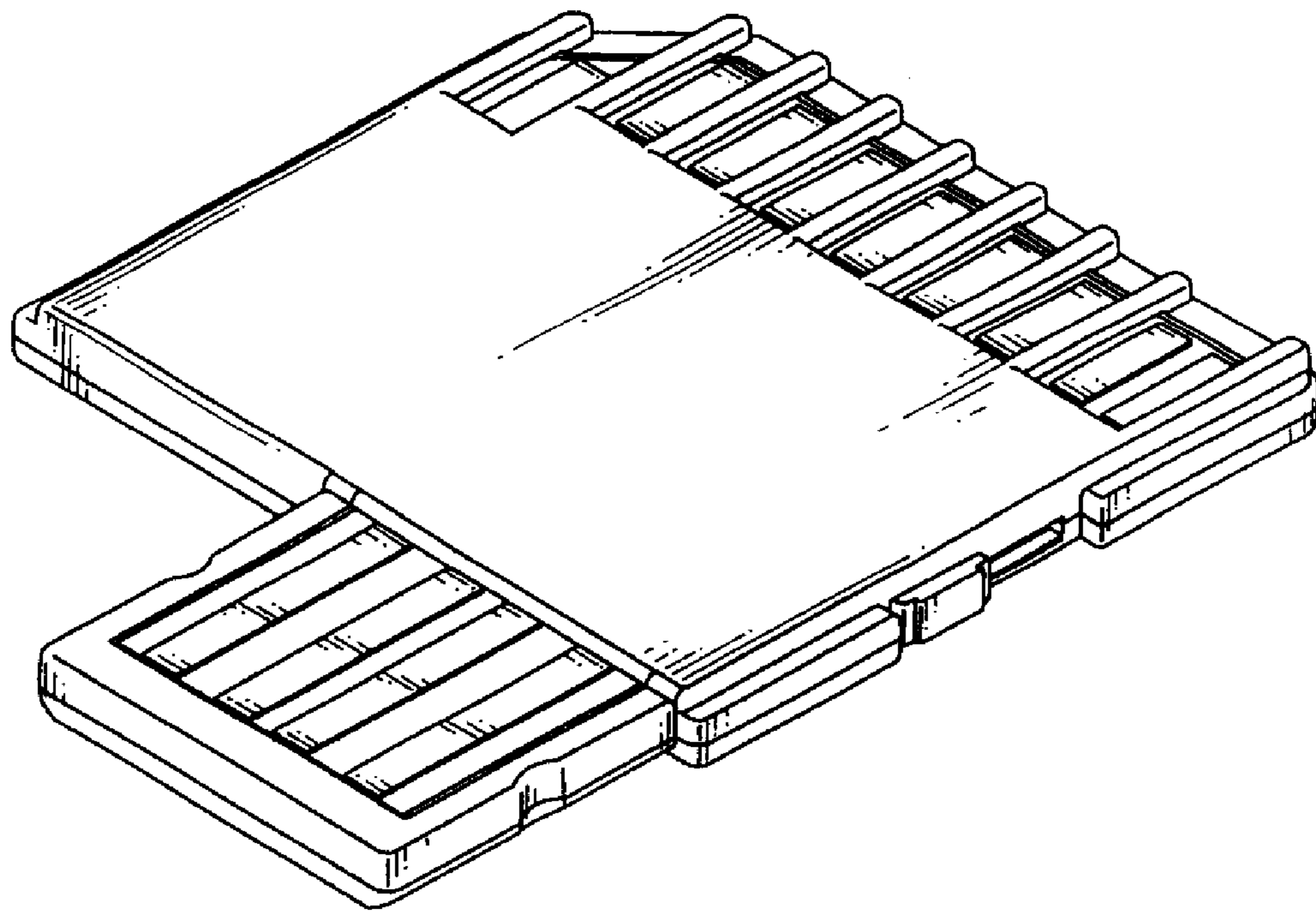


FIG.2

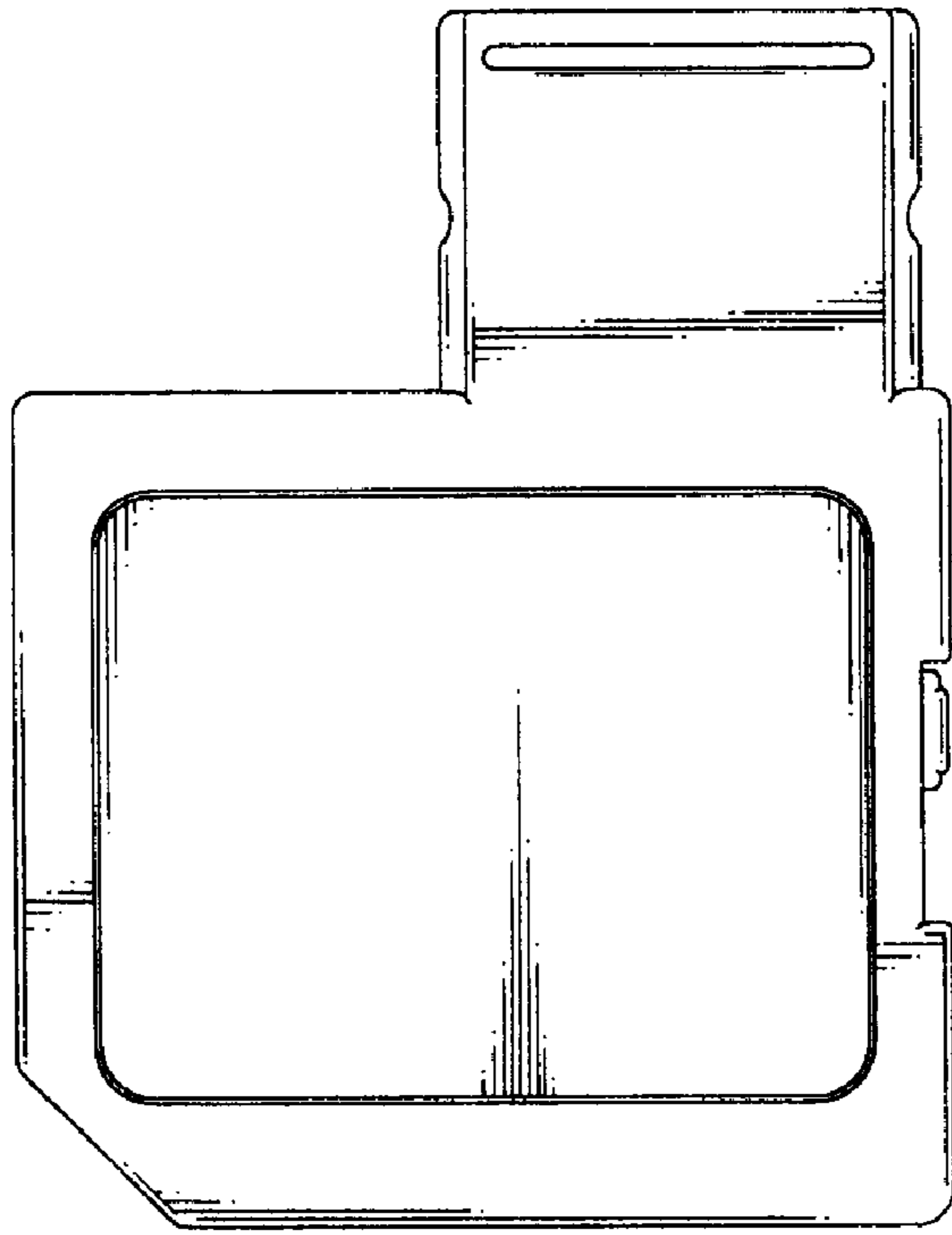


FIG. 3

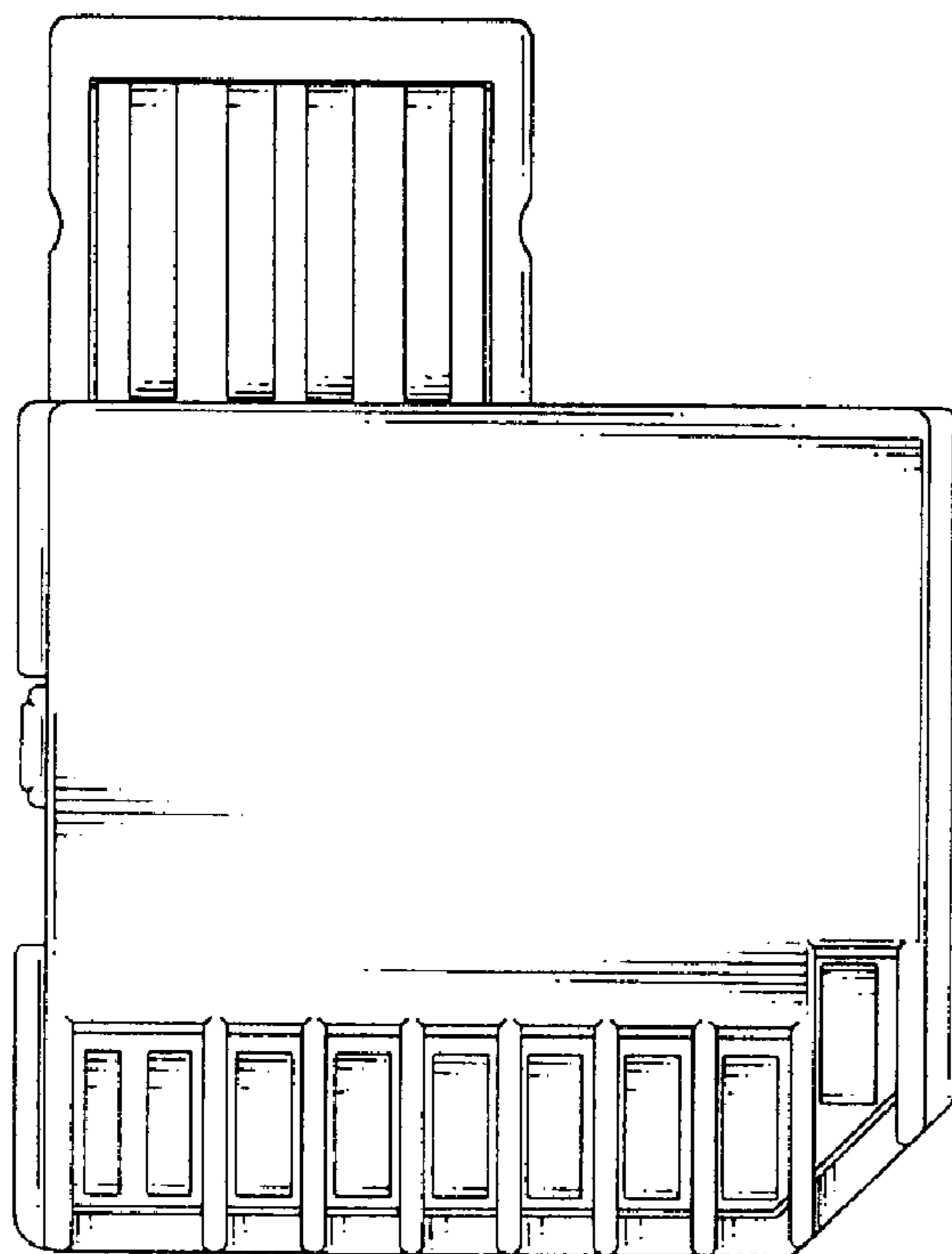


FIG. 4

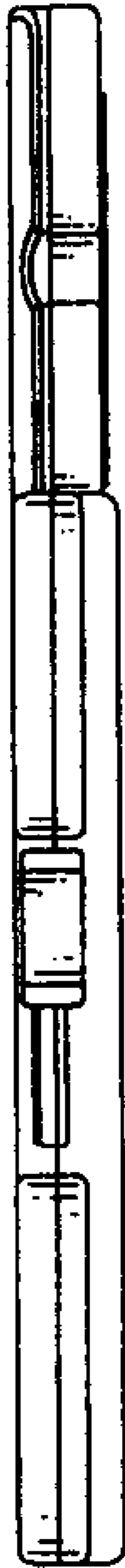


FIG. 5



FIG. 6

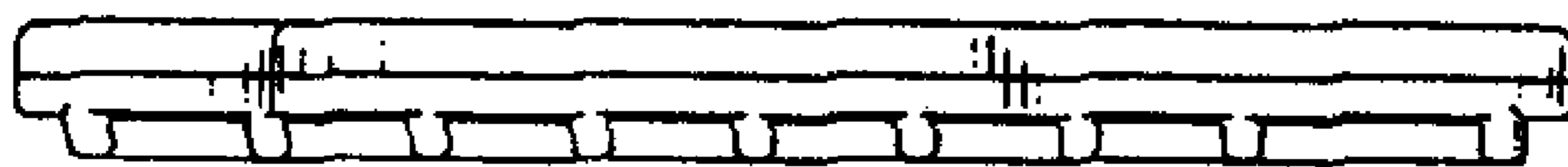


FIG. 7

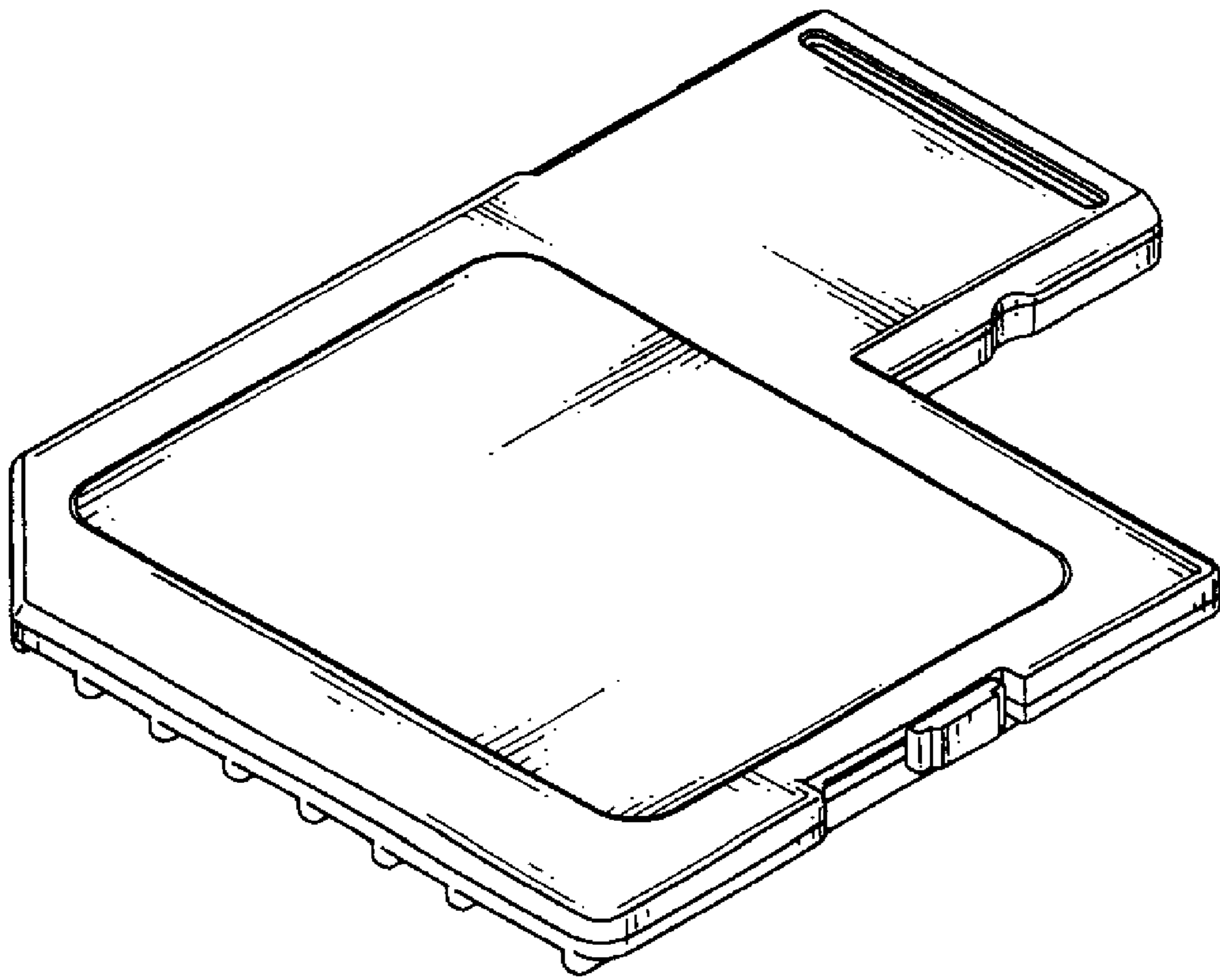


FIG. 8

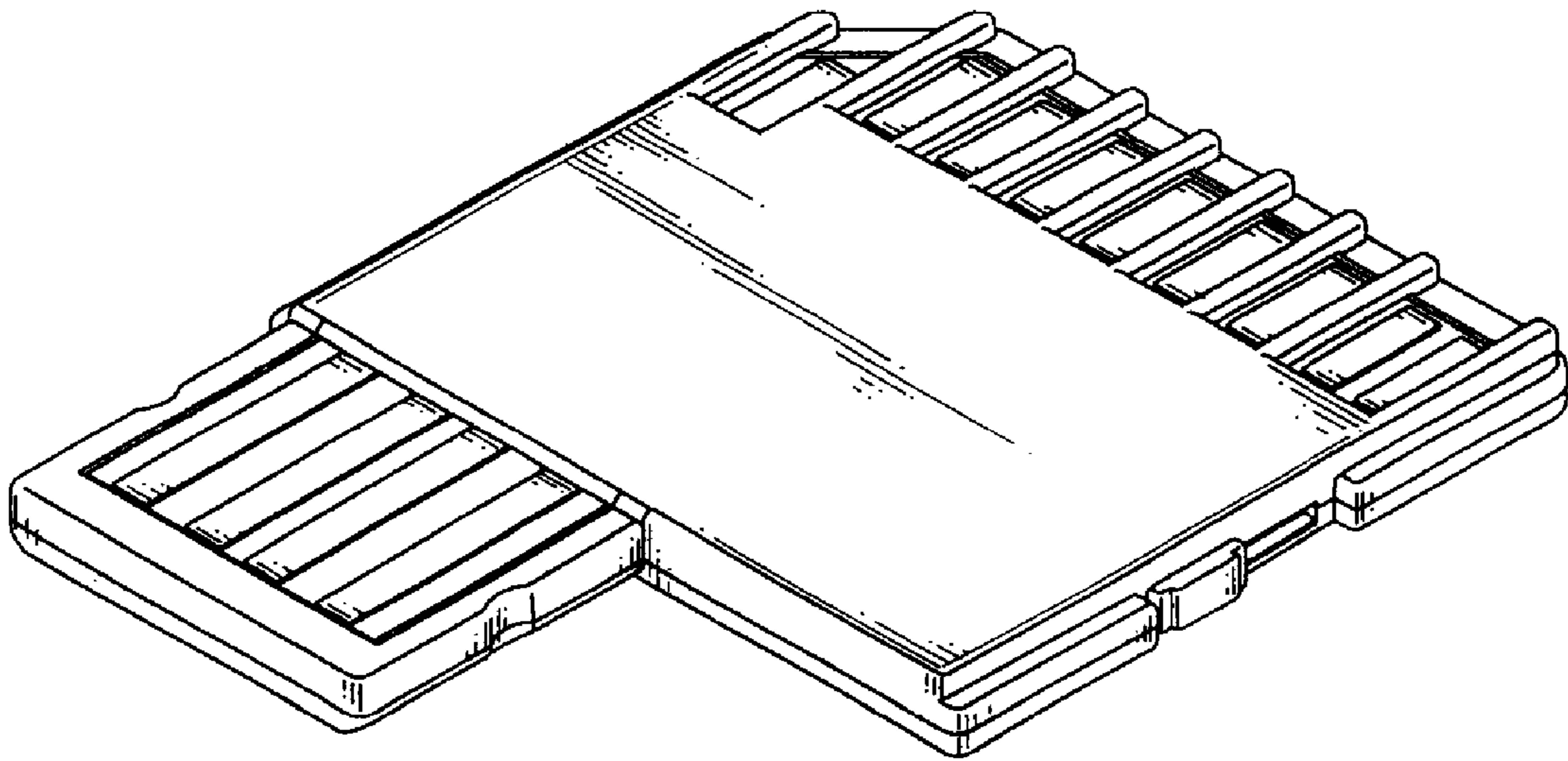


FIG. 9

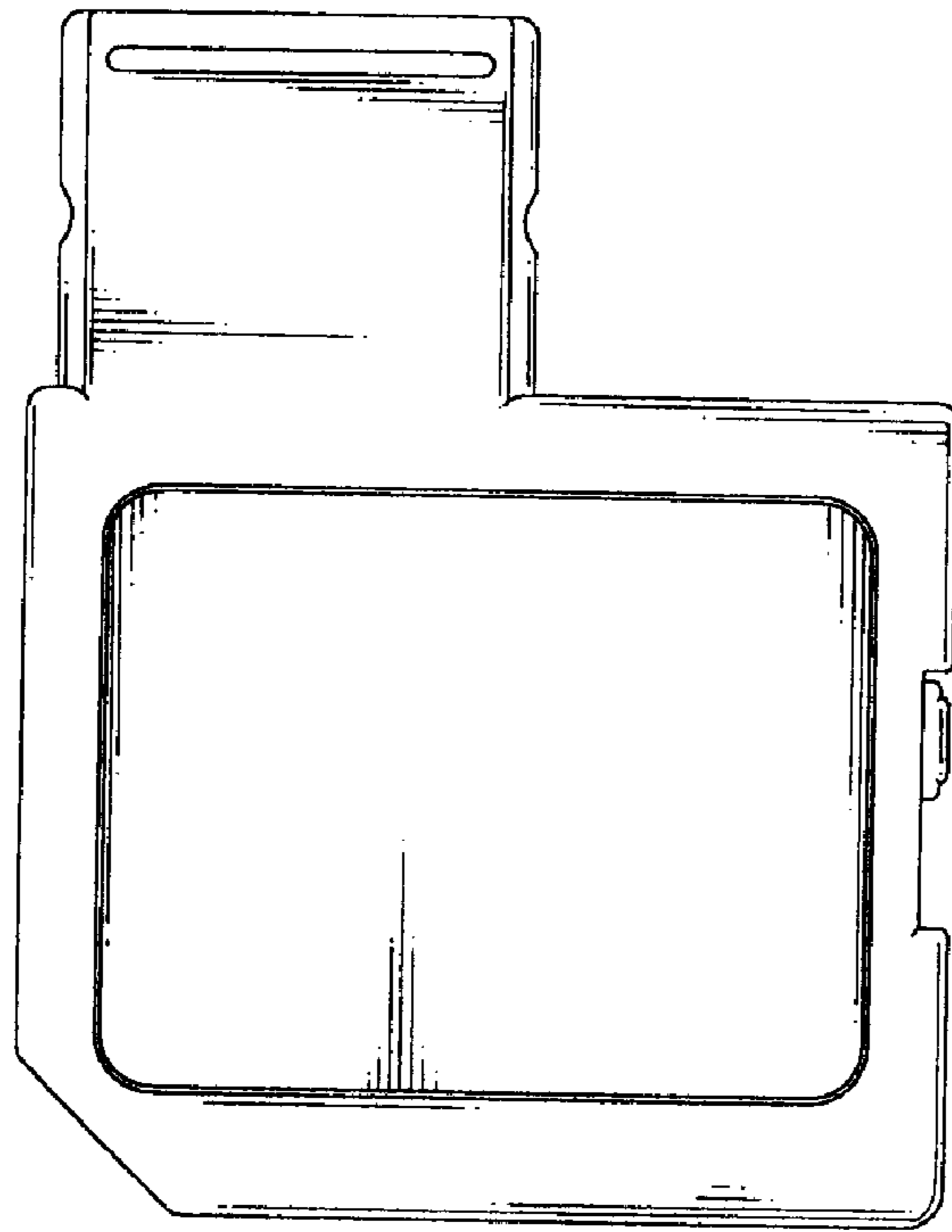


FIG. 10

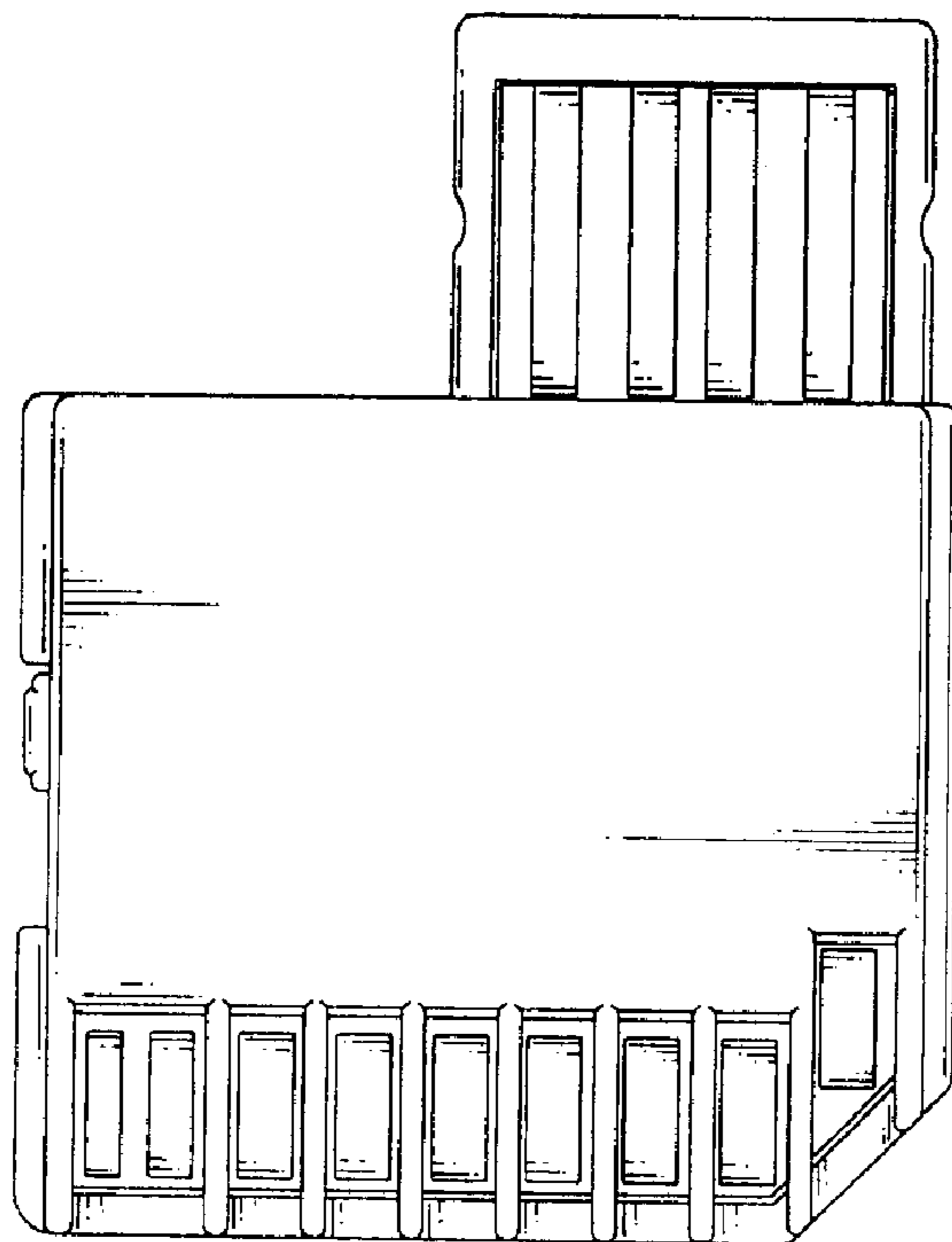


FIG. 11

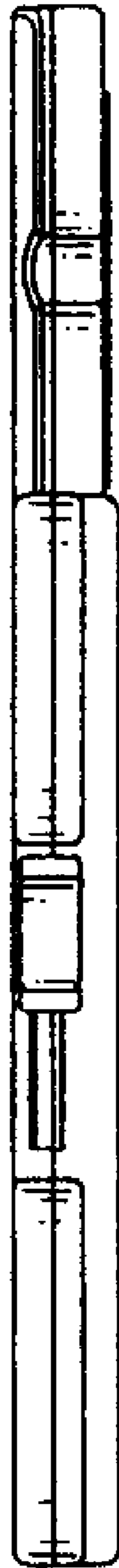


FIG. 12



FIG. 13

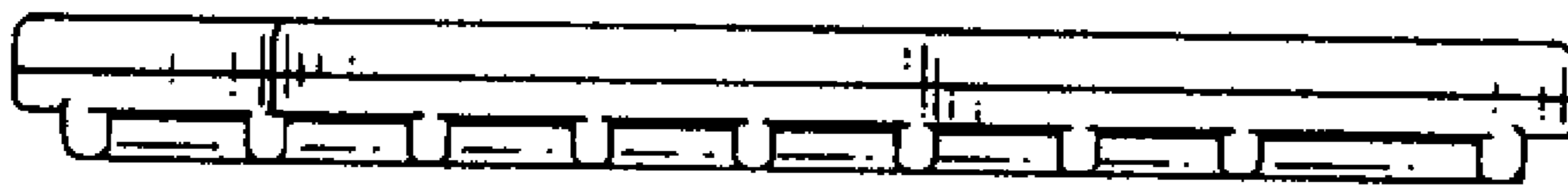


FIG. 14