



US00D530329S

(12) **United States Design Patent**
Chen et al.

(10) **Patent No.:** **US D530,329 S**

(45) **Date of Patent:** **** Oct. 17, 2006**

(54) **LCD MONITOR**

(75) Inventors: **Yung-Hsiang Chen**, Miao-Li (TW);
Che-Min Huang, Miao-Li (TW);
Ming-Chih Huang, Miao-Li (TW);
Hsiao-Ching Hung, Miao-Li (TW);
Chao-Chi Chang, Miao-Li (TW);
Lan-Shih Chou, Miao-Li (TW)

(73) Assignee: **Innolux Display Corp.**, Miao-Li (TW)

(**) Term: **14 Years**

(21) Appl. No.: **29/243,111**

(22) Filed: **Nov. 18, 2005**

(30) **Foreign Application Priority Data**

Sep. 23, 2005 (TW) 94305712

(51) **LOC (8) Cl.** **14-02**

(52) **U.S. Cl.** **D14/375**

(58) **Field of Classification Search** D14/371-375,
D14/125-129; 349/1, 2, 11, 62; 341/12; 345/104,
345/156, 168, 173, 901-905; 348/180, 184,
348/325, 739; 248/917-924, 123.11, 284.1
See application file for complete search history.

(56) **References Cited**

U.S. PATENT DOCUMENTS

6,015,120 A * 1/2000 Sweere et al. 248/123.11

6,019,332 A * 2/2000 Sweere et al. 248/284.1
D425,035 S * 5/2000 Kondo et al. D14/375
D468,311 S * 1/2003 Lee D14/375
D469,091 S * 1/2003 Hasegawa et al. D14/375
D476,335 S * 6/2003 Miao et al. D14/375
D486,486 S * 2/2004 Jobs et al. D14/371

* cited by examiner

Primary Examiner—Freda S. Nunn

(74) *Attorney, Agent, or Firm*—Wei Te Chung

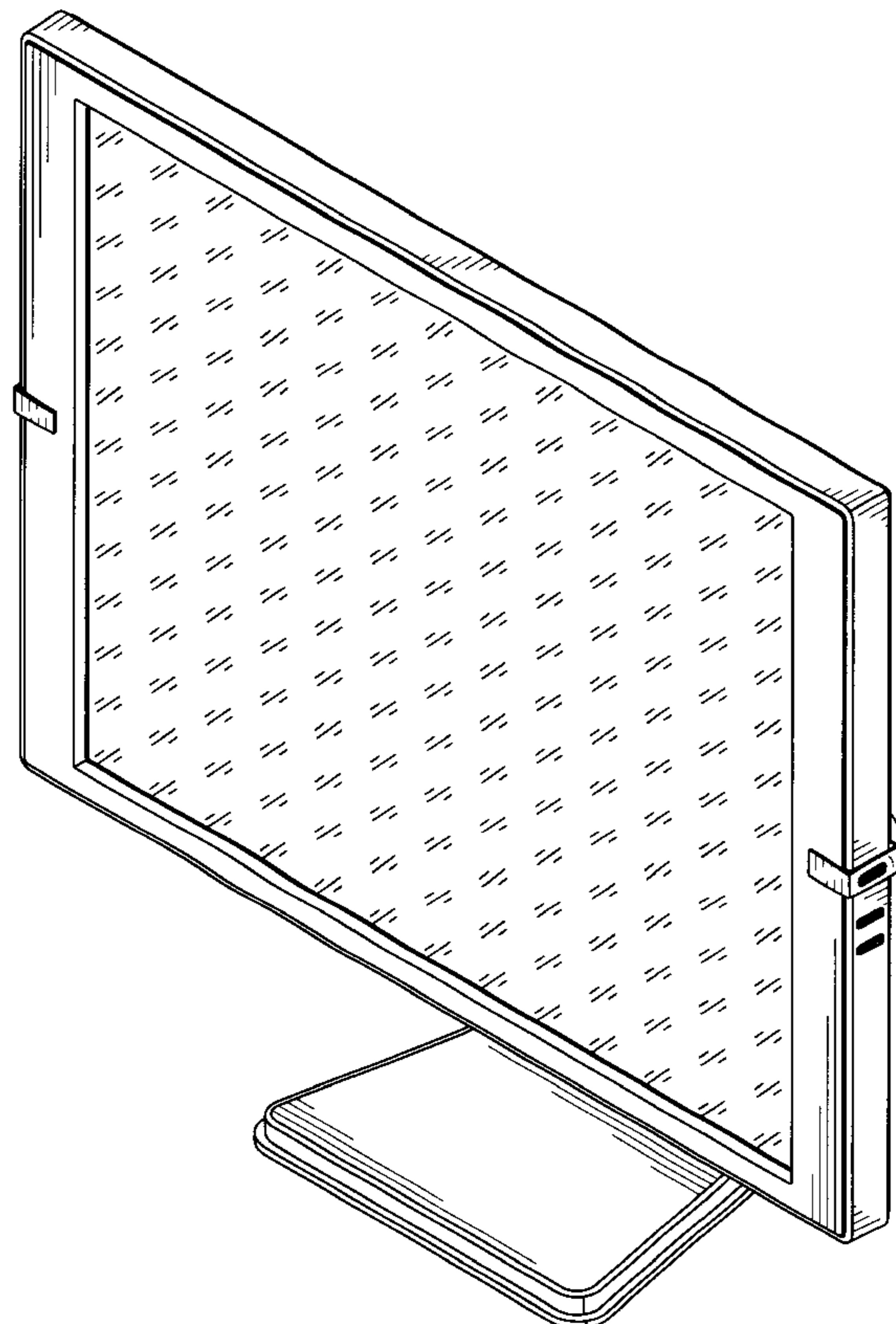
(57) **CLAIM**

The ornamental design for a LCD monitor, as shown and described.

DESCRIPTION

FIG. 1 is a front, top, right-side perspective view of a LCD monitor showing our new design;
FIG. 2 is a front elevational view thereof;
FIG. 3 is a rear elevational view thereof;
FIG. 4 is a left side elevational view thereof;
FIG. 5 is a right side elevational view thereof;
FIG. 6 is a top plan view thereof;
FIG. 7 is a bottom plan view thereof; and,
FIG. 8 is a front, top, right, side perspective view of the LCD monitor thereof in an alternate operational state, the broken lines being shown for illustrative purposes only and form no part of the claimed design.

1 Claim, 6 Drawing Sheets



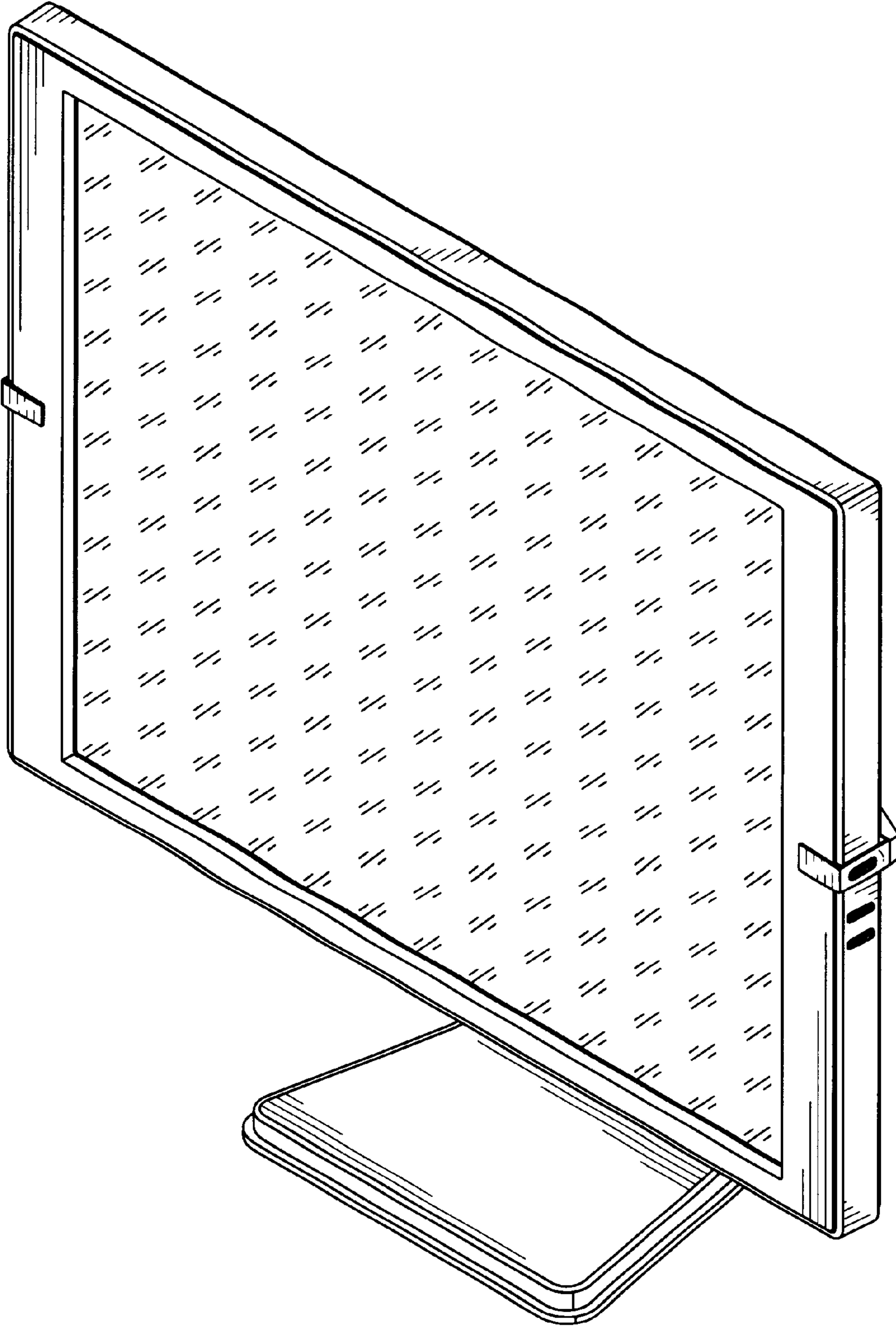


FIG. 1

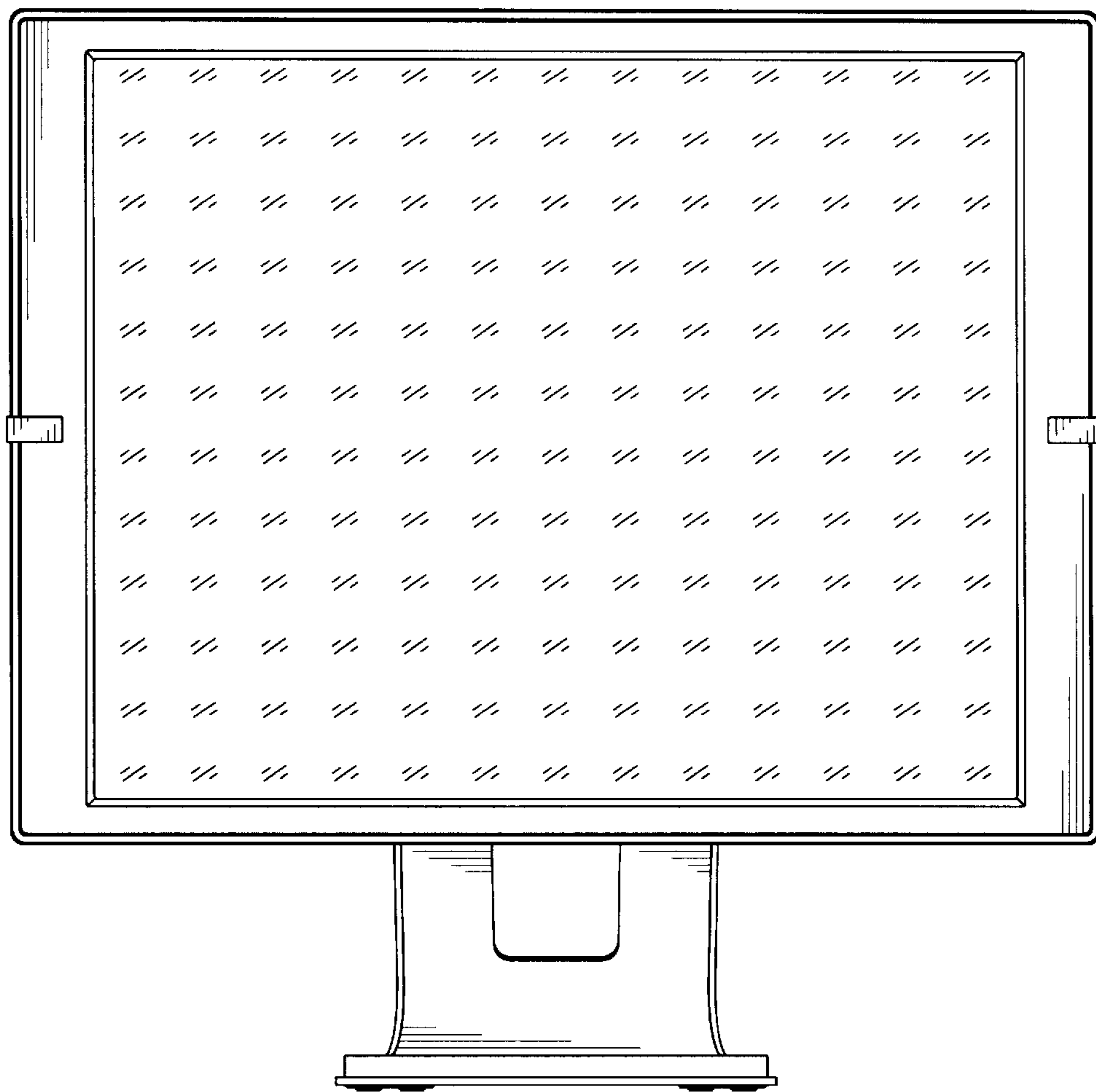


FIG. 2

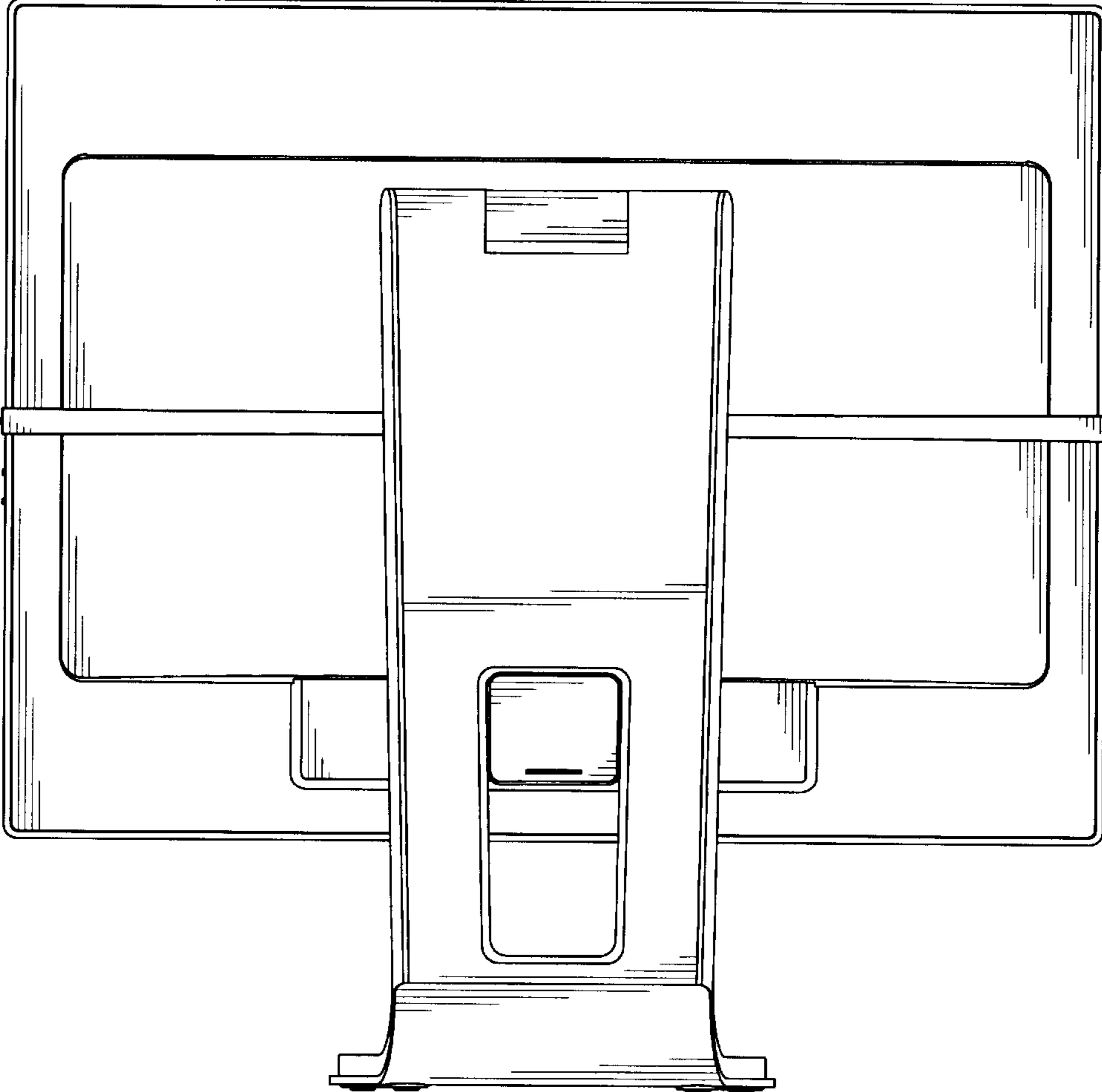


FIG. 3

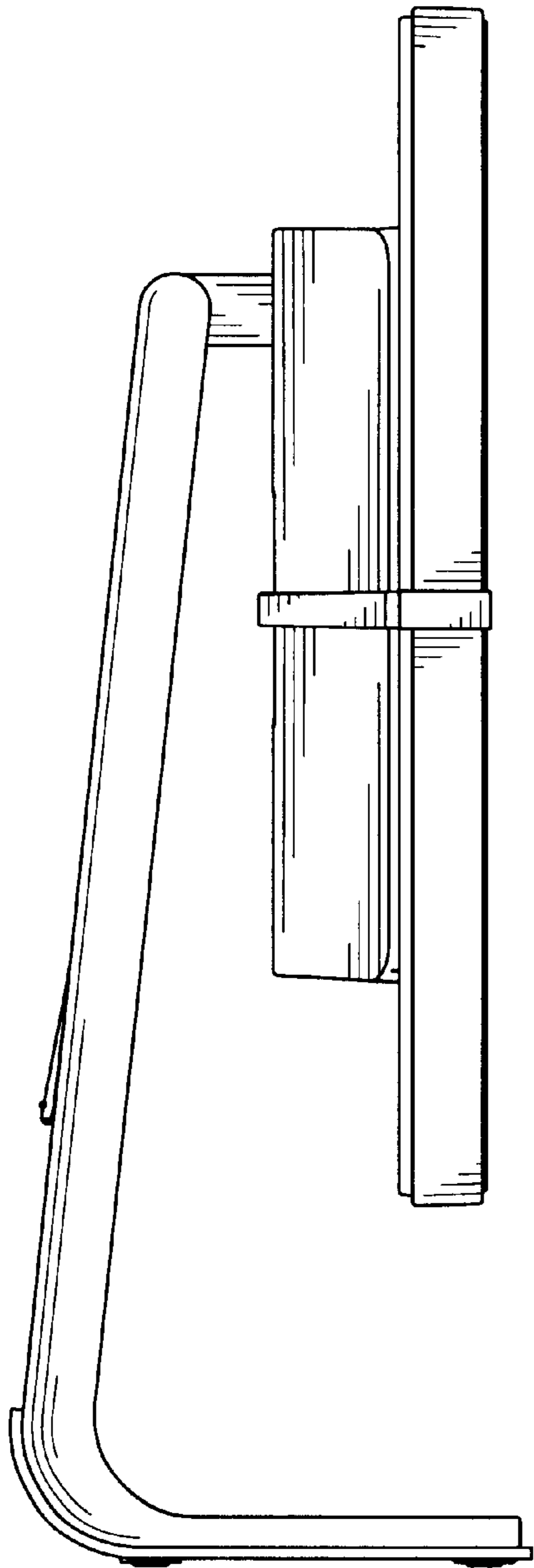


FIG. 4

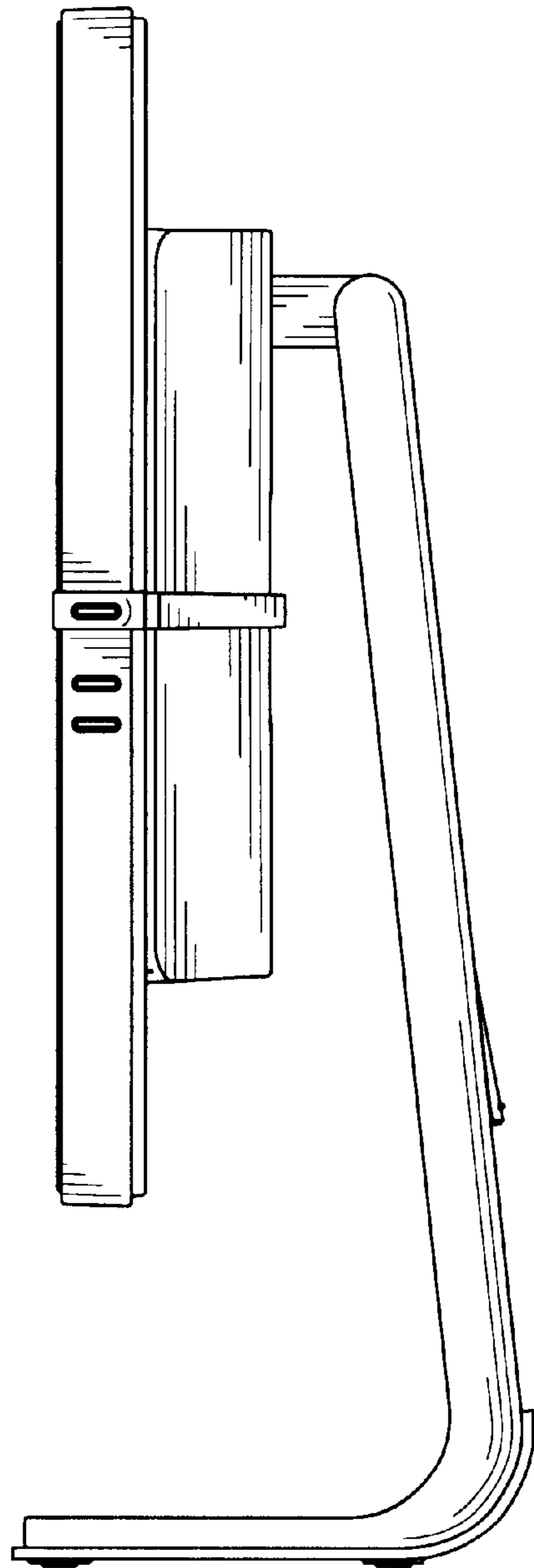


FIG. 5

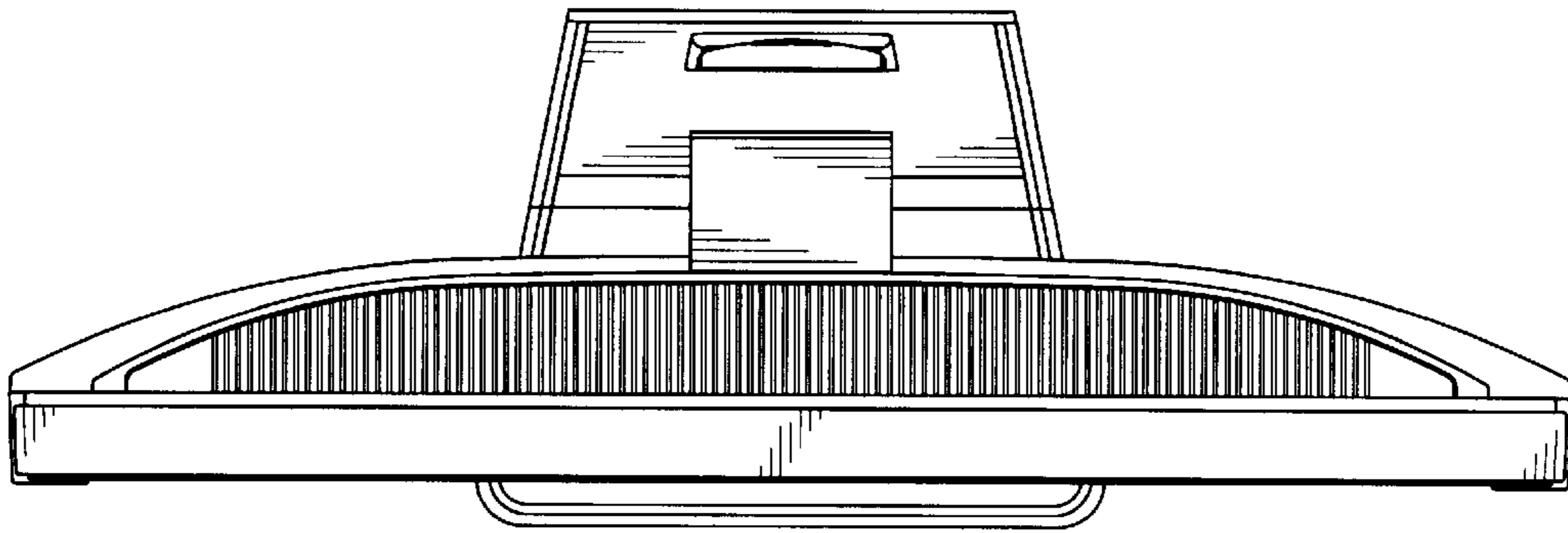


FIG. 6

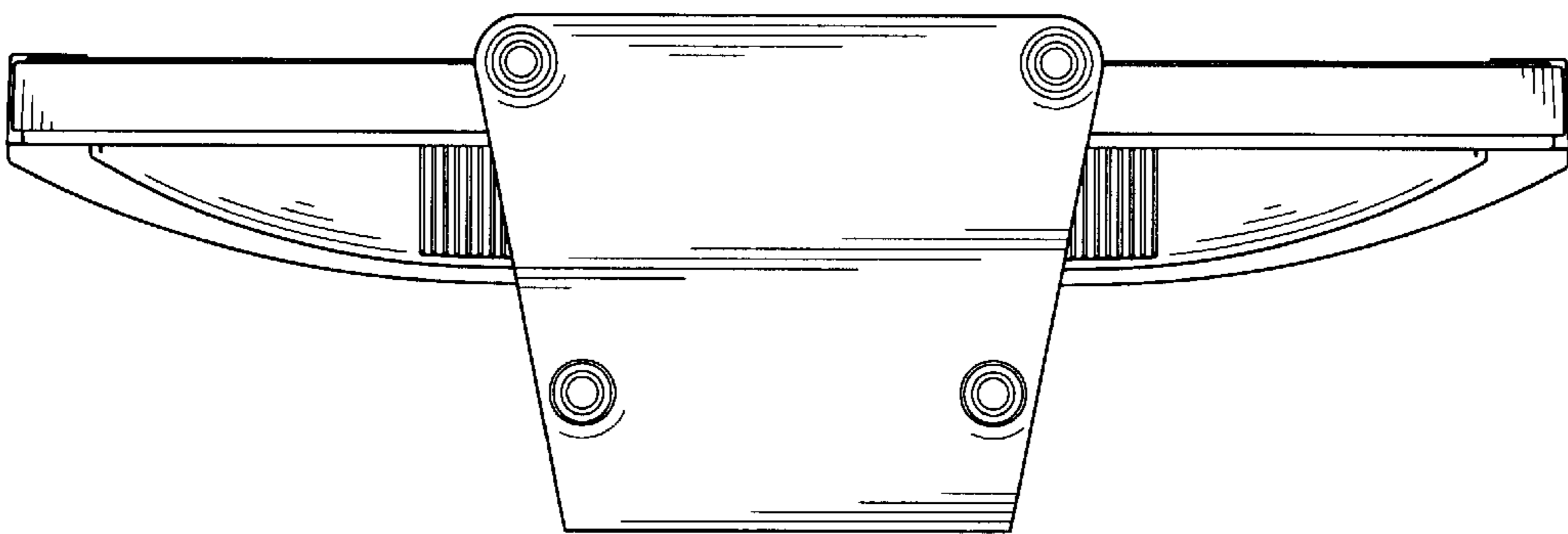


FIG. 7

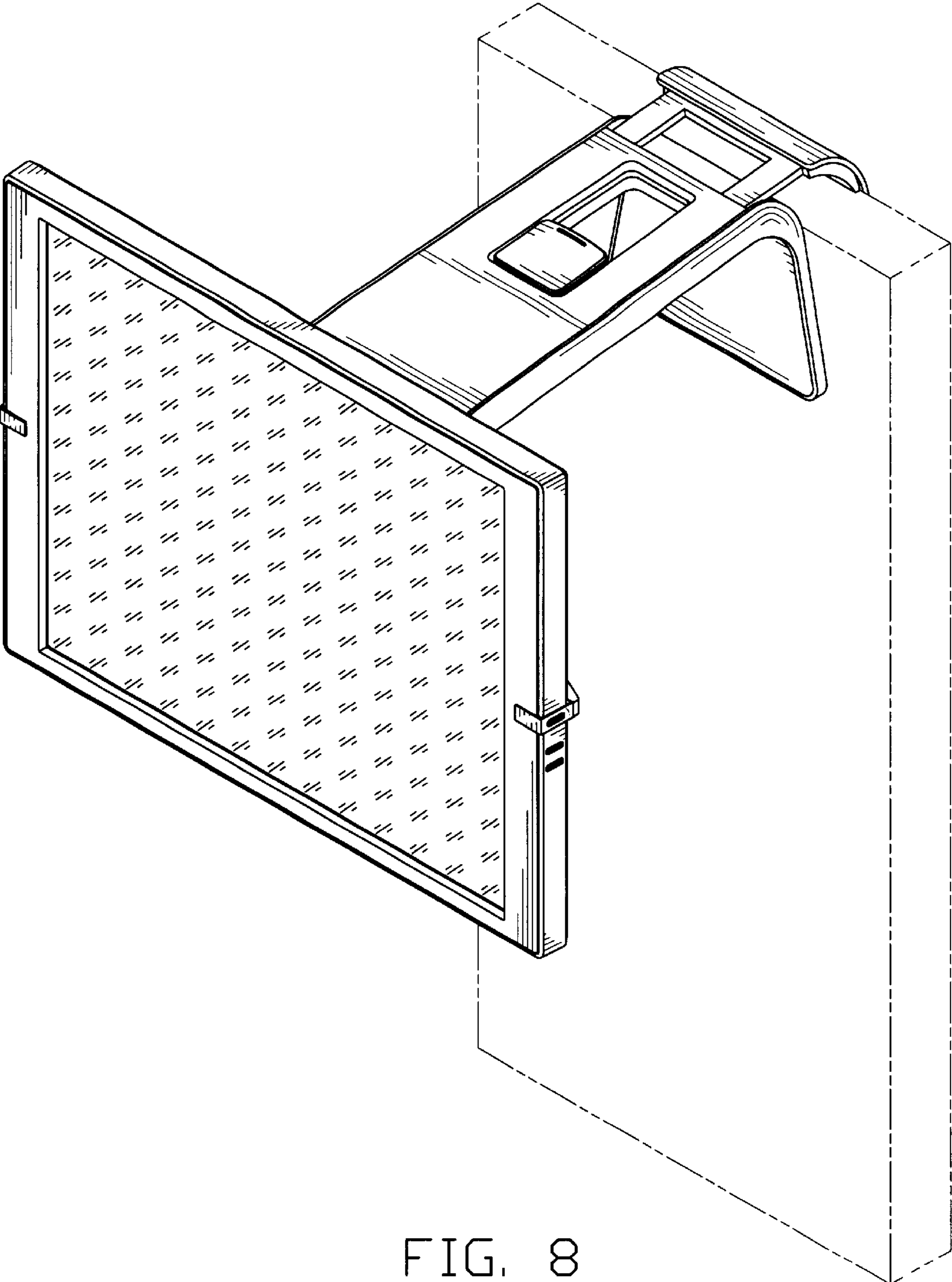


FIG. 8