



US00D530328S

(12) **United States Design Patent**
Chen et al.

(10) **Patent No.:** **US D530,328 S**
(45) **Date of Patent:** **** Oct. 17, 2006**

(54) **LCD MONITOR**

(75) Inventors: **Yung-Hsiang Chen**, Miao-Li (TW);
Che-Min Huang, Miao-Li (TW);
Meng-Tse Tsai, Miao-Li (TW);
Chun-Chien Chen, Miao-Li (TW)

(73) Assignee: **Innolux Display Corp.**, Miao-Li (TW)

(**) Term: **14 Years**

(21) Appl. No.: **29/239,045**

(22) Filed: **Sep. 23, 2005**

(30) **Foreign Application Priority Data**

Jun. 29, 2005 (TW) 94304559

(51) **LOC (8) Cl.** **14-02**

(52) **U.S. Cl.** **D14/375**

(58) **Field of Classification Search** D14/371-375,
D14/125-129; 248/917-924, 123.11; 341/12;
345/104, 156, 168, 173, 901-905; 348/180,
348/184, 325, 739; 349/1, 2, 11, 62; D6/422
See application file for complete search history.

(56) **References Cited**

U.S. PATENT DOCUMENTS

5,668,570 A * 9/1997 Ditzik 345/173
D416,875 S * 11/1999 Chuo et al. D14/375

6,015,120 A * 1/2000 Sweere et al. 248/123.11
D477,320 S * 7/2003 Peng et al. D14/375
D496,184 S * 9/2004 Sapp D6/422
D509,826 S * 9/2005 Jobs et al. D14/371

* cited by examiner

Primary Examiner—Freda S. Nunn

(74) *Attorney, Agent, or Firm*—Wei Te Chung

(57) **CLAIM**

The ornamental design for a LCD monitor, as shown and described.

DESCRIPTION

FIG. 1 is a front, top, right-side perspective view of a LCD monitor showing our new design;

FIG. 2 is a front elevational view thereof;

FIG. 3 is a rear elevational view thereof;

FIG. 4 is a left side elevational view thereof;

FIG. 5 is a right side elevational view thereof;

FIG. 6 is a top plan view thereof;

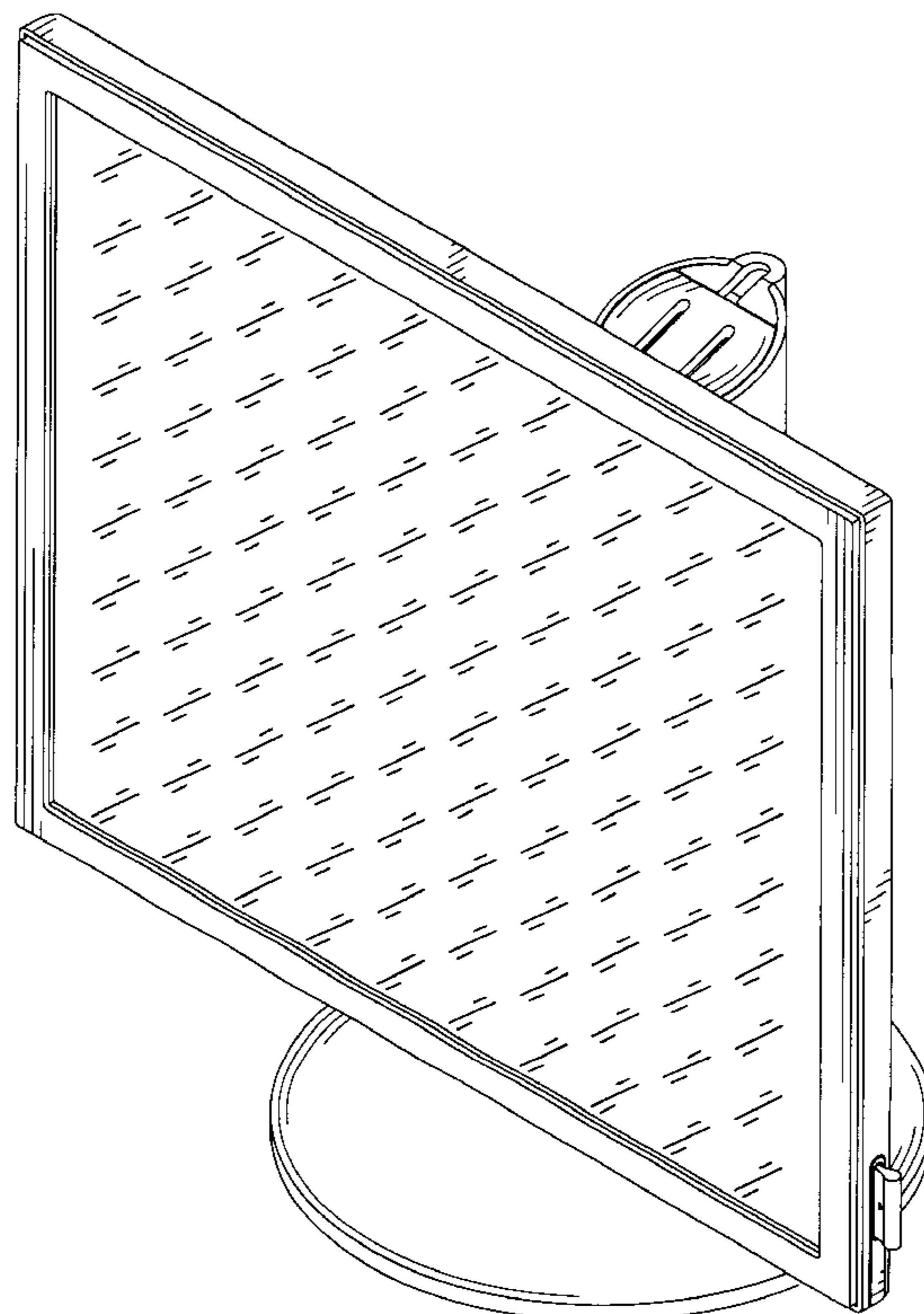
FIG. 7 is a bottom plan view thereof;

FIG. 8 is a rear, right side isometric view of the LCD monitor of FIG. 1 in use; and,

FIG. 9 is another rear, and right side isometric view of the LCD monitor of FIG. 1 in use.

The broken lines are shown in FIGS. 8 and 9 for illustrative purposes only and form no part of the claimed design.

1 Claim, 7 Drawing Sheets



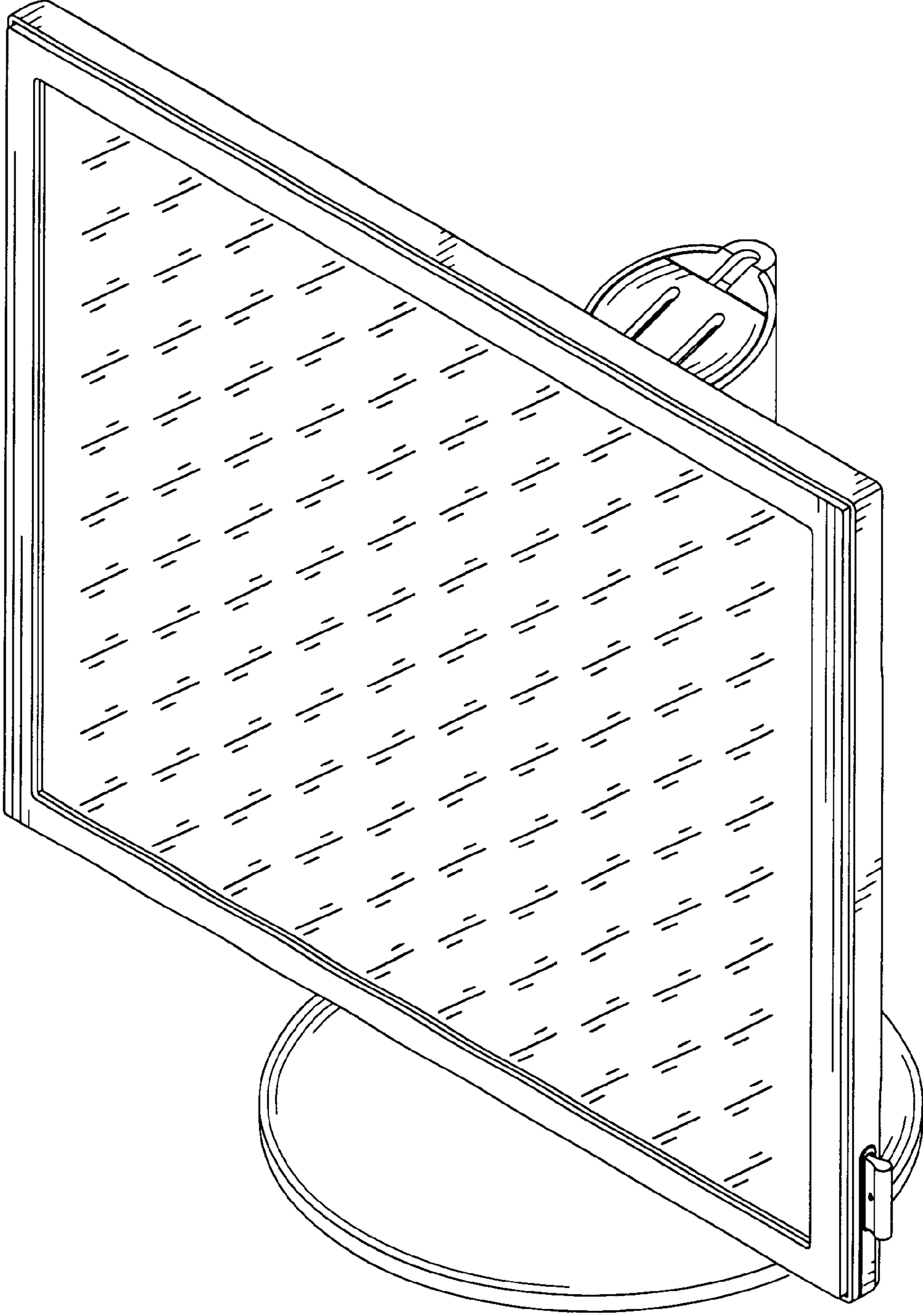


FIG. 1

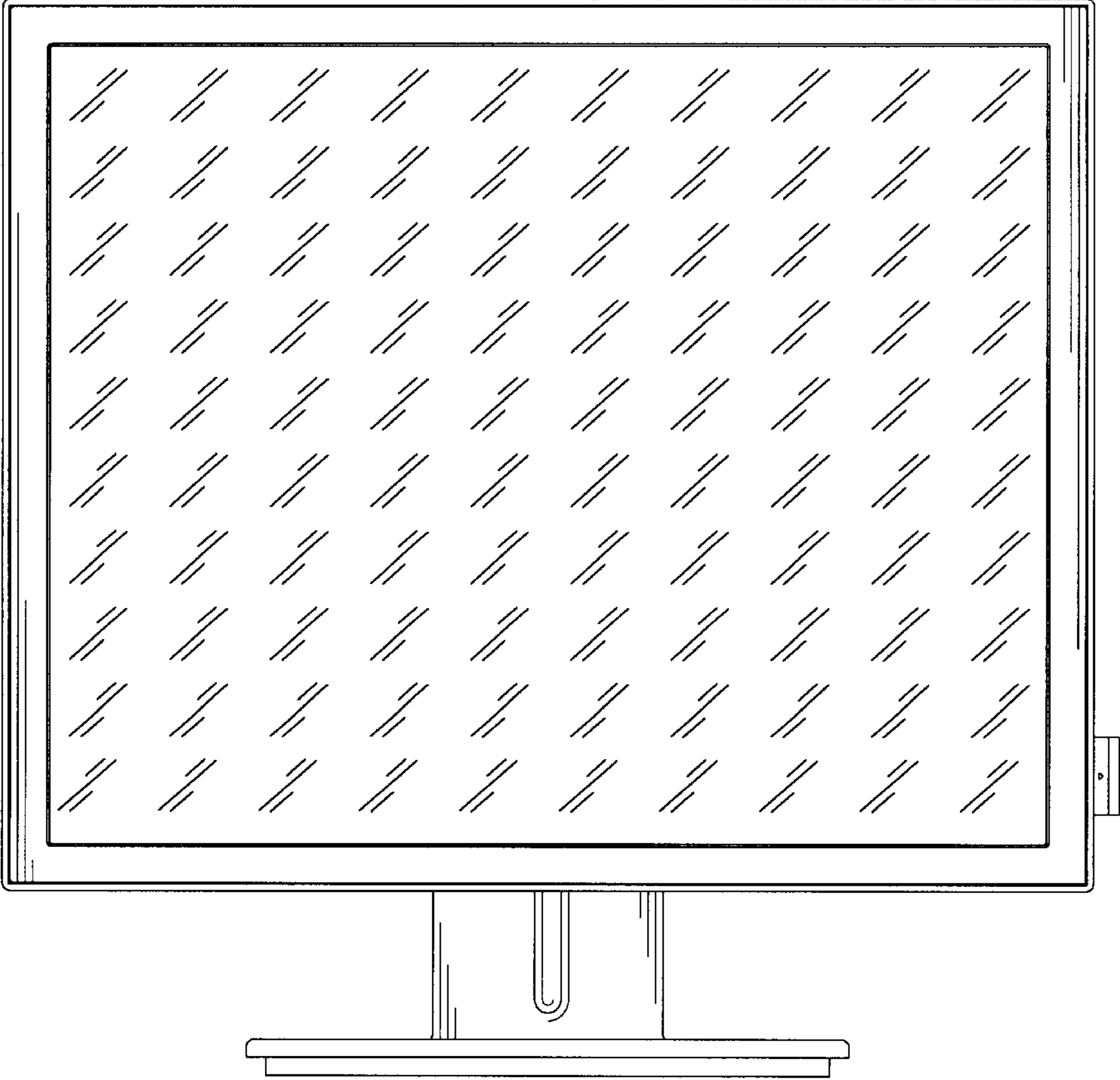


FIG. 2

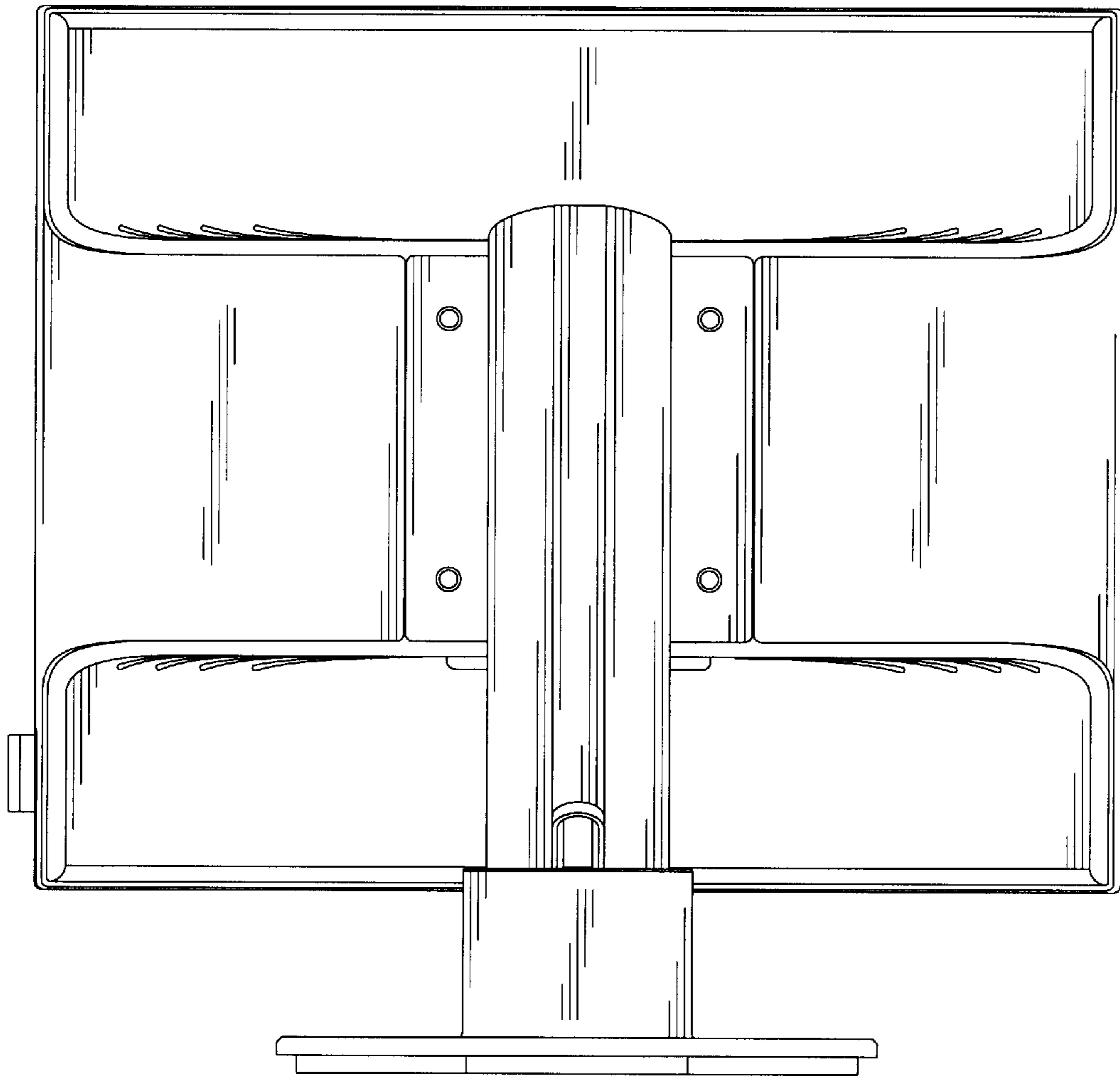


FIG. 3

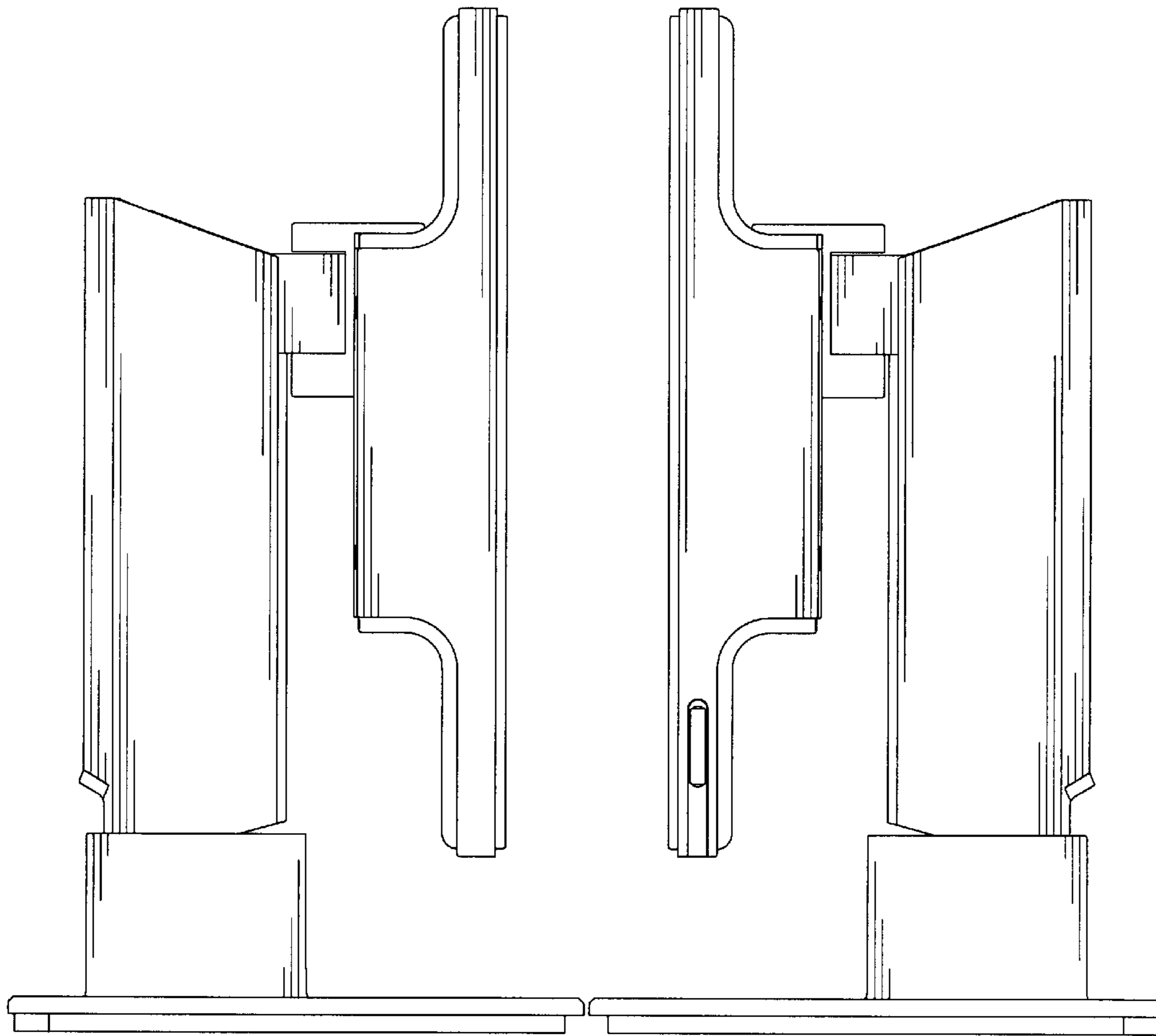


FIG. 4

FIG. 5

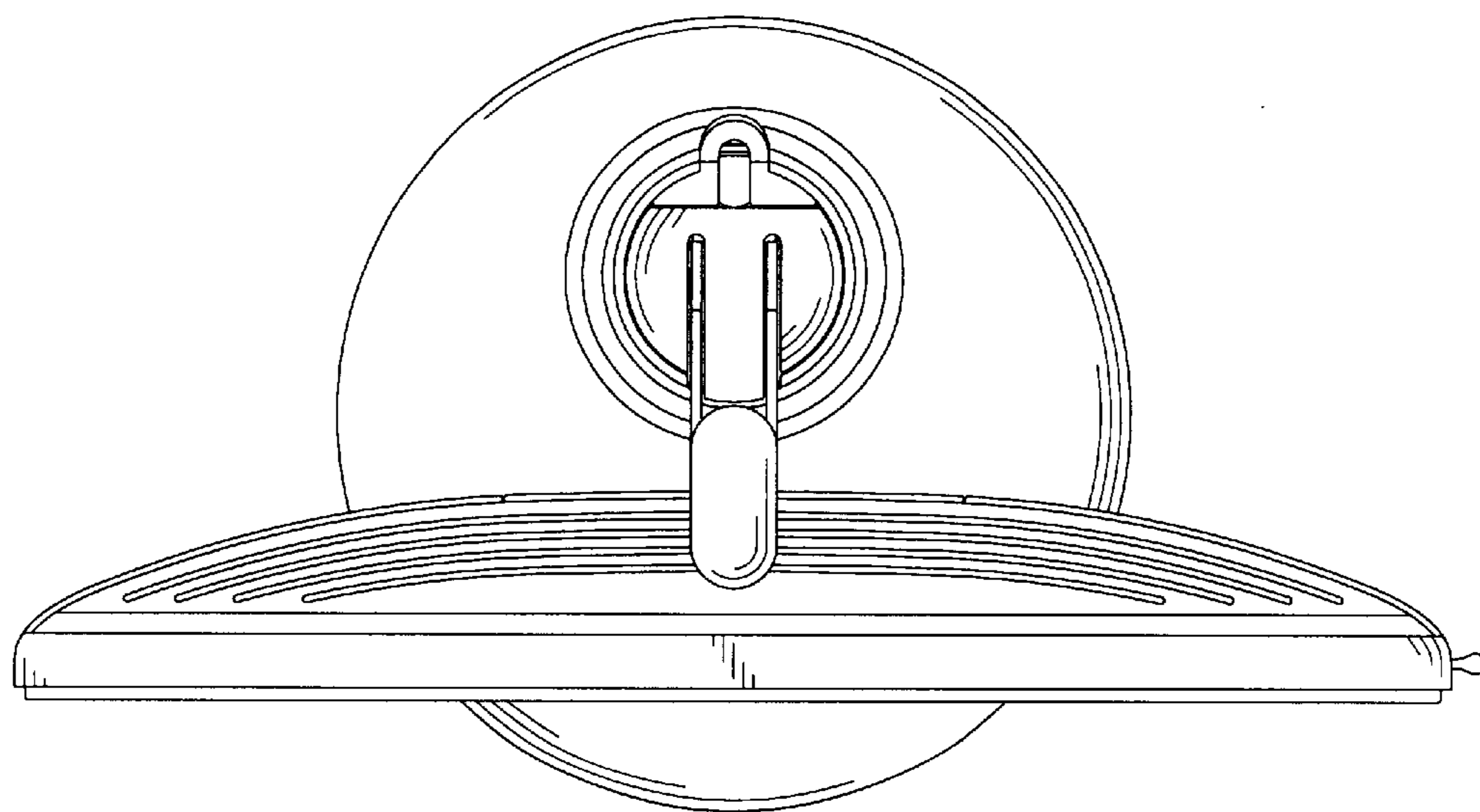


FIG. 6

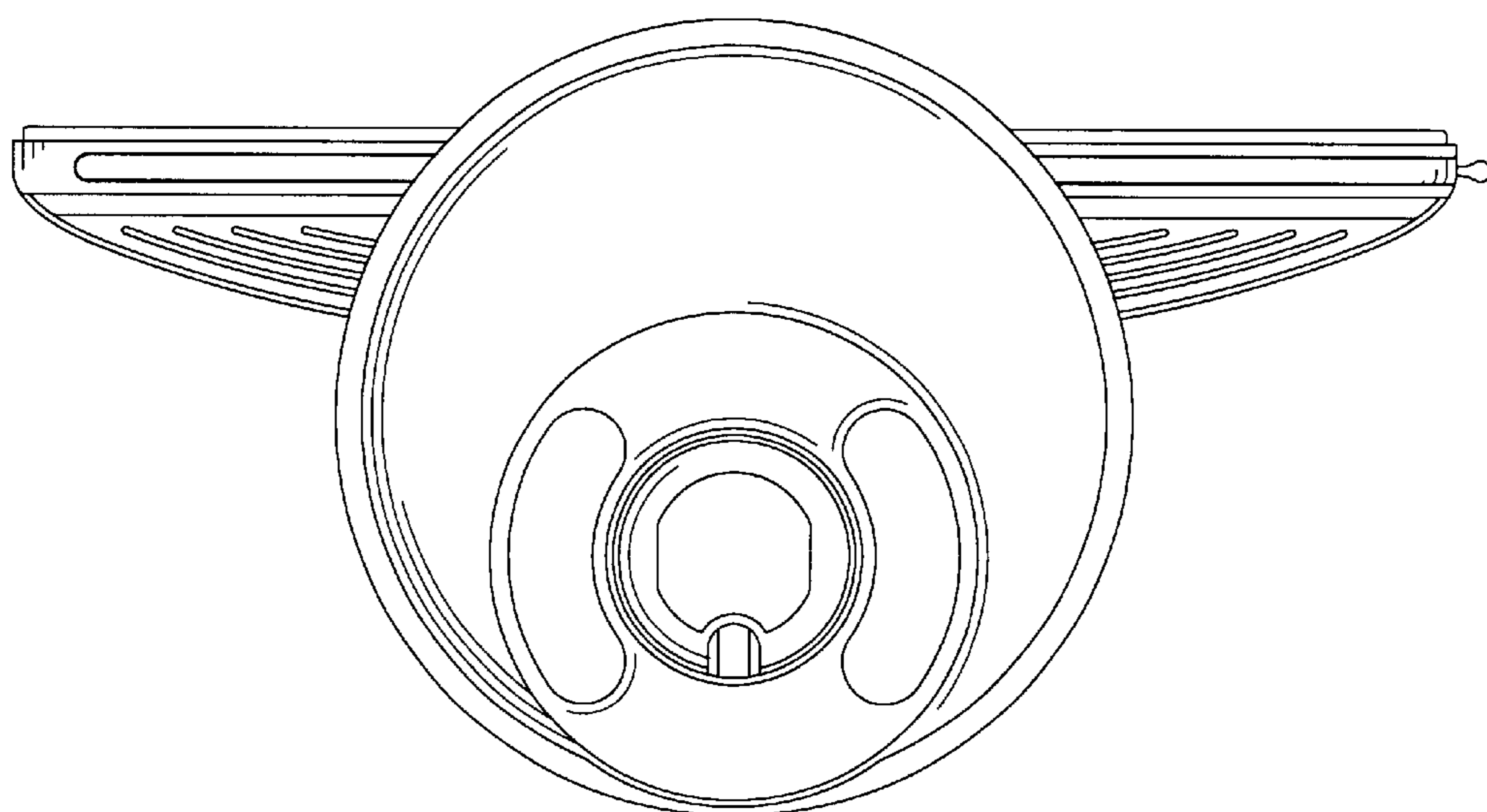


FIG. 7

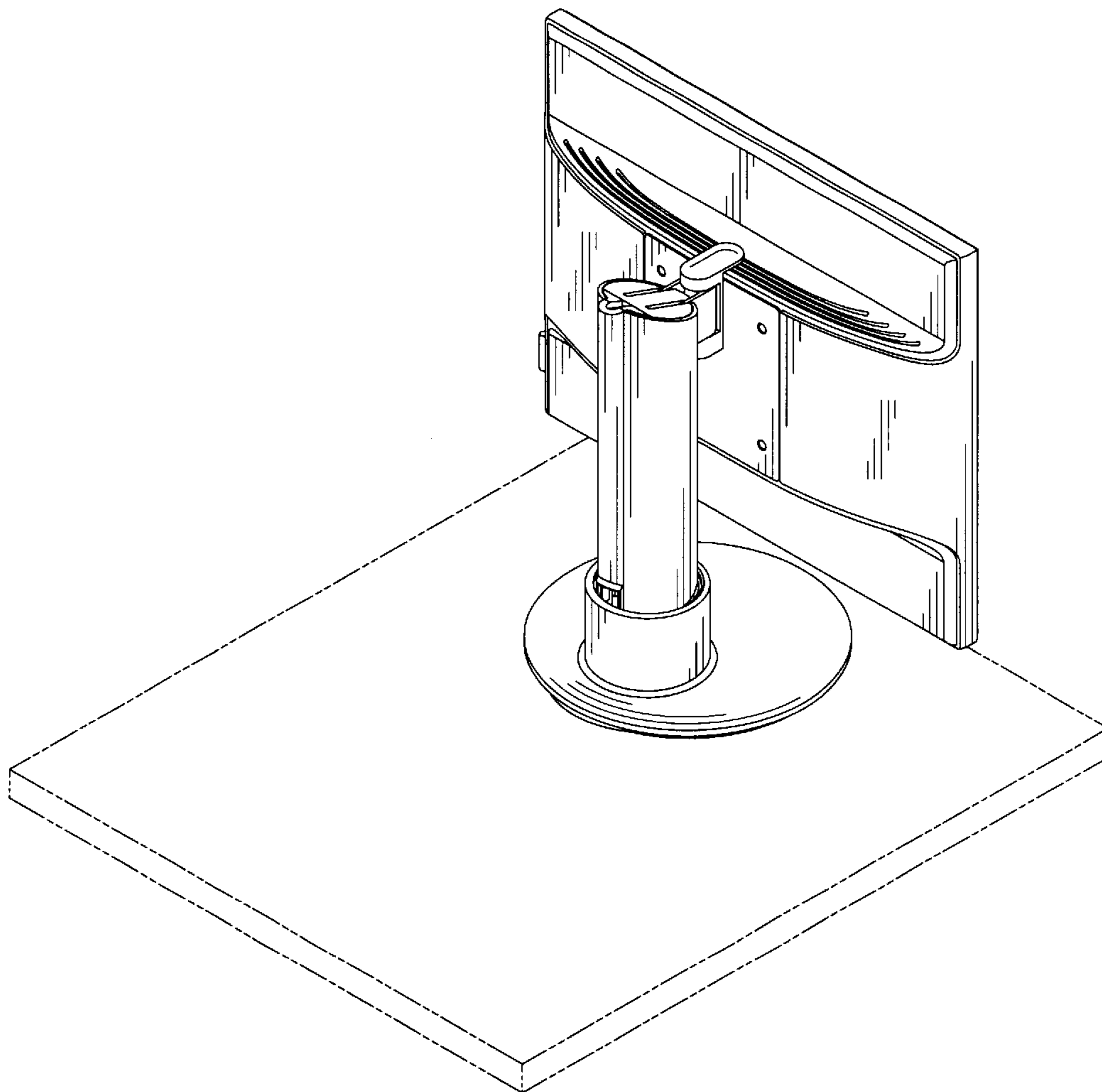


FIG. 8

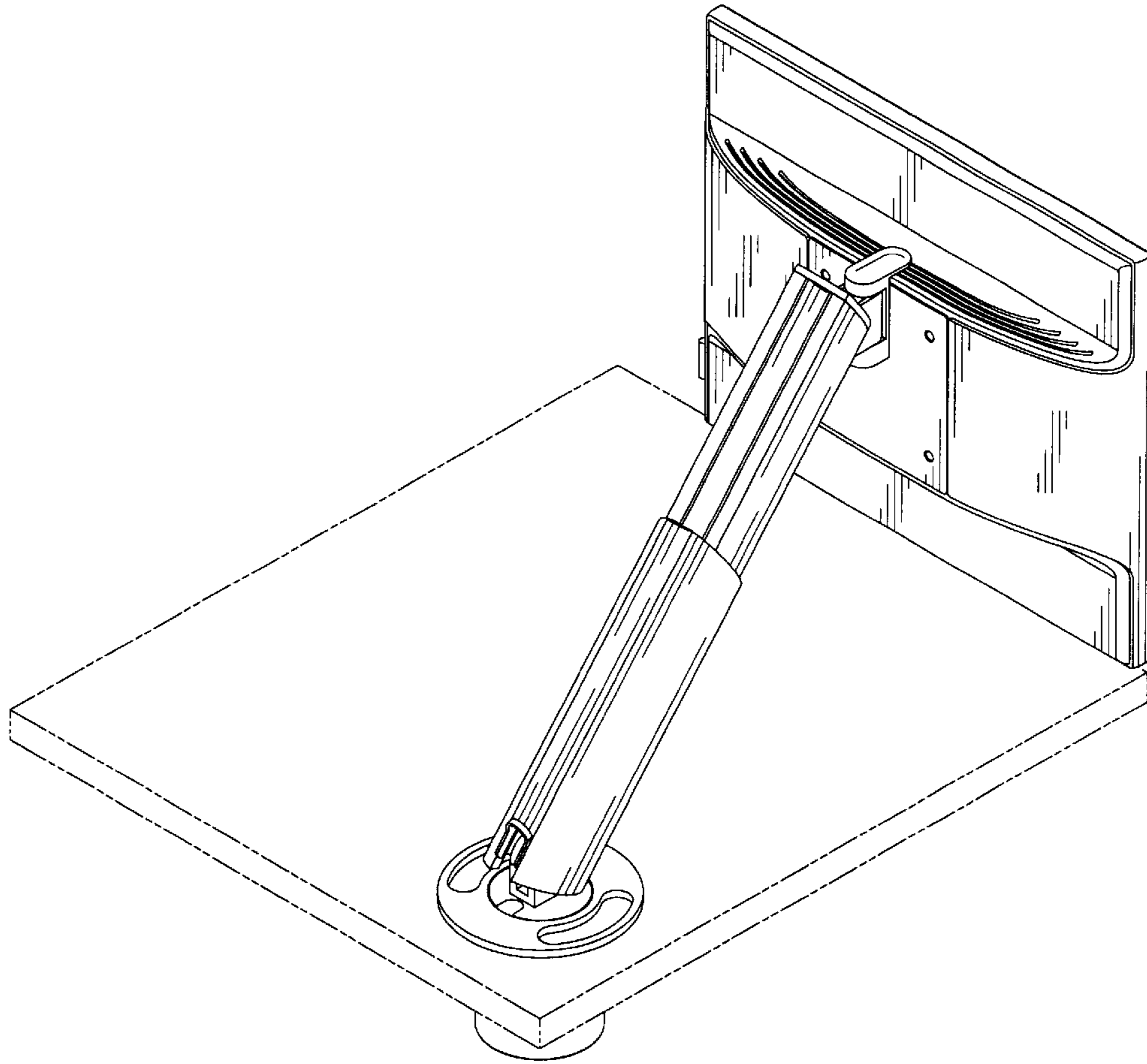


FIG. 9