



US00D530327S

(12) **United States Design Patent**  
**Chen et al.**

(10) **Patent No.:** **US D530,327 S**

(45) **Date of Patent:** **\*\* Oct. 17, 2006**

(54) **LCD MONITOR**

(75) Inventors: **Yung-Hsiang Chen**, Miao-Li (TW);  
**Che-Min Huang**, Miao-Li (TW);  
**Meng-Tse Tsai**, Miao-Li (TW);  
**Chien-Tung Chu**, Miao-Li (TW)

(73) Assignee: **Innolux Display Corporation**, Miao-Li (TW)

(\*\*) Term: **14 Years**

(21) Appl. No.: **29/239,044**

(22) Filed: **Sep. 23, 2005**

(30) **Foreign Application Priority Data**

Jun. 10, 2005 (TW) ..... 94303454

(51) **LOC (8) Cl.** ..... **14-02**

(52) **U.S. Cl.** ..... **D14/375**

(58) **Field of Classification Search** ..... D14/371-375,  
D14/125-129; 248/917-924, 176.3, 291.1;  
341/12; 345/104, 156, 168, 173, 901-905;  
348/180, 184, 325, 739; 349/1, 2, 11, 62;  
361/681

See application file for complete search history.

(56) **References Cited**

**U.S. PATENT DOCUMENTS**

D476,005 S \* 6/2003 Peng et al. .... D14/375

D483,368 S \* 12/2003 Olson et al. .... D14/375  
D489,721 S \* 5/2004 Peng et al. .... D14/371  
D496,046 S \* 9/2004 Lo ..... D14/375  
D499,730 S \* 12/2004 Yamashiro ..... D14/375  
2003/0141422 A1 \* 7/2003 Lee et al. .... 248/176.3  
2004/0155166 A1 \* 8/2004 Kim ..... 248/291.1  
2005/0041379 A1 \* 2/2005 Jang ..... 361/681

\* cited by examiner

*Primary Examiner*—Freda S. Nunn

(74) *Attorney, Agent, or Firm*—Wei Te Chung

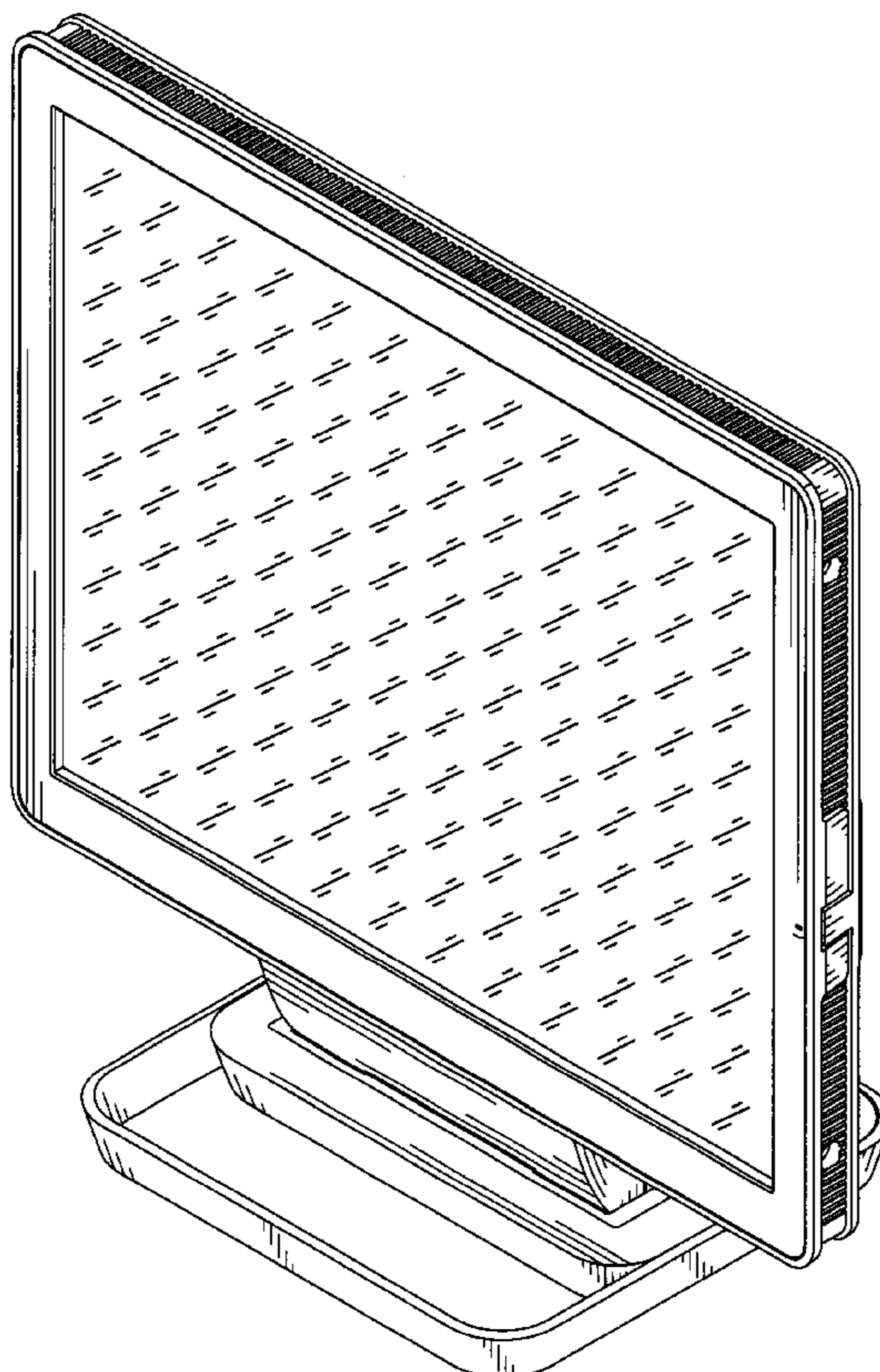
(57) **CLAIM**

The ornamental design for a LCD monitor, as shown and described.

**DESCRIPTION**

FIG. 1 is a front, top, right-side perspective view of a LCD monitor showing our new design;  
FIG. 2 is a front elevational view thereof;  
FIG. 3 is a rear elevational view thereof;  
FIG. 4 is a left side elevational view thereof;  
FIG. 5 is a right side elevational view thereof;  
FIG. 6 is a top plan view thereof;  
FIG. 7 is a bottom plan view thereof; and,  
FIG. 8 is a front, top, right-side perspective view thereof shown in an alternate position.

**1 Claim, 6 Drawing Sheets**



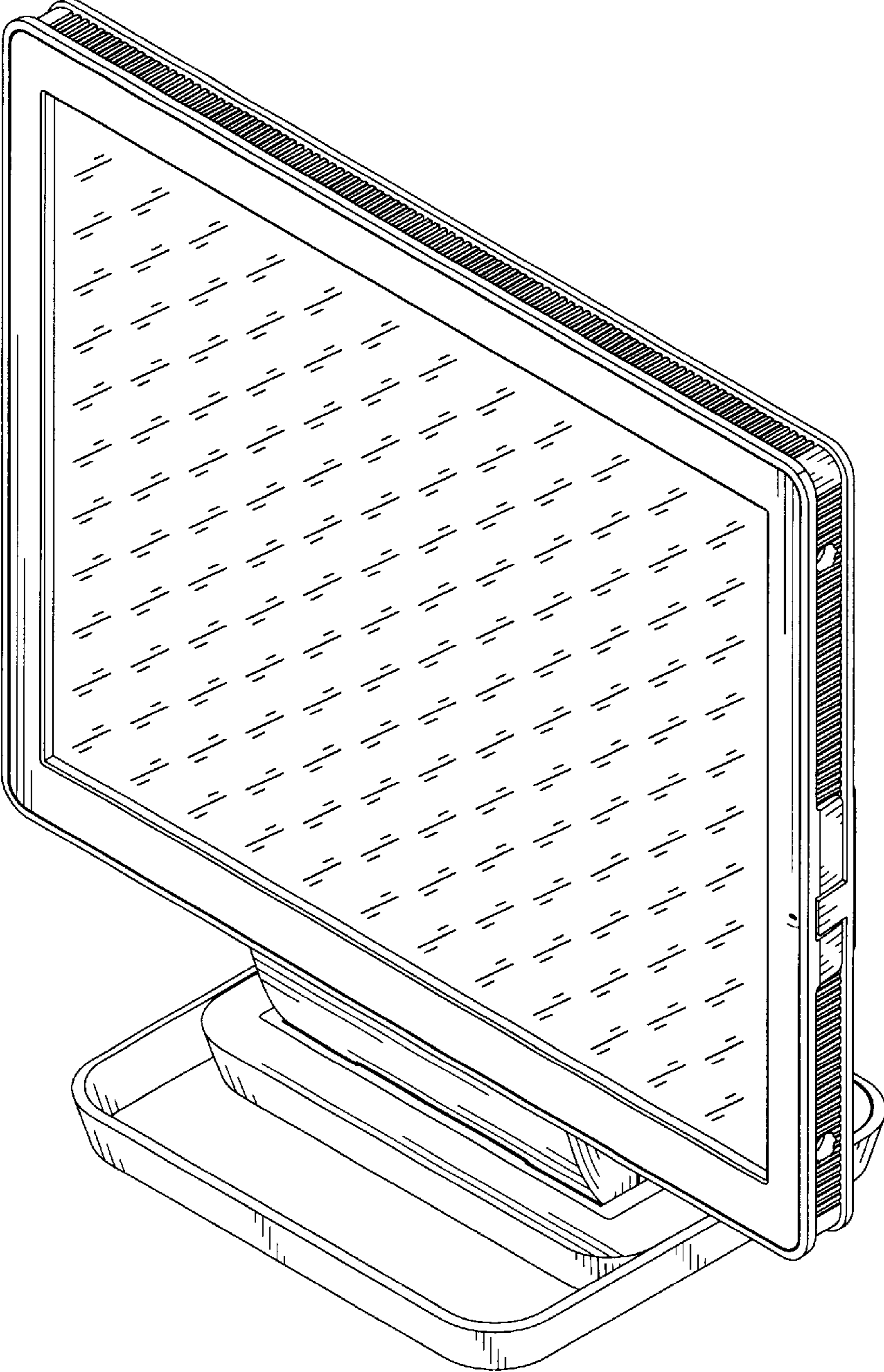


FIG. 1

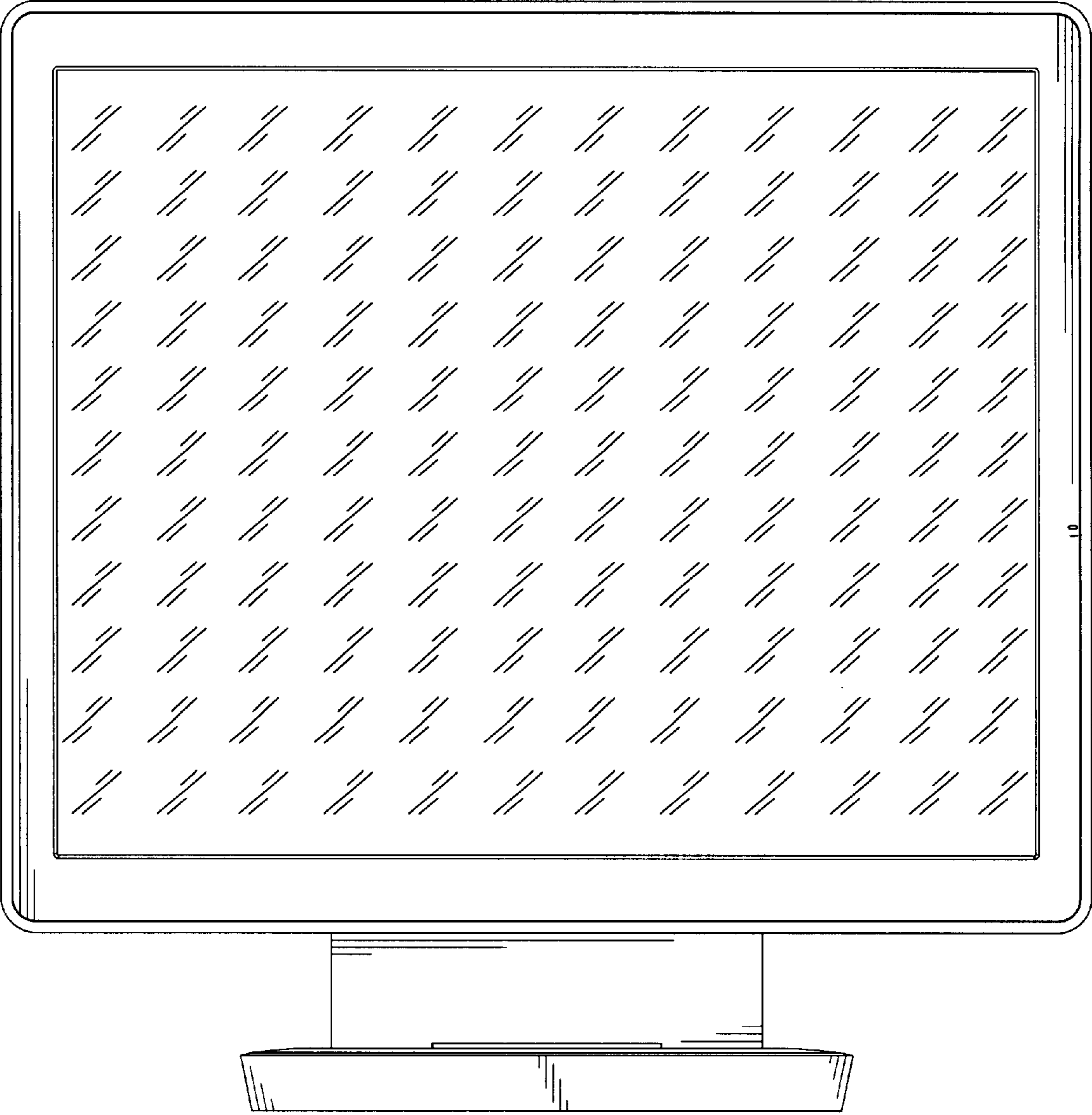


FIG. 2

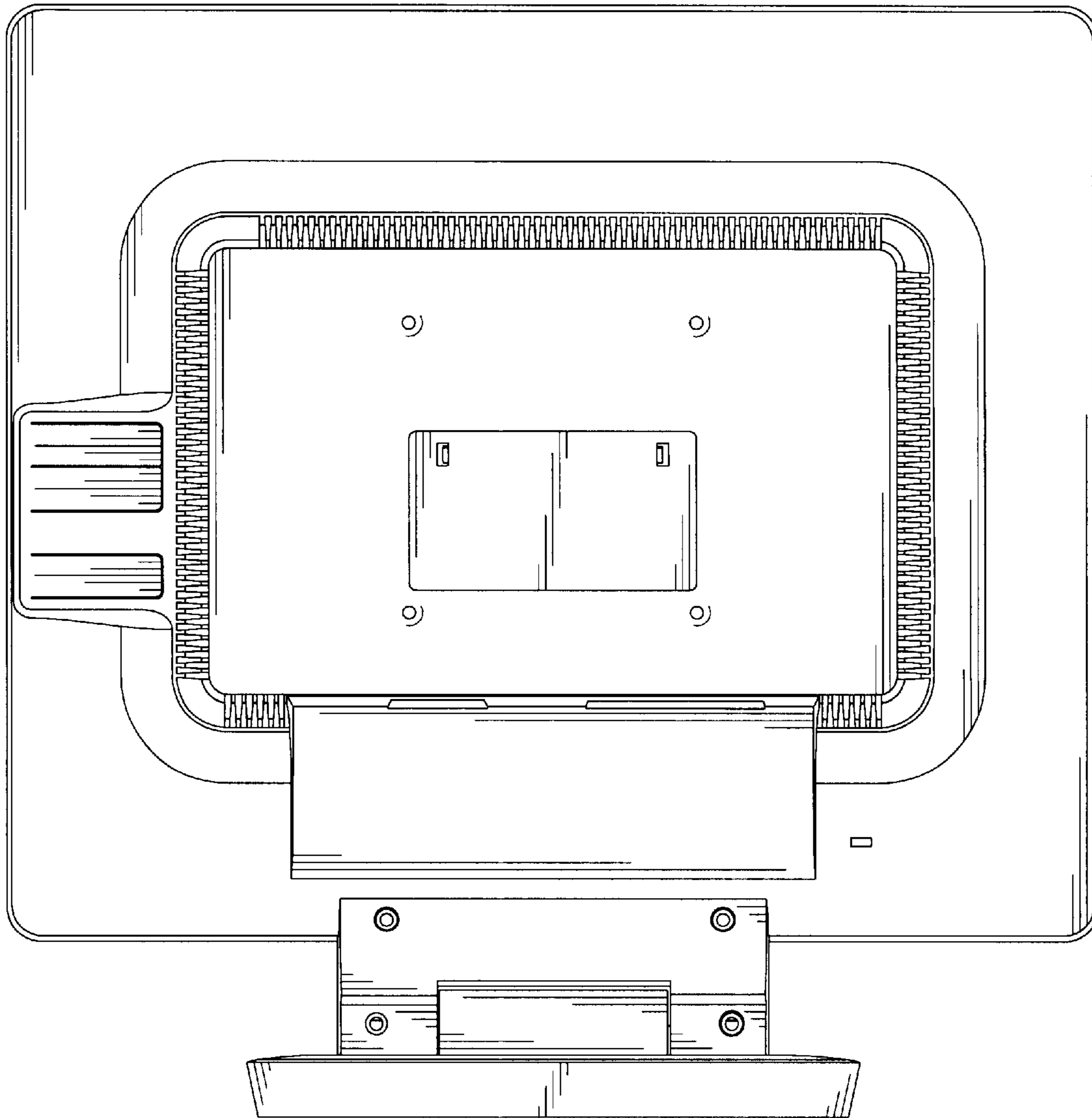


FIG. 3

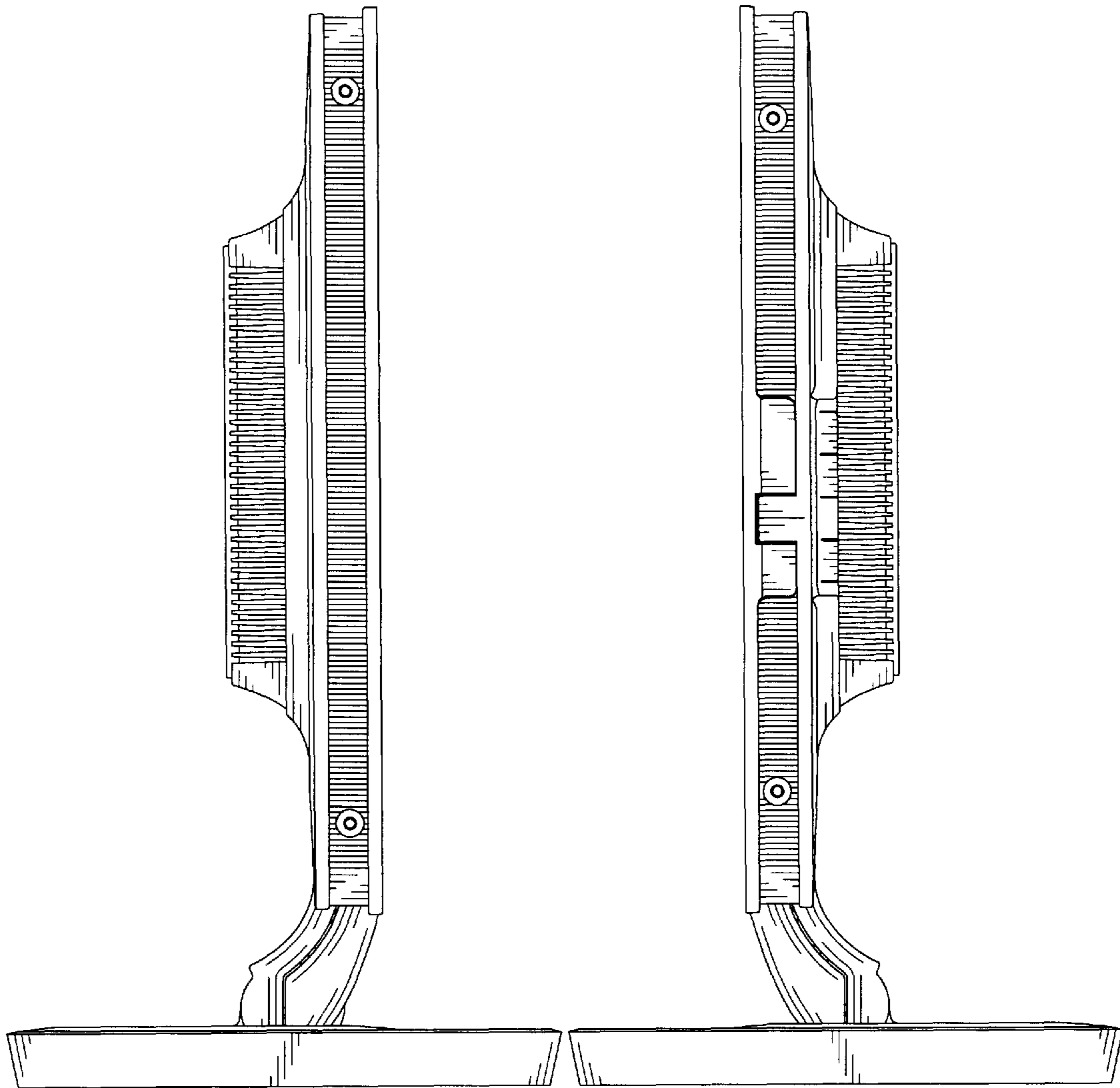


FIG. 4

FIG. 5

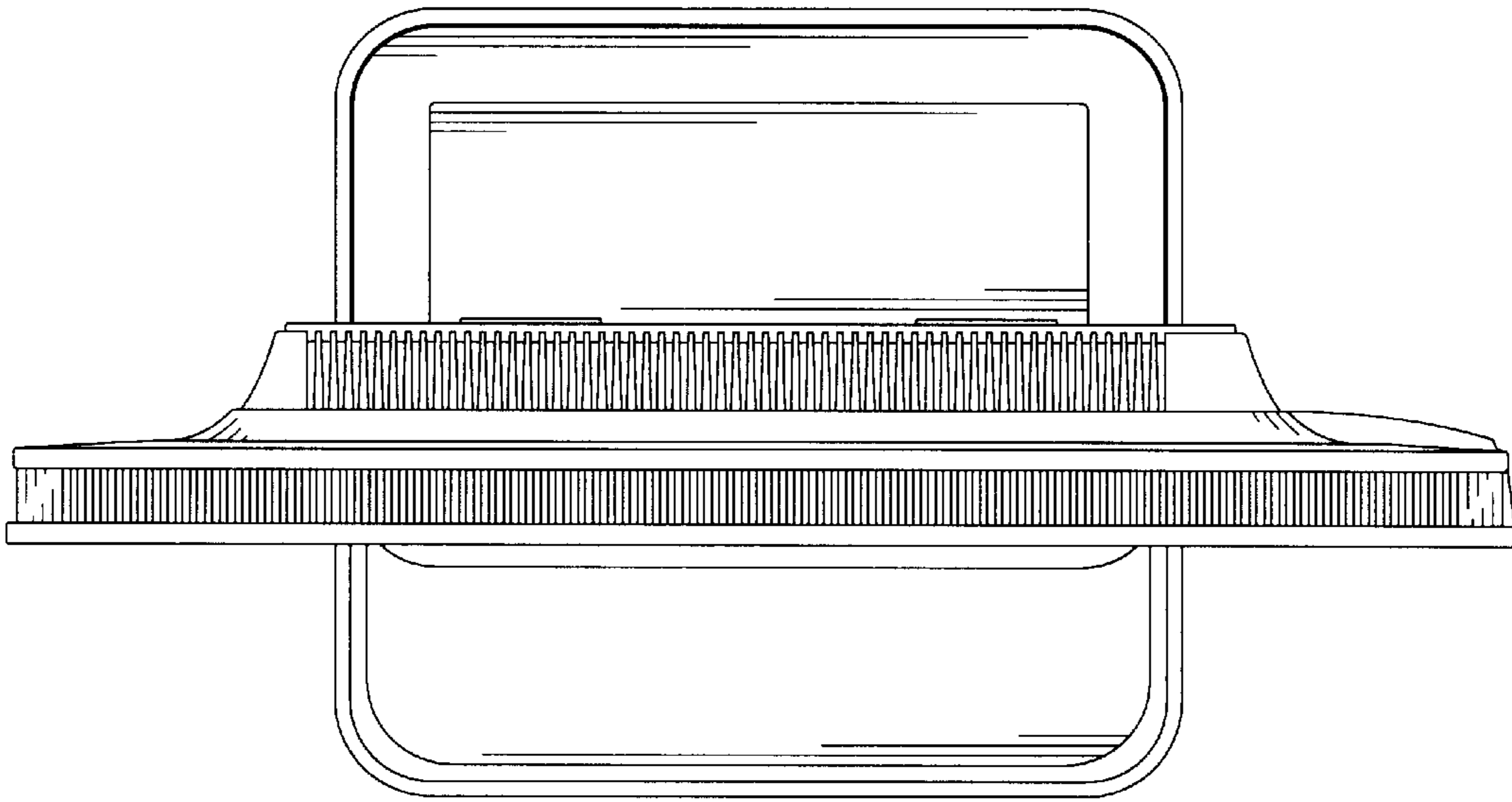


FIG. 6

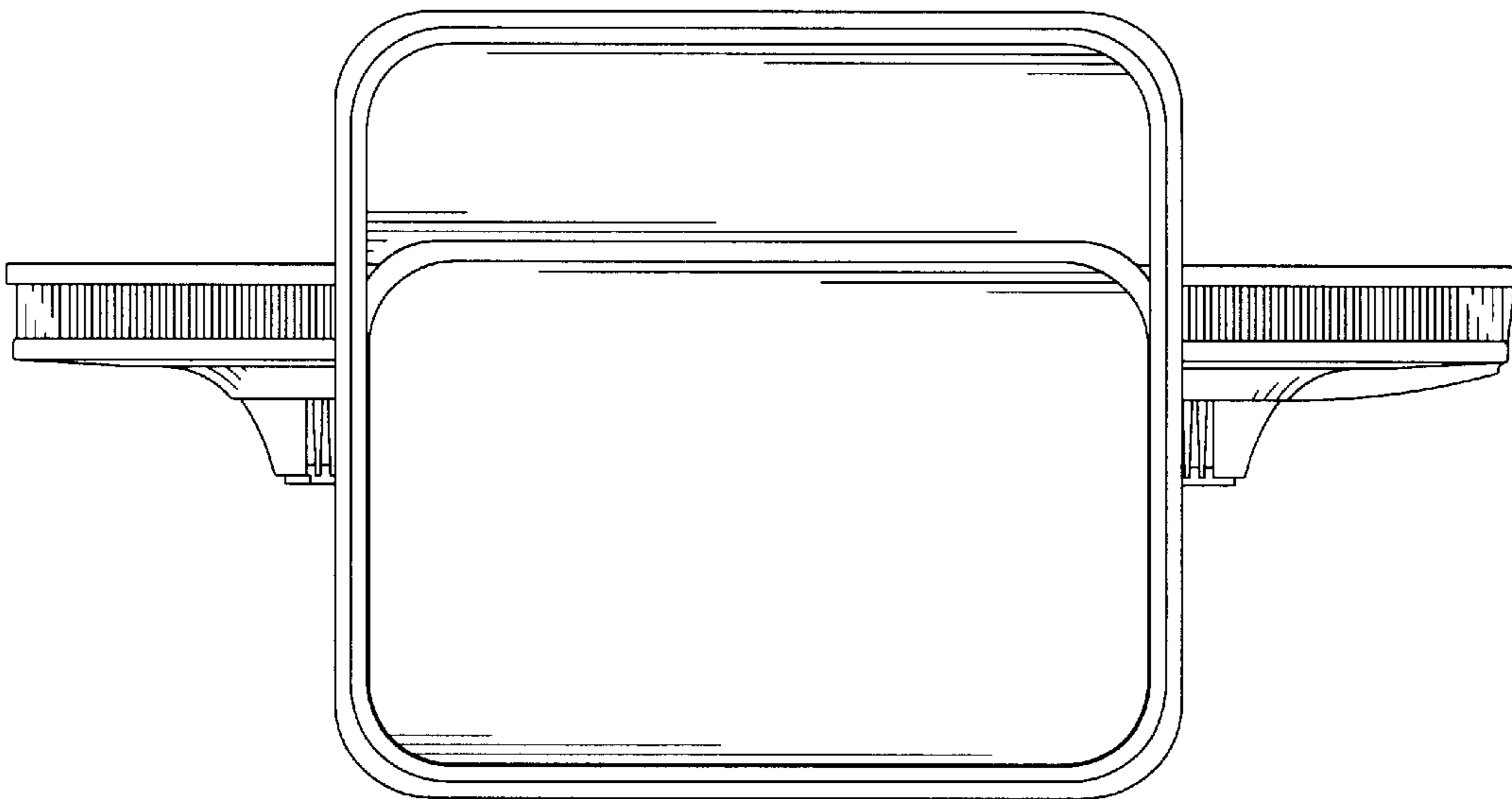


FIG. 7

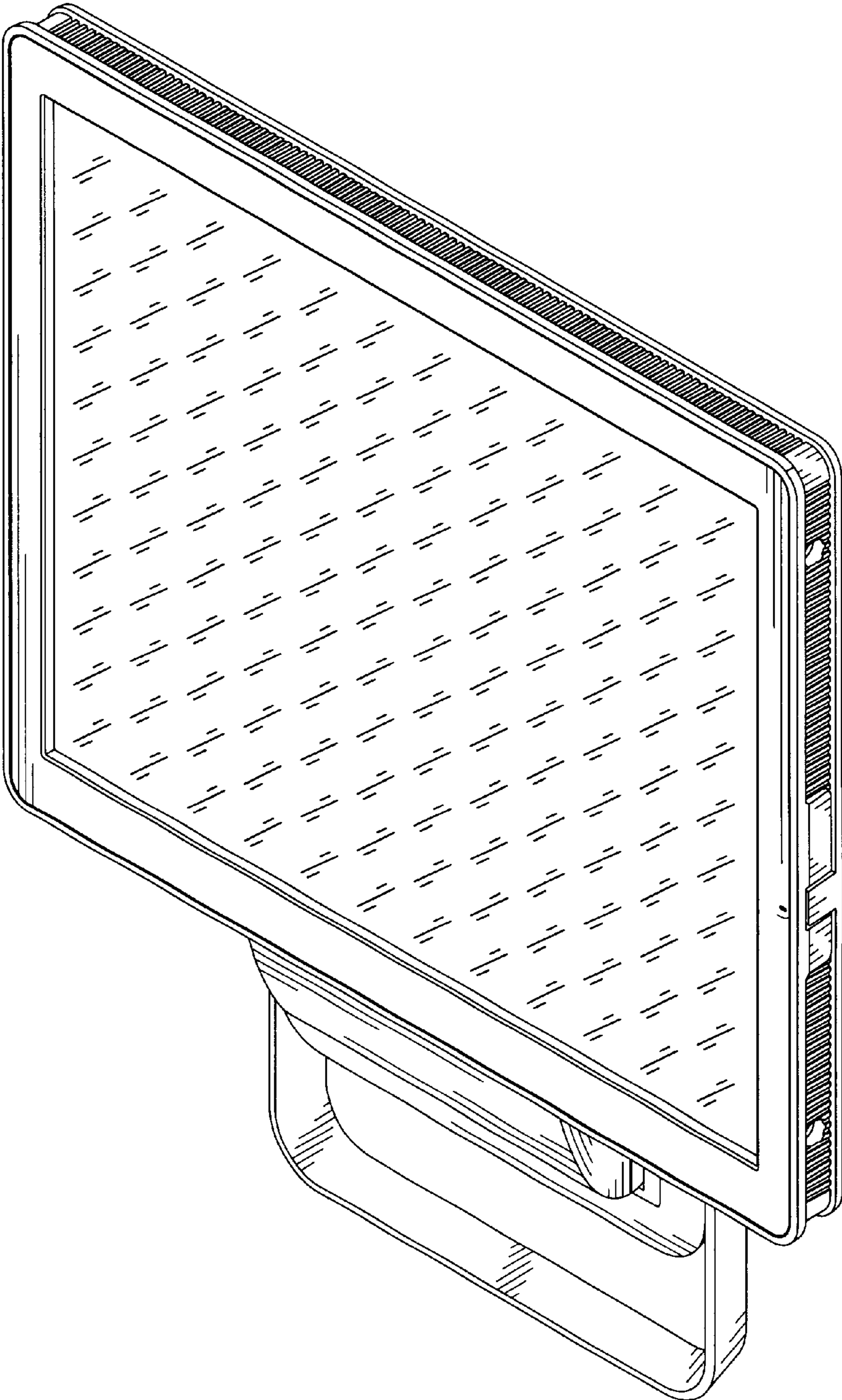


FIG. 8