



US00D530326S

(12) **United States Design Patent**  
**Chen et al.**

(10) **Patent No.:** **US D530,326 S**  
(45) **Date of Patent:** **\*\* Oct. 17, 2006**

(54) **LCD MONITOR**

(75) Inventors: **Yung-Hsiang Chen**, Miao-Li (TW);  
**Che-Min Huang**, Miao-Li (TW);  
**Meng-Tse Tsai**, Miao-Li (TW);  
**Ming-Chih Huang**, Miao-Li (TW)

(73) Assignee: **Innolux Display Corp.**, Miao-Li (TW)

(\*\*) Term: **14 Years**

(21) Appl. No.: **29/239,022**

(22) Filed: **Sep. 23, 2005**

(30) **Foreign Application Priority Data**

Aug. 8, 2005 (CN) ..... 09430739

(51) **LOC (8) Cl.** ..... **14-02**

(52) **U.S. Cl.** ..... **D14/375**

(58) **Field of Classification Search** ..... D14/371-375,  
D14/125-129; 248/917-924, 291.1, 282.1;  
341/12; 345/104, 156, 168, 173, 901-905;  
348/180, 184, 325, 739; 349/1, 2, 11, 62;  
D6/422; 296/37.7

See application file for complete search history.

(56) **References Cited**

**U.S. PATENT DOCUMENTS**

D425,035 S \* 5/2000 Kondo et al. .... D14/375  
D468,311 S \* 1/2003 Lee ..... D14/375

D469,091 S \* 1/2003 Hasegawa et al. .... D14/375  
6,543,734 B1 \* 4/2003 Yeh ..... 248/291.1  
D476,335 S \* 6/2003 Miao et al. .... D14/375  
D482,688 S \* 11/2003 Jung ..... D14/375  
6,695,376 B1 \* 2/2004 Hirano ..... 296/37.7  
D496,184 S \* 9/2004 Sapp ..... D6/422  
2005/0056750 A1 \* 3/2005 Lai et al. .... 248/282.1

\* cited by examiner

*Primary Examiner*—Freda S. Nunn

(74) *Attorney, Agent, or Firm*—Wei Te Chung

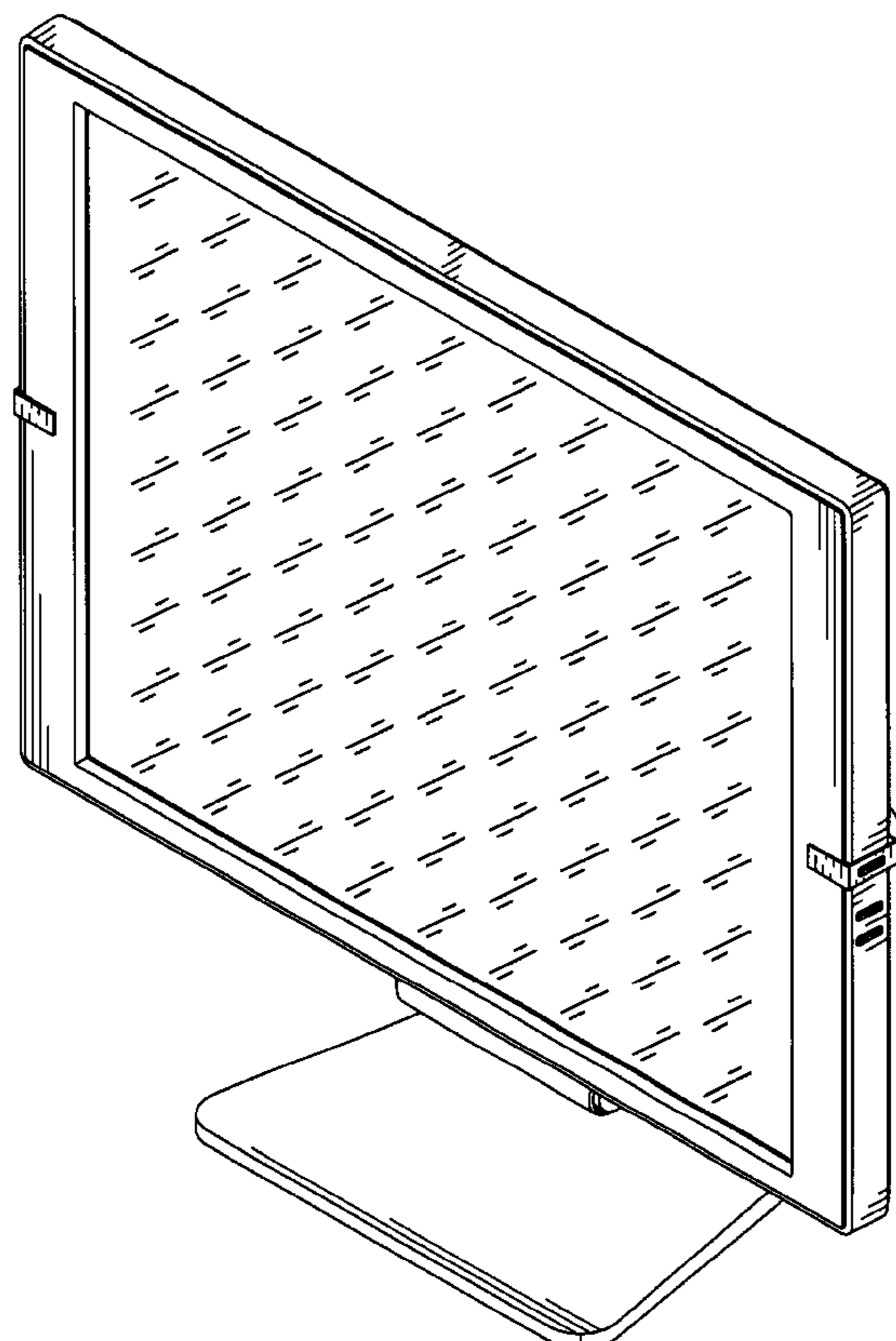
(57) **CLAIM**

The ornamental design for a LCD monitor, as shown and described.

**DESCRIPTION**

FIG. 1 is a front, top, right-side perspective view of a LCD monitor showing our new design;  
FIG. 2 is a front elevational view thereof;  
FIG. 3 is a rear elevational view thereof;  
FIG. 4 is a left side elevational view thereof;  
FIG. 5 is a right side elevational view thereof;  
FIG. 6 is a top plan view thereof;  
FIG. 7 is a bottom plan view thereof; and,  
FIG. 8 is a view of using state thereof.  
The broken lines are shown in FIG. 8 for illustrative purposes only and form no part of the claimed design.

**1 Claim, 6 Drawing Sheets**



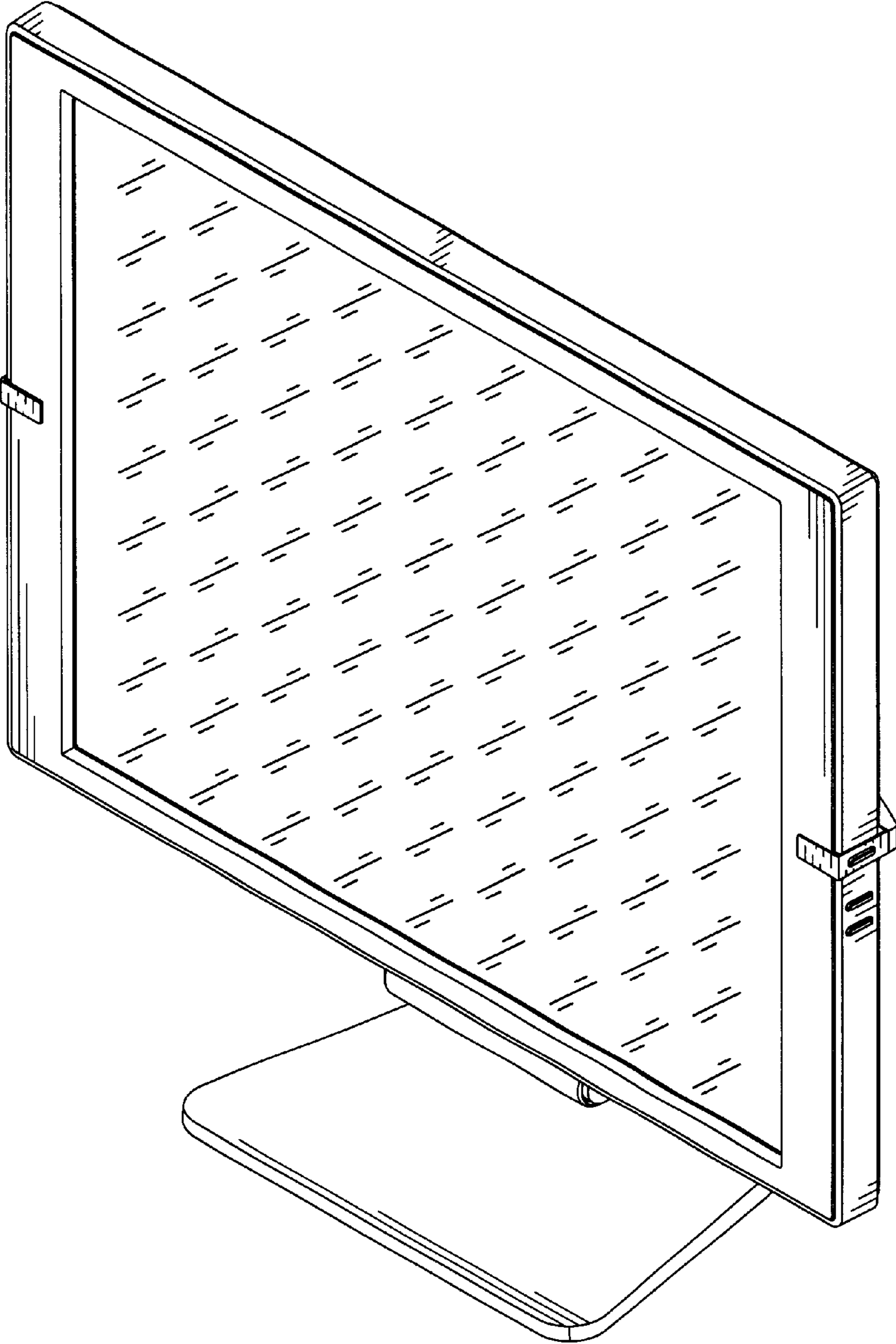


FIG. 1

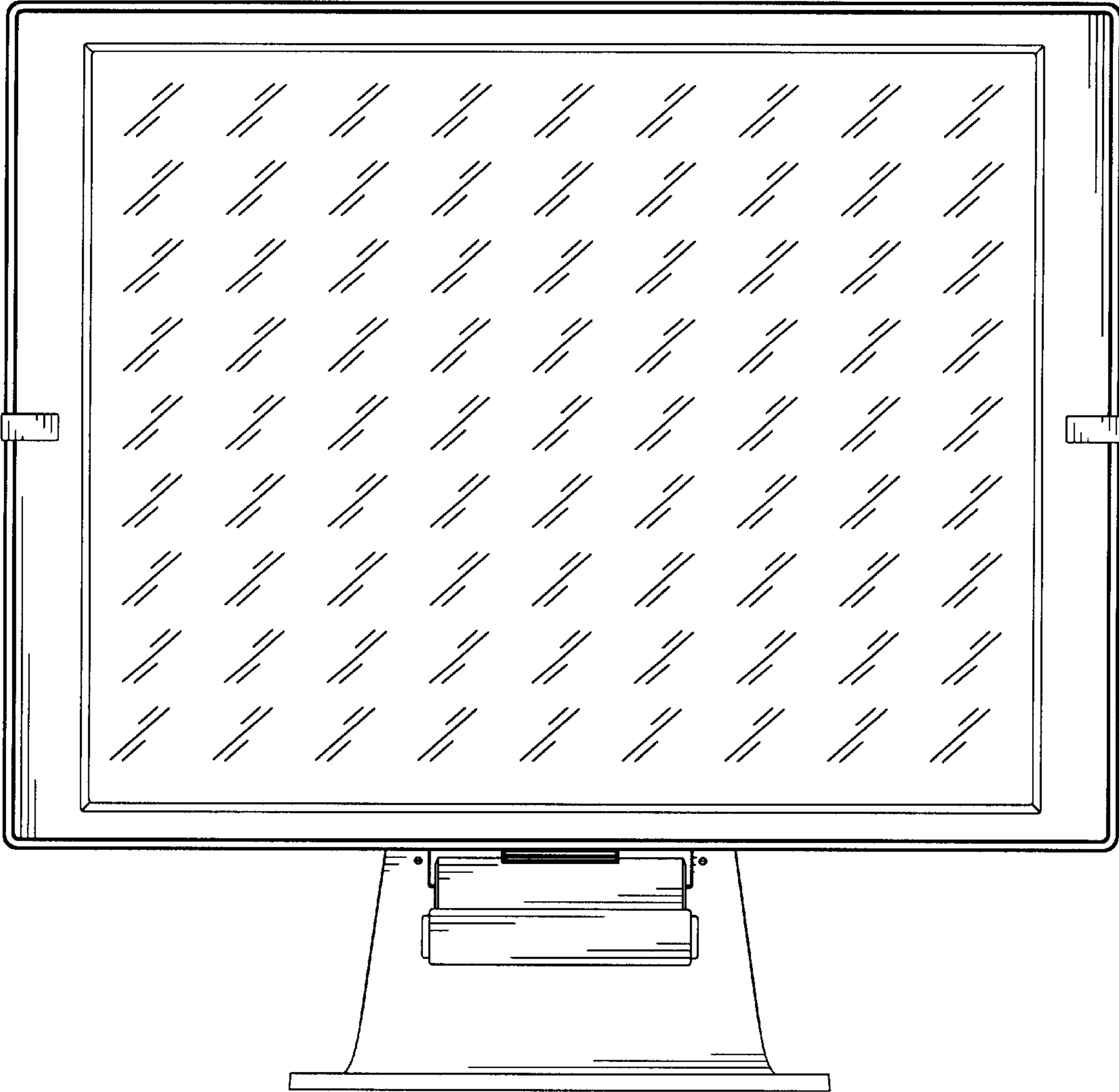


FIG. 2

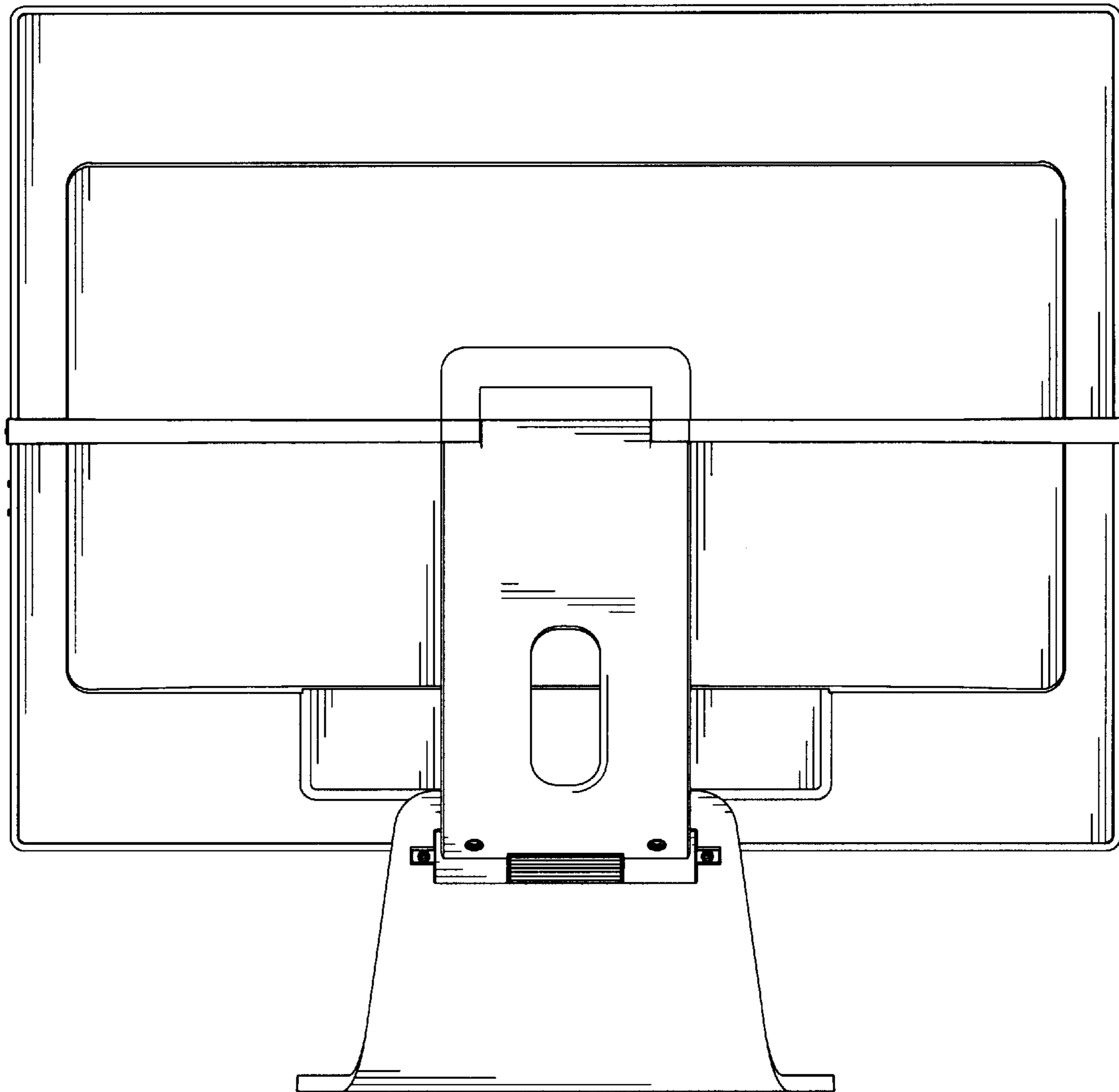


FIG. 3

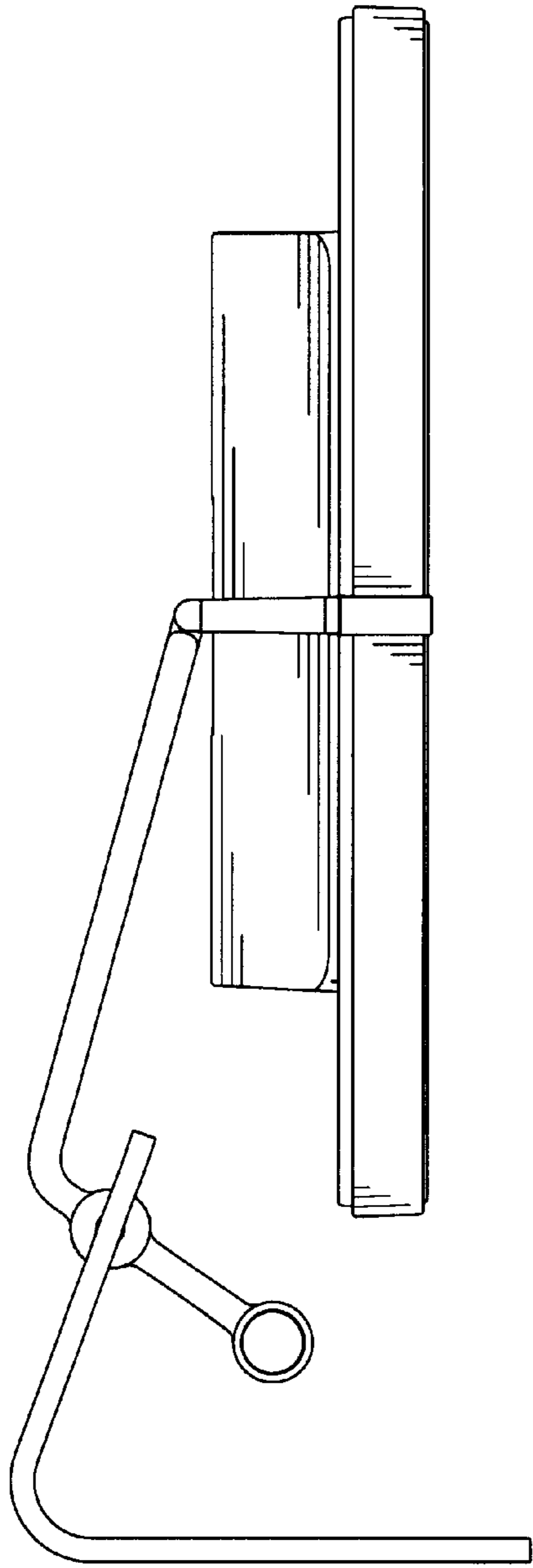


FIG. 4

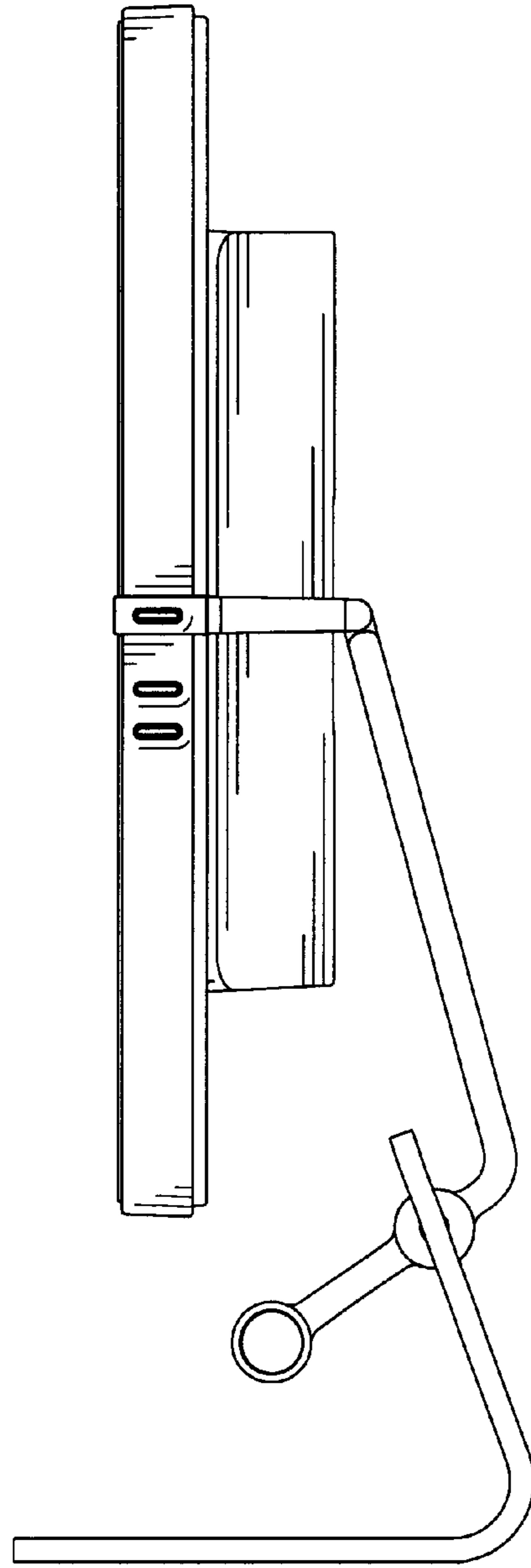


FIG. 5

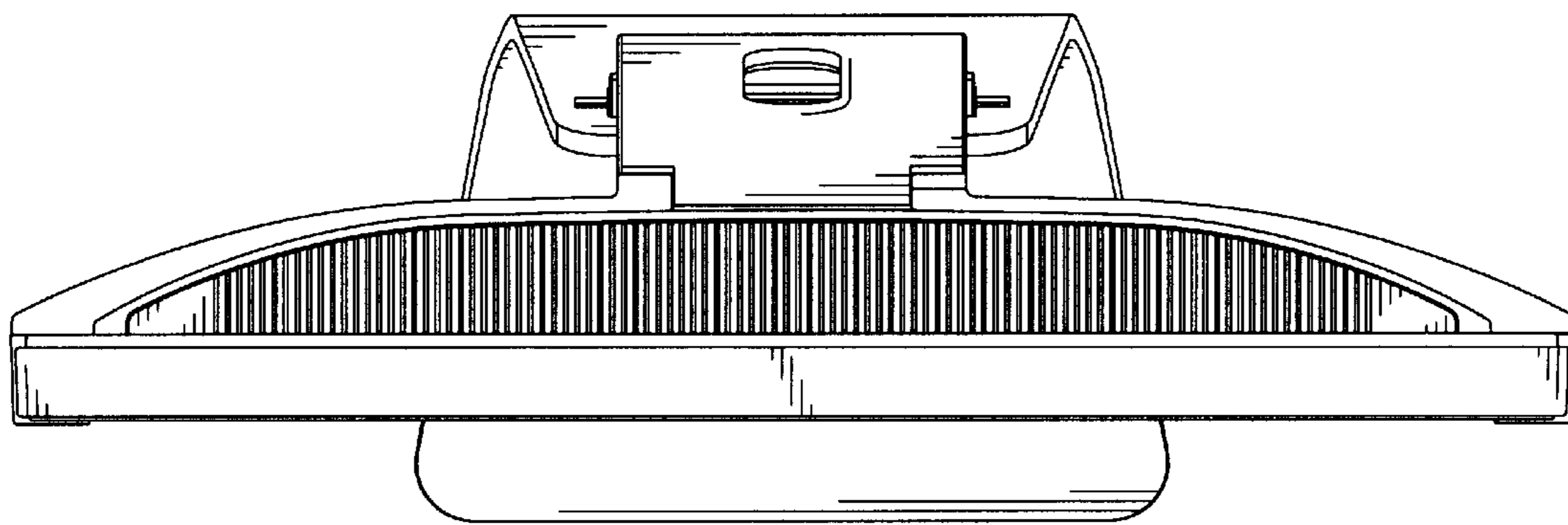


FIG. 6

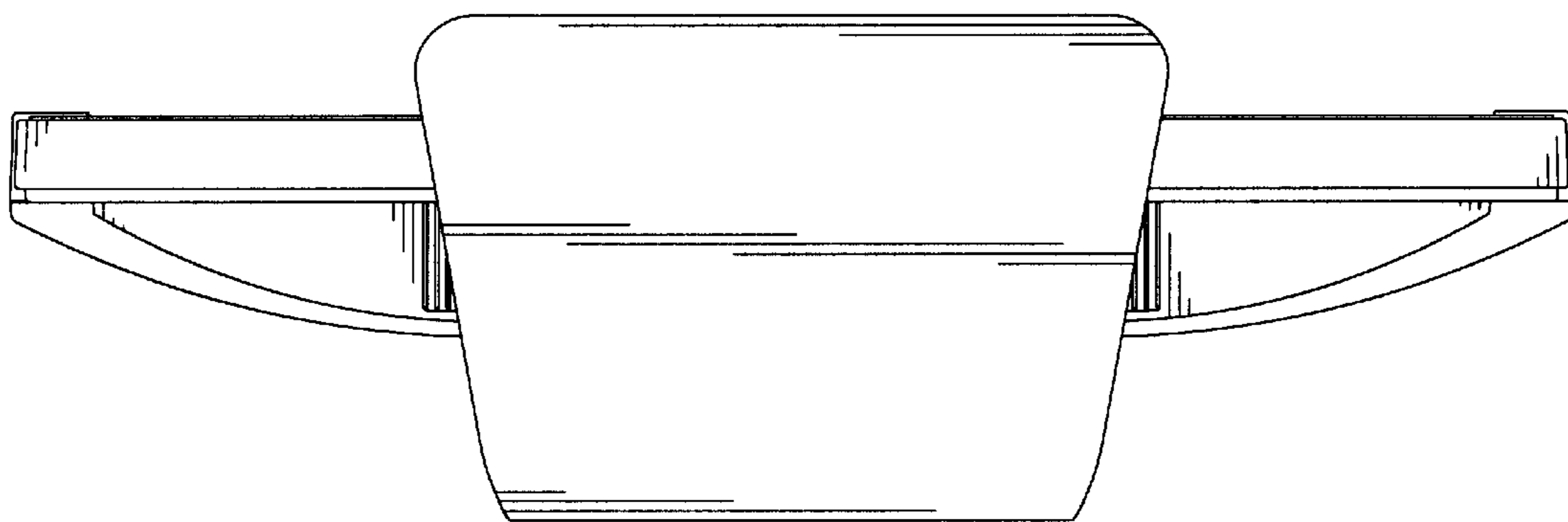


FIG. 7

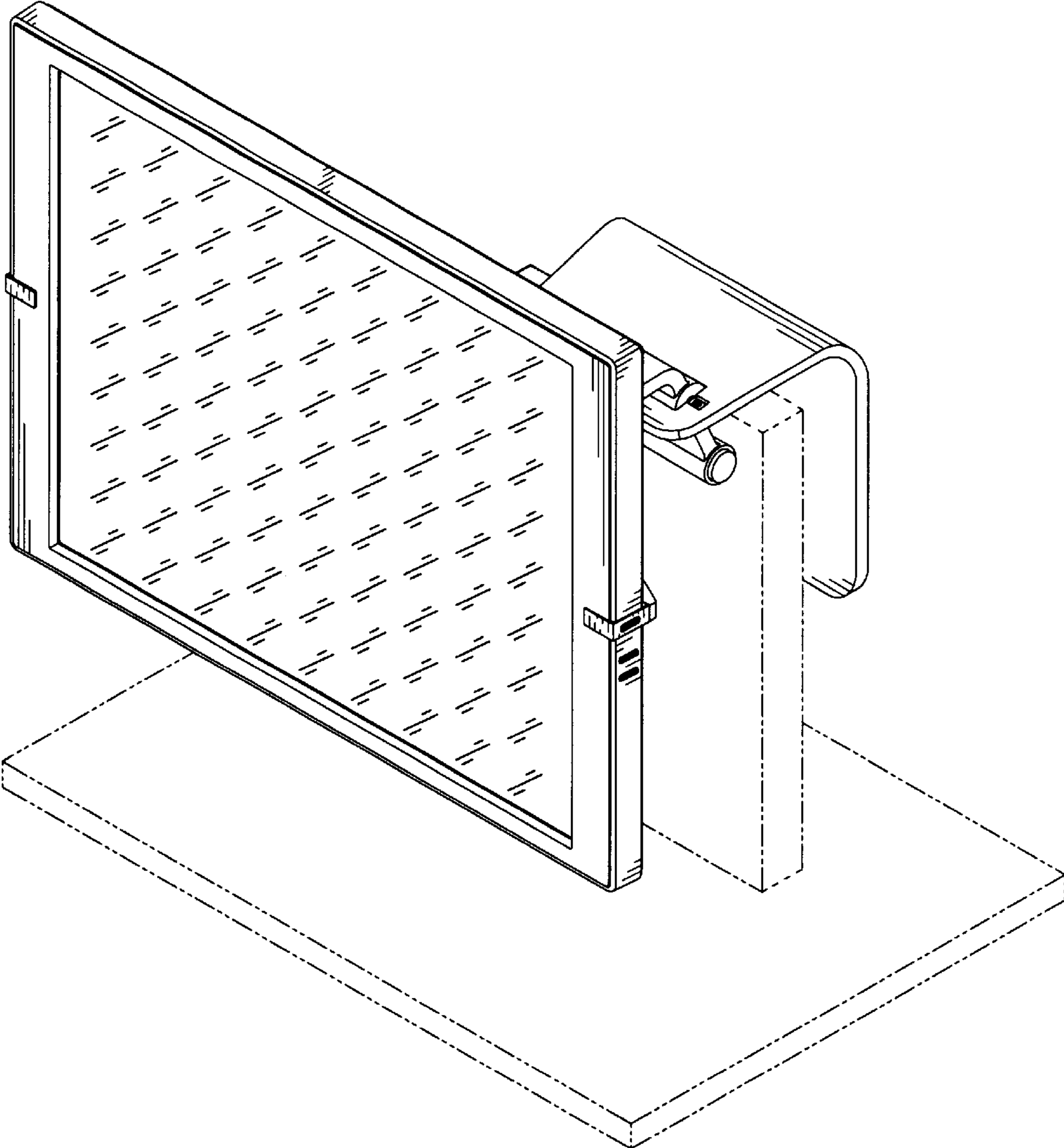


FIG. 8