



US00D530325S

(12) **United States Design Patent**
Kerila et al.

(10) **Patent No.:** **US D530,325 S**
(45) **Date of Patent:** **** Oct. 17, 2006**

(54) **PERIPHERAL DEVICE**

2004/0105230 A1 * 6/2004 Lin 361/685
2004/0120112 A1 * 6/2004 Mullen et al. 361/686

(75) Inventors: **Larry Kerila**, San Jose, CA (US);
Michelle Yu, Hayward, CA (US);
Patrick Rada, San Jose, CA (US)

* cited by examiner

(73) Assignee: **Netgear, Inc.**, Santa Clara, CA (US)

Primary Examiner—Robin Webster

Assistant Examiner—Karen E. Patterson

(**) Term: **14 Years**

(74) *Attorney, Agent, or Firm*—Wilson Sonsini Goodrich & Rosati

(21) Appl. No.: **29/233,436**

(57) **CLAIM**

(22) Filed: **Jun. 30, 2005**

The ornamental design for a peripheral device, as shown and described.

(51) **LOC (8) Cl.** **14-02**

DESCRIPTION

(52) **U.S. Cl.** **D14/356; D14/240**

(58) **Field of Classification Search** D14/125,
D14/135-7, 156, 167, 239-40, 242-3, 256,
D14/299, 300-1, 313, 348-9, 351-4, 356-8,
D14/361, 363, 366-368, 385, 401, 433-434;
455/73, 90.3, 347; 361/679, 685-6
See application file for complete search history.

This application is related to the following United States patent applications: Utility patent application Peripheral Device with Visual Indicators to Show Utilization of Radio Component, Ser. No. 11/173,888, invented by Patrick Rada and Smiley Kuntjoro and filed concurrently herewith; and Utility patent application for Peripheral Device with Visual Indicators, Ser. No. 11/173,984, invented by Patrick Rada and Smiley Kuntjoro and filed concurrently herewith; Each of the foregoing applications are incorporated herein by reference in their entirety.

(56) **References Cited**

U.S. PATENT DOCUMENTS

D351,158 S	*	10/1994	Sacherman et al.	D14/137
D368,097 S	*	3/1996	Heberling et al.	D14/242
D417,442 S	*	12/1999	Butts et al.	D14/385
D420,362 S	*	2/2000	Pedraza et al.	D14/242
D460,069 S	*	7/2002	Greenhalgh et al.	D14/368
D460,443 S	*	7/2002	Brunner et al.	D14/240
D480,372 S	*	10/2003	Chen et al.	D14/136
6,791,827 B1	*	9/2004	Kuo	361/683
D504,429 S	*	4/2005	Muto	D14/385
D509,214 S	*	9/2005	Chung	D14/240
D512,977 S	*	12/2005	Chan	D14/156

FIG. 1 is a top view of a peripheral device, showing our new design;

FIG. 2 is a bottom view thereof;

FIG. 3 is a right side view thereof;

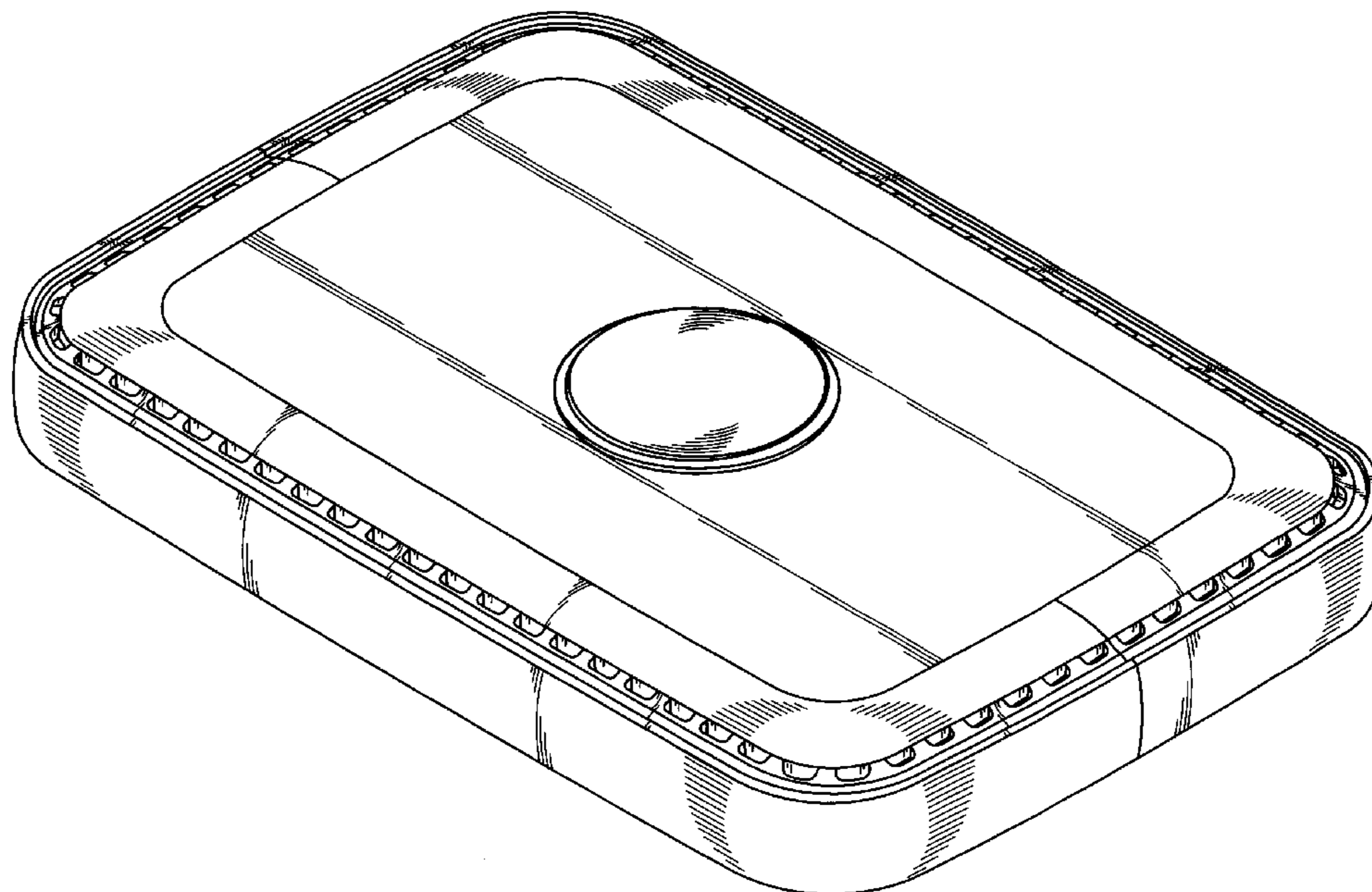
FIG. 4 is a left side view thereof;

FIG. 5 is a front view thereof;

FIG. 6 is a rear view thereof; and,

FIG. 7 is a top, front, right perspective view thereof.

1 Claim, 7 Drawing Sheets



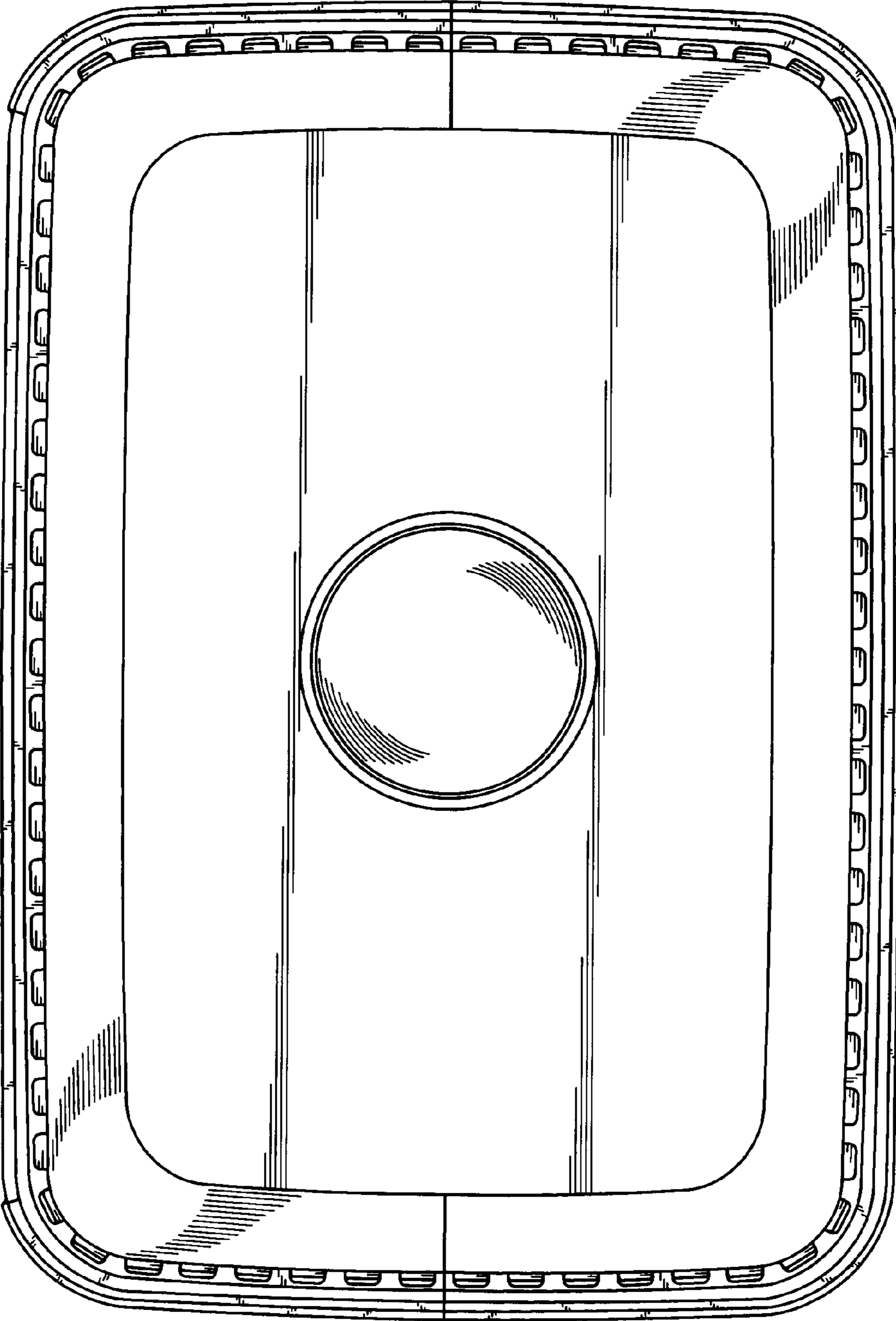


Figure 1

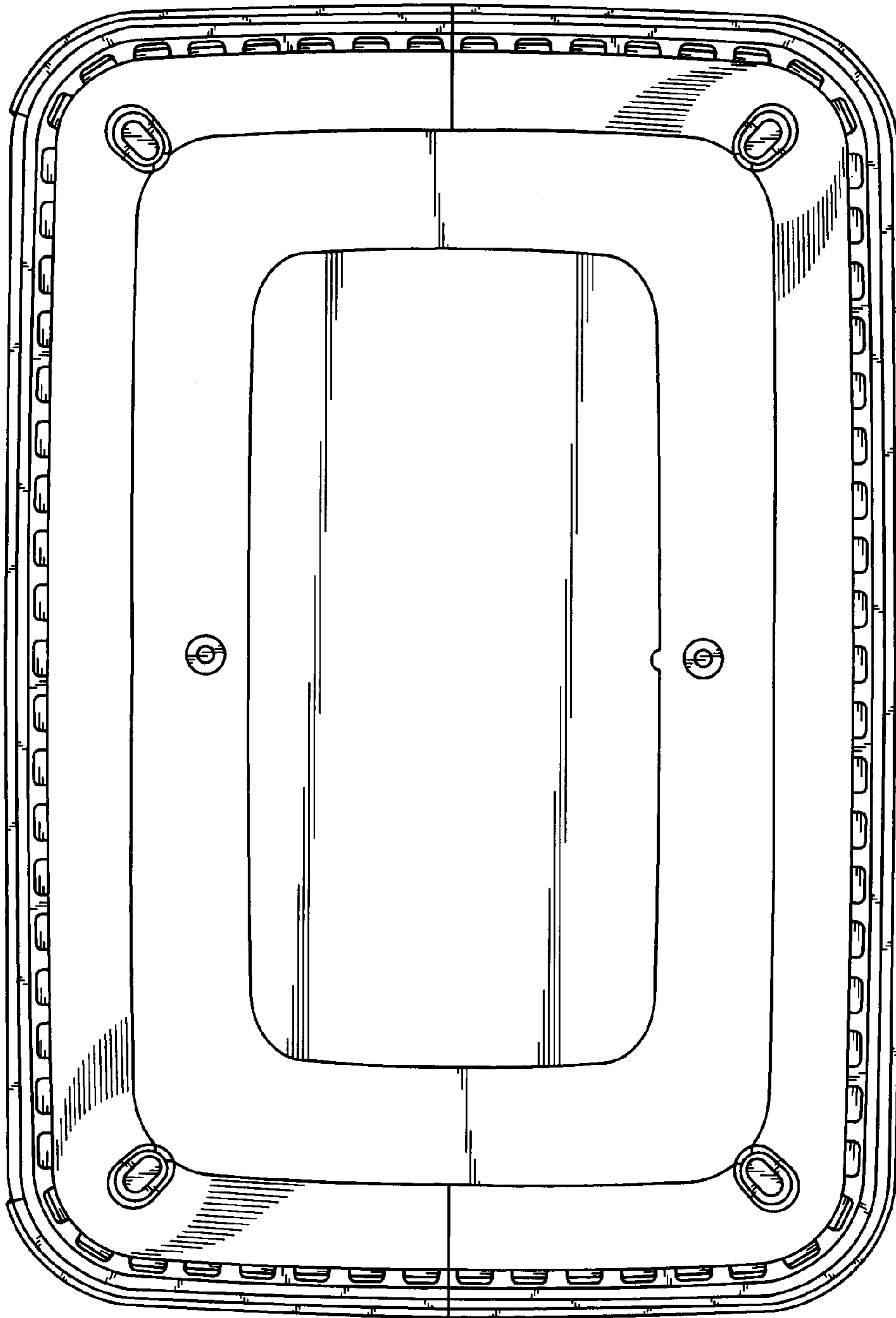


Figure 2

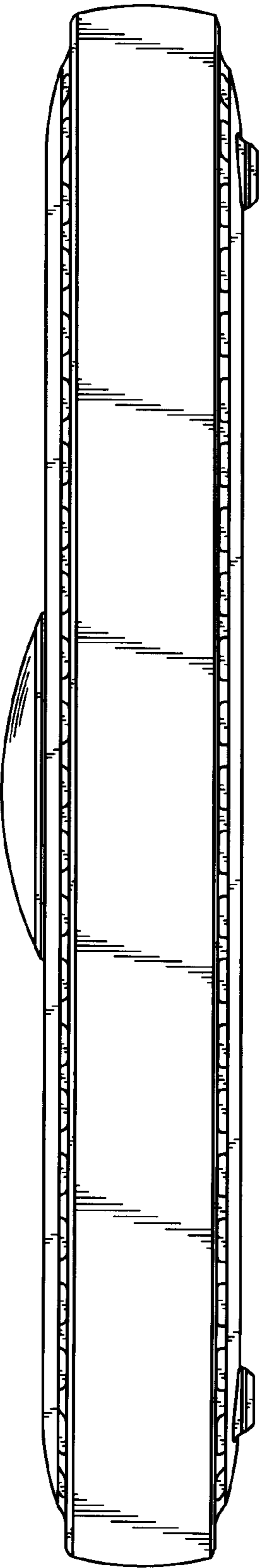


Figure 3

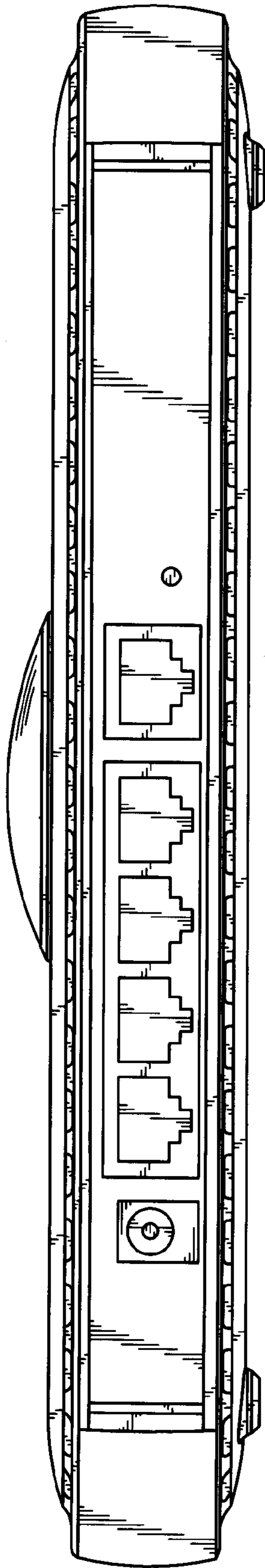


Figure 4

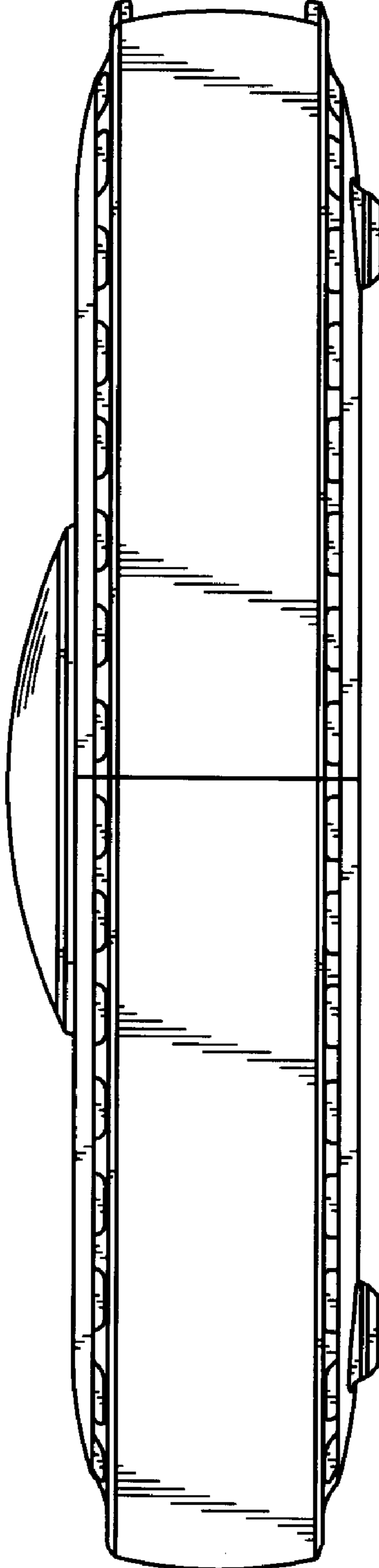


Figure 5

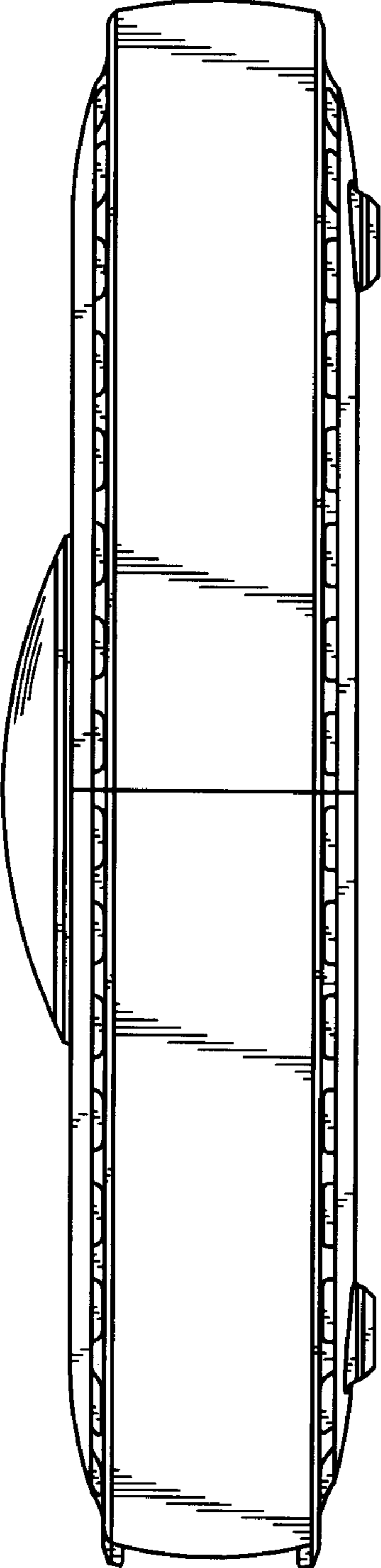


Figure 6

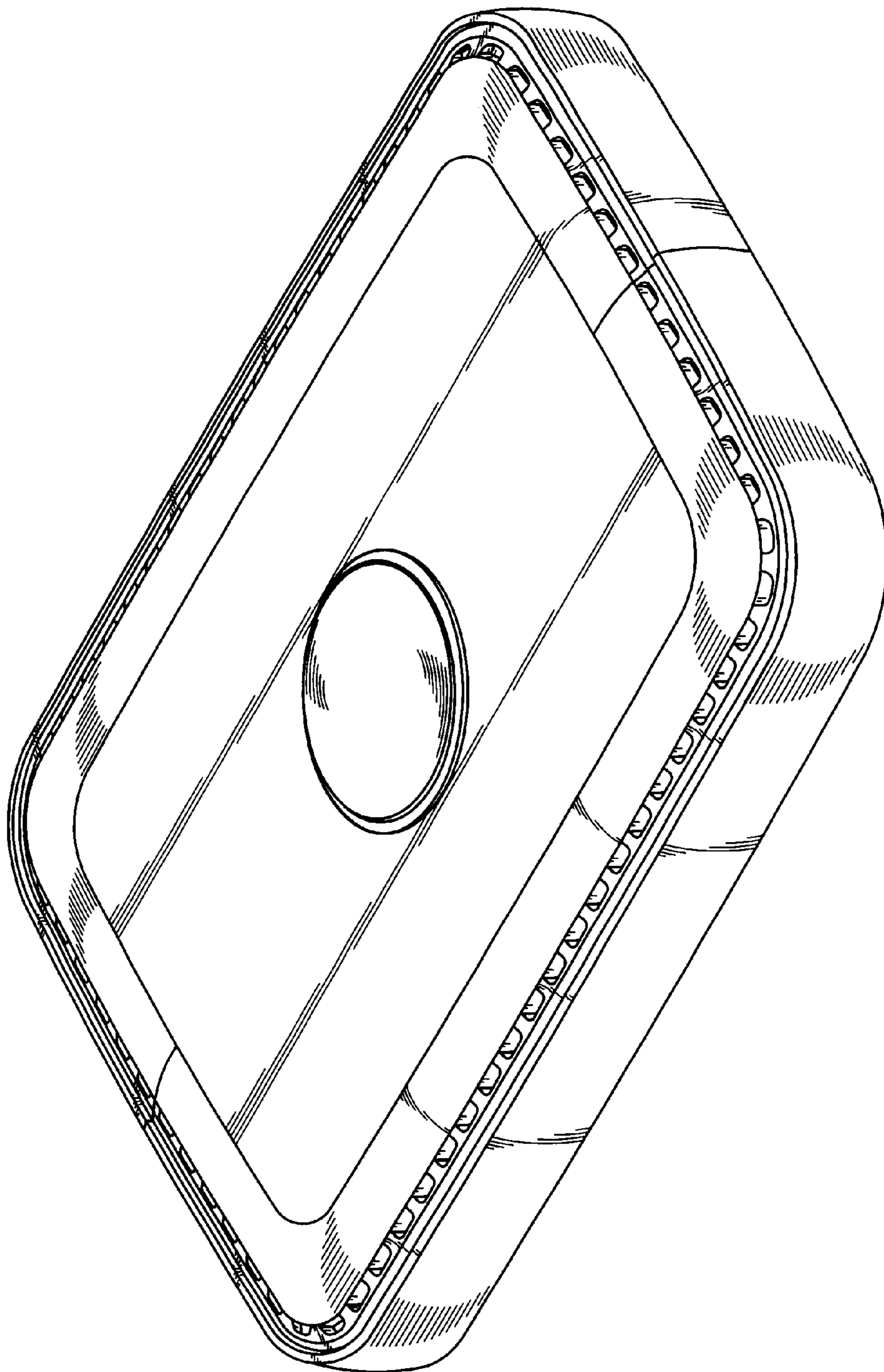


Figure 7