



US00D530320S

(12) **United States Design Patent**
Schultz et al.

(10) **Patent No.:** **US D530,320 S**

(45) **Date of Patent:** **** Oct. 17, 2006**

(54) **PORTABLE COMPUTER HOUSING**

(75) Inventors: **John David Schultz**, Austin, TX (US);
Robert Brunner, San Francisco, CA
(US); **Benjamin Pei-Ming Chia**,
Cupertino, CA (US); **Toshiyuki**
Tanaka, Austin, TX (US); **Steven D.**
Gluskoter, Austin, TX (US); **Symon**
Whitehorn, Sausalito, CA (US)

(73) Assignee: **Dell Products L.P.**, Round Rock, TX
(US)

(**) Term: **14 Years**

(21) Appl. No.: **29/234,686**

(22) Filed: **Jul. 21, 2005**

(51) **LOC (8) Cl.** **14-02**

(52) **U.S. Cl.** **D14/315**

(58) **Field of Classification Search** D14/315-328;
D18/1, 2, 7, 11; 235/145 A, 145 R; 341/22,
341/23; 345/104, 156, 168, 169, 173; 361/680-686;
400/486, 489

See application file for complete search history.

(56) **References Cited**

U.S. PATENT DOCUMENTS

5,774,384 A * 6/1998 Okaya et al. 345/169
D396,703 S * 8/1998 Han D14/318
D408,798 S * 4/1999 Lee et al. D14/318
D430,868 S * 9/2000 Cho D14/315

D490,806 S * 6/2004 Wang et al. D14/318
D492,301 S * 6/2004 Lu D14/318
D492,677 S 7/2004 Shimizu D14/318
D498,753 S 11/2004 Yamada D14/328
D499,726 S * 12/2004 Kurokawa D14/318
D502,943 S 3/2005 Ma et al. D14/318
D504,683 S 5/2005 Kim et al. D14/315

* cited by examiner

Primary Examiner—Freda S. Nunn

(74) *Attorney, Agent, or Firm*—Hamilton & Terrile, LLP;
Stephen A. Terrile

(57) **CLAIM**

The ornamental design for a portable computer housing, as
shown and described.

DESCRIPTION

FIG. 1 is an angled top frontal perspective view of the
portable computer housing comprising the present inven-
tion;

FIG. 2 is a front elevation view thereof;

FIG. 3 is a right side elevation view thereof;

FIG. 4 is a left side elevation view thereof;

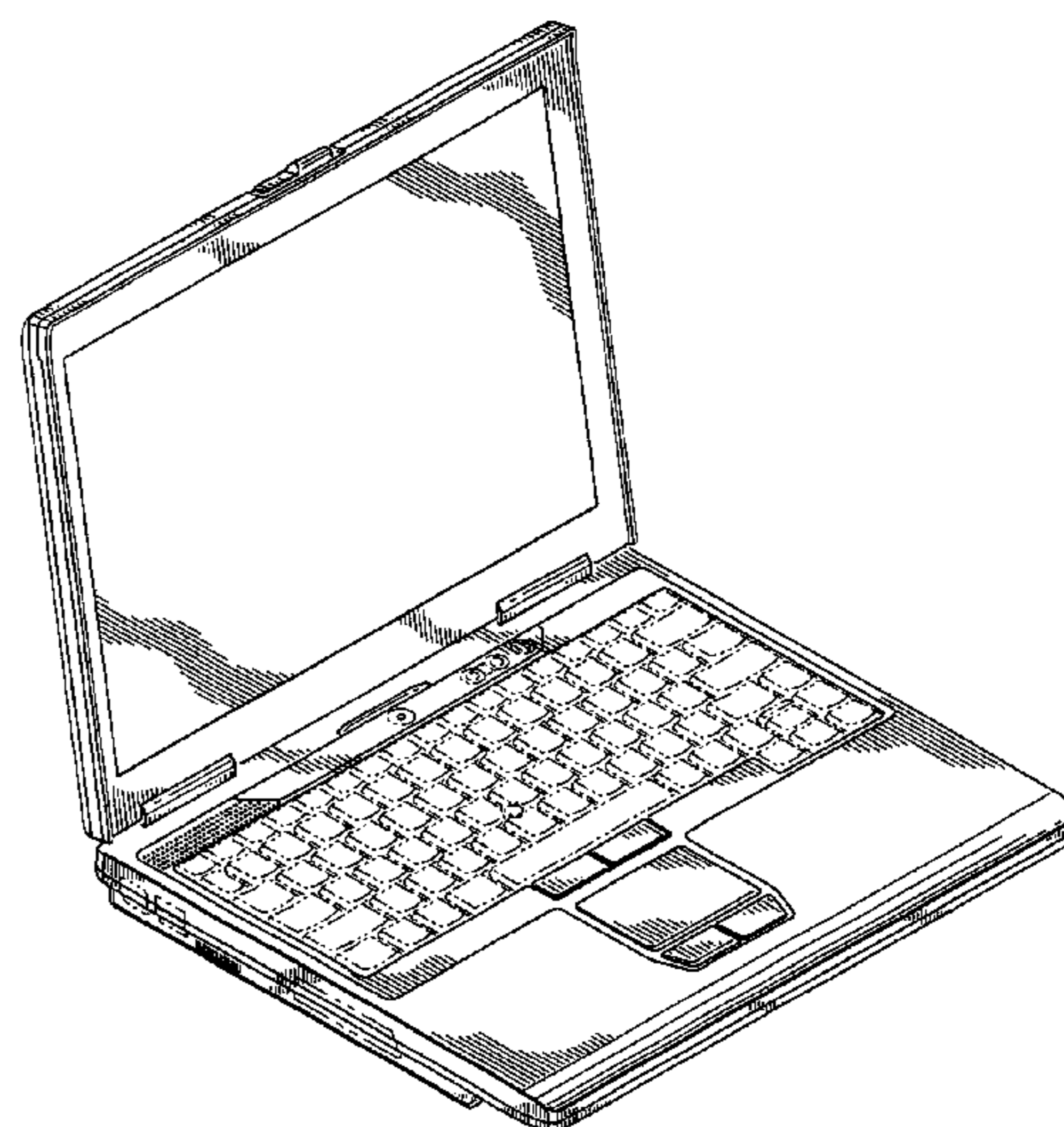
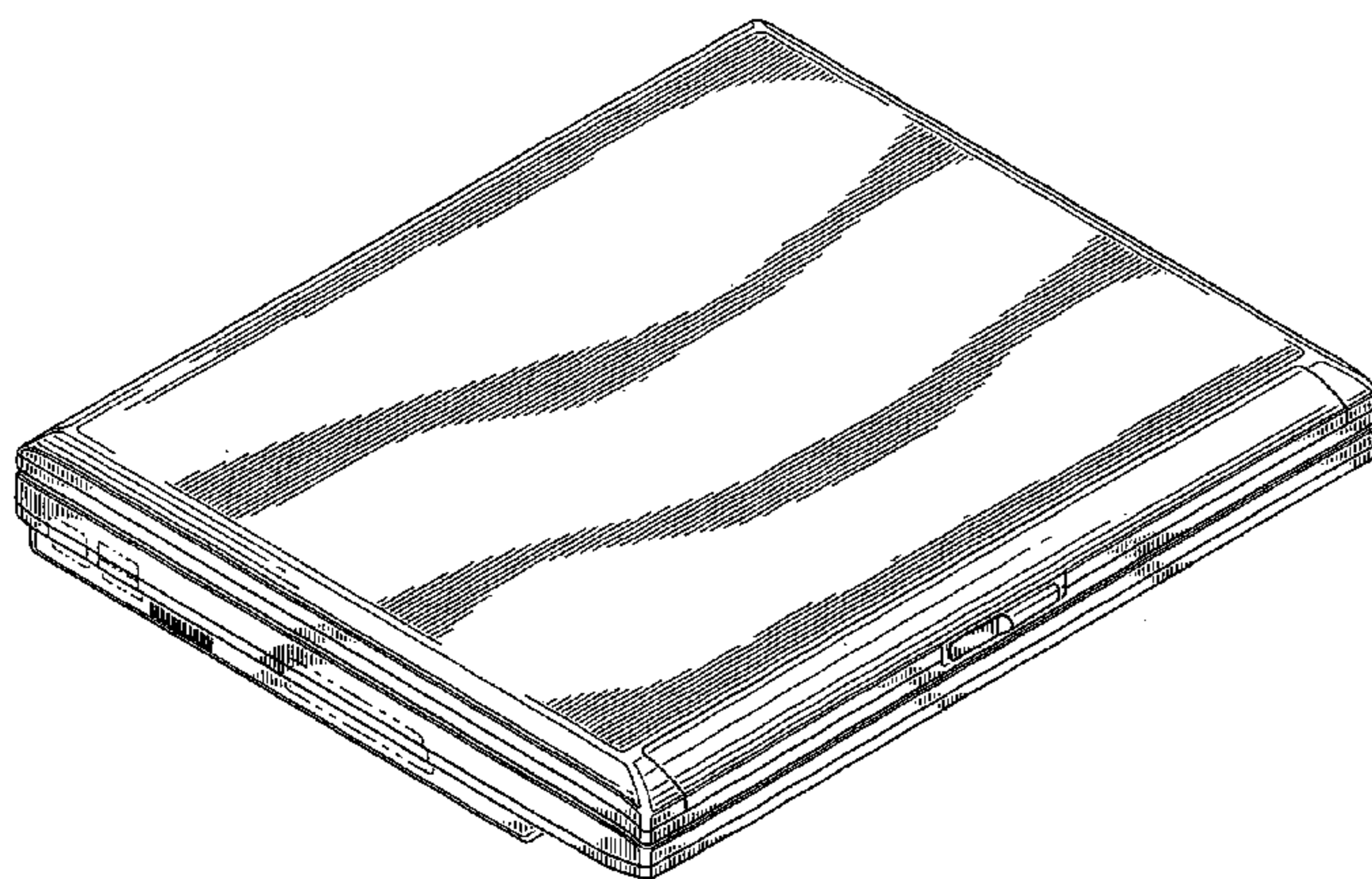
FIG. 5 is a back elevation view thereof;

FIG. 6 is a bottom plan view thereof; and,

FIG. 7 is a front perspective view thereof shown in the open
position.

The broken lines are shown in the views for illustrative
purposes only and form no part of the claimed design.

1 Claim, 4 Drawing Sheets



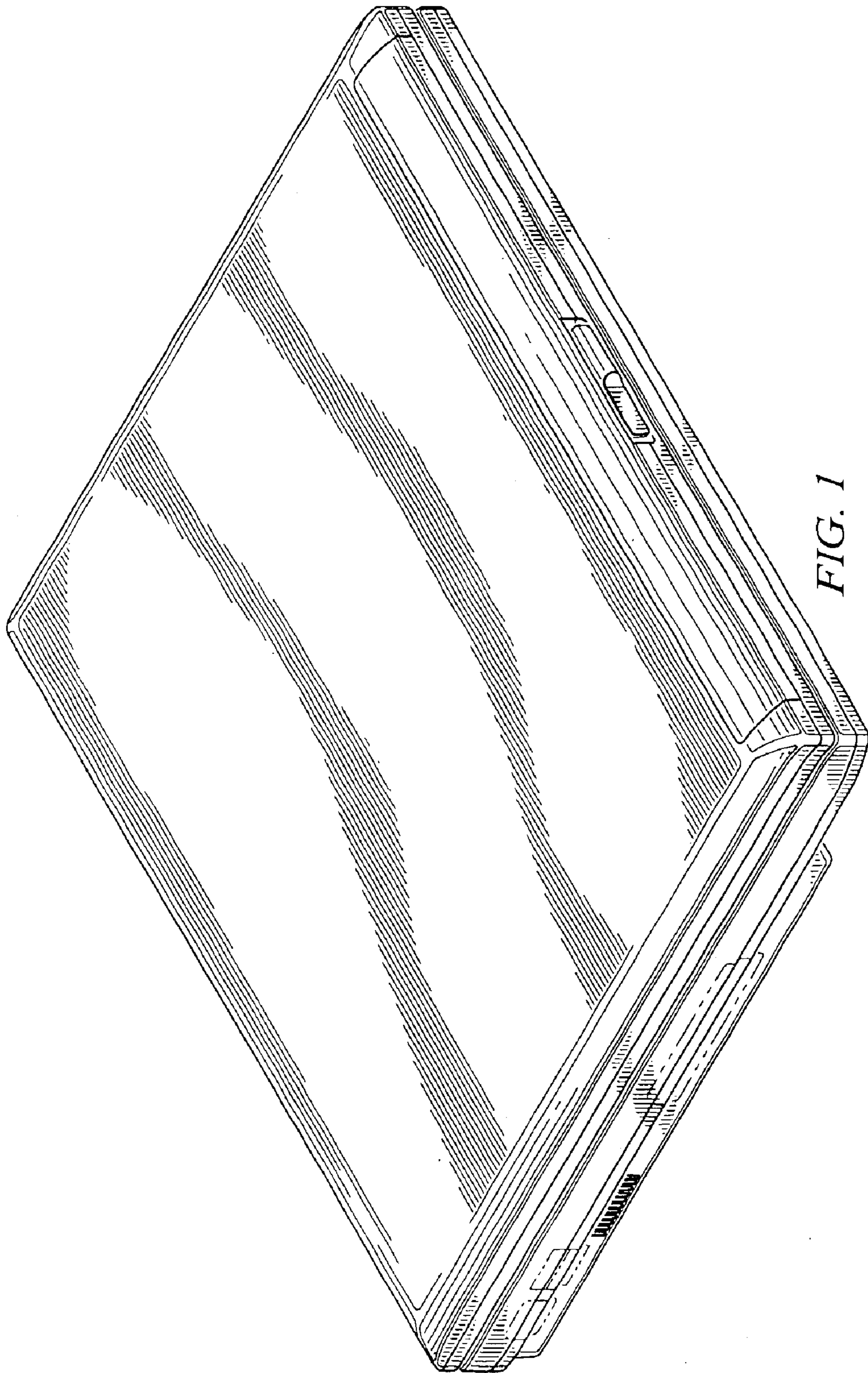


FIG. 1

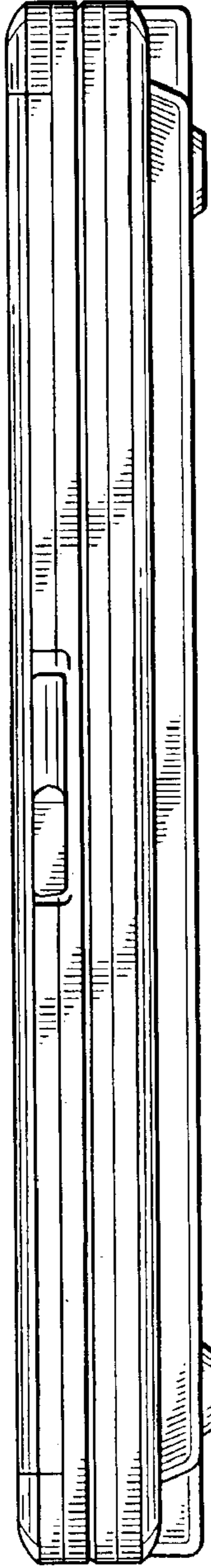


FIG. 2

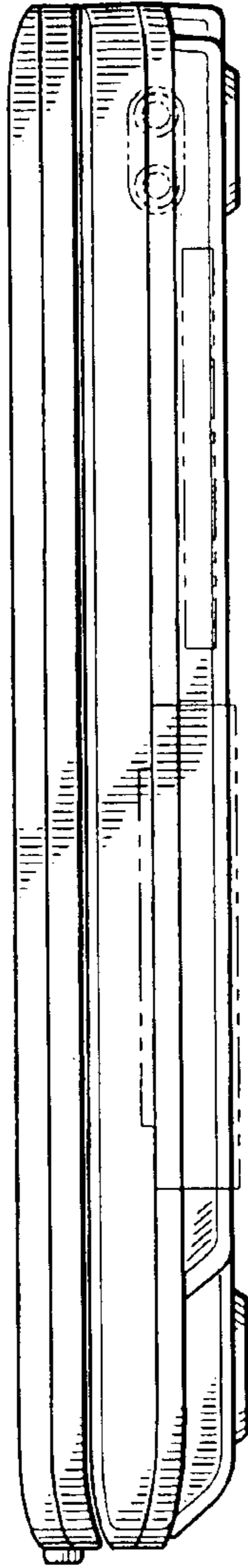


FIG. 3

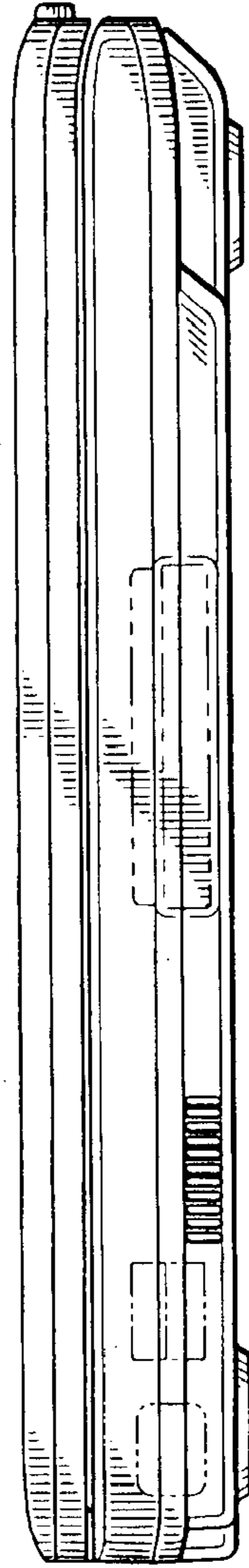


FIG. 4

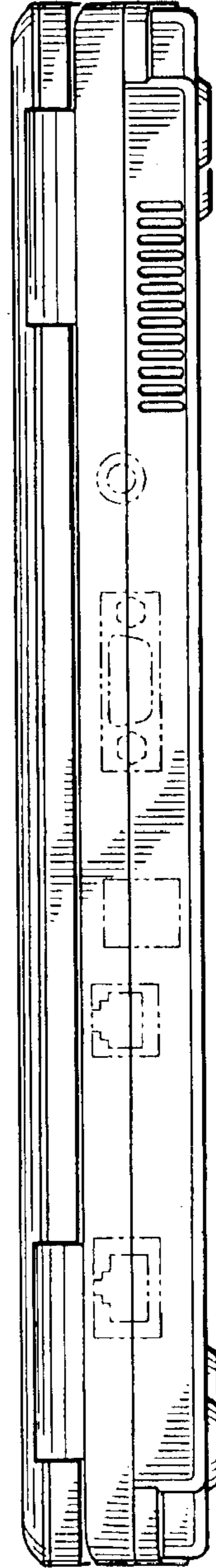


FIG. 5

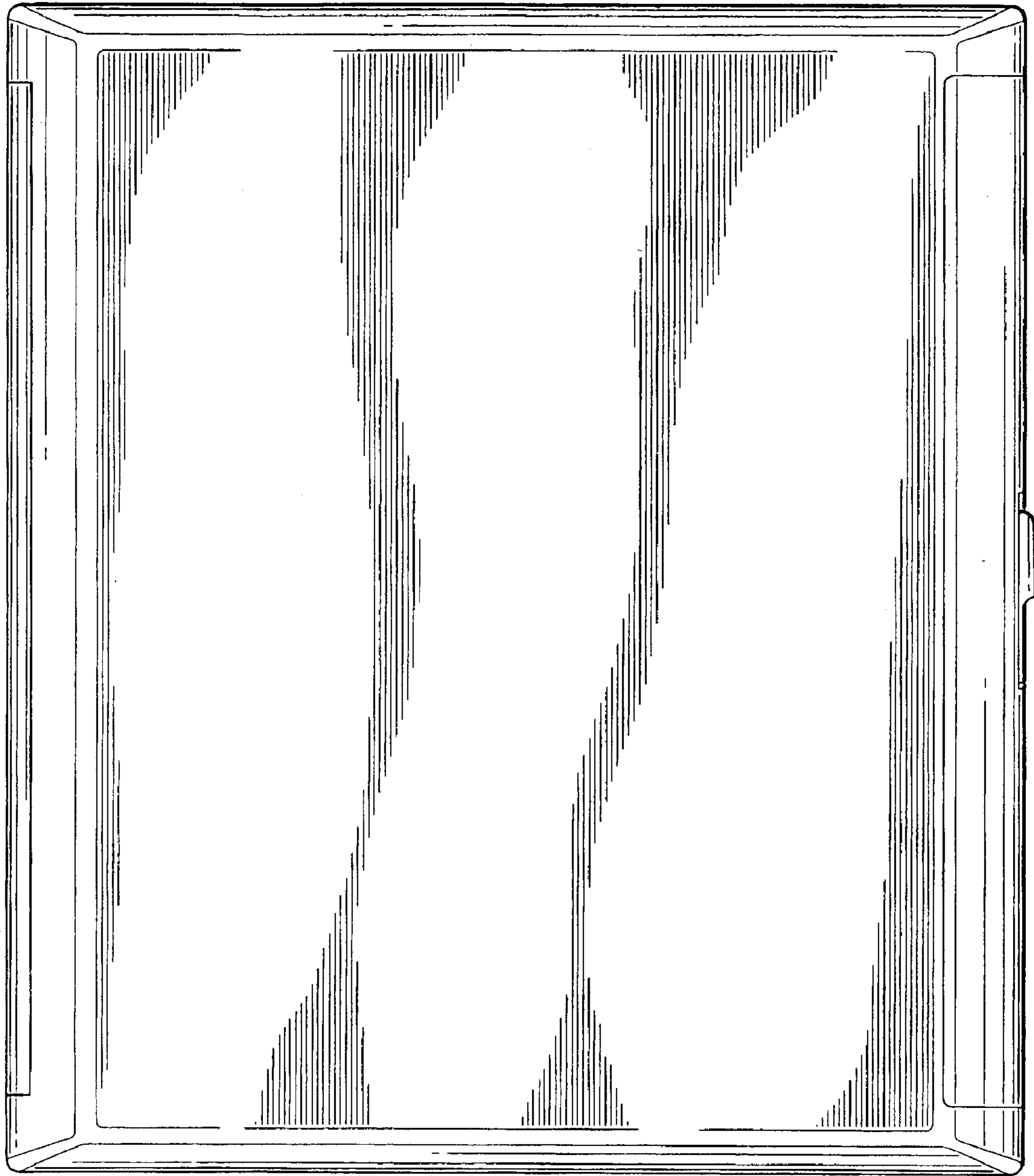


FIG. 6

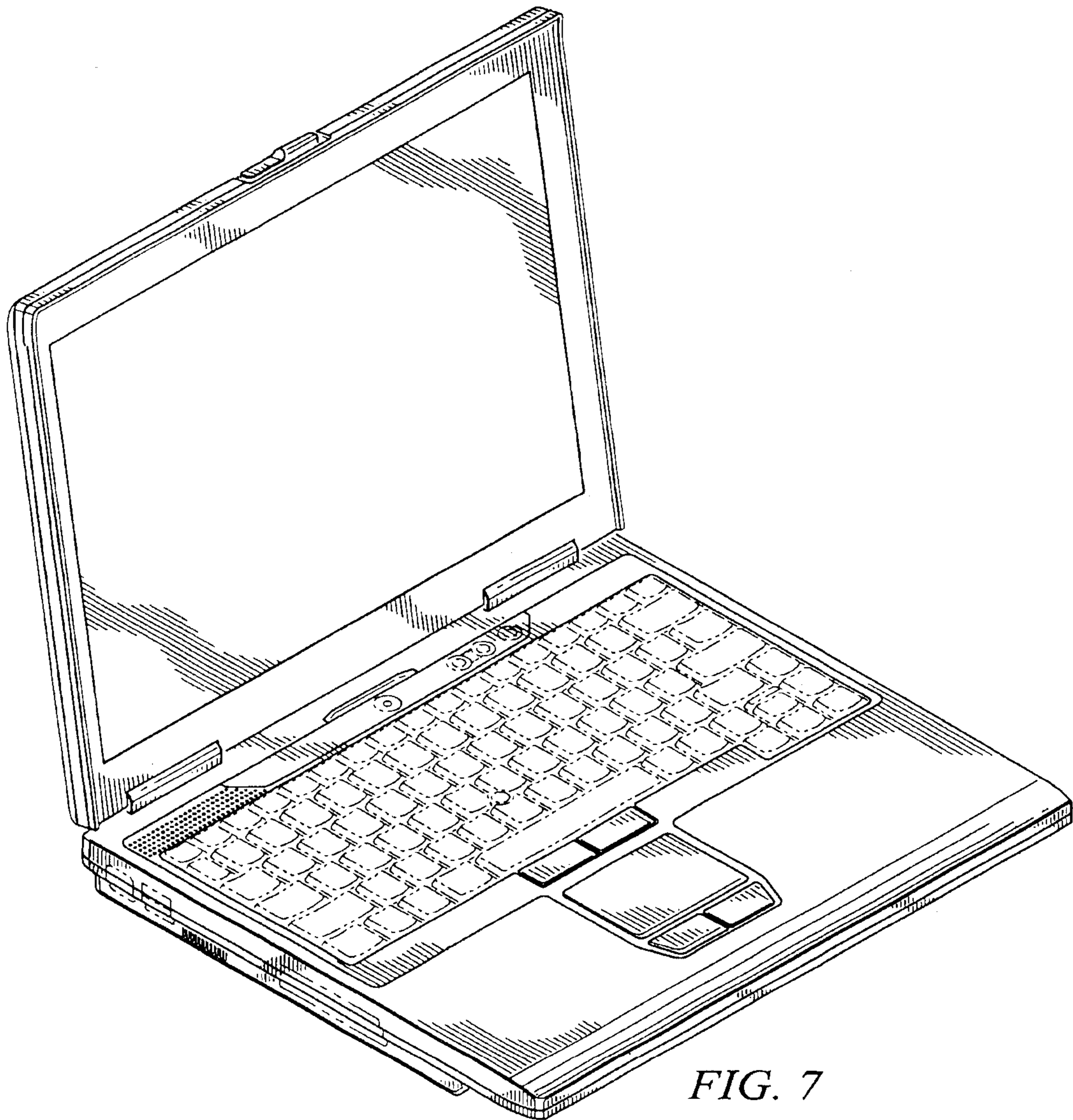


FIG. 7