



US00D530316S

(12) **United States Design Patent**
Hsu et al.

(10) **Patent No.:** **US D530,316 S**

(45) **Date of Patent:** **** Oct. 17, 2006**

(54) **SWITCH HUB**

(75) Inventors: **Kao-Yu Hsu**, Taipei (TW); **Ya-Chyi Chou**, Taipei (TW)

(73) Assignee: **Inventec Multimedia Telecom Corporation**, Taipei (TW)

(**) Term: **14 Years**

(21) Appl. No.: **29/233,940**

(22) Filed: **Jul. 13, 2005**

(51) **LOC (8) Cl.** **14-03**

(52) **U.S. Cl.** **D14/240**

(58) **Field of Classification Search** D14/240,
D14/242, 246, 192, 223, 140.1, 140.4, 356,
D14/358; D13/184, 123; 181/129-130; 379/430,
379/431, 433.01, 420.03, 957, 52, 106.1,
379/333-337, 387.01, 399.01, 413.02, 413.04;
455/569.1, 510, 524; 439/717

See application file for complete search history.

(56) **References Cited**

U.S. PATENT DOCUMENTS

D371,312 S	*	7/1996	Suzuki	D14/240
D385,532 S	*	10/1997	Watanabe	D13/184
D400,512 S	*	11/1998	Korhonen	D13/184
D402,641 S	*	12/1998	Heijnen	D13/184

D442,171 S	*	5/2001	Jang	D14/242
D449,160 S	*	10/2001	Murphy	D14/240
D464,339 S	*	10/2002	Tomino et al.	D14/240
D471,541 S	*	3/2003	Tomino et al.	D14/240
D474,772 S	*	5/2003	Deguchi et al.	D14/240
D476,977 S	*	7/2003	Gao et al.	D14/240
D489,059 S	*	4/2004	Dendou et al.	D14/242
D497,350 S	*	10/2004	Ichitsubo et al.	D13/184
D509,214 S	*	9/2005	Chung	D14/240

* cited by examiner

Primary Examiner—Charles A. Rademaker

(74) *Attorney, Agent, or Firm*—Birch, Stewart, Kolasch, and Birch, LLP

(57) **CLAIM**

The ornamental design for a switch hub, as shown and described.

DESCRIPTION

FIG. 1 is a perspective view of a switch hub showing our new design;

FIG. 2 is a front elevational view thereof;

FIG. 3 is a rear elevational view thereof;

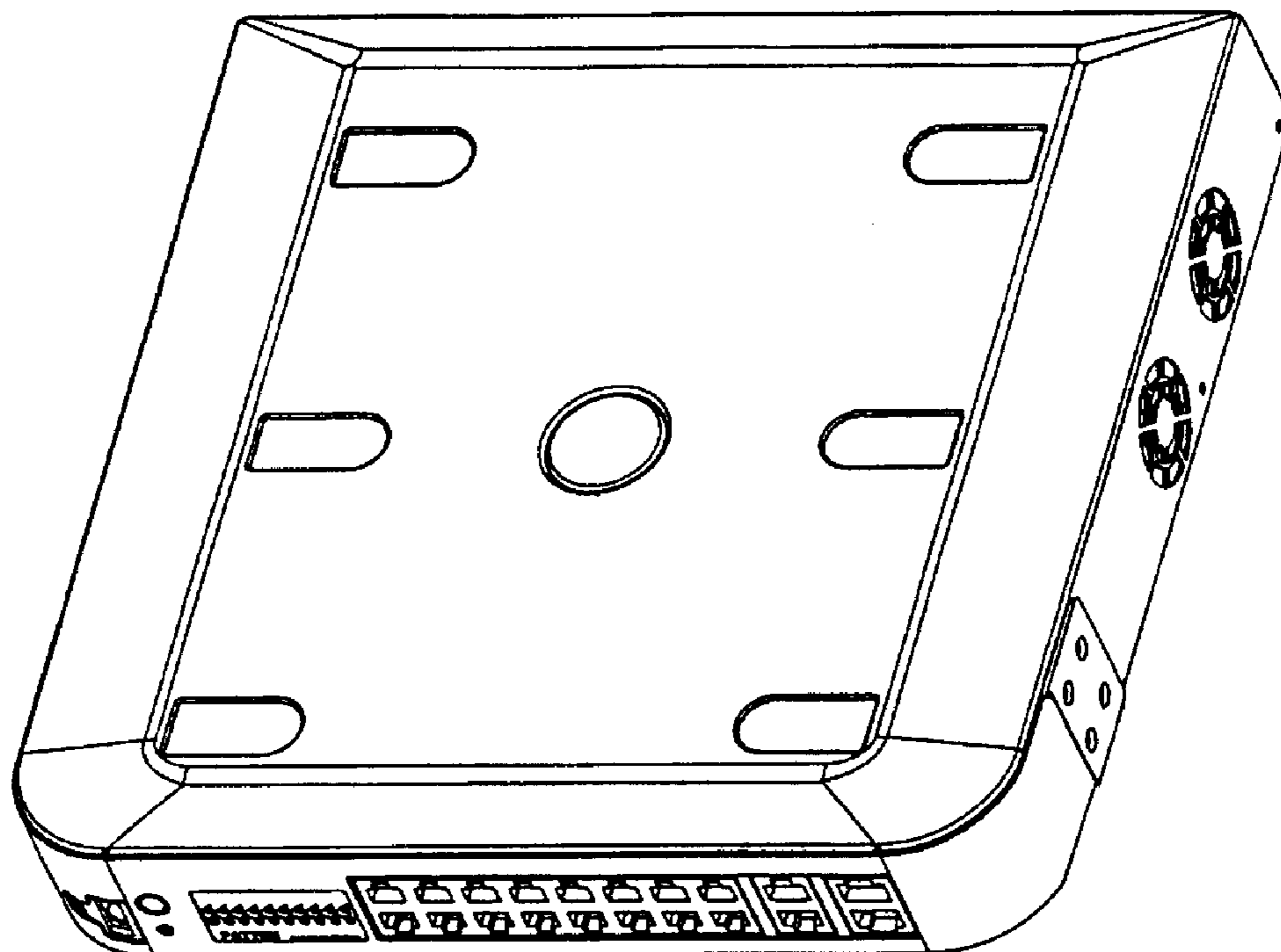
FIG. 4 is a left side elevational view thereof;

FIG. 5 is a right side elevational view thereof;

FIG. 6 is a top plan view thereof; and,

FIG. 7 is a bottom plan view thereof.

1 Claim, 7 Drawing Sheets



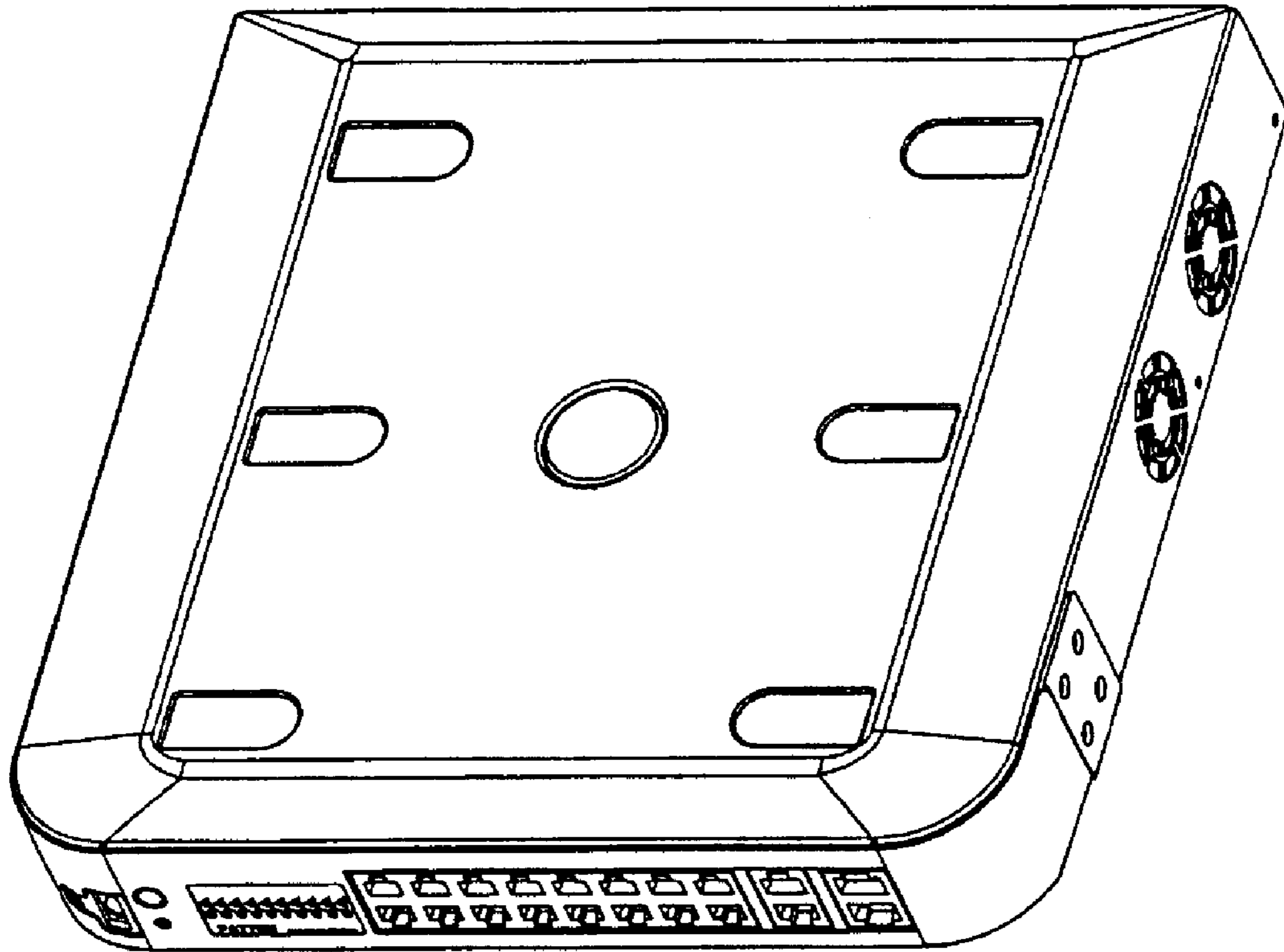


Fig 1

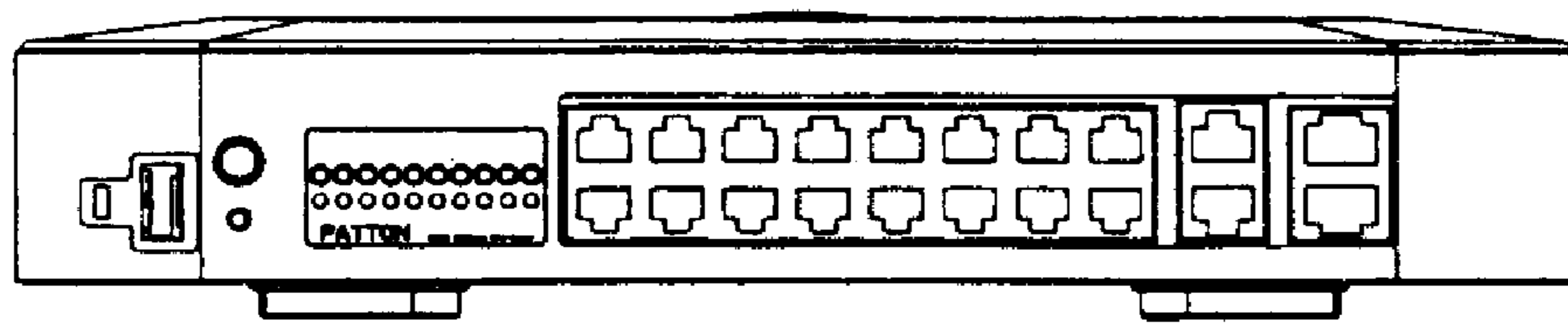


Fig 2

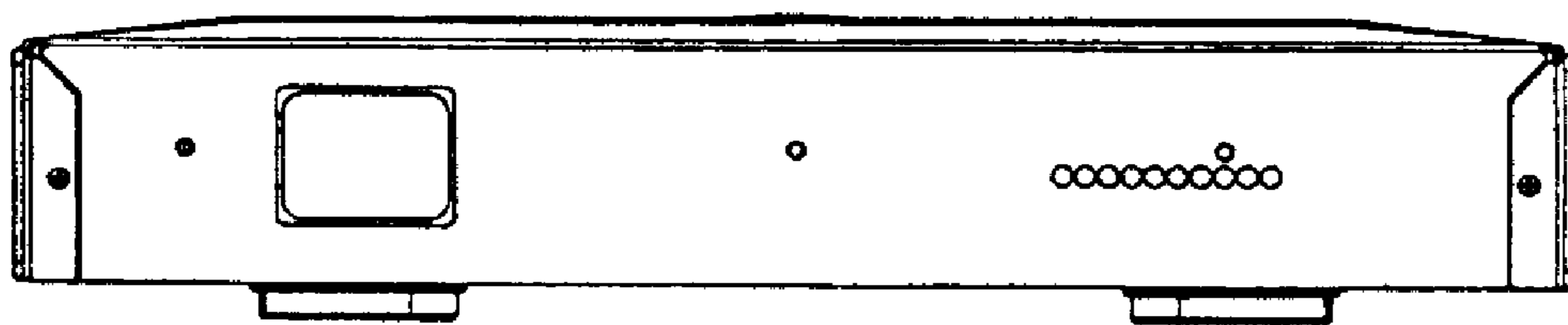


Fig 3

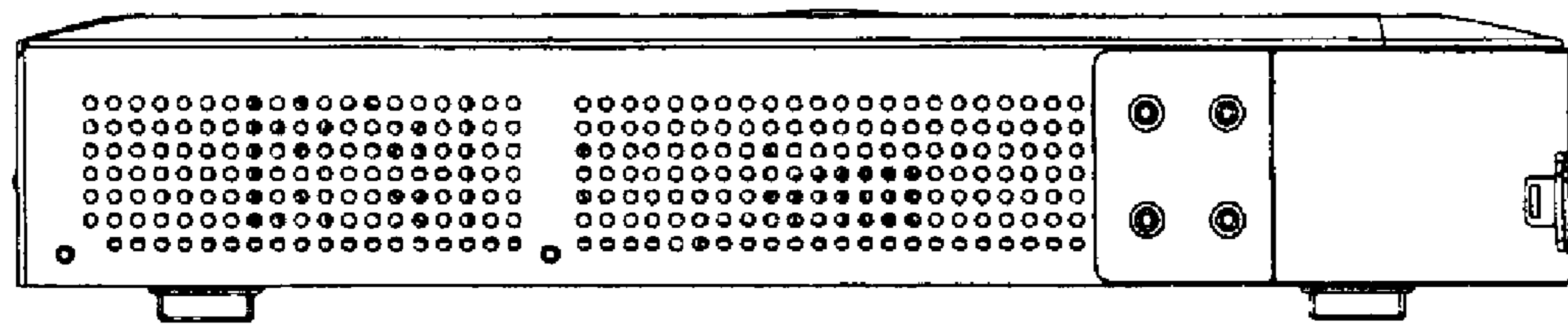


Fig 4

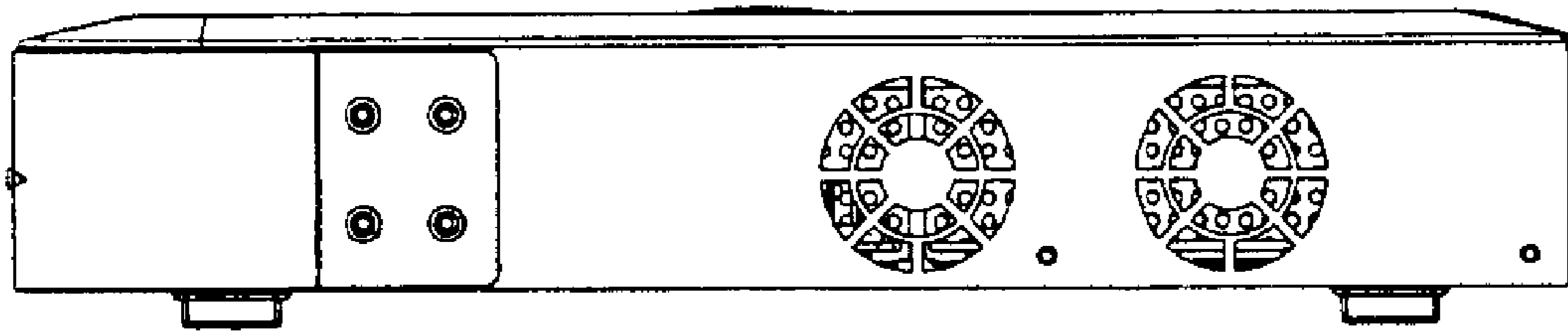


Fig 5

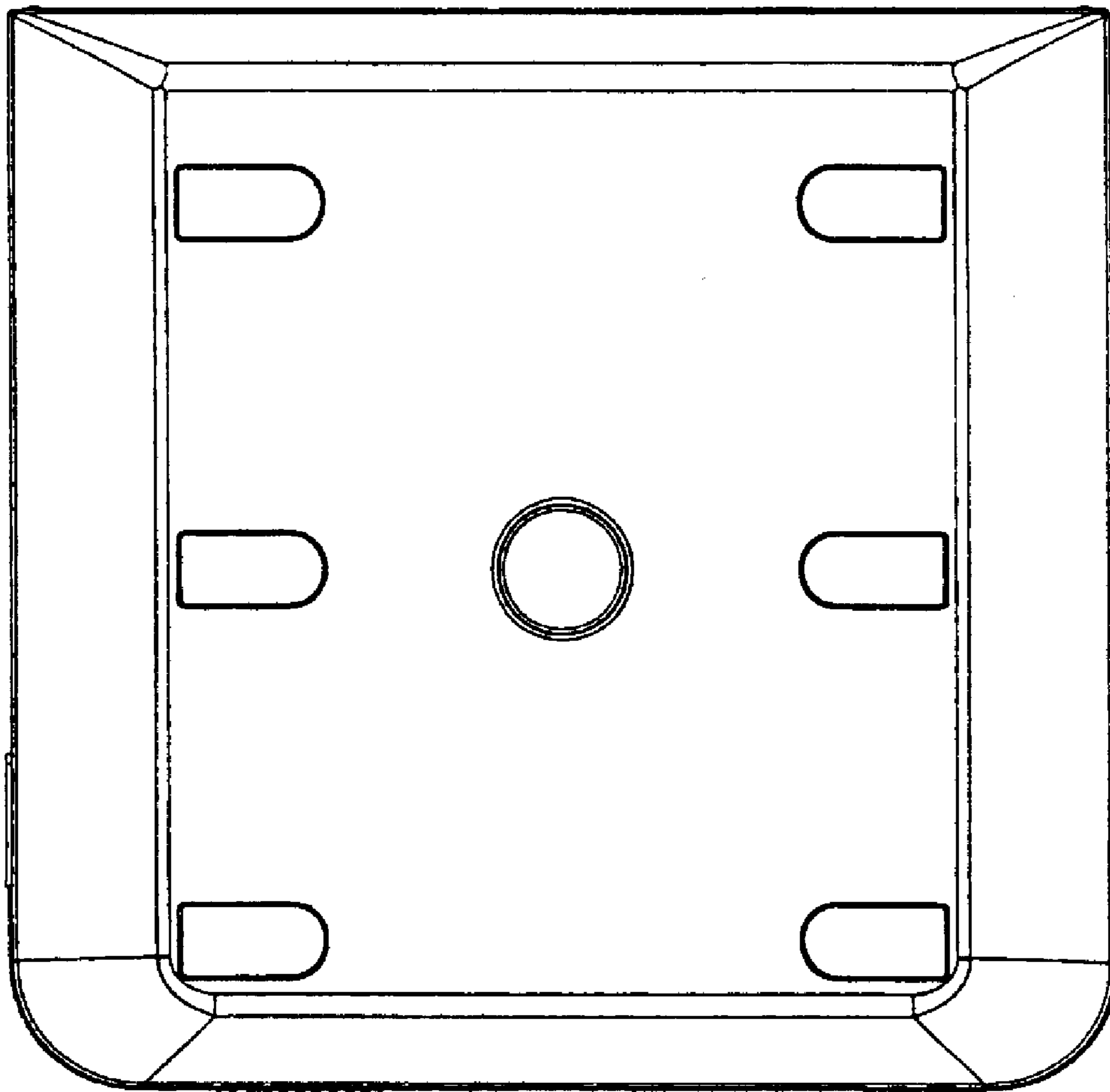


Fig 6

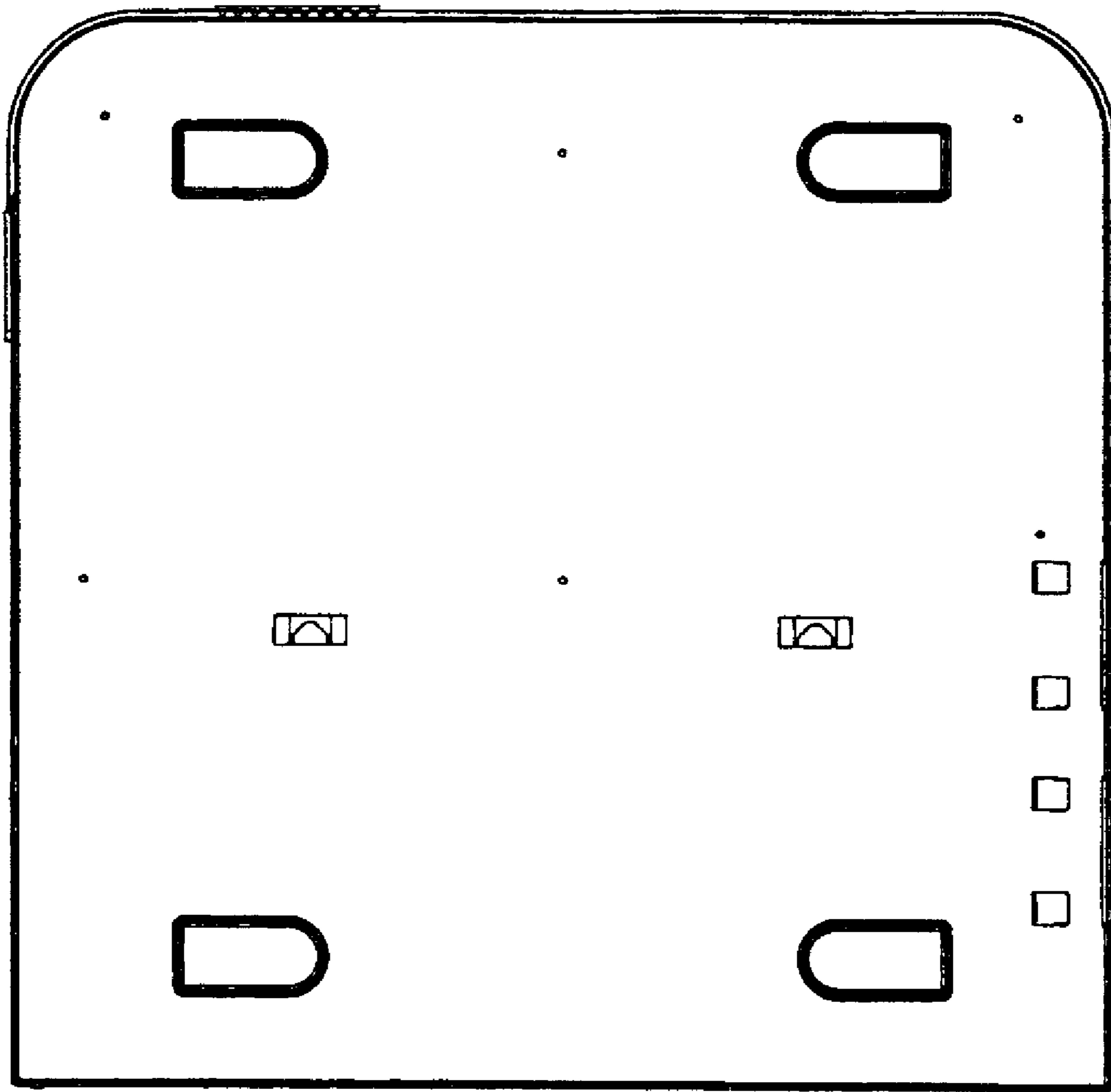


Fig 7