

US00D530314S

(12) **United States Design Patent**
Hsu

(10) **Patent No.:** **US D530,314 S**
(45) **Date of Patent:** **** Oct. 17, 2006**

- (54) **GATEWAY**
- (75) Inventor: **Kao-Yu Hsu**, Taipei (TW)
- (73) Assignee: **Inventec Multimedia & Telecom Corporation**, Taipei (TW)
- (**) Term: **14 Years**
- (21) Appl. No.: **29/221,679**
- (22) Filed: **Jan. 21, 2005**
- (51) **LOC (8) Cl.** **14-03**
- (52) **U.S. Cl.** **D14/240**
- (58) **Field of Classification Search** D14/240,
D14/242, 246, 192, 223, 140.1, 140.4, 356,
D14/358; D13/184, 123; 181/129-130; 379/430,
379/431, 433.01, 420.036, 957, 52, 106.1,
379/333-337, 387.01, 399.01, 413.02, 413.04;
455/569.1, 510, 524; 439/717
See application file for complete search history.

- 5,864,467 A * 1/1999 Recchia et al. 439/717
- D408,812 S * 4/1999 Danis D14/240
- D413,331 S * 8/1999 Martinson D14/240
- D429,238 S * 8/2000 Kolinen D14/240
- D464,339 S * 10/2002 Tomino et al. D14/240
- D476,977 S * 7/2003 Gao et al. D14/240
- D485,551 S * 1/2004 Mikkola et al. D14/240
- D489,059 S * 4/2004 Dendou et al. D14/242
- D511,770 S * 11/2005 Chung D14/240

* cited by examiner

Primary Examiner—Charles A. Rademaker
(74) *Attorney, Agent, or Firm*—Rabin & Berdo, P.C.

(57) **CLAIM**

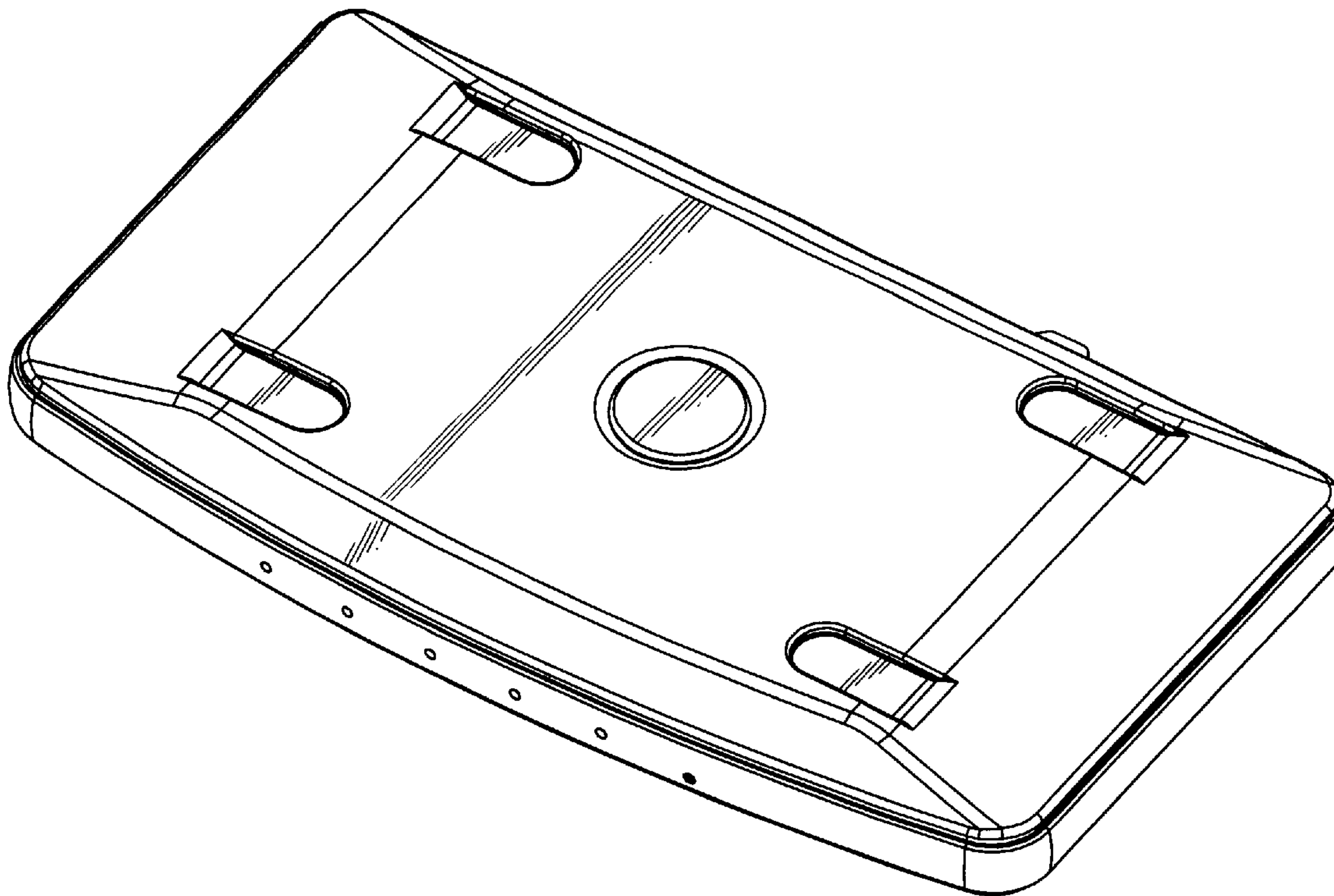
The ornamental design for a “gateway,” as shown and described.

DESCRIPTION

FIG. 1 is a perspective view of a gateway showing my new design;
FIG. 2 is a front view thereof;
FIG. 3 is a rear view thereof;
FIG. 4 is a left side elevational view thereof;
FIG. 5 is a right side elevational view thereof;
FIG. 6 is a top view thereof; and,
FIG. 7 is a bottom view thereof.

1 Claim, 4 Drawing Sheets

- (56) **References Cited**
U.S. PATENT DOCUMENTS
D371,312 S * 7/1996 Suzuki D14/240
D375,937 S * 11/1996 Mergenthaler et al. D13/110
D383,458 S * 9/1997 Biasotti et al. D14/240
D402,641 S * 12/1998 Heijnen D13/184



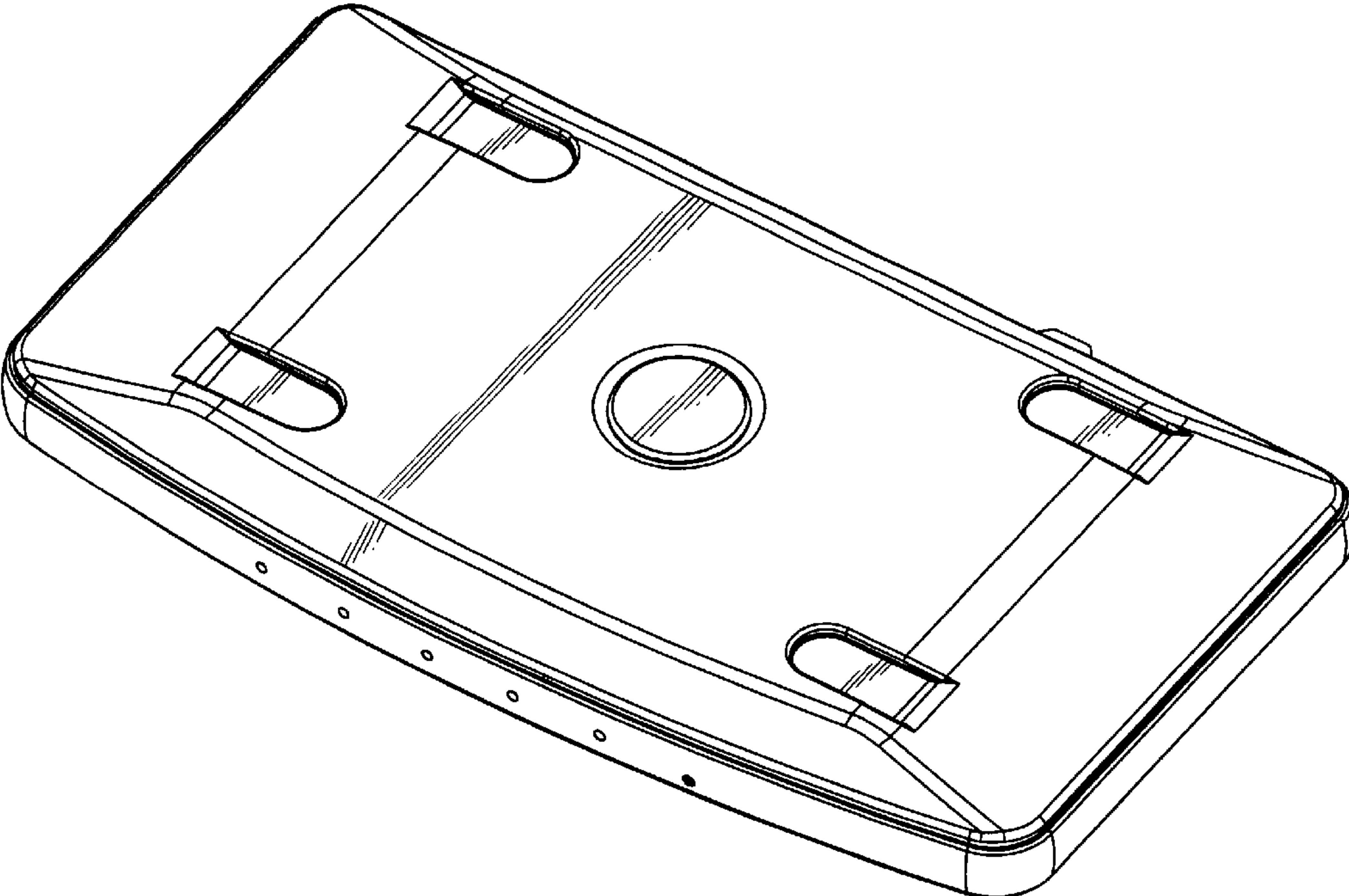


FIG.1

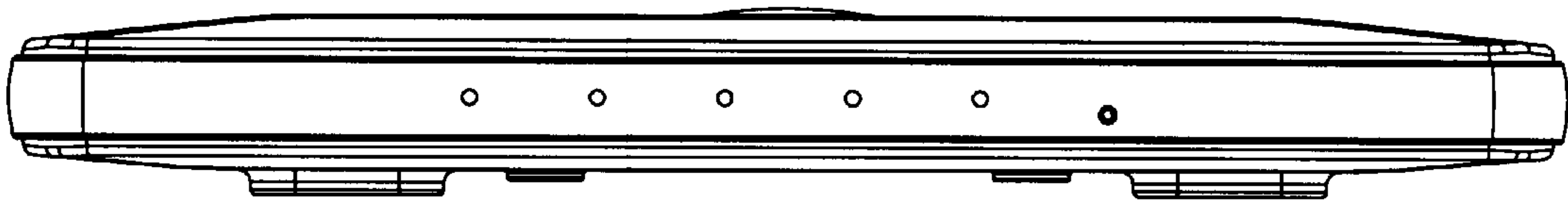


FIG. 2

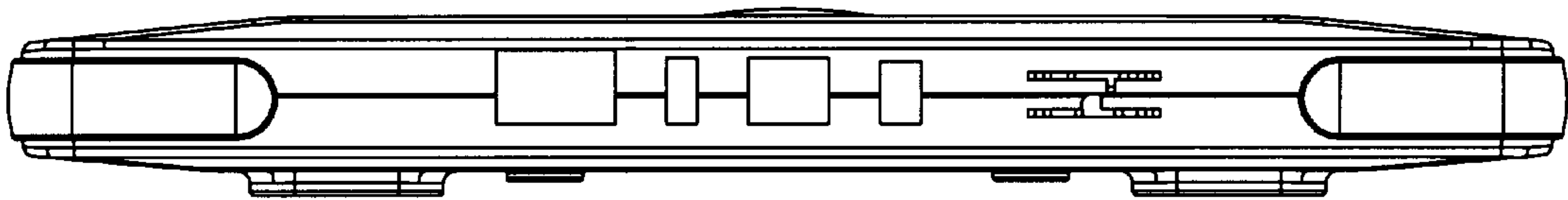


FIG. 3

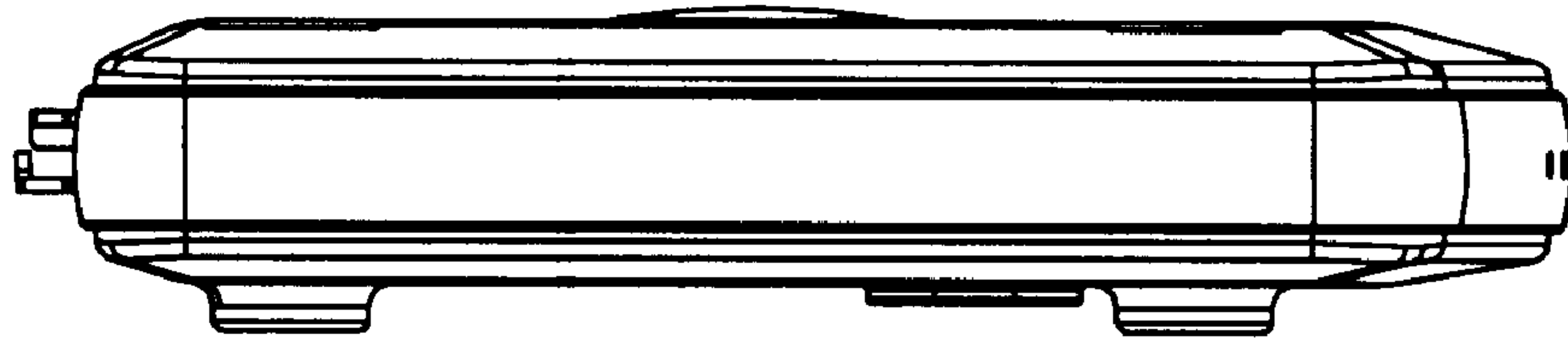


FIG. 4

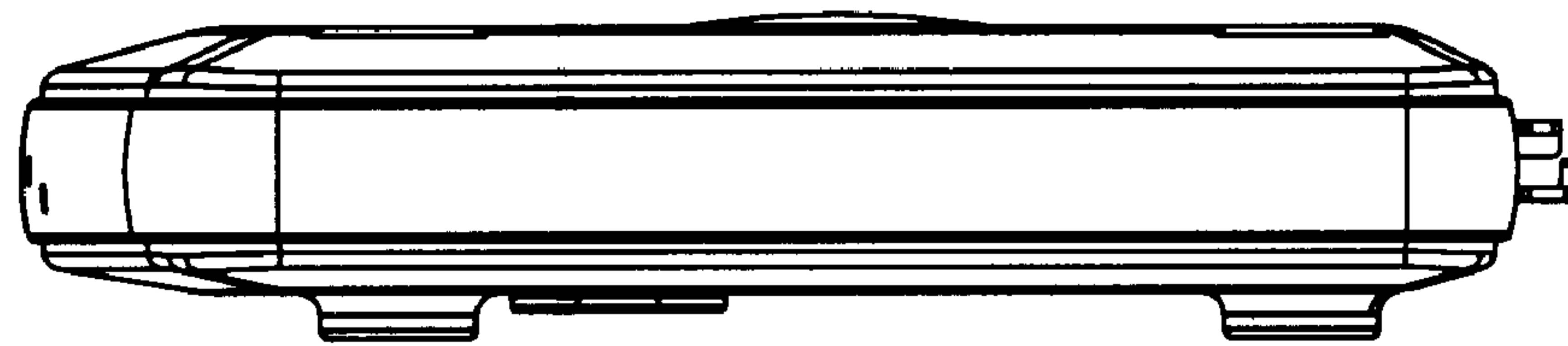


FIG. 5

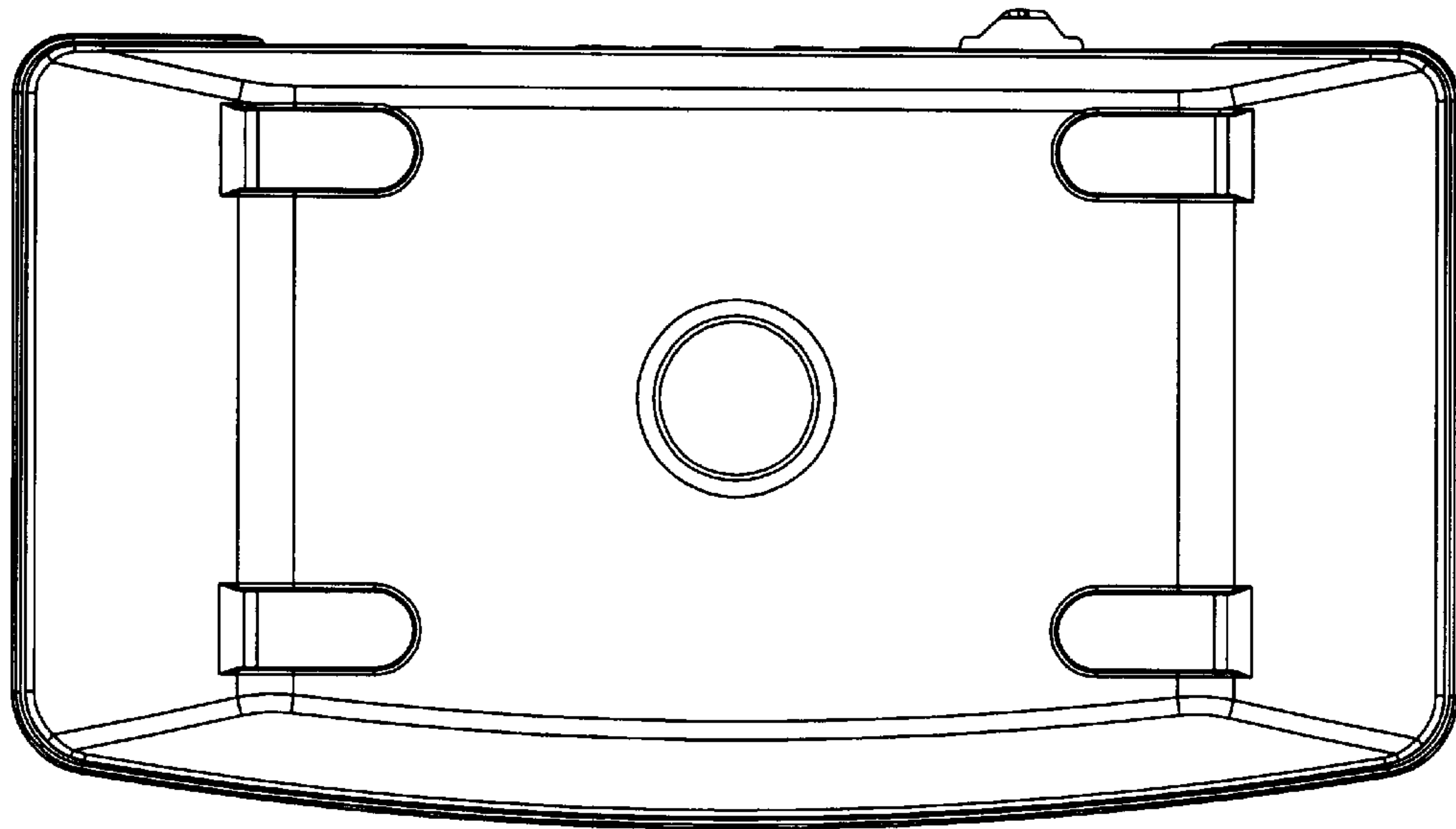


FIG. 6

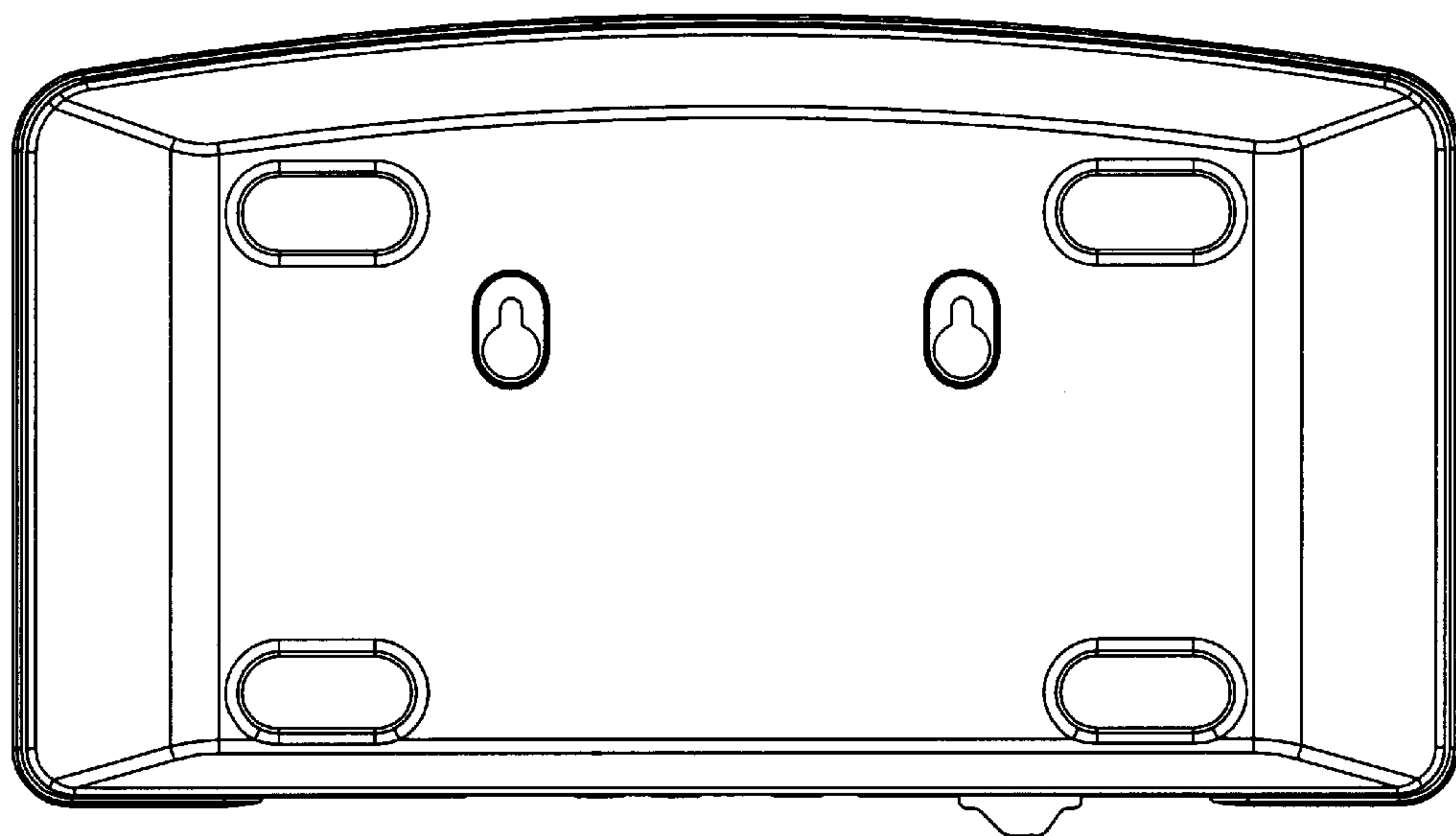


FIG. 7