



US00D530307S

(12) **United States Design Patent**
Rath

(10) **Patent No.:** **US D530,307 S**
(45) **Date of Patent:** **** Oct. 17, 2006**

(54) **HEADSET**
(75) Inventor: **Klaus Rath**, Gentofte (DK)
(73) Assignee: **GN Netcom A/S** (DK)
(**) Term: **14 Years**

4,689,822 A * 8/1987 Houng 381/379
D318,053 S * 7/1991 Ludeke et al. D14/206
D346,802 S * 5/1994 Sacherman et al. D14/206
5,469,505 A * 11/1995 Gattey et al. 379/430
5,640,458 A * 6/1997 Nishiguchi et al. 381/74
D494,154 S * 8/2004 Polito D14/206

* cited by examiner

(21) Appl. No.: **29/238,301**
(22) Filed: **Sep. 13, 2005**

Primary Examiner—Paula A. Greene
(74) *Attorney, Agent, or Firm*—Altera Law Group, LLC

(30) **Foreign Application Priority Data**

Mar. 14, 2005 (EM) 000310578-0001/0002

(57) **CLAIM**

The ornamental design for a headset, as shown and described.

(51) **LOC (8) Cl.** **14-01**
(52) **U.S. Cl.** **D14/206**
(58) **Field of Classification Search** D14/142,
D14/188, 192, 205, 206, 223, 225; 181/129,
181/130; 379/430, 433, 454; 381/370, 376,
381/377, 378, 379, 380, 381, 74; D24/110;
2/209; D29/112; 455/575.2

DESCRIPTION

FIG. 1.1 is a perspective view of the headset;
FIG. 1.2 is a side view of the headset;
FIG. 1.3 shows the headset from the opposite side;
FIG. 1.4 is a front view of the headset;
FIG. 1.5 shows the headset from the back;
FIG. 1.6 is the bottom view of the headset; and,
FIG. 1.7 is the top view of the headset.

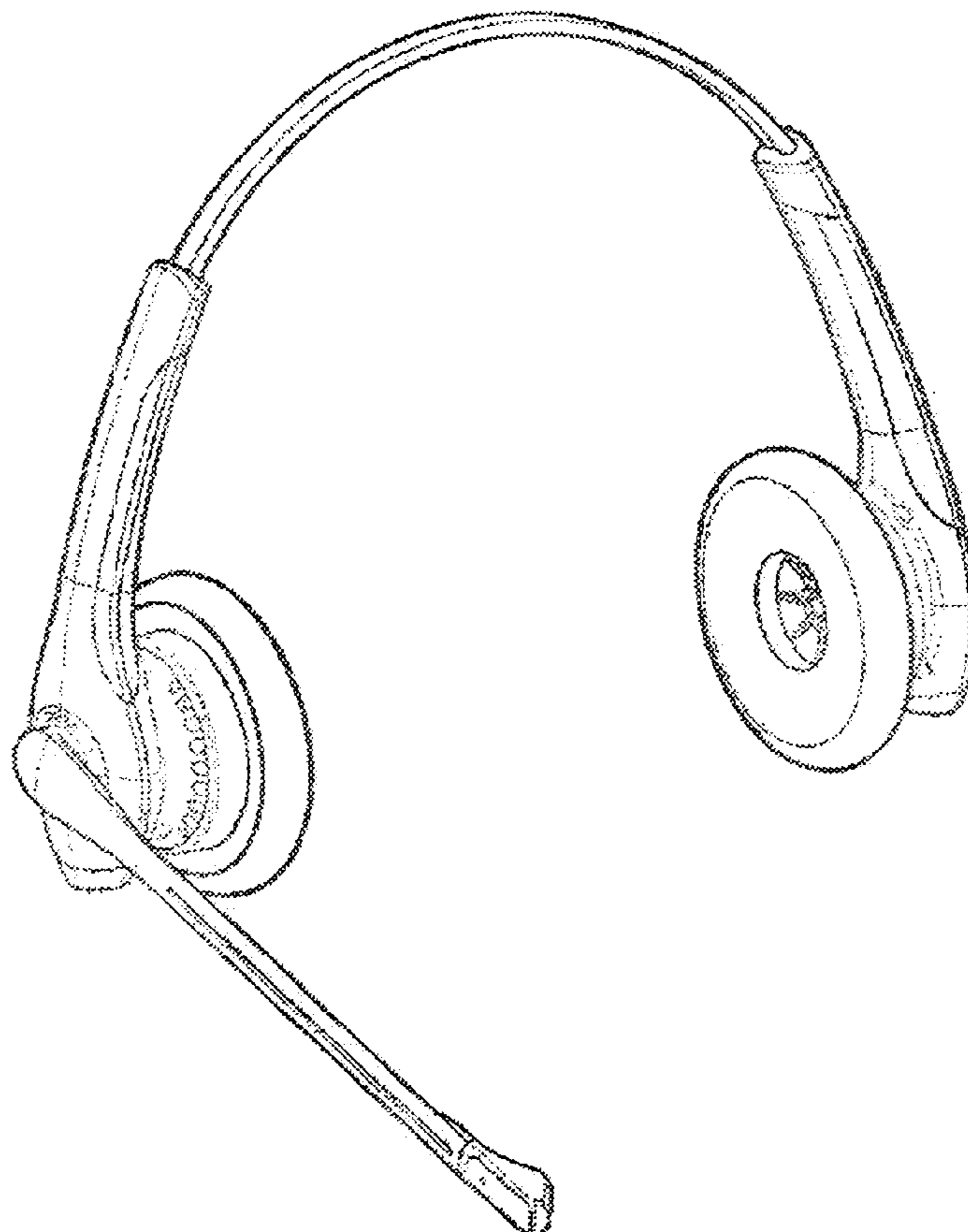
See application file for complete search history.

(56) **References Cited**

U.S. PATENT DOCUMENTS

D286,874 S * 11/1986 Bertagna et al. D14/205

1 Claim, 5 Drawing Sheets



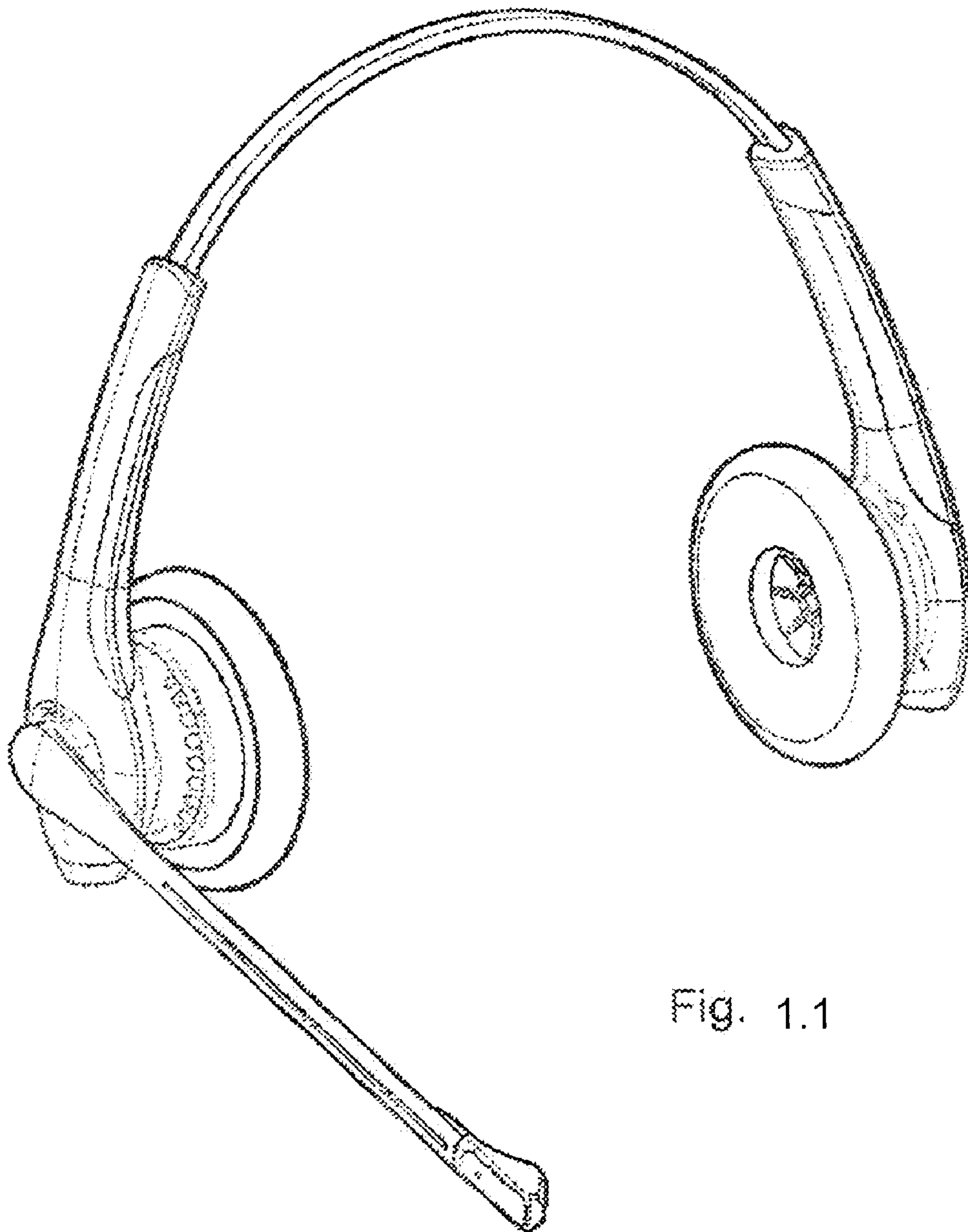


Fig. 1.1

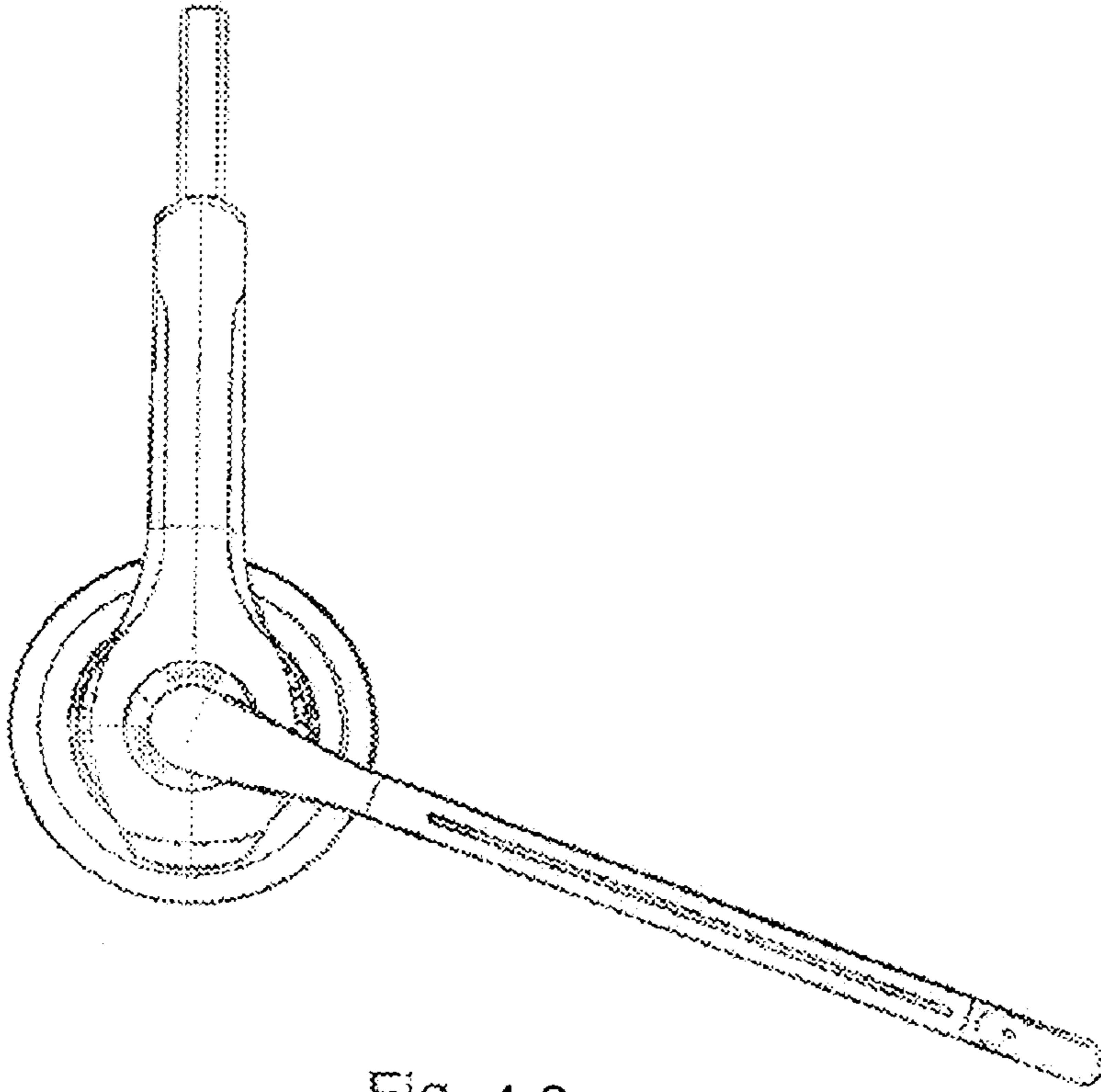


Fig. 1.2

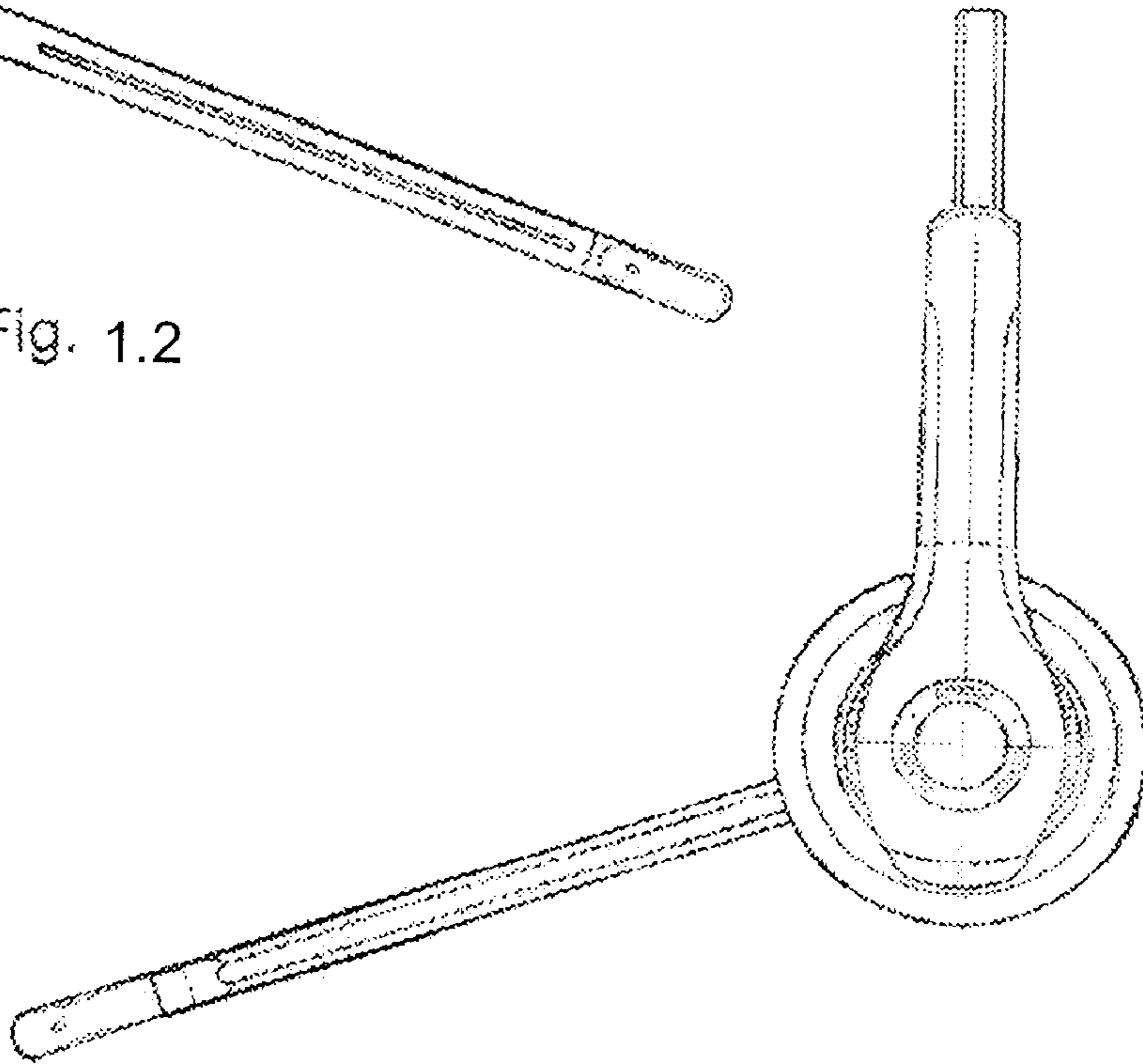


Fig. 1.3

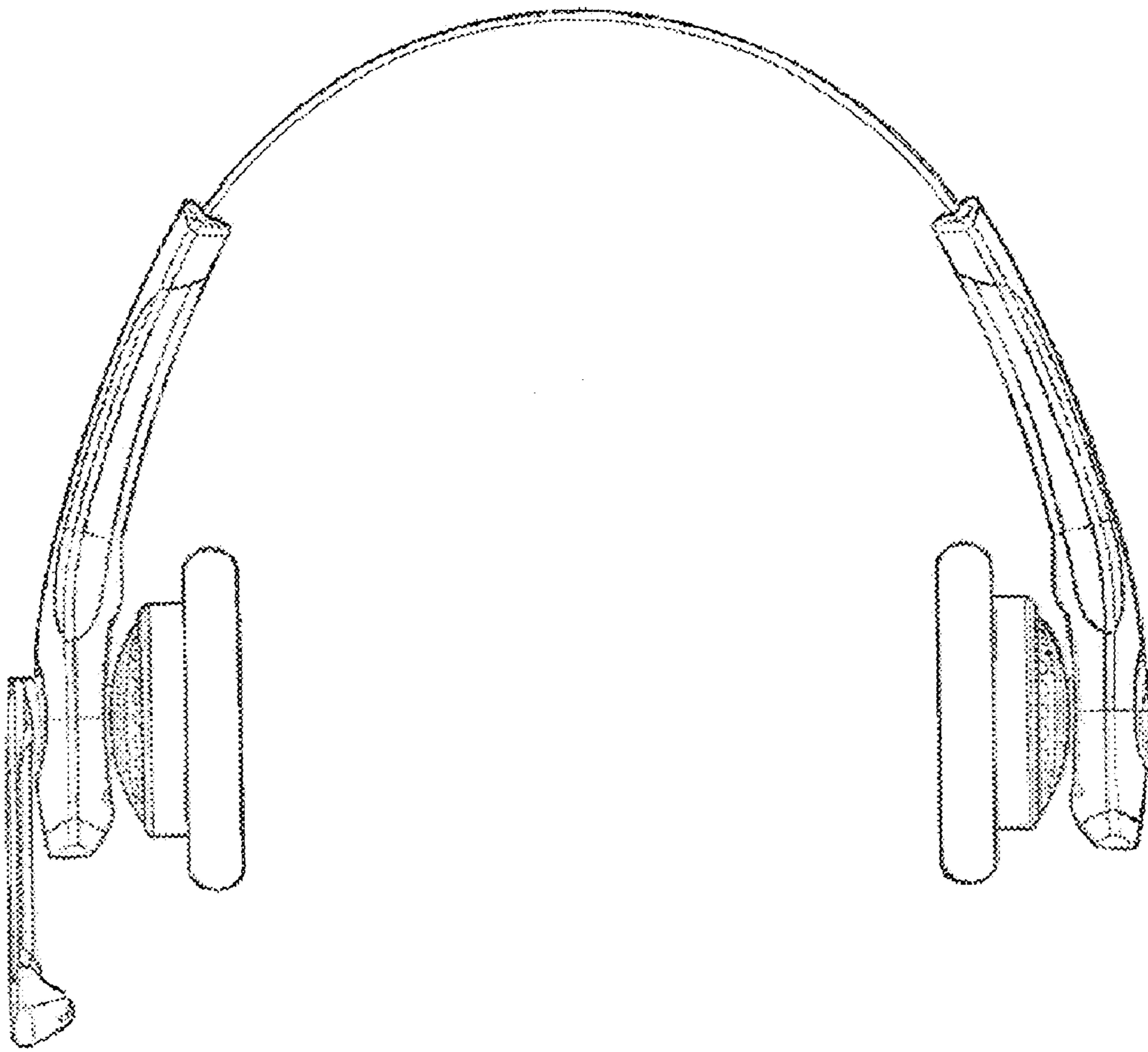


Fig. 1.4

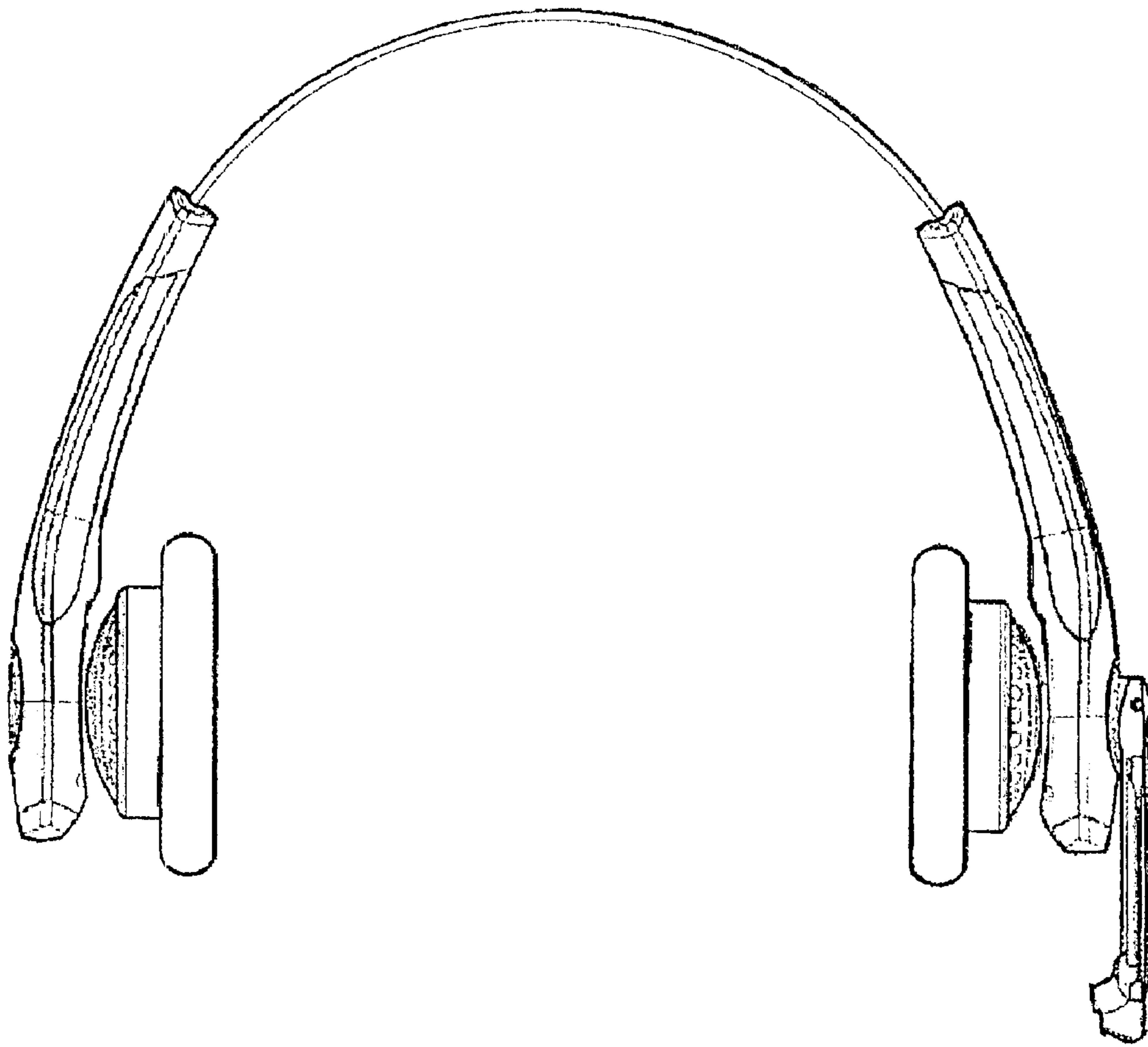


Fig. 1.5

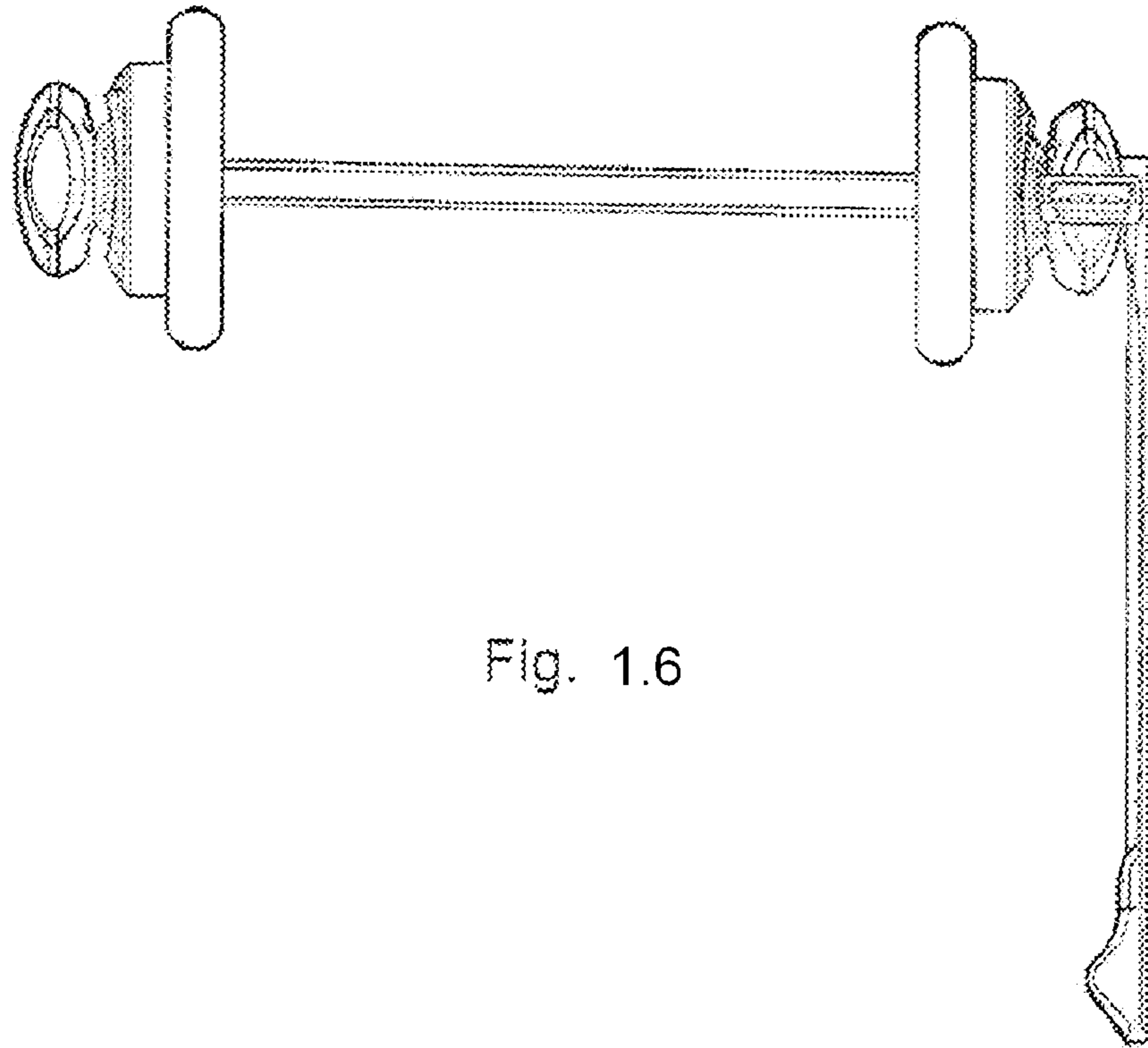


Fig. 1.6

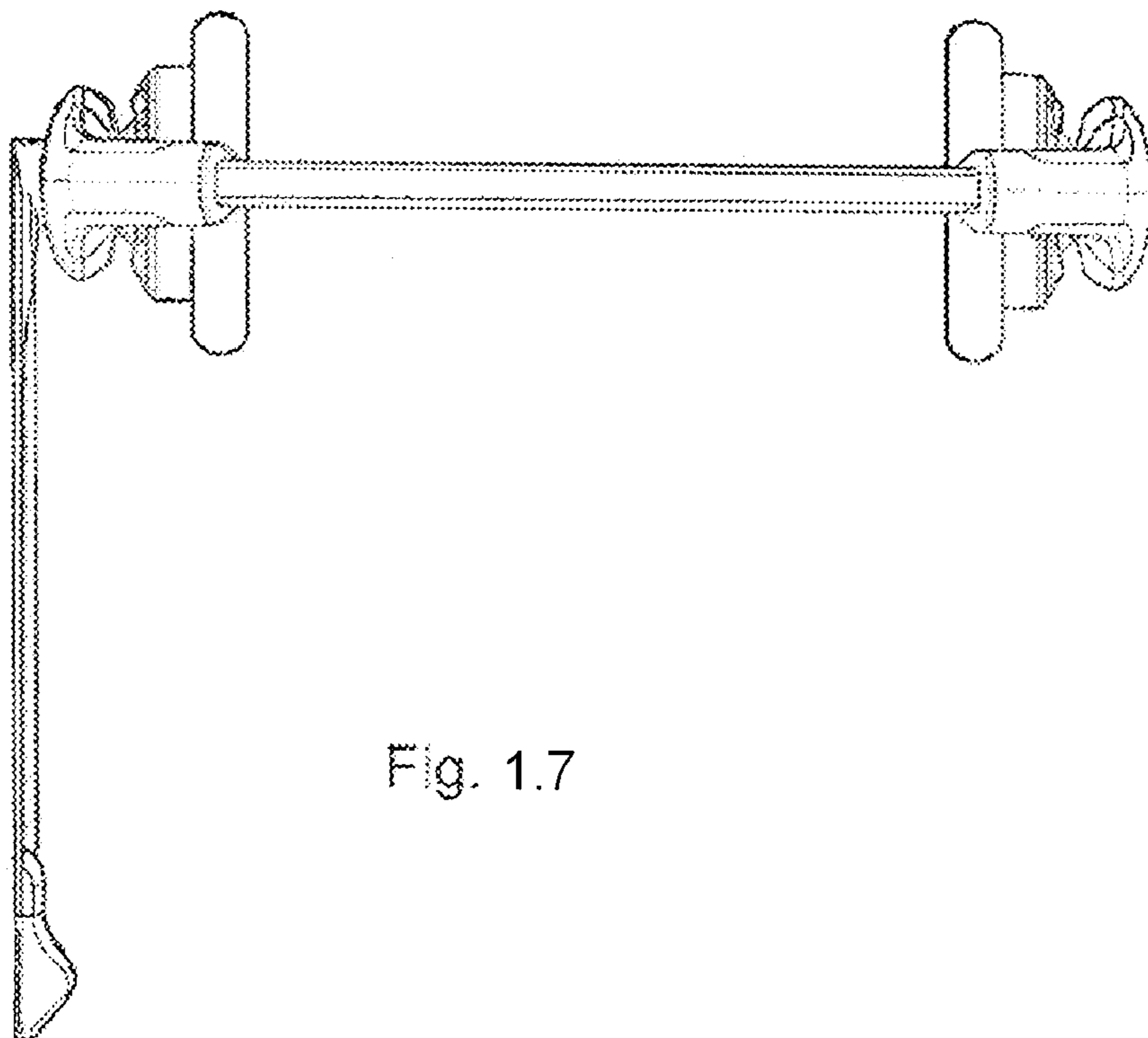


Fig. 1.7