



US00D530306S

(12) **United States Design Patent**  
**Wang et al.**

(10) **Patent No.:** **US D530,306 S**  
(45) **Date of Patent:** **\*\* Oct. 17, 2006**

(54) **CAR FM MODULATOR WITH USB HOST DIGITAL AUDIO PLAYER**

(75) Inventors: **Bin Wang**, Shenzhen (CN); **Haibing Li**, Shenzhen (CN)

(73) Assignee: **Shenzhen Yifang Digital Technologies Co., Ltd.**, Shenzhen (CN)

(\*\*) Term: **14 Years**

(21) Appl. No.: **29/227,677**

(22) Filed: **Apr. 13, 2005**

(30) **Foreign Application Priority Data**

Nov. 12, 2004 (CN) ..... 2004301036351

(51) **LOC (8) Cl.** ..... **14-03**

(52) **U.S. Cl.** ..... **D14/189; D14/188; D14/157**

(58) **Field of Classification Search** ..... D14/188, D14/189, 192, 194, 197, 160, 156, 157, 158, D14/137, 138, 260, 258, 265; 455/344-351; 369/6-12

See application file for complete search history.

(56) **References Cited**

**U.S. PATENT DOCUMENTS**

3,541,452 A \* 11/1970 Disesa et al. .... 455/157.1  
4,676,619 A \* 6/1987 Woolley ..... 396/432

4,792,994 A \* 12/1988 Aylward ..... 455/344  
D319,236 S \* 8/1991 Ito et al. .... D14/162  
D325,734 S \* 4/1992 Miyai ..... D14/189  
5,146,618 A \* 9/1992 Wenner ..... 455/345  
5,285,500 A \* 2/1994 Mantz ..... 381/86  
D346,801 S \* 5/1994 Traina ..... D14/189  
D368,093 S \* 3/1996 Starck ..... D14/195  
D372,916 S \* 8/1996 Starck ..... D14/195  
D426,225 S \* 6/2000 Davis ..... D14/188  
D481,703 S \* 11/2003 Togawa et al. .... D14/157  
D517,524 S \* 3/2006 Chen ..... D14/188

\* cited by examiner

*Primary Examiner*—Prabhakar Deshmukh

(74) *Attorney, Agent, or Firm*—Duane Morris LLP

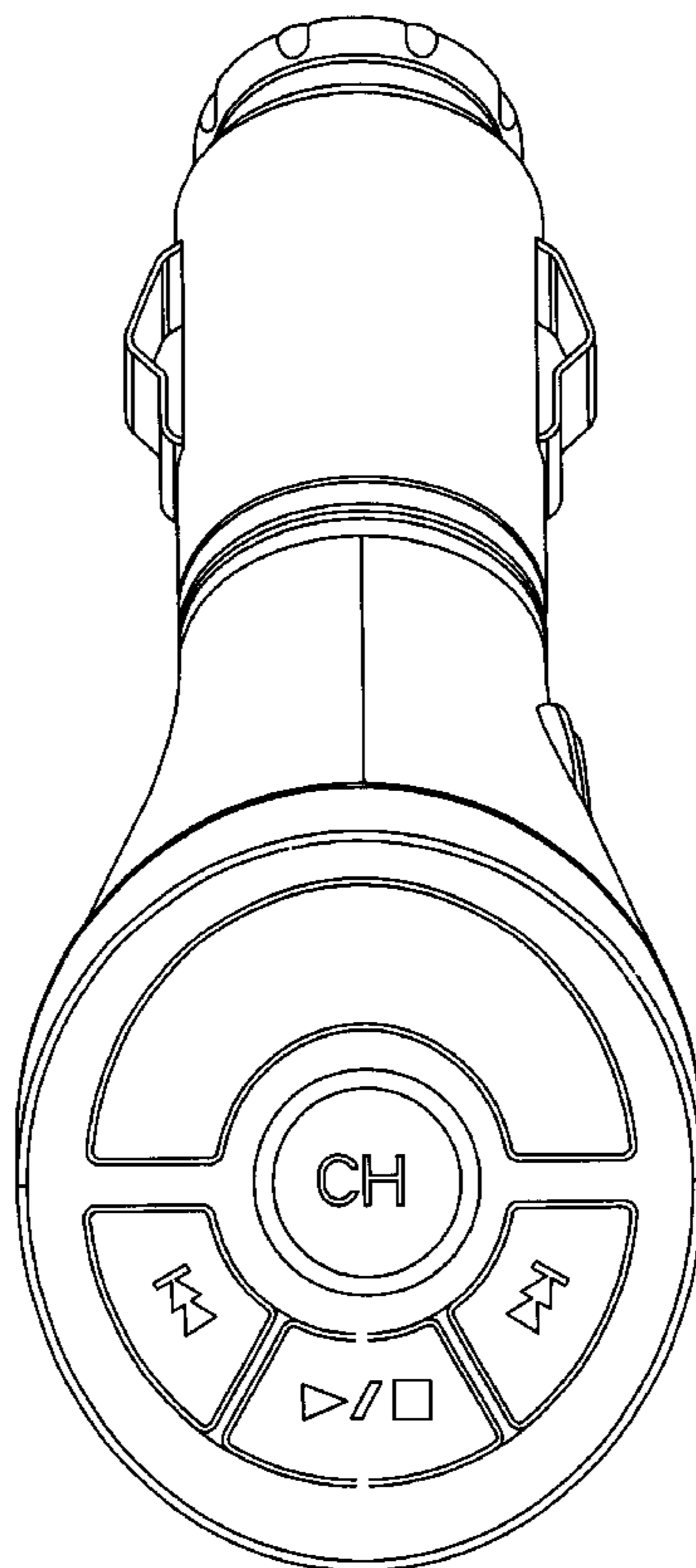
(57) **CLAIM**

The ornamental design for a car FM modulator with USB host digital audio player, as shown and described.

**DESCRIPTION**

FIG. 1 is a perspective view of the car FM modulator with USB host digital audio player showing the new design; FIG. 2 is a front elevation view thereof; FIG. 3 is a rear elevation view thereof; FIG. 4 is a side elevation view from the left in FIG. 1; FIG. 5 is a side elevation view from the right in FIG. 1; FIG. 6 is a top plan view thereof; and, FIG. 7 is a bottom plan view.

**1 Claim, 3 Drawing Sheets**



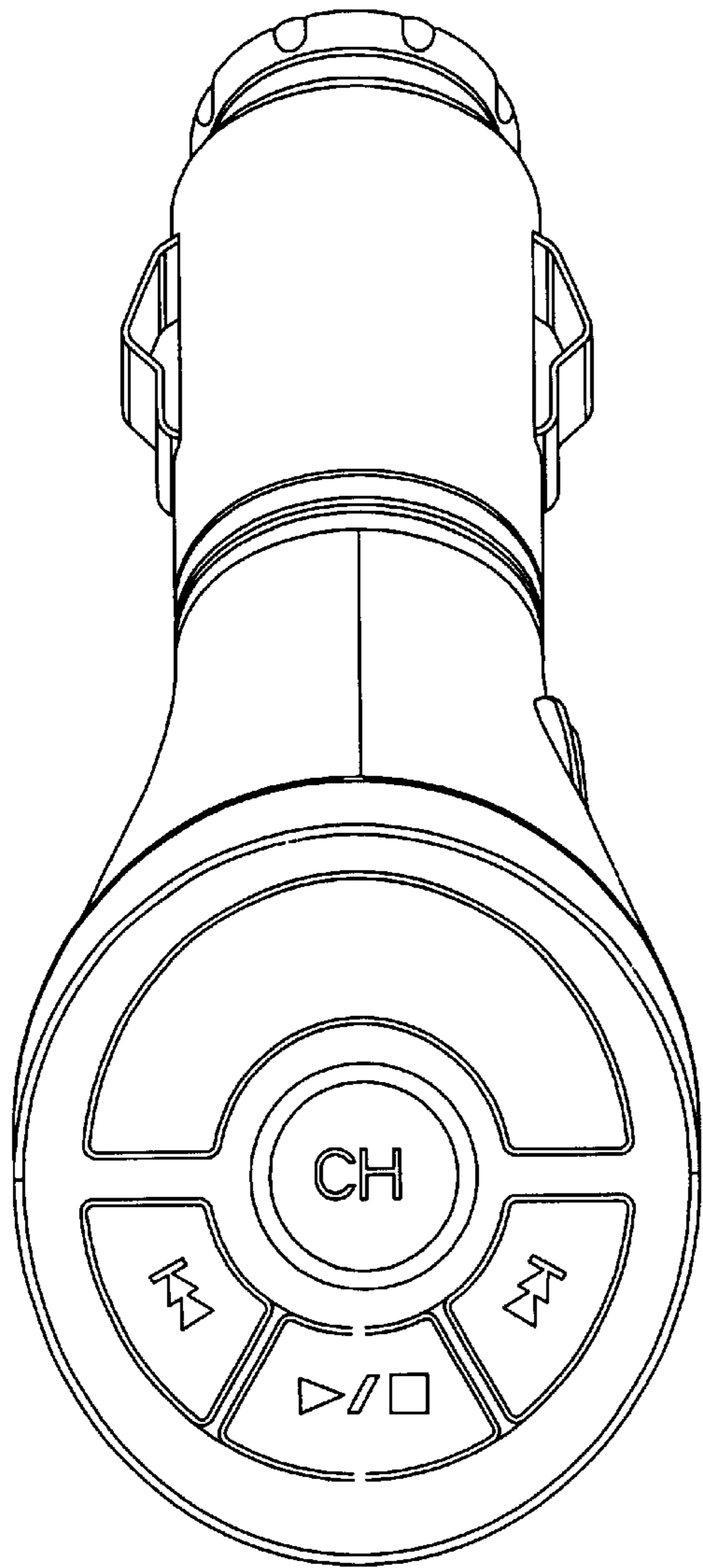


FIG. 1

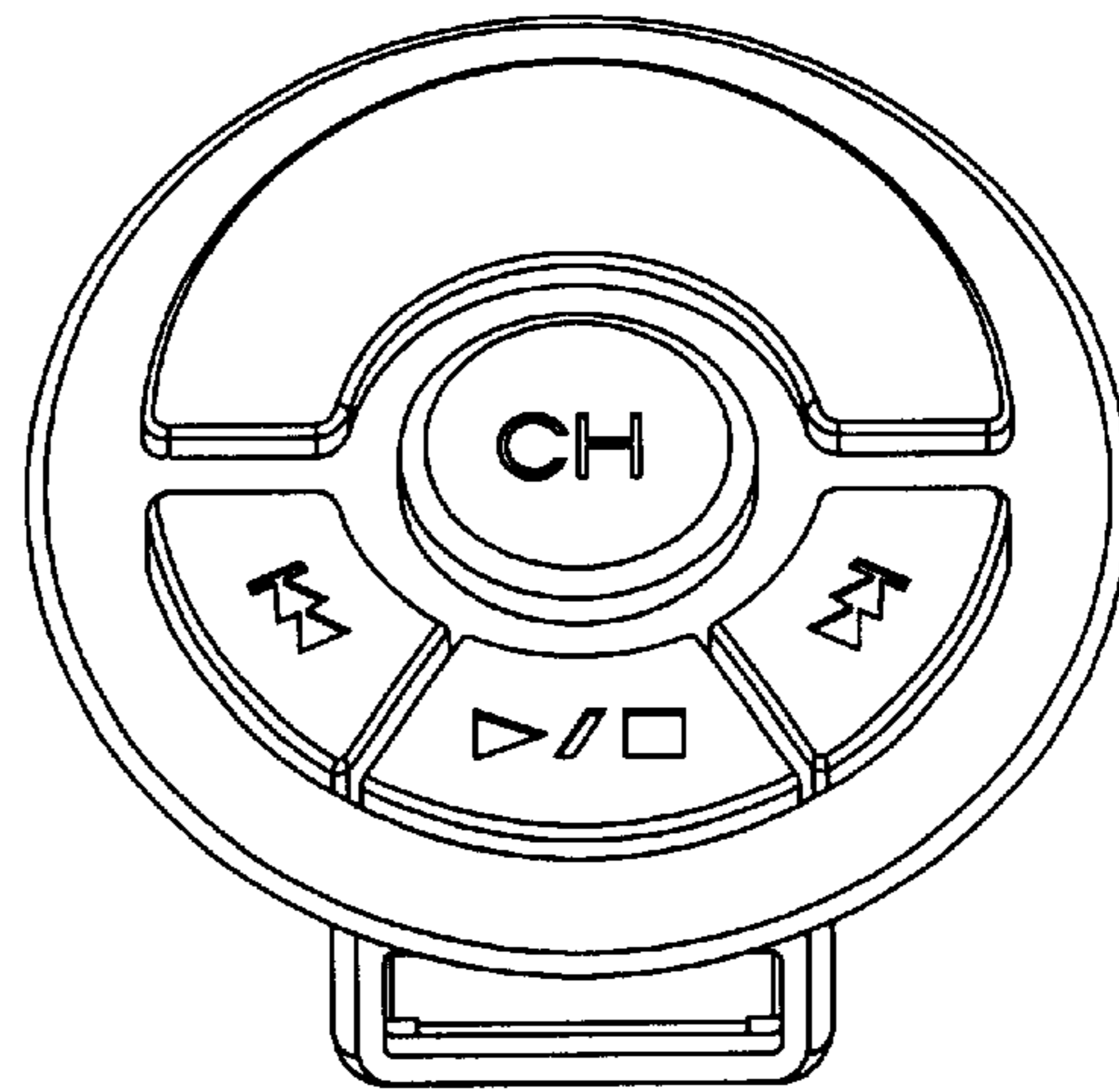


FIG. 2

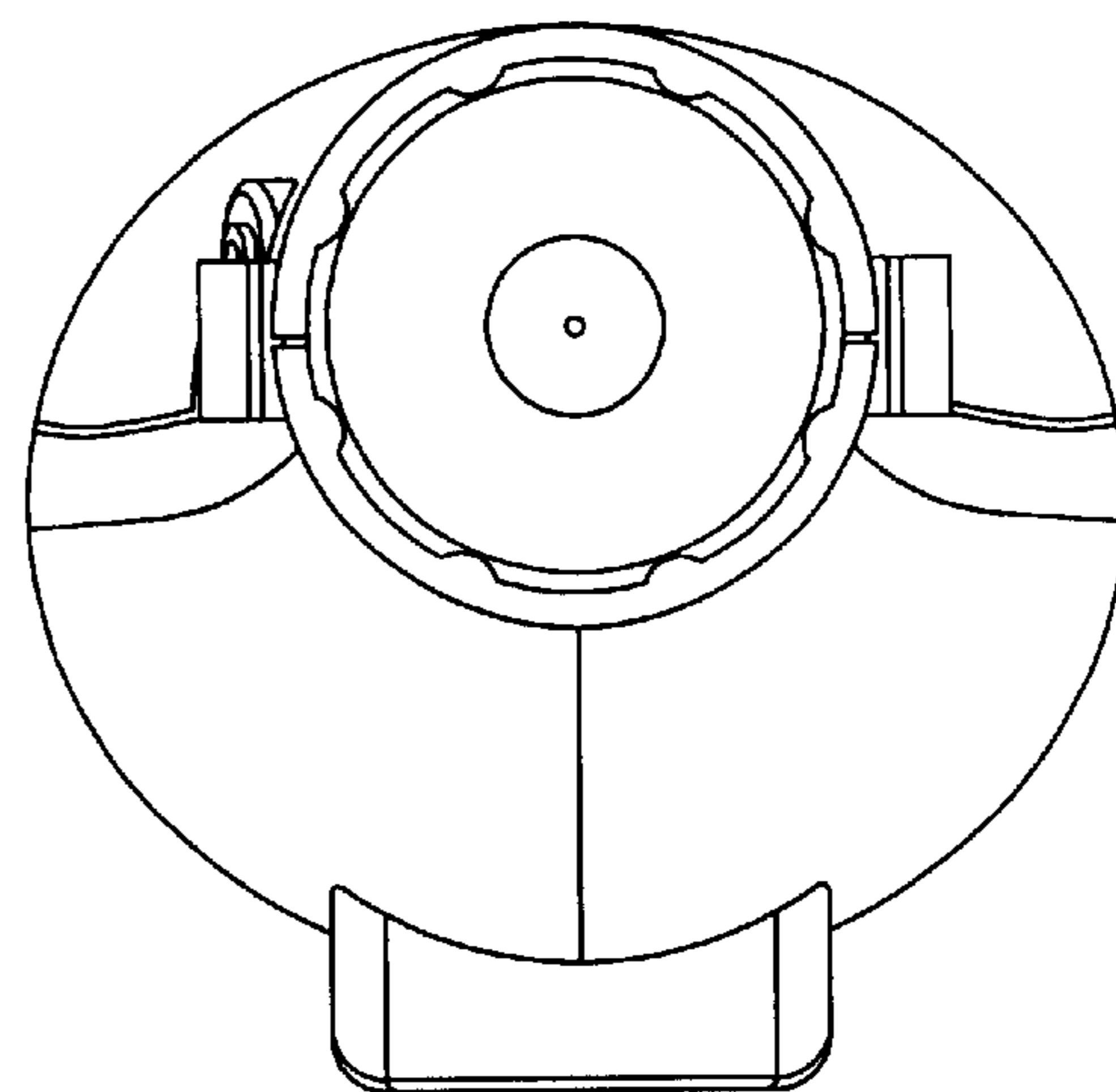


FIG. 3

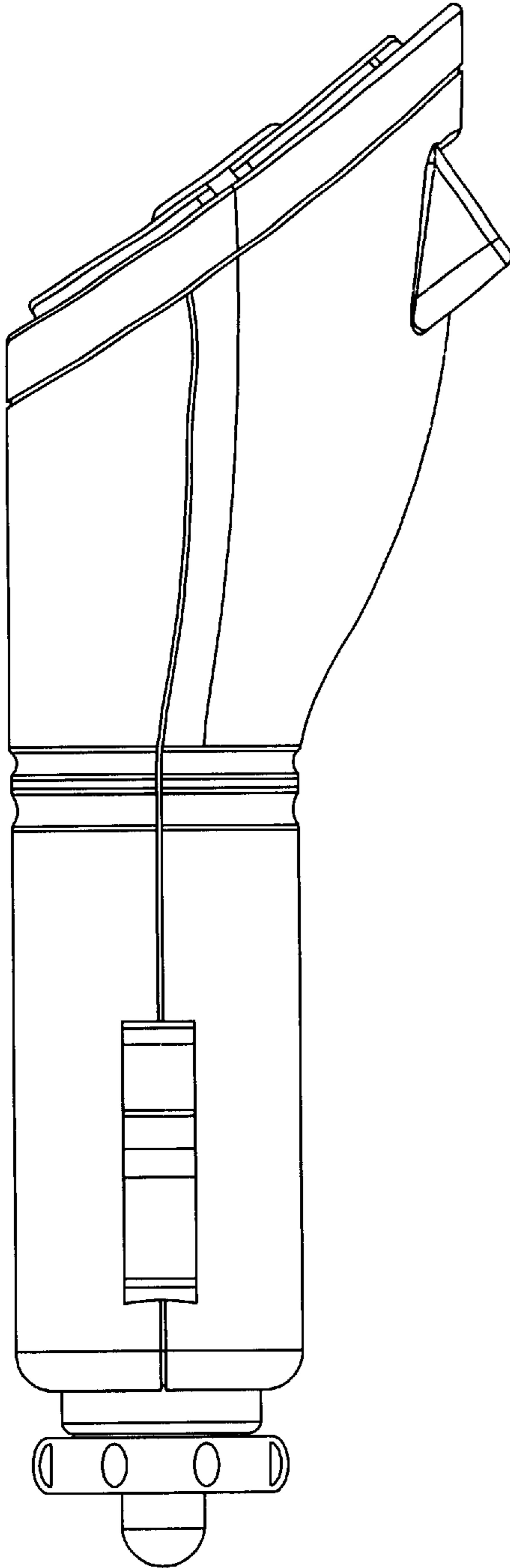


FIG. 4

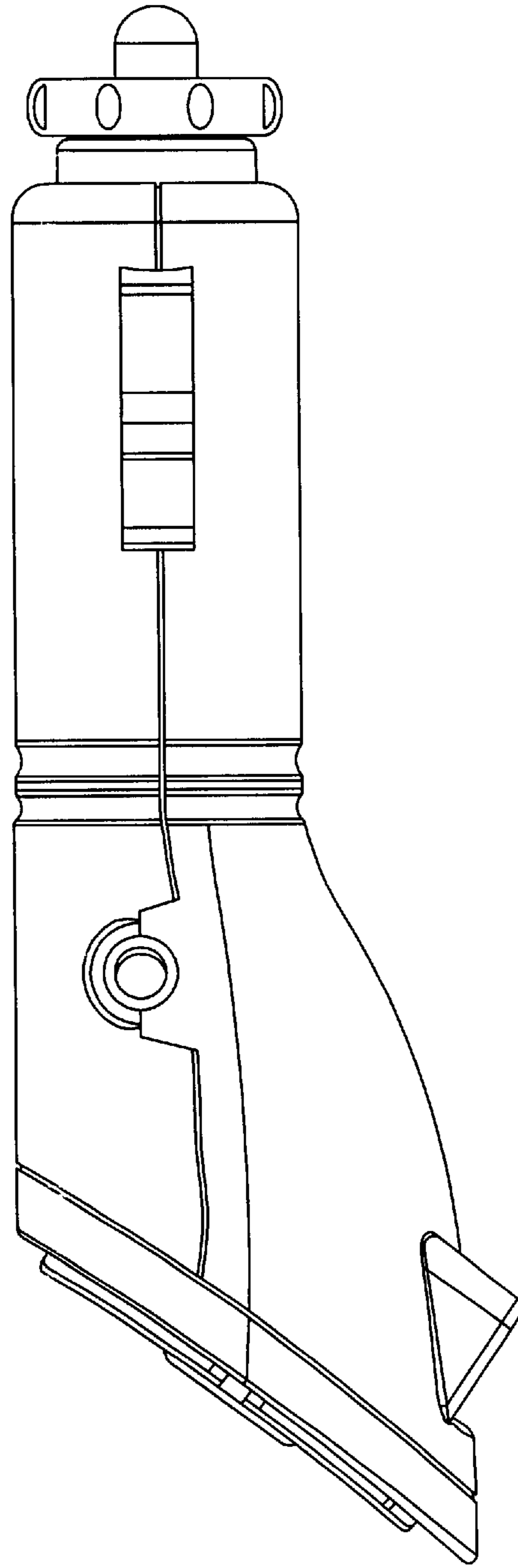


FIG. 5

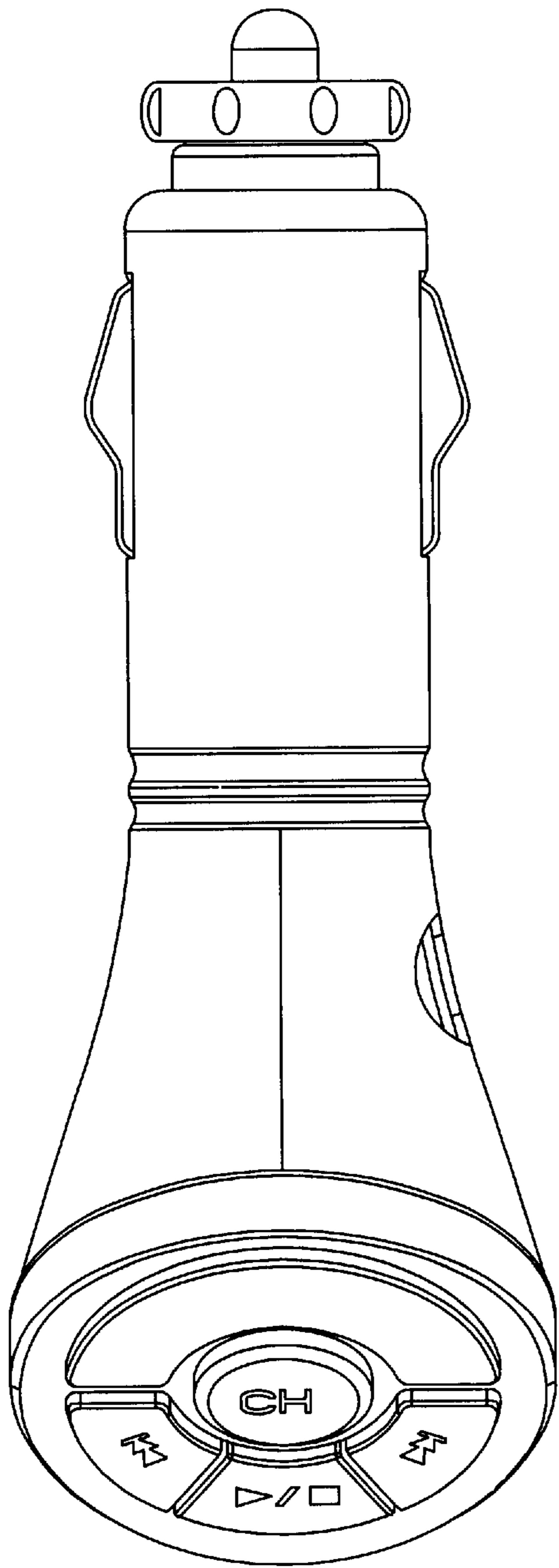


FIG. 6

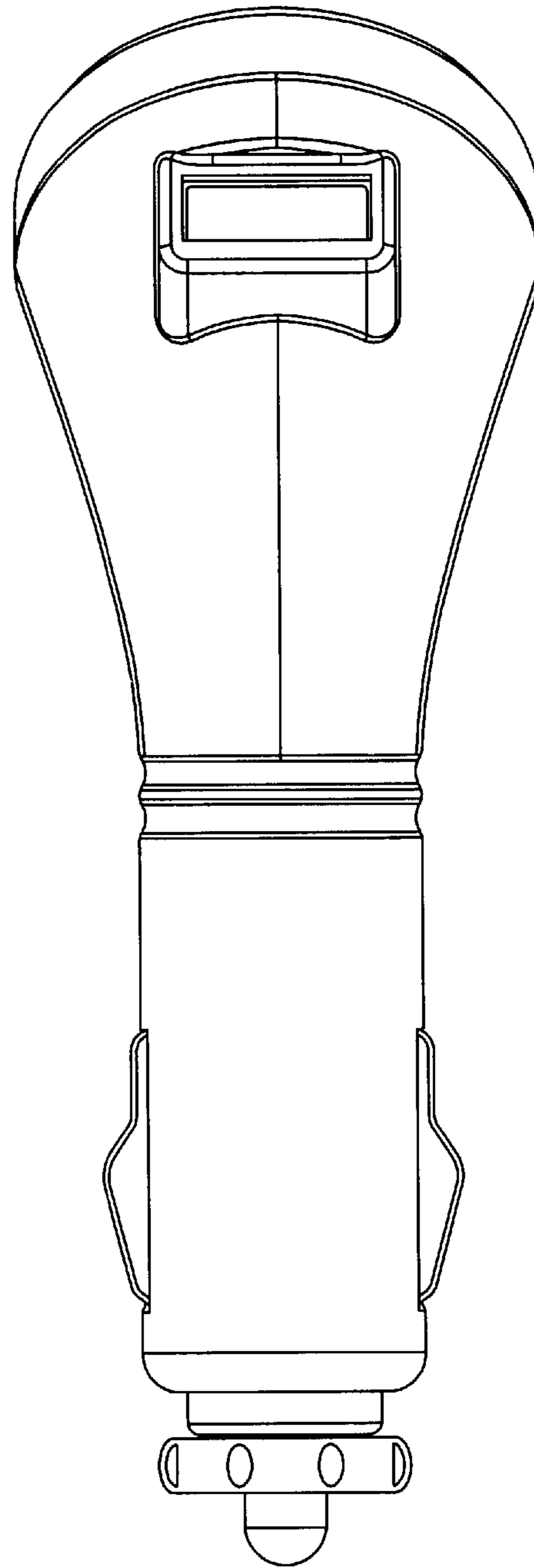


FIG. 7