



US00D530303S

(12) **United States Design Patent**
Tang

(10) **Patent No.:** **US D530,303 S**

(45) **Date of Patent:** **** Oct. 17, 2006**

(54) **TELEPHONE**

(75) Inventor: **Yi-Hsiu Tang**, Taipei (TW)

(73) Assignee: **Inventec Multimedia & Telecom Corporation**, Taipei (TW)

(**) Term: **14 Years**

(21) Appl. No.: **29/239,325**

(22) Filed: **Sep. 29, 2005**

(51) **LOC (8) Cl.** **14-03**

(52) **U.S. Cl.** **D14/151**

(58) **Field of Classification Search** D14/144,
D14/137-138, 140, 142, 147-151, 240, 248;
379/419, 440, 434-436, 454-455

See application file for complete search history.

(56) **References Cited**

U.S. PATENT DOCUMENTS

D427,985 S	*	7/2000	Takayama et al.	D14/151
D428,000 S	*	7/2000	Takayama et al.	D14/140.9
6,445,793 B1	*	9/2002	Vassallo et al.	379/428.01
D472,227 S	*	3/2003	Takayama et al.	D14/151
D490,394 S	*	5/2004	Taniguchi et al.	D14/151
2005/0069126 A1	*	3/2005	Xue	379/454

OTHER PUBLICATIONS

“Linskys SPA-941 2 or 4-Line IP Telephone”, 3-p including photo, [online], <URL:http://voipstore.atacomm.com/Shops/ViewItem.aspx/27934028032-47512667392.htm>, site visited May 12, 2006, date not found on WayBackMachine Internet Archive.*

* cited by examiner

Primary Examiner—Ian Simmons

Assistant Examiner—Carla Jobe Wright

(74) *Attorney, Agent, or Firm*—Rabin & Berdo, P.C.

(57) **CLAIM**

The ornamental design for a telephone, as shown and described.

DESCRIPTION

FIG. 1 is a perspective view of a telephone showing my new design;

FIG. 2 is a front view thereof;

FIG. 3 is a rear view thereof;

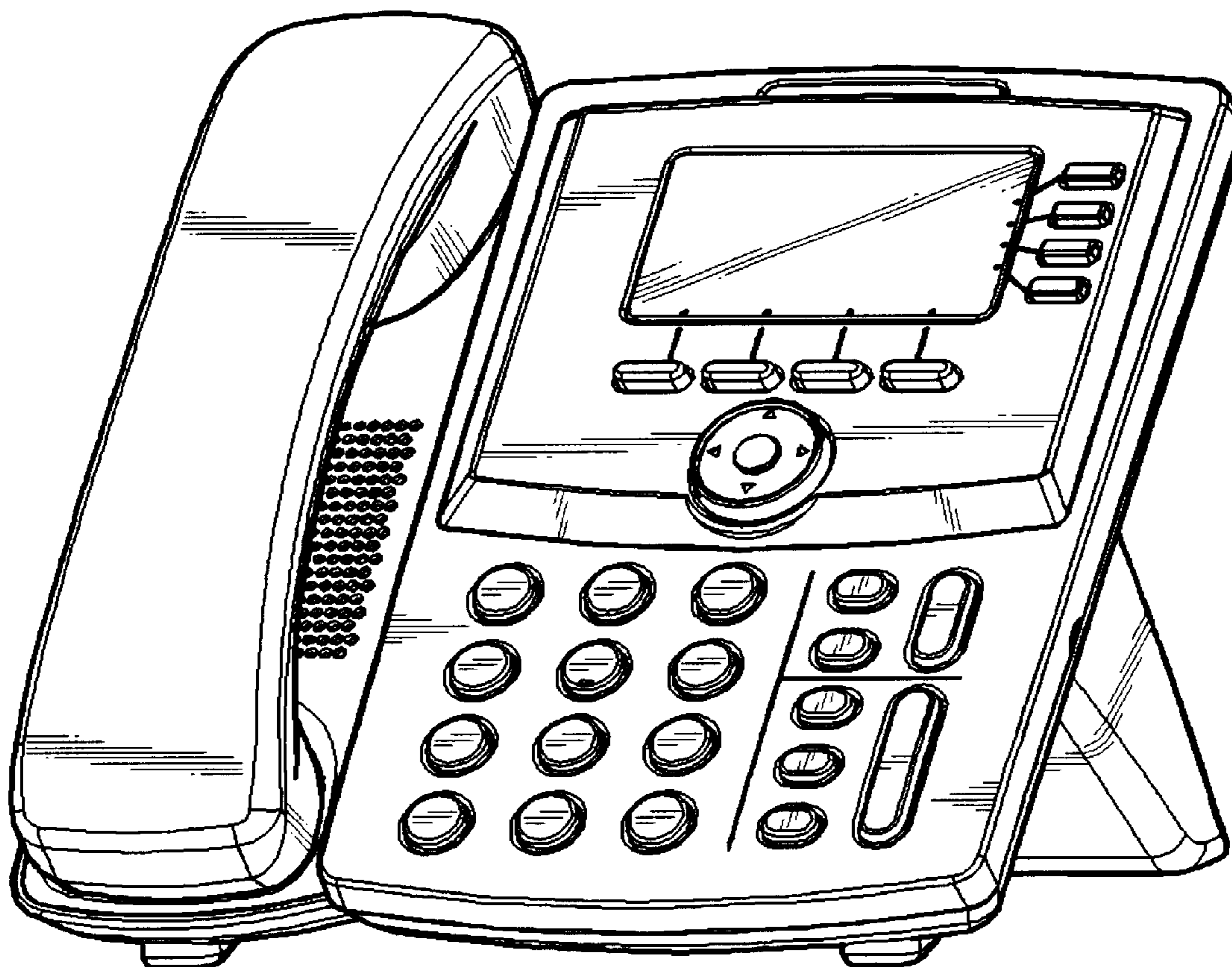
FIG. 4 is a left side elevational view thereof;

FIG. 5 is a right side elevational view thereof;

FIG. 6 is a top view thereof; and,

FIG. 7 is a bottom view thereof.

1 Claim, 4 Drawing Sheets



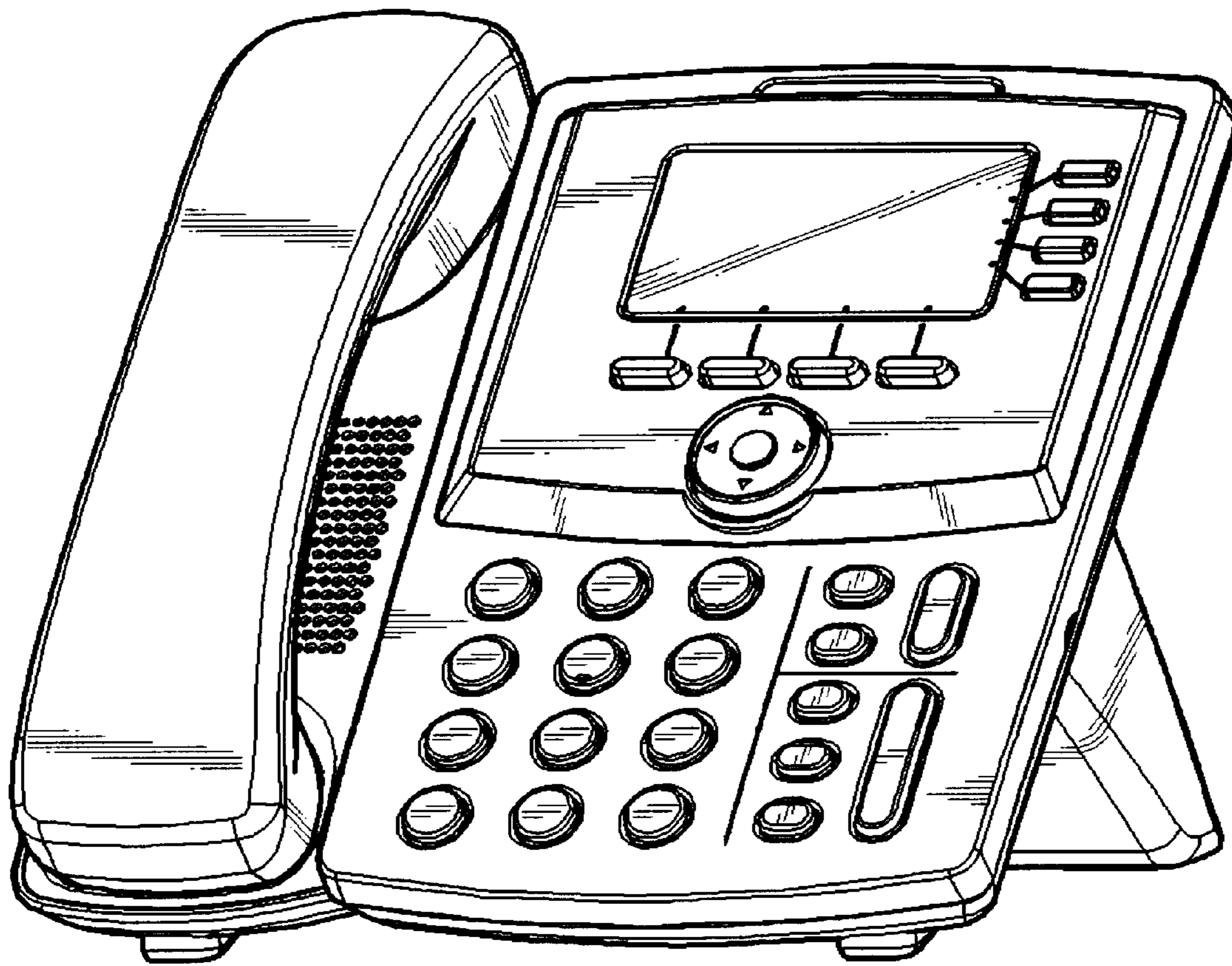


FIG. 1

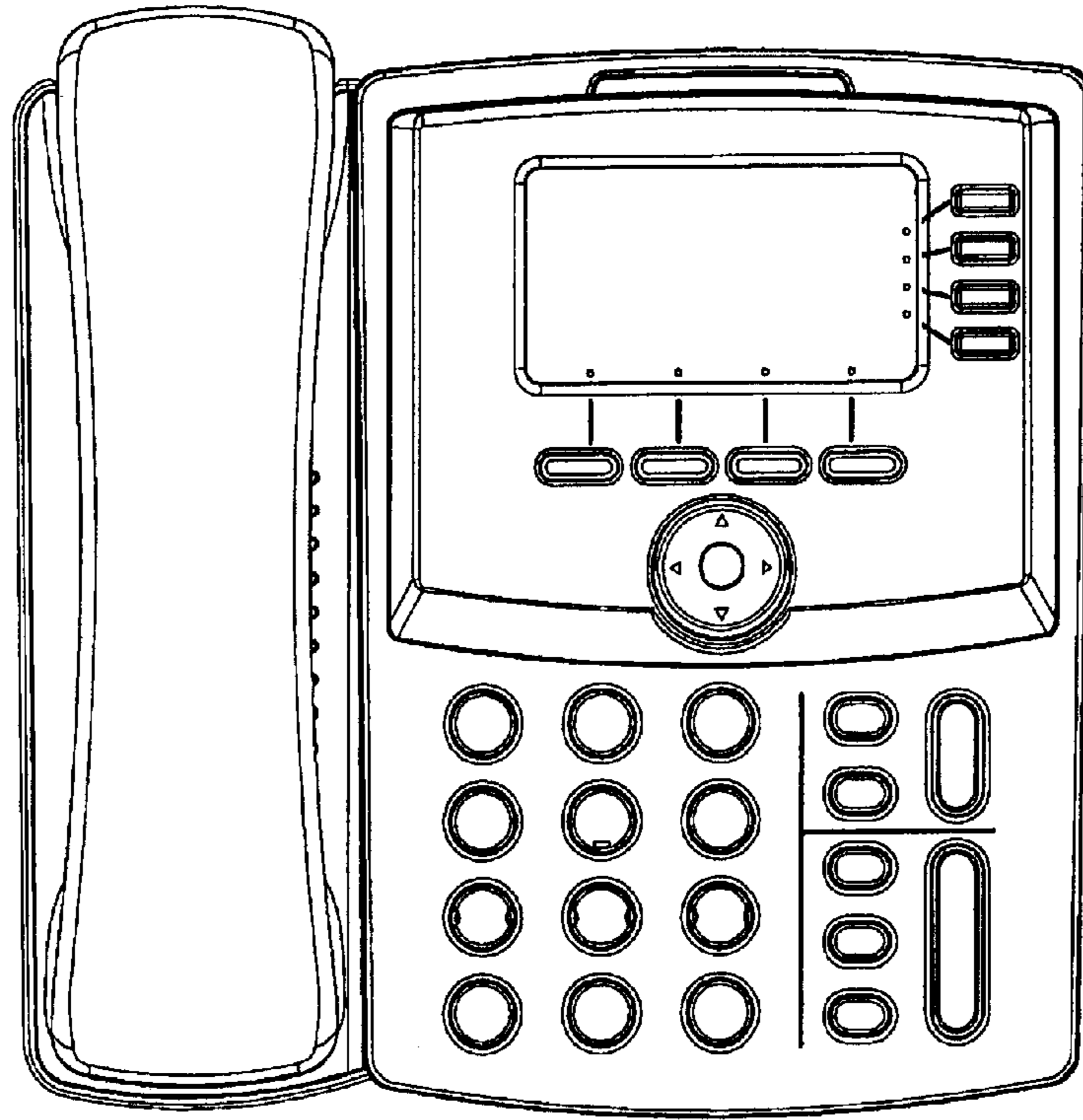


FIG. 2

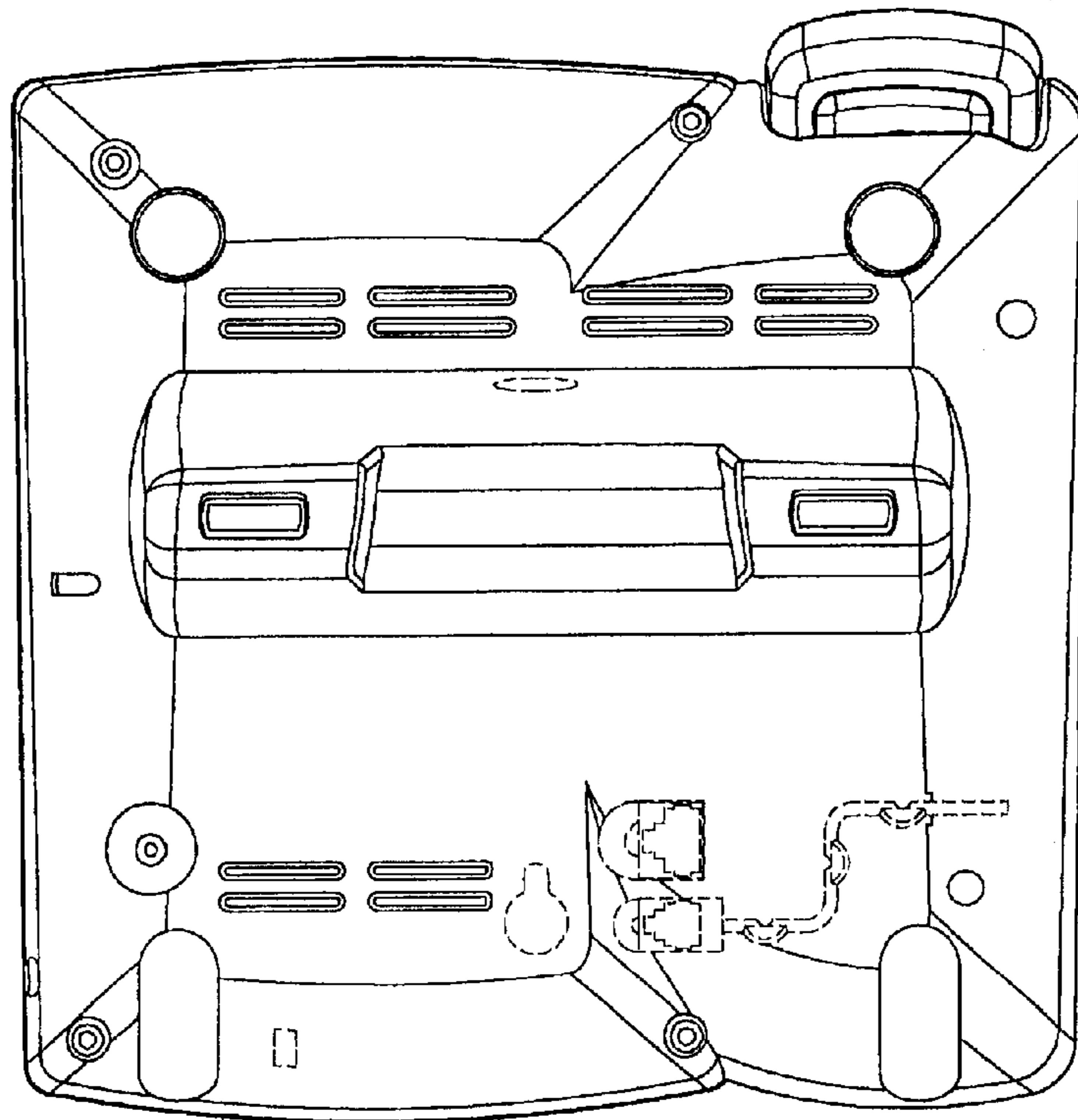


FIG. 3

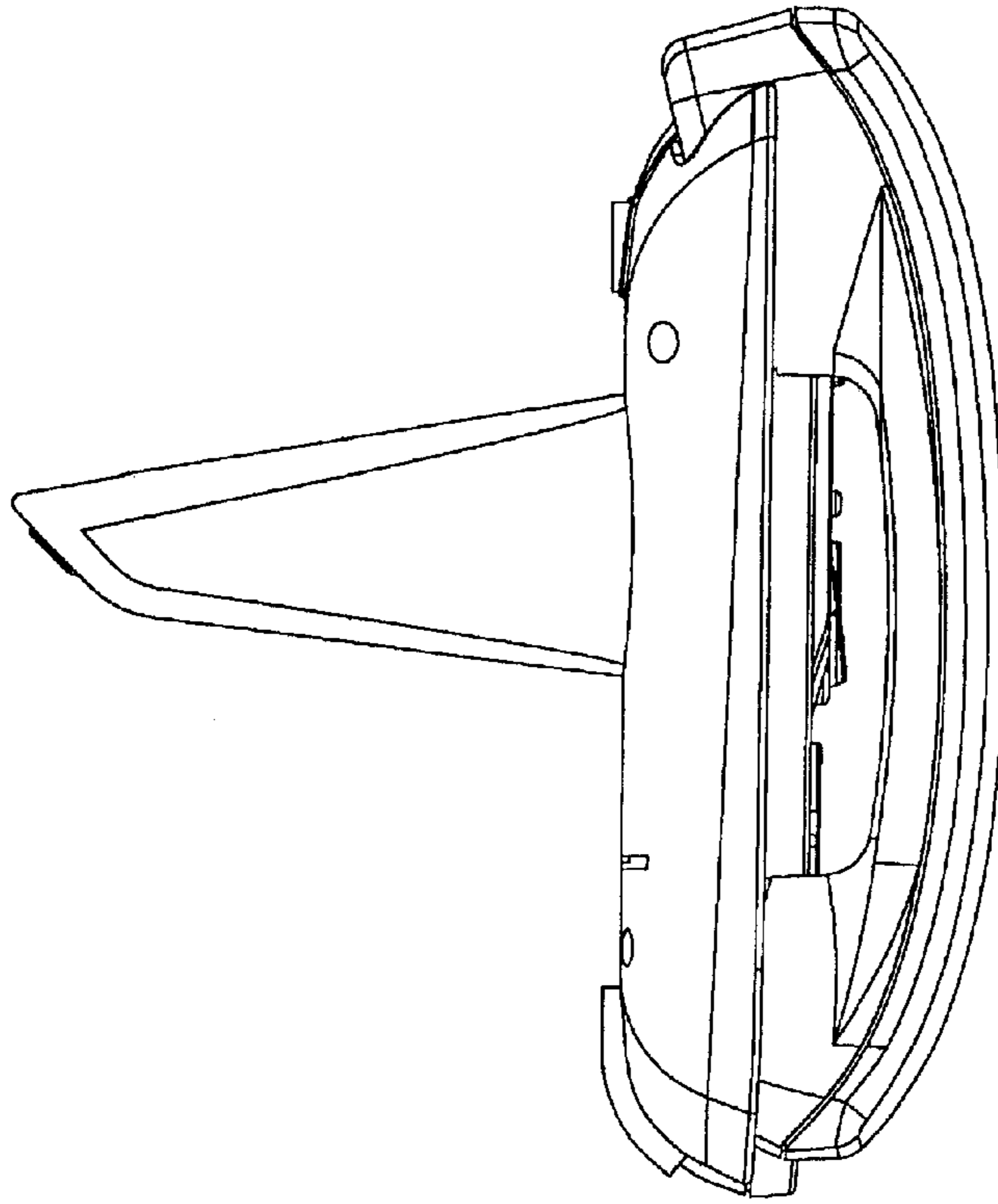


FIG. 4

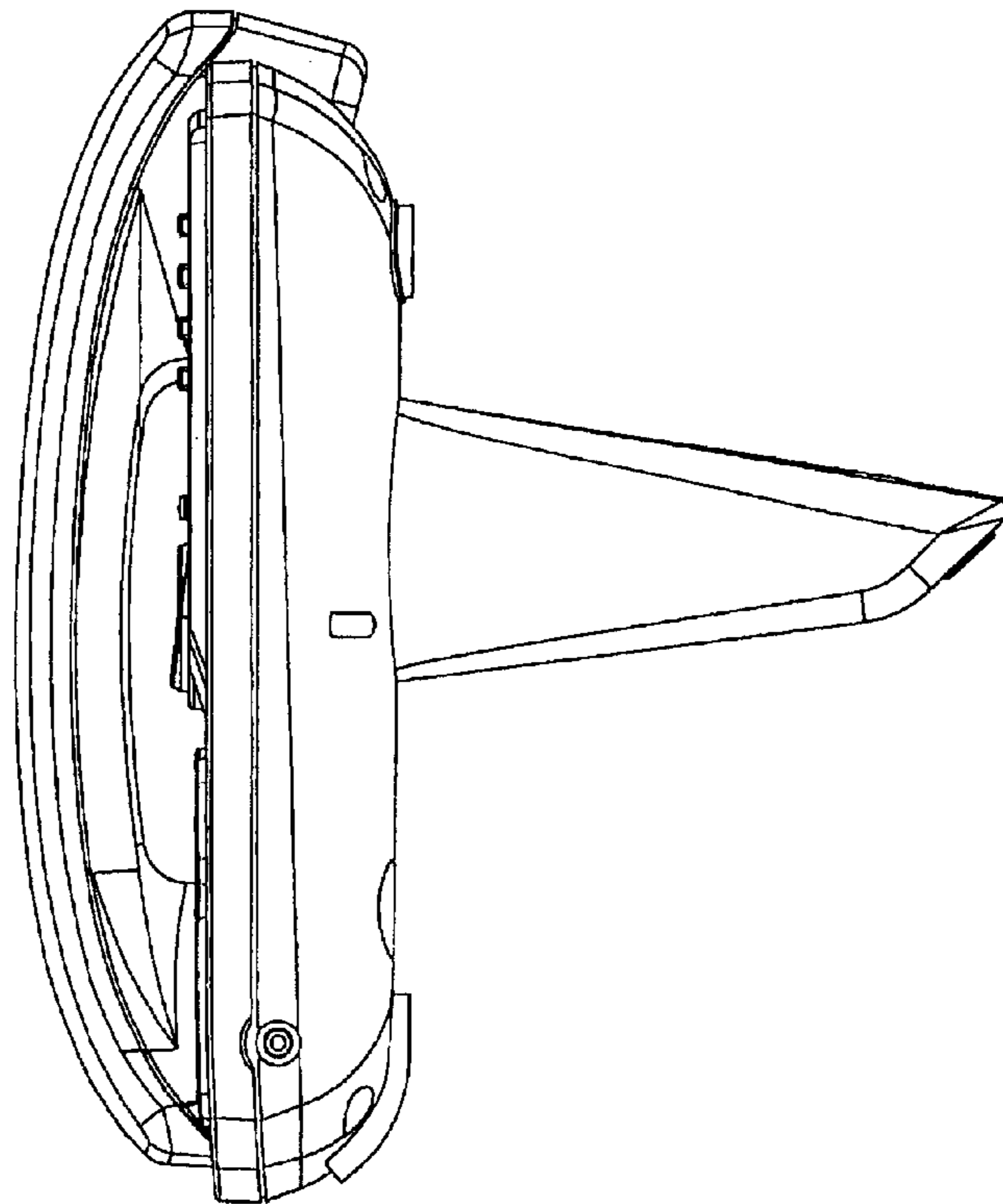


FIG. 5

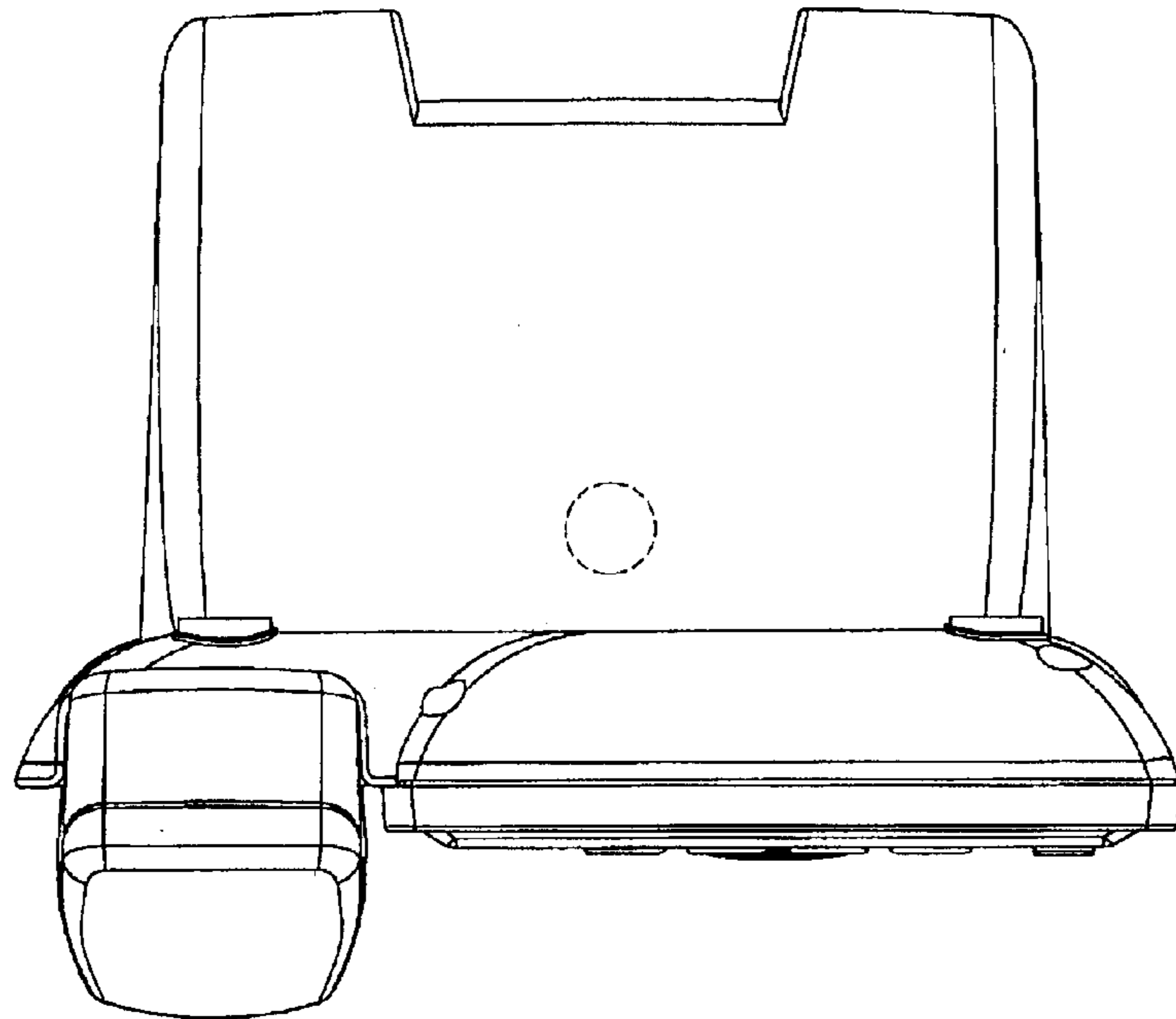


FIG. 6

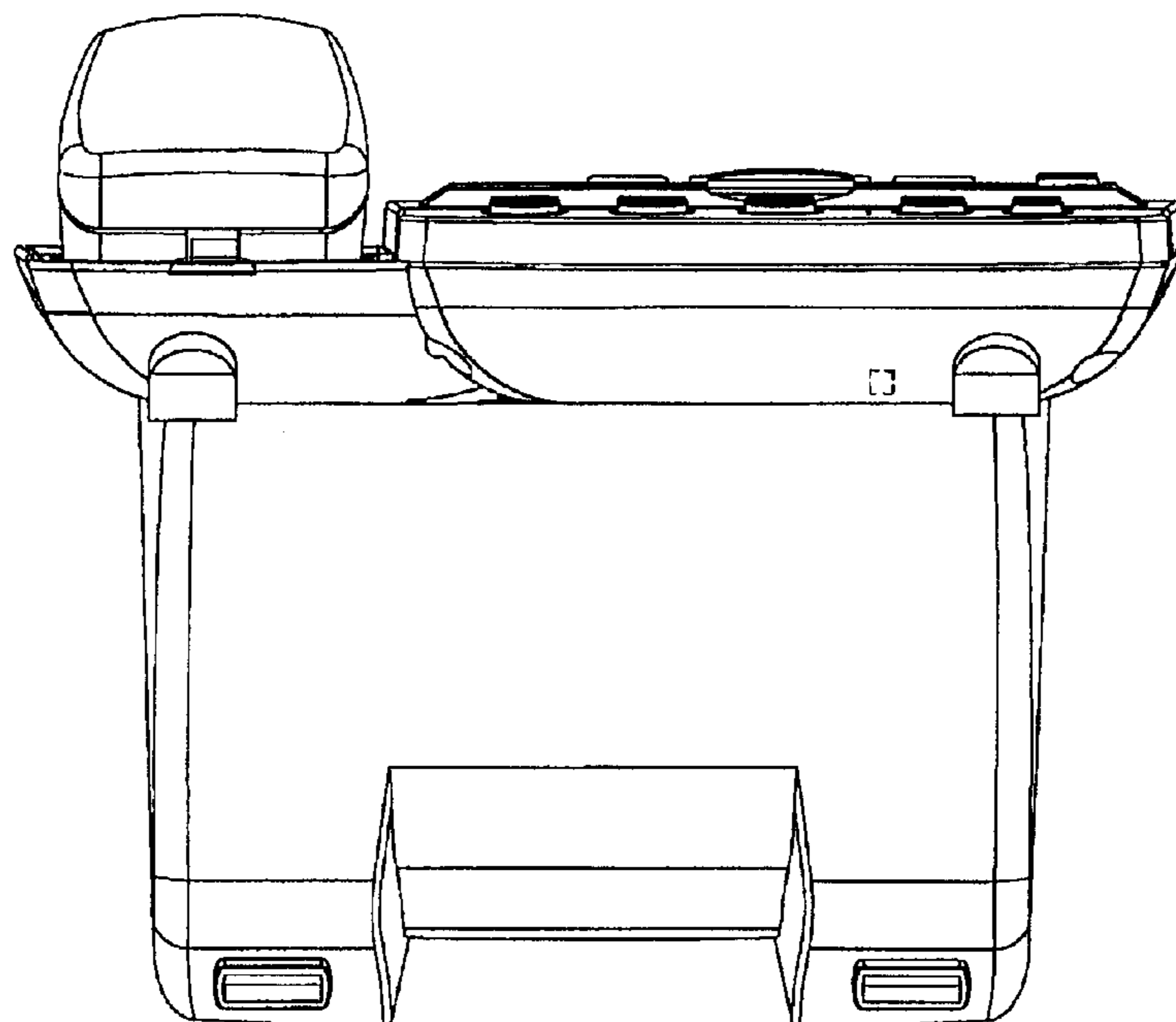


FIG. 7