

US00D530296S

(12) **United States Design Patent**
Kim et al.

(10) **Patent No.:** **US D530,296 S**

(45) **Date of Patent:** **** Oct. 17, 2006**

(54) **CELLULAR PHONE**

(75) Inventors: **Nam Mi Kim**, Seoul (KR); **Chang Hwan Hwang**, Kyunggi-do (KR); **Min Hyouk Lee**, Kyunggi-do (KR); **Nam Su Kim**, Seoul (KR)

(73) Assignee: **Samsung Electronics Co., Ltd.** (KR)

(**) Term: **14 Years**

(21) Appl. No.: **29/224,044**

(22) Filed: **Feb. 24, 2005**

(30) **Foreign Application Priority Data**

Jan. 21, 2005 (KR) 30-2005-0001915

(51) **LOC (8) Cl.** **14-03**

(52) **U.S. Cl.** **D14/138**

(58) **Field of Classification Search** D14/137,
D14/138, 147-148, 247-248, 144, 341-347;
379/433.01-433.13, 434; D21/517; 455/575.3,
455/566, 575.1; 345/169; 348/376, 14.02
See application file for complete search history.

(56) **References Cited**

U.S. PATENT DOCUMENTS

D447,128 S	*	8/2001	Lee et al.	D14/138
D485,818 S	*	1/2004	Yabe et al.	D14/138
D486,462 S	*	2/2004	Lim	D14/138
D487,443 S	*	3/2004	Yoon	D14/138
D488,453 S	*	4/2004	Chang et al.	D14/138
D491,907 S	*	6/2004	Ogawa	D14/138
D496,016 S	*	9/2004	Hoo	D14/138
D496,020 S	*	9/2004	Lee	D14/138
D496,347 S	*	9/2004	Choi et al.	D14/191
D497,893 S	*	11/2004	Hwang et al.	D14/138
D500,016 S	*	12/2004	Kim	D14/138
D500,481 S	*	1/2005	Kim et al.	D14/138
D500,994 S	*	1/2005	Lee et al.	D14/138
D501,457 S	*	2/2005	Lee et al.	D14/138
D501,838 S	*	2/2005	Kim et al.	D14/138
D501,839 S	*	2/2005	Lee et al.	D14/138
D502,457 S	*	3/2005	Eigenstetter et al.	D14/138
D502,458 S	*	3/2005	Chung et al.	D14/138

D504,406 S	*	4/2005	Cho et al.	D14/138
D507,252 S	*	7/2005	Kim et al.	D14/138
D507,552 S	*	7/2005	Liang	D14/138
D507,554 S	*	7/2005	Kim	D14/138
D507,788 S	*	7/2005	Li et al.	D14/138
D508,034 S	*	8/2005	Liao	D14/138
D508,035 S	*	8/2005	Kim et al.	D14/138
D508,036 S	*	8/2005	Wada	D14/138
D508,238 S	*	8/2005	Kim et al.	D14/138
D508,475 S	*	8/2005	Wu et al.	D14/138
D508,684 S	*	8/2005	Lee et al.	D14/138
D509,816 S	*	9/2005	Kim et al.	D14/138
2004/0132513 A1	*	7/2004	Taneda et al.	455/575.3
2004/0142734 A1	*	7/2004	Kim	455/575.1
2004/0248625 A1	*	12/2004	Yoshida et al.	455/575.1
2005/0003852 A1	*	1/2005	Song	455/550.1
2005/0186985 A1	*	8/2005	Im et al.	455/550.1

FOREIGN PATENT DOCUMENTS

JP	1183170	*	8/2003
JP	1188710	*	10/2003
JP	1190601	*	11/2003
WO	DM/066630	*	5/2005

* cited by examiner

Primary Examiner—Jeffrey Asch

(74) *Attorney, Agent, or Firm*—Irving Keschner

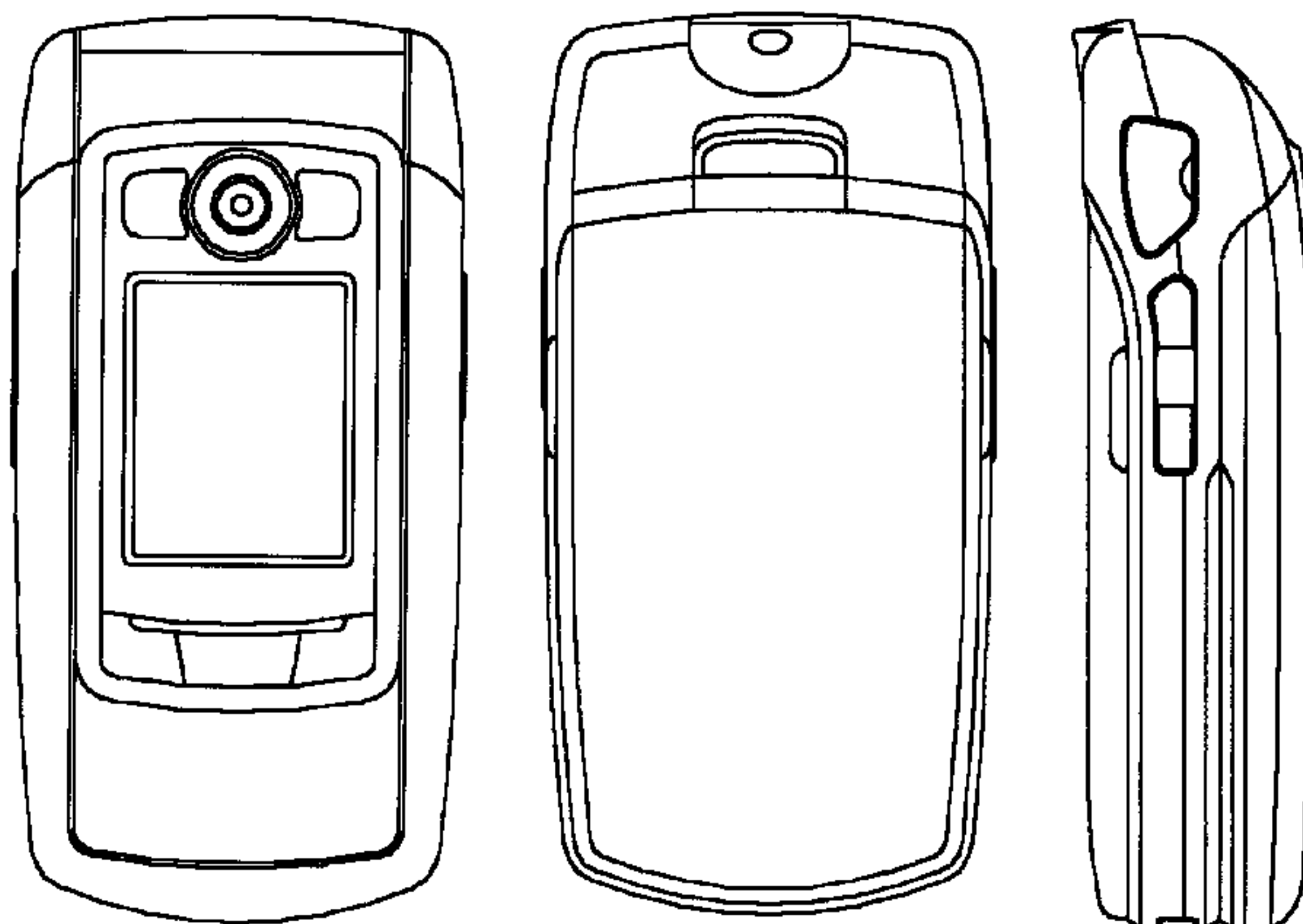
(57) **CLAIM**

The ornamental design for cellular phone, as shown.

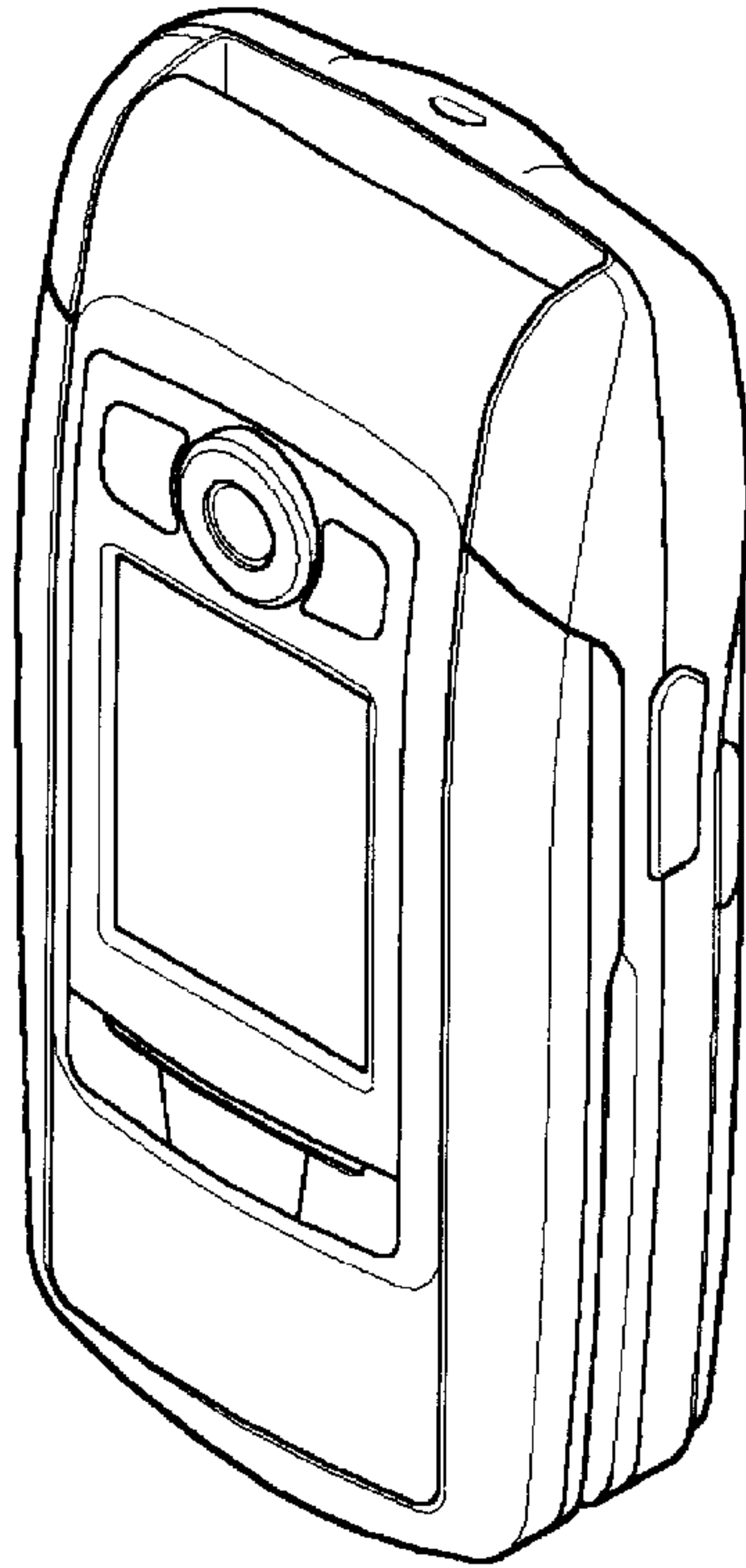
DESCRIPTION

FIG. 1 is a perspective view of the ornamental design of the present invention;
FIG. 2 is a front elevational view of the ornamental design of the present invention;
FIG. 3 is a rear elevational view of the ornamental design of the present invention;
FIG. 4 is a left side elevational view of the ornamental design of the present invention;
FIG. 5 is a right side elevational view of the ornamental design of the present invention;
FIG. 6 is a top plan view of the ornamental design of the present invention; and,
FIG. 7 is a bottom view of the ornamental design of the present invention.

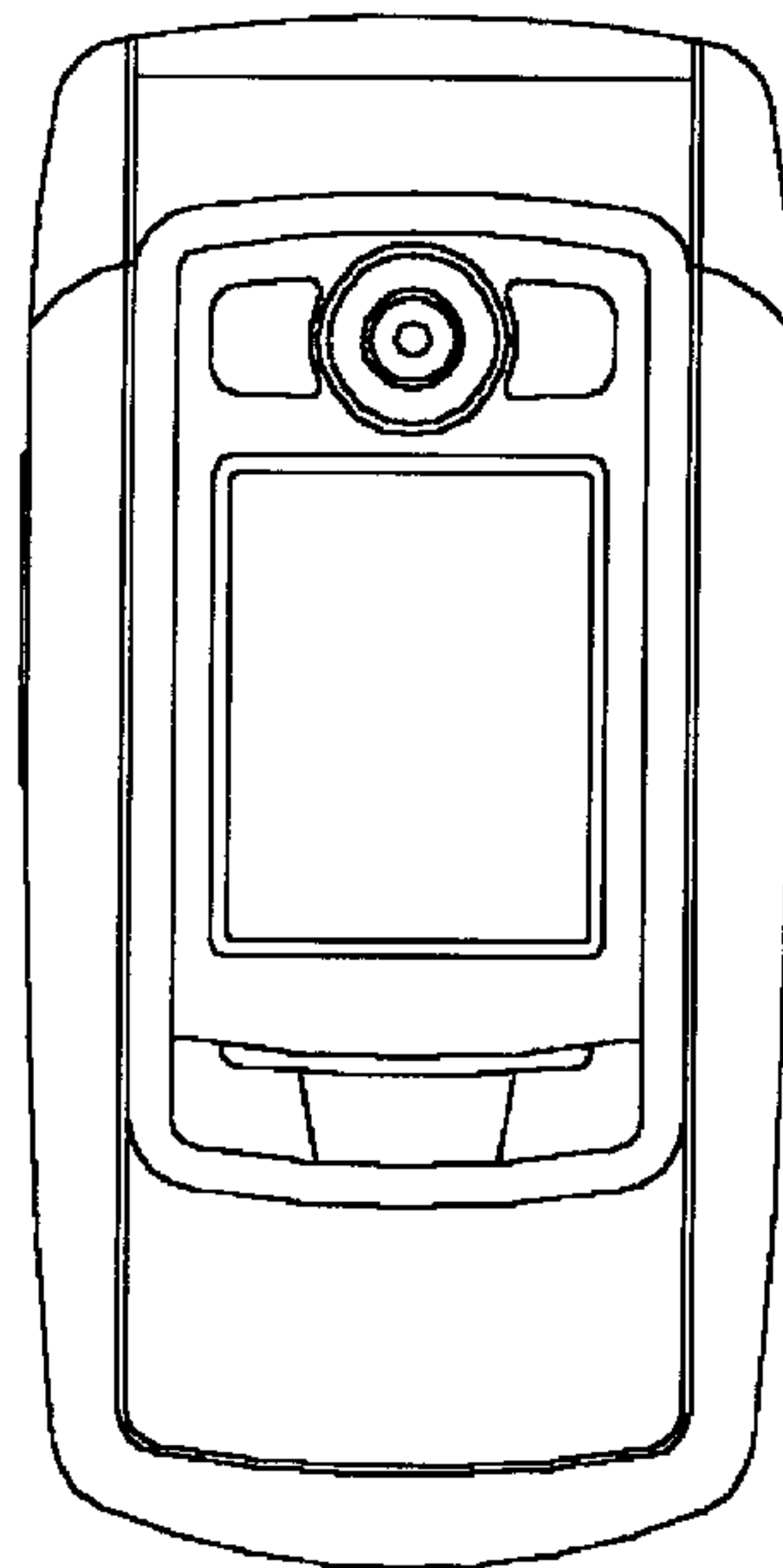
1 Claim, 3 Drawing Sheets



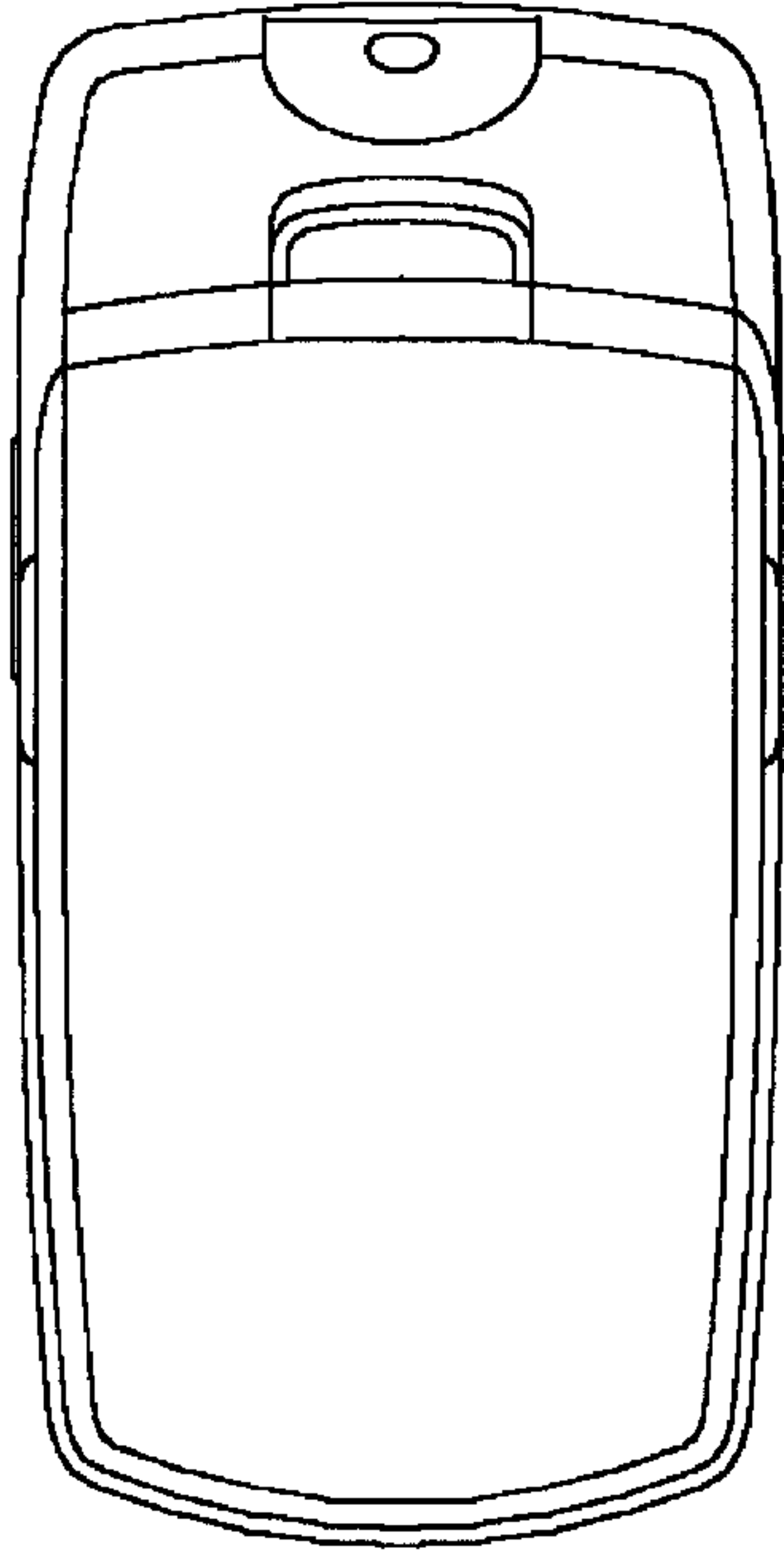
【 Fig. 1】



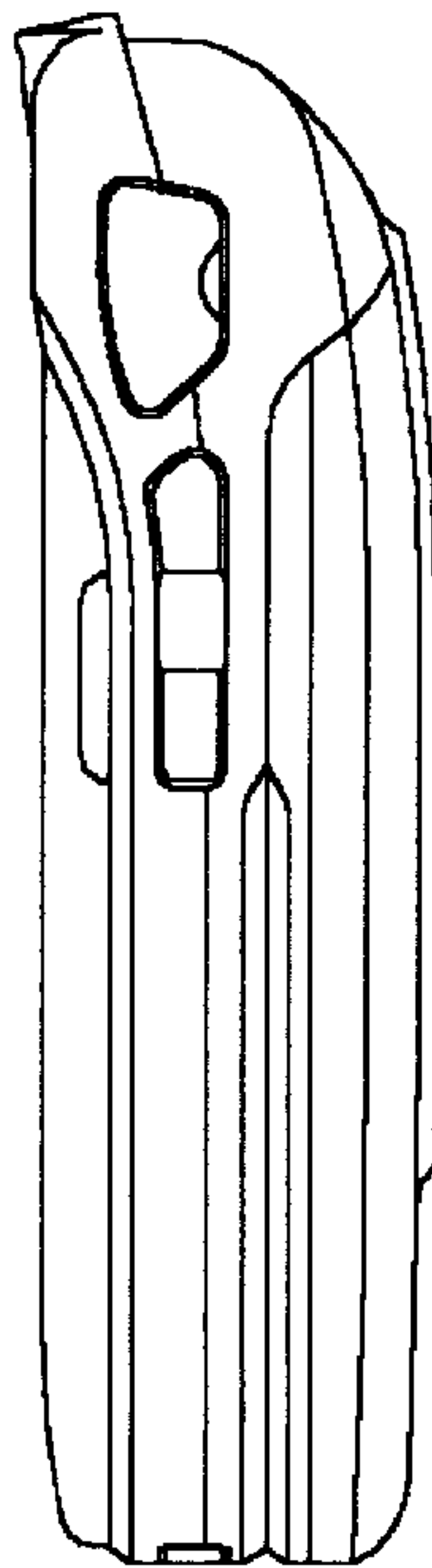
【 Fig. 2】



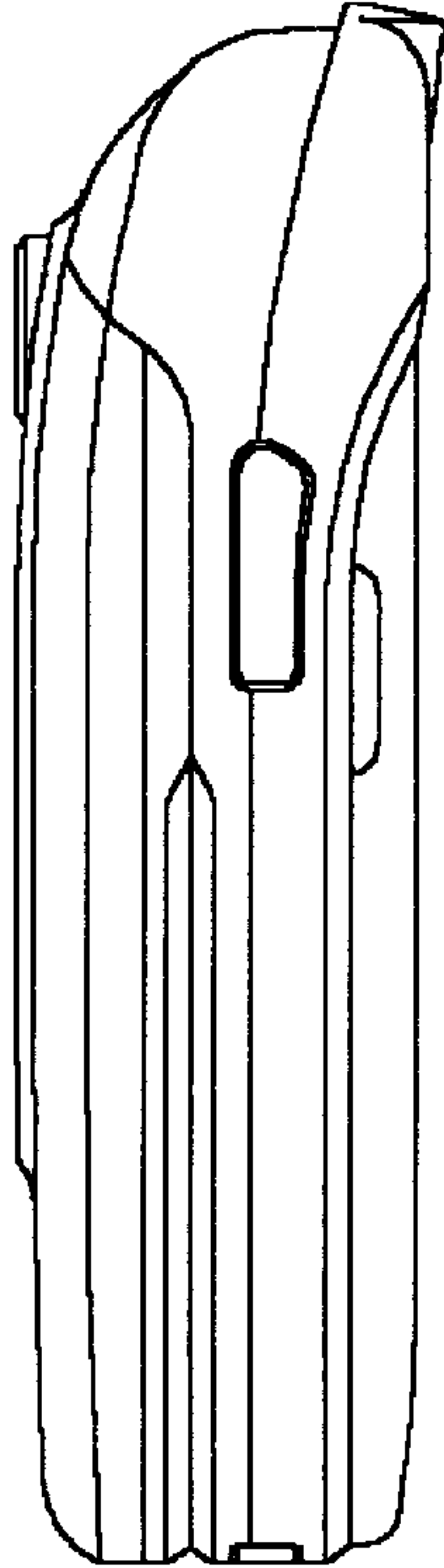
【 Fig. 3】



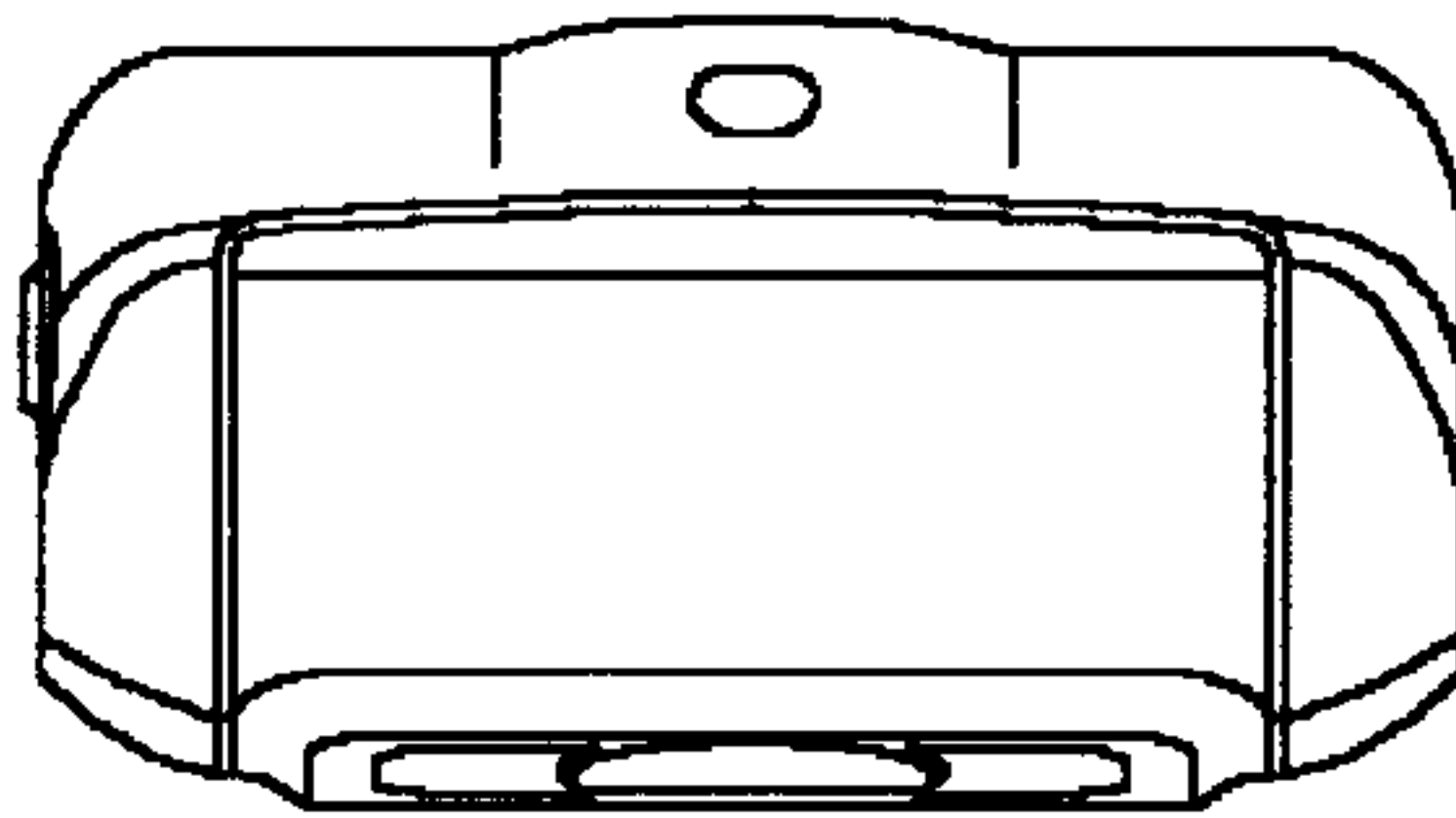
【 Fig. 4】



【 Fig. 5】



【 Fig. 6】



【 Fig. 7】

