



US00D530295S

(12) **United States Design Patent**  
**Chung et al.**

(10) **Patent No.:** **US D530,295 S**

(45) **Date of Patent:** **\*\* Oct. 17, 2006**

(54) **CELLULAR PHONE**

(75) Inventors: **Sung-Mo Chung**, Seoul (KR);  
**Jong-Seong Lee**, Seoul (KR);  
**Chang-Hwan Hwang**, Goyang-si (KR)

(73) Assignee: **Samsung Electronics Co., Ltd.** (KR)

(\*\*) Term: **14 Years**

(21) Appl. No.: **29/221,620**

(22) Filed: **Jan. 17, 2005**

(30) **Foreign Application Priority Data**

Nov. 17, 2004 (KR) ..... 30-2004-0035143

(51) **LOC (8) Cl.** ..... **14-03**

(52) **U.S. Cl.** ..... **D14/138**

(58) **Field of Classification Search** ..... D14/137,  
D14/138, 147-148, 247-248, 144, 341-347;  
379/433.01-433.13; 455/575.4, 566, 575.1,  
455/556.1, 556.2, 90.3; D16/208

See application file for complete search history.

(56) **References Cited**

**U.S. PATENT DOCUMENTS**

D448,757 S	*	10/2001	Okubo	.....	D14/218
D464,963 S	*	10/2002	Nishida	.....	D14/346
D466,096 S	*	11/2002	Takada	.....	D14/138
D476,328 S	*	6/2003	Miao et al.	.....	D14/346
D488,789 S	*	4/2004	Lee	.....	D14/138
D503,699 S	*	4/2005	Lee et al.	.....	D14/138
D506,988 S	*	7/2005	Oh	.....	D14/138
D508,240 S	*	8/2005	Lee et al.	.....	D14/138
D508,473 S	*	8/2005	Lee et al.	.....	D14/138
D508,688 S	*	8/2005	Lee et al.	.....	D14/138
D509,202 S	*	9/2005	Lee et al.	.....	D14/138
D509,206 S	*	9/2005	Jang	.....	D14/138
D509,813 S	*	9/2005	Miyazawa et al.	.....	D14/138
D512,393 S	*	12/2005	Lee et al.	.....	D14/138
D512,702 S	*	12/2005	Lee et al.	.....	D14/138
2004/0259592 A1	*	12/2004	Taneya et al.	.....	455/556.1
2005/0009581 A1	*	1/2005	Im et al.	.....	455/575.4
2005/0014538 A1	*	1/2005	Hyun et al.	.....	455/575.4
2005/0049019 A1	*	3/2005	Lee	.....	455/575.4

2005/0107126 A1	*	5/2005	Kim	.....	455/565
2005/0119034 A1	*	6/2005	Kato et al.	.....	455/575.4
2005/0124394 A1	*	6/2005	Kim et al.	.....	455/575.3
2005/0124398 A1	*	6/2005	Lee et al.	.....	455/575.4
2005/0190291 A1	*	9/2005	Kota et al.	.....	348/376
2005/0245295 A1	*	11/2005	Lee et al.	.....	455/575.1
2005/0250532 A1	*	11/2005	Hwang et al.	.....	455/550.1

**OTHER PUBLICATIONS**

Samsung D720 telephone, announced first quarter 2005, [online], [retrieved on Feb. 19, 2006]. Retrieved from Internet ,URL: <http://www.gsmarena.com>>.\*

Siemens SG75 telephone, announced Sep. 2005, [online], [retrieved on Mar. 24, 2006]. Retrieved from Internet ,URL: <http://www.gsmarena.com>>.\*

Siemens CF110 telephone, announced Aug. 2005, [online], [retrieved on Mar. 24, 2006]. Retrieved from Internet ,URL: <http://www.gsmarena.com>>.\*

Sony Ericsson S600 telephone, announced Jun. 2005, [online], [retrieved on Mar. 26, 2006]. Retrieved from Internet ,URL: <http://www.gsmarena.com>>.\*

(Continued)

*Primary Examiner*—Jeffrey Asch

(74) *Attorney, Agent, or Firm*—Cantor Colburn LLP

(57) **CLAIM**

We claim, the ornamental design for a cellular phone, as shown and described.

**DESCRIPTION**

FIG. 1 is a top and front perspective view of a cellular phone, showing our new design;

FIG. 2 is a front elevational view thereof;

FIG. 3 is a rear elevational view thereof;

FIG. 4 is a left side elevational view thereof;

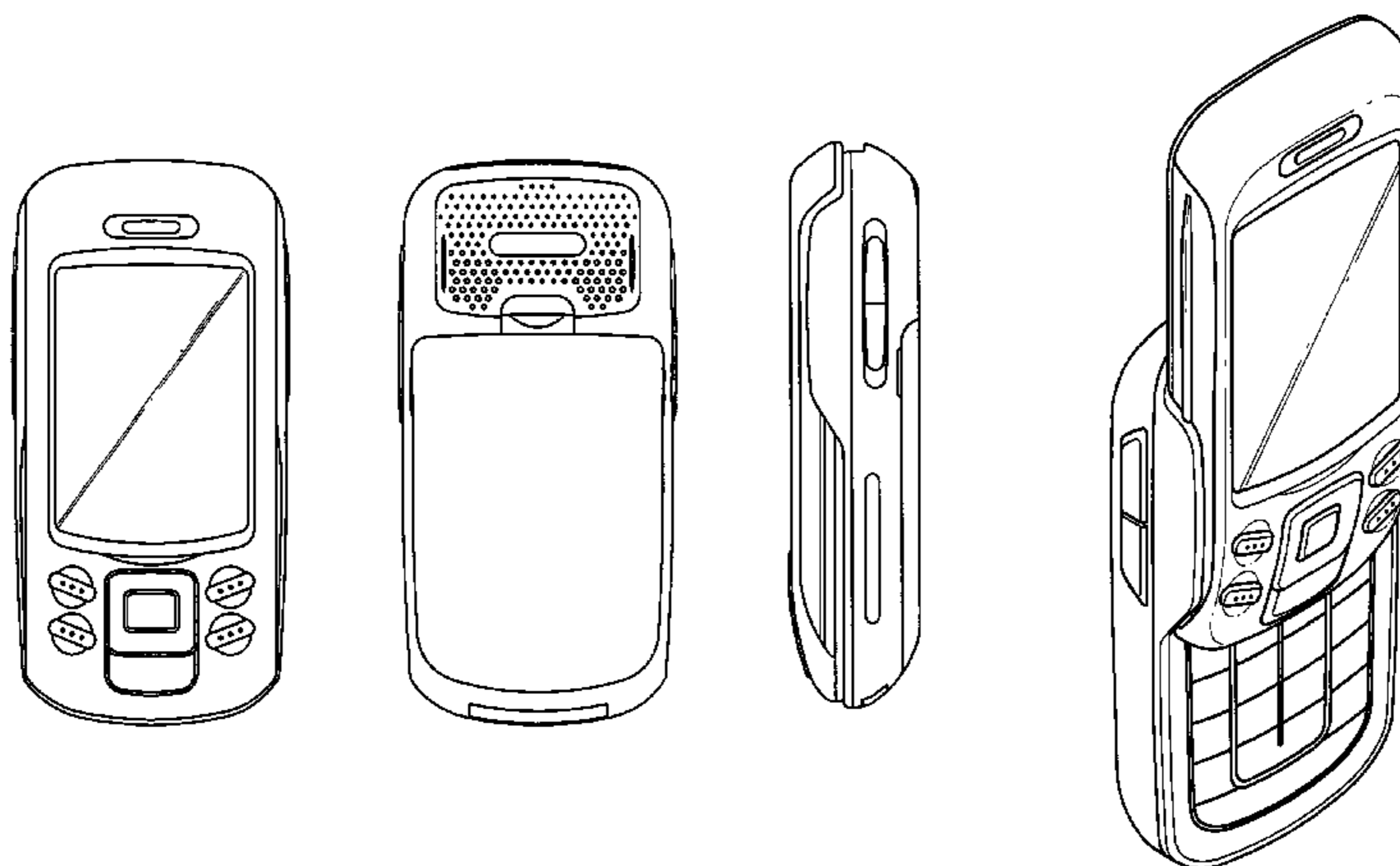
FIG. 5 is a right side elevational view thereof;

FIG. 6 is a top elevational view thereof;

FIG. 7 is a bottom elevational view thereof; and,

FIG. 8 is a front perspective view thereof, the cellular phone being in an alternate position.

**1 Claim, 4 Drawing Sheets**



OTHER PUBLICATIONS

Sagem MY Z-55 telephone, announced First Quarter 2005, [online], [retrieved on Mar. 3, 2006]. Retrieved from Internet ,URL: <http://www.gsmarena.com>>.\*

Sagem myZ-5 telephone, announced Feb. 2006, [online], [retrieved on Feb. 14, 2006]. Retrieved from Internet ,URL: <http://www.gsmarena.com>>.\*

\* cited by examiner

FIG. 1

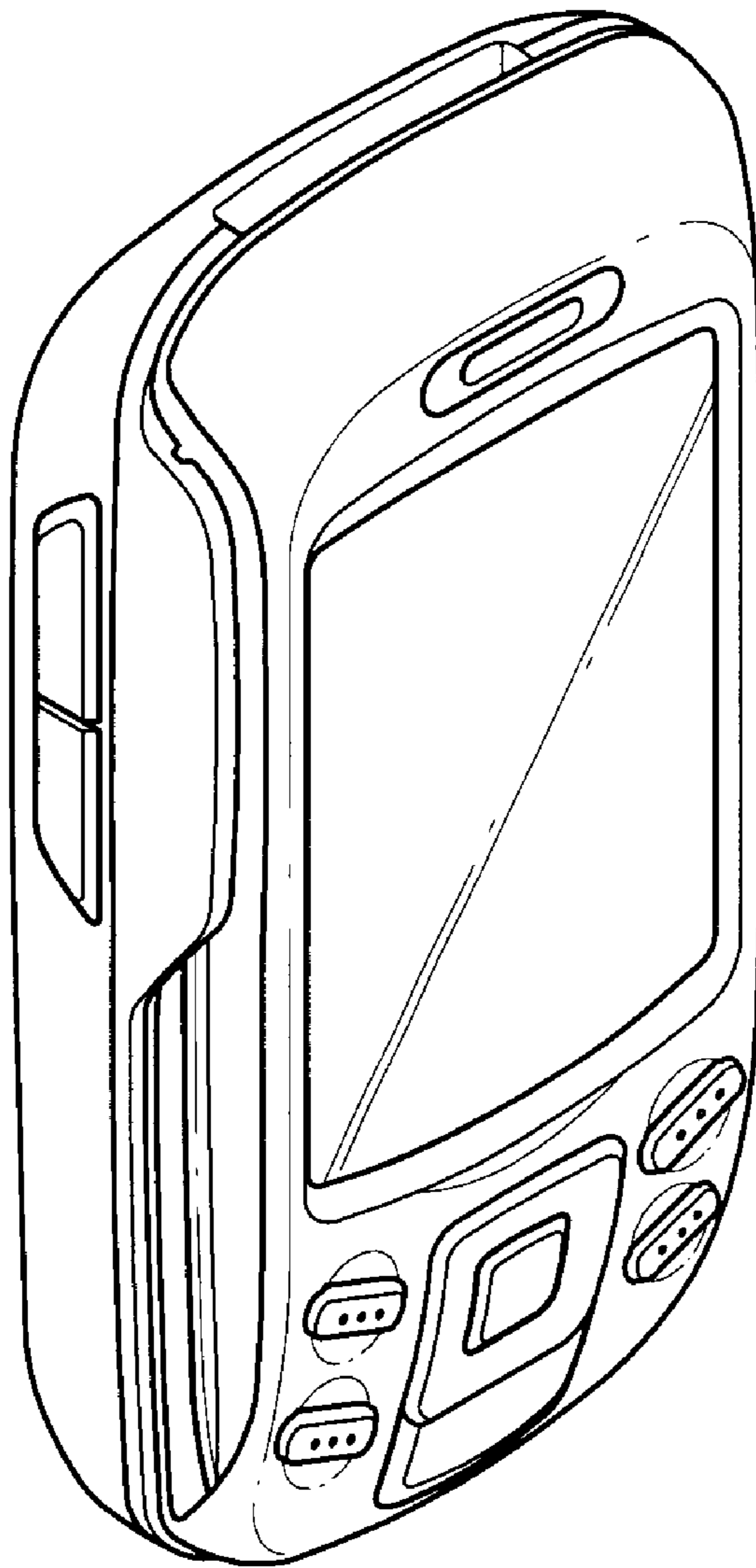


FIG. 2

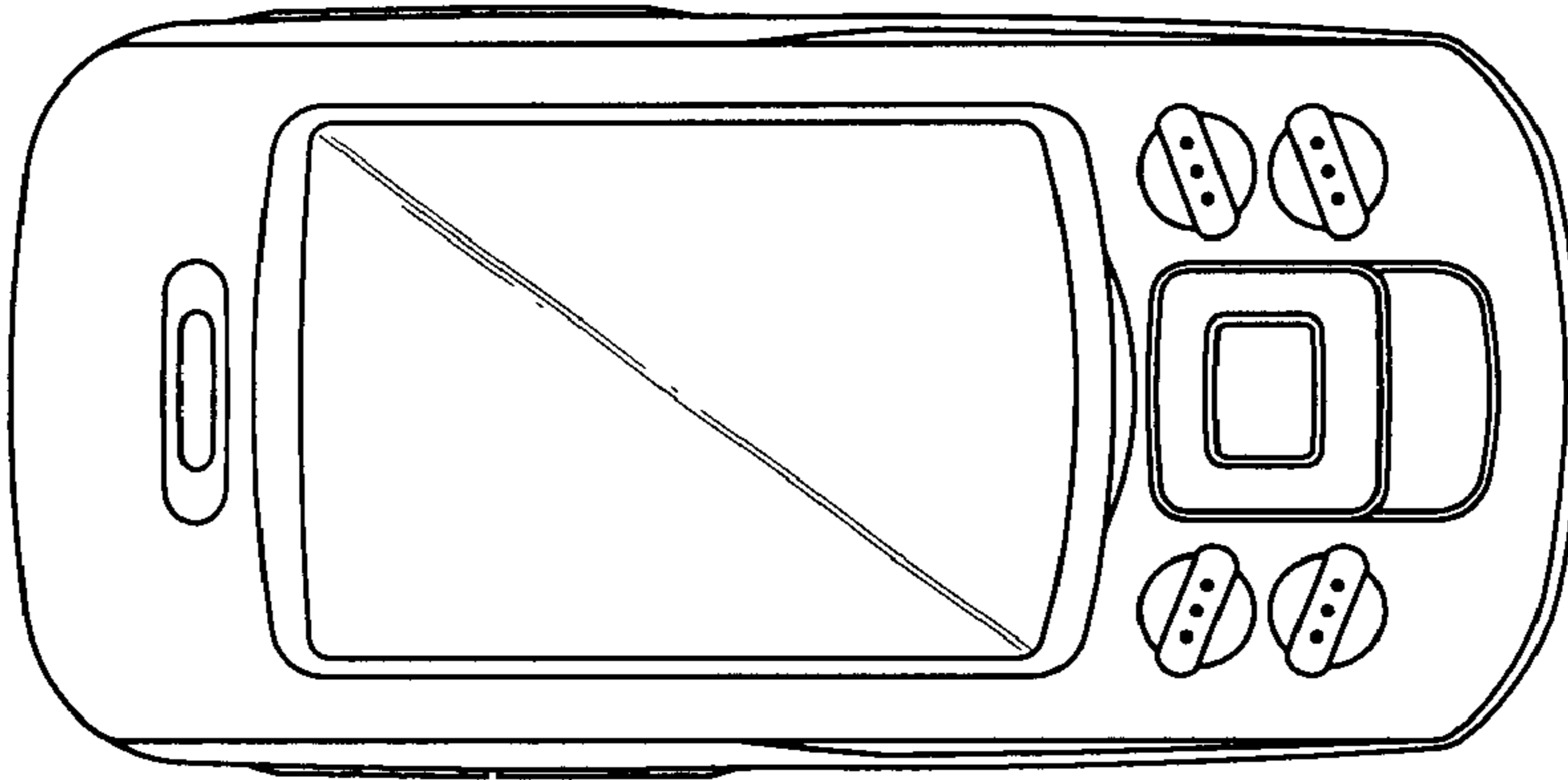


FIG. 3

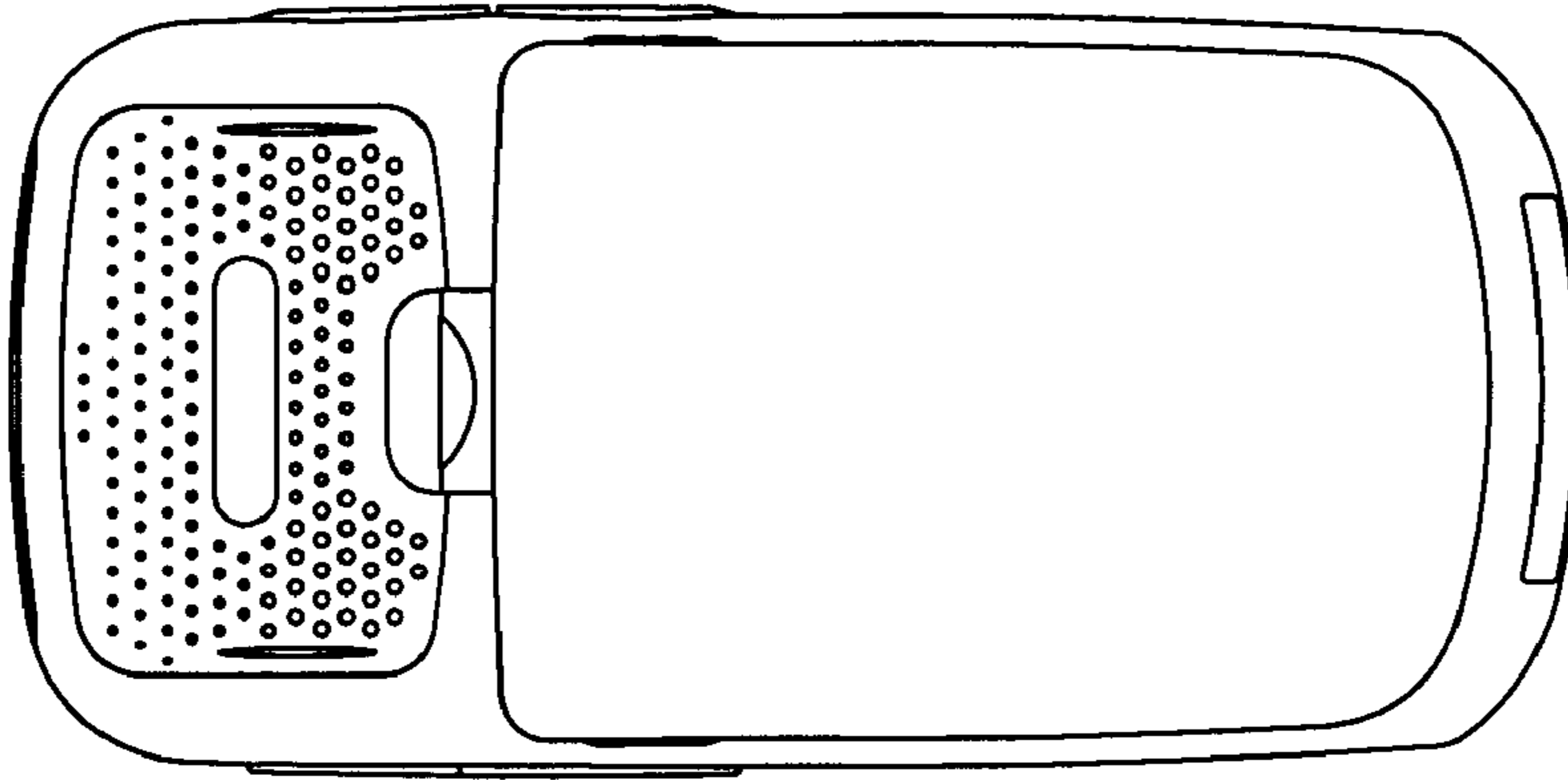


FIG. 4

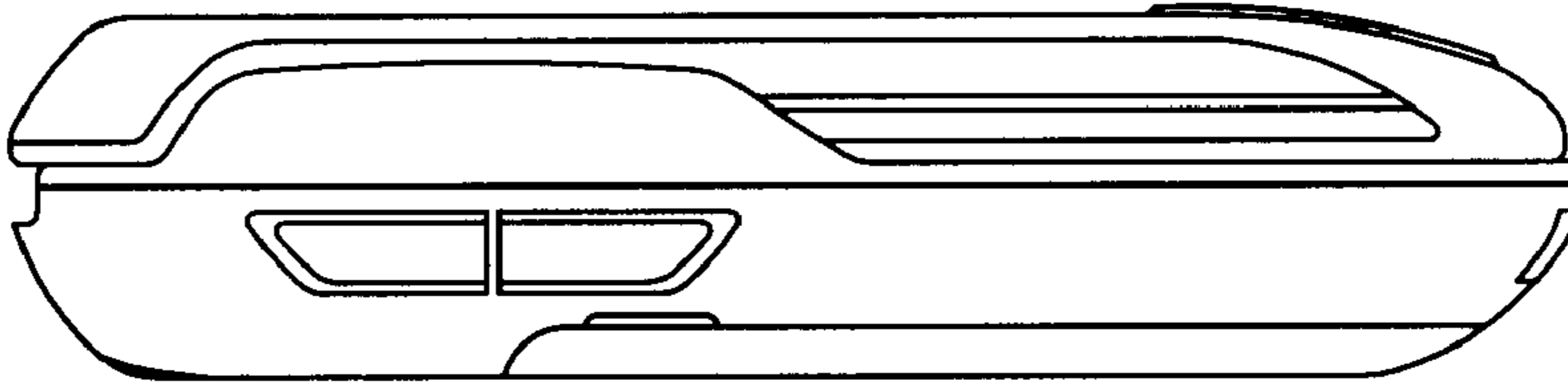


FIG. 5

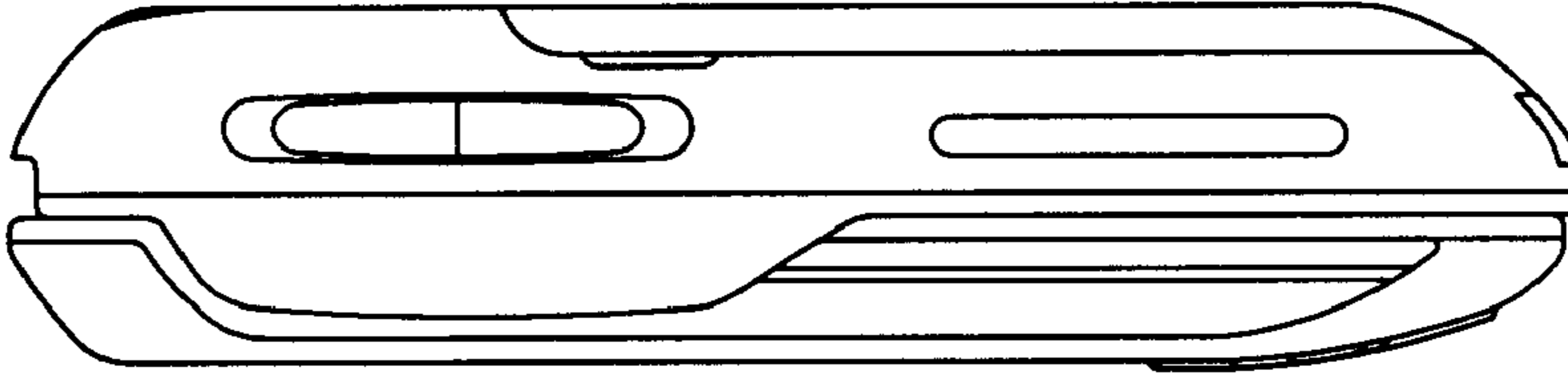


FIG. 6

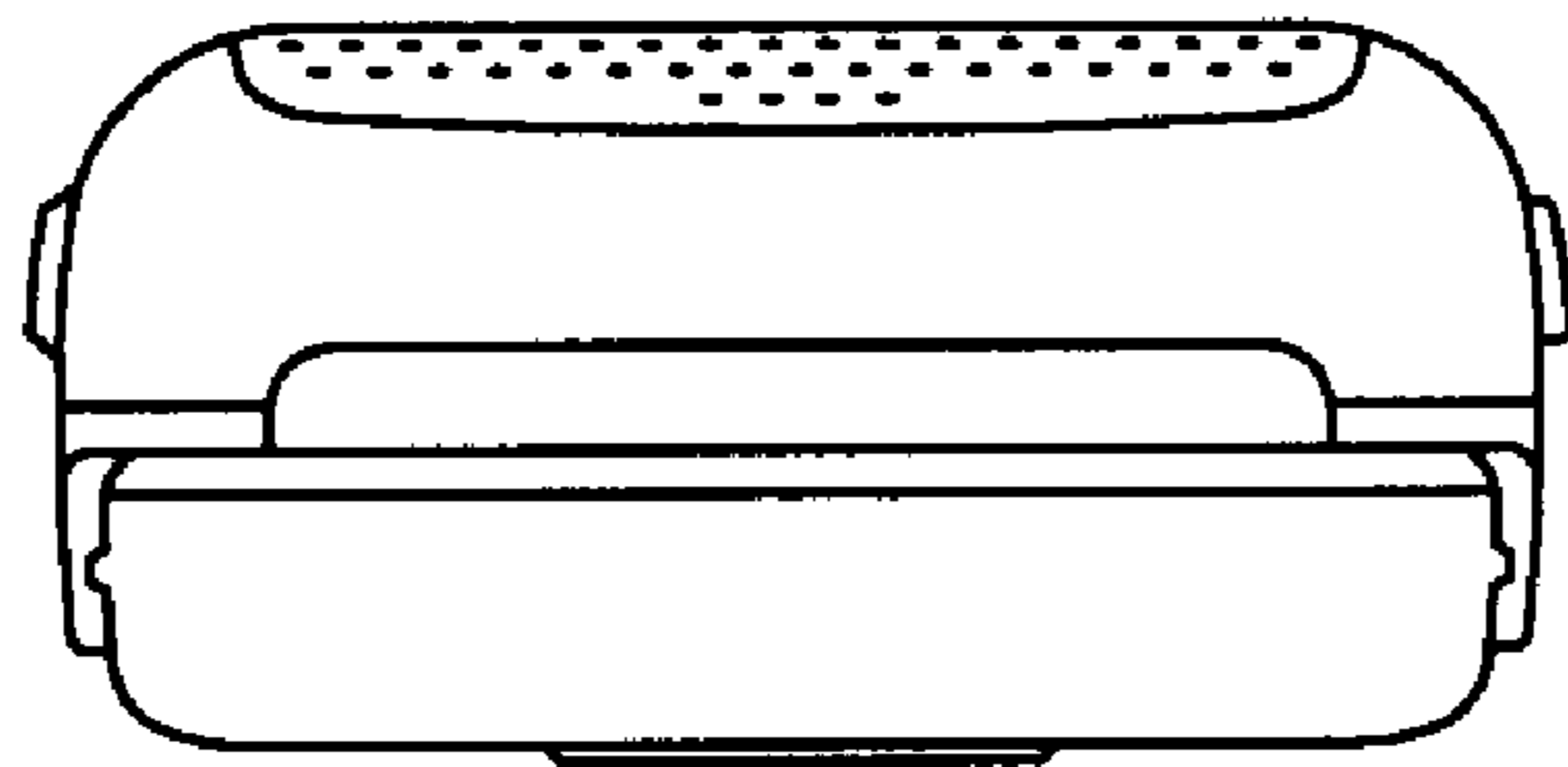


FIG. 7

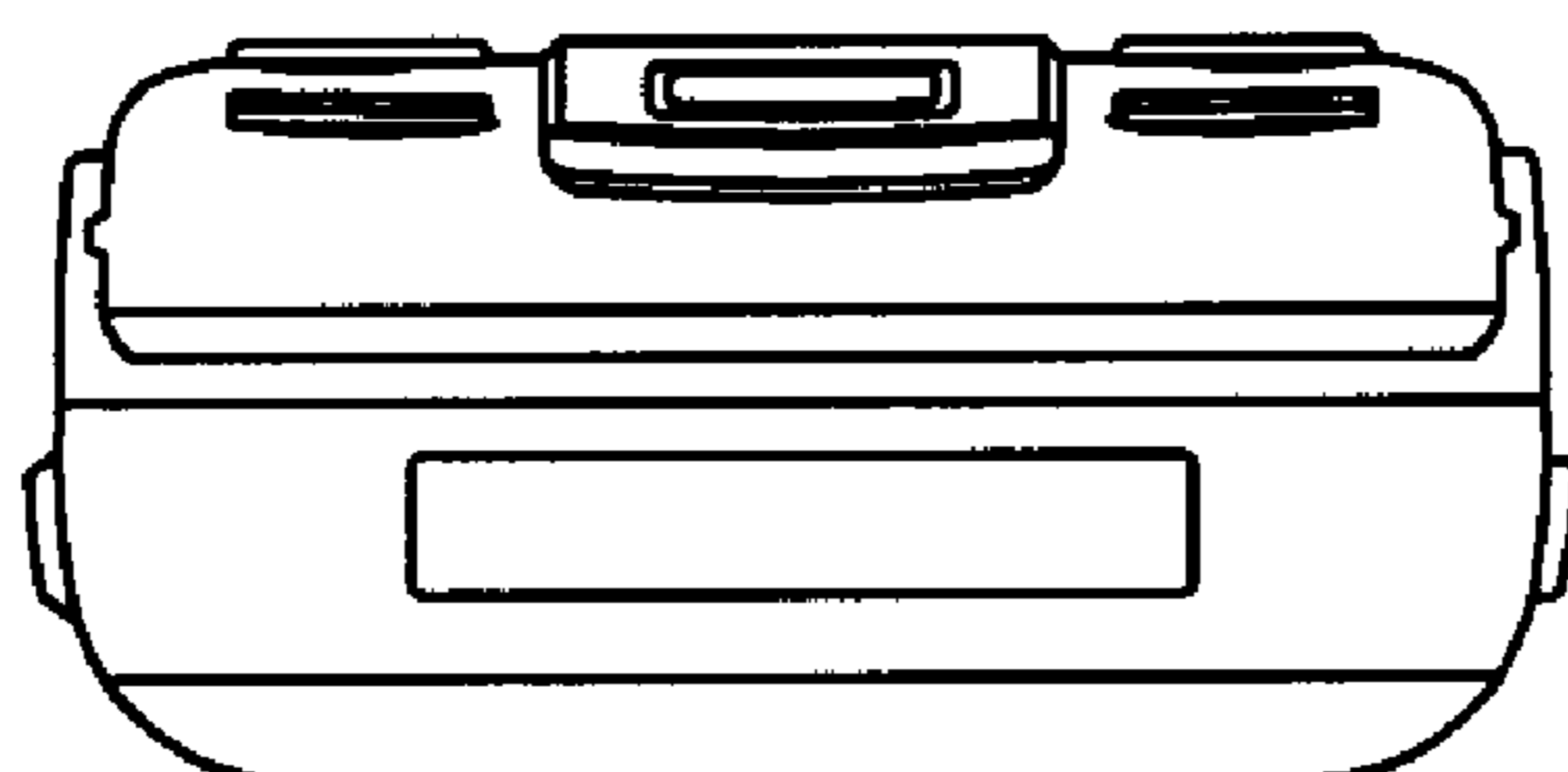


FIG. 8

