



US00D530293S

(12) **United States Design Patent**
Moriya et al.

(10) **Patent No.:** **US D530,293 S**

(45) **Date of Patent:** **** Oct. 17, 2006**

(54) **DIGITAL VIDEO DISC RECORDER WITH VIDEO TAPE RECORDER**

D429,706 S * 8/2000 Miyazaki D14/135
D472,534 S * 4/2003 Ueno et al. D14/136
D483,728 S * 12/2003 Kim D14/136

(75) Inventors: **Toshiyuki Moriya**, Tokorozawa (JP);
Minoru Ikeda, Inagi (JP); **Hidenori Shinohara**, Hitachinaka (JP); **Yoshihiro Iwama**, Kokubunji (JP)

* cited by examiner

Primary Examiner—Nanda Bondade
(74) *Attorney, Agent, or Firm*—Antonelli, Terry, Stout and Kraus, LLP

(73) Assignee: **Hitachi, Ltd.**, Tokyo (JP)

(**) Term: **14 Years**

(57) **CLAIM**

We claim the ornamental design for a digital video disc recorder with video tape recorder, as shown.

(21) Appl. No.: **29/232,979**

(22) Filed: **Jun. 27, 2005**

DESCRIPTION

(30) **Foreign Application Priority Data**

Dec. 28, 2004 (JP) 2004-040131

FIG. 1 is a front, top and right side perspective view of a digital video disc recorder with video tape recorder showing our new design;

(51) **LOC (8) Cl.** **14-01**

FIG. 2 is a front elevational view thereof;

(52) **U.S. Cl.** **D14/135; D14/136**

FIG. 3 is a rear elevational view thereof;

(58) **Field of Classification Search** D14/135-136,

FIG. 4 is a right side elevational view thereof;

D14/156-157, 167-168, 193-198, 188, 357,

FIG. 5 is a left side elevational view thereof;

D14/445; 360/99.02, 99.07; 369/75.11, 75.21,

FIG. 6 is a top plan view thereof;

369/77.21, 77.11; 720/612, 619, 647, 601,

FIG. 7 is a bottom plan view thereof;

720/655; 455/344, 347-351

FIG. 8 is a front elevational view showing the condition with the open door thereof; and,

See application file for complete search history.

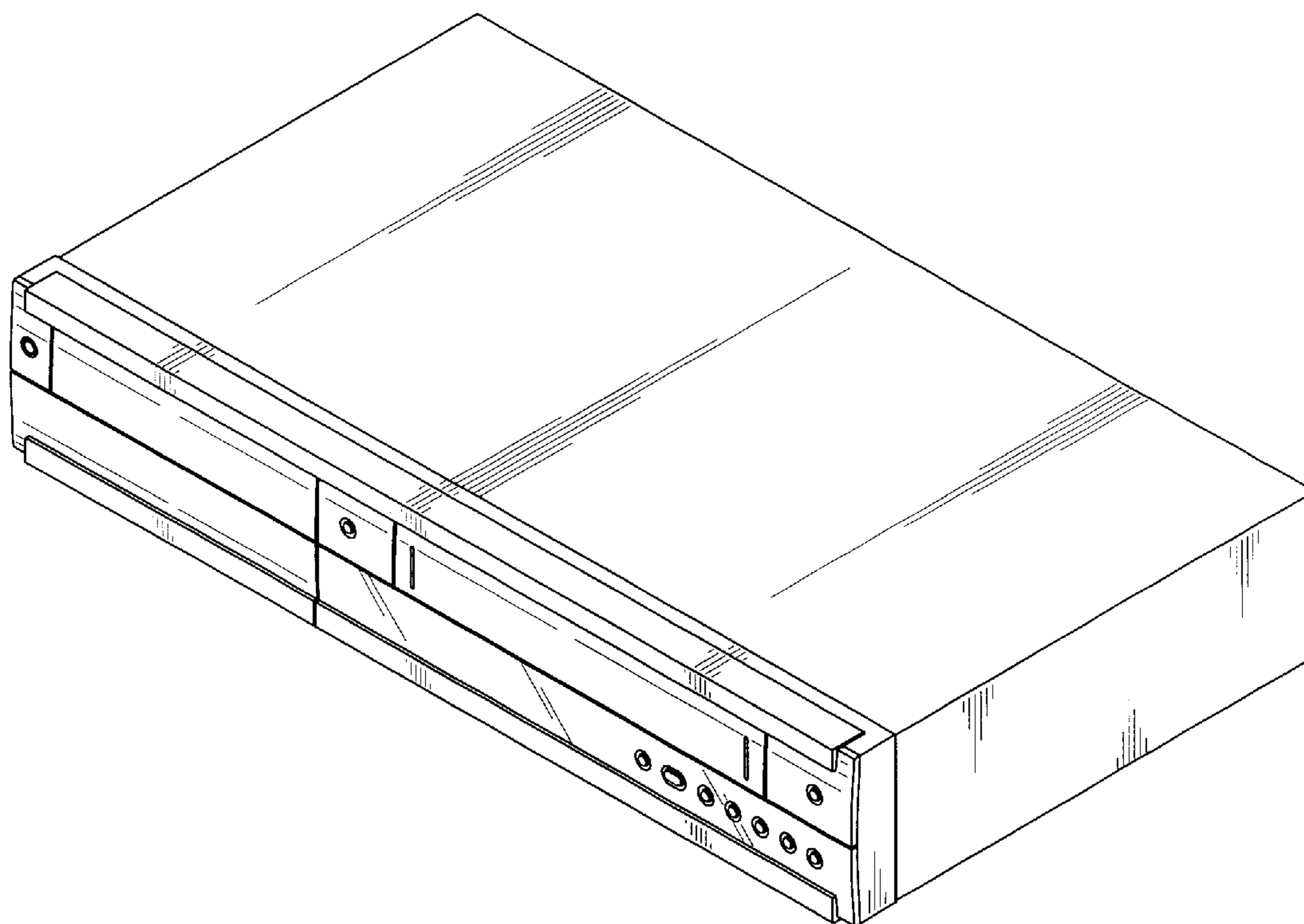
FIG. 9 is a perspective view showing the condition with the disc tray drawn out.

(56) **References Cited**

U.S. PATENT DOCUMENTS

5,172,360 A * 12/1992 Decoster 720/601

1 Claim, 7 Drawing Sheets



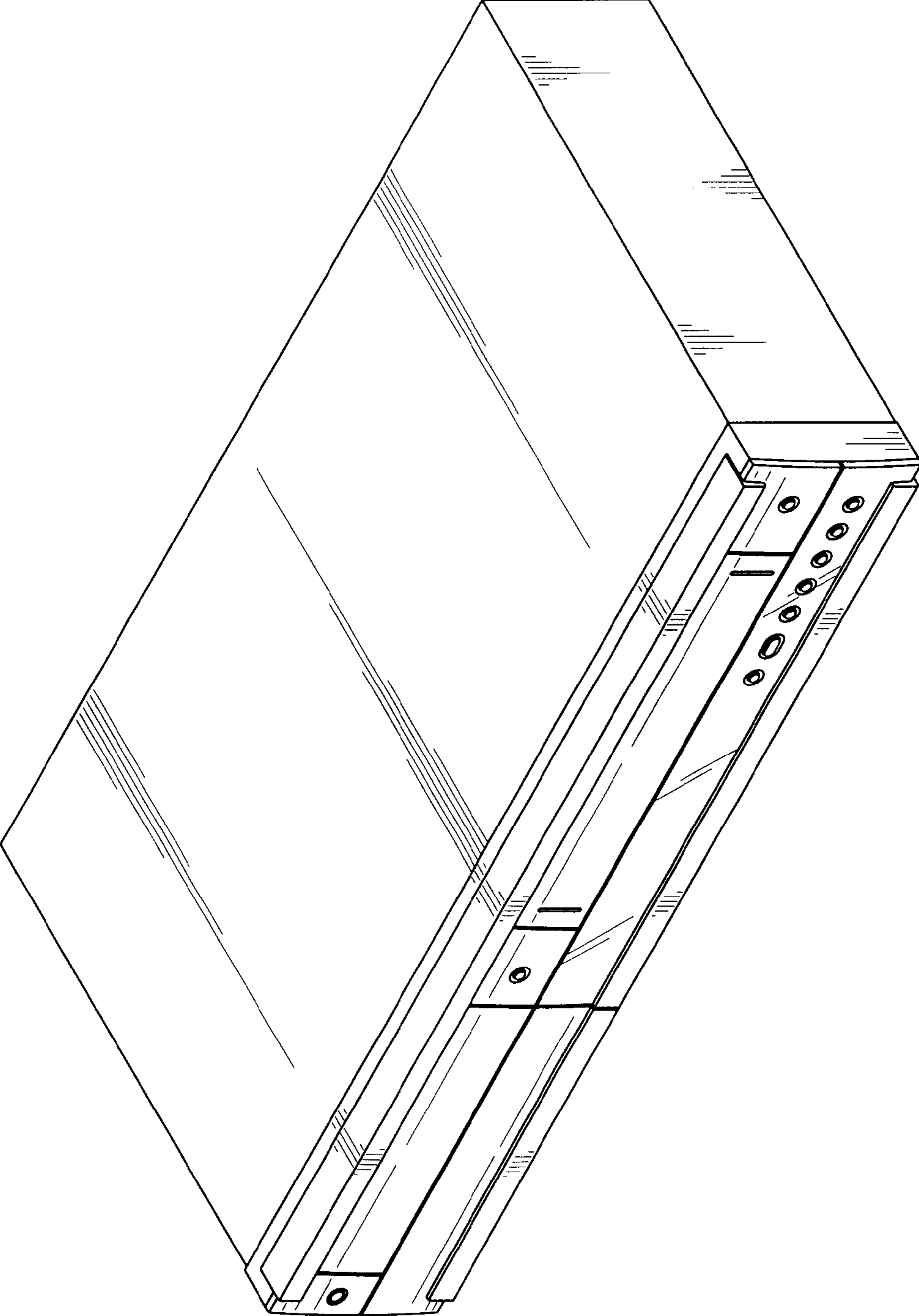


FIG. 1

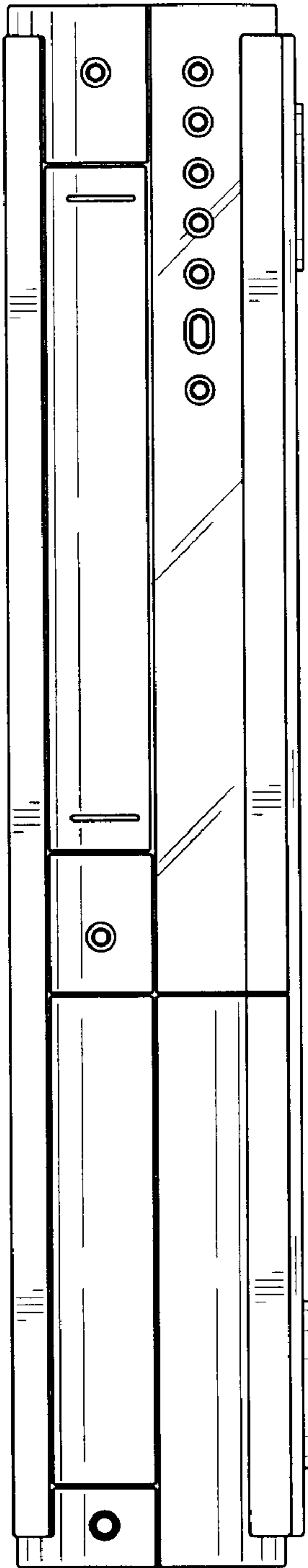


FIG. 2

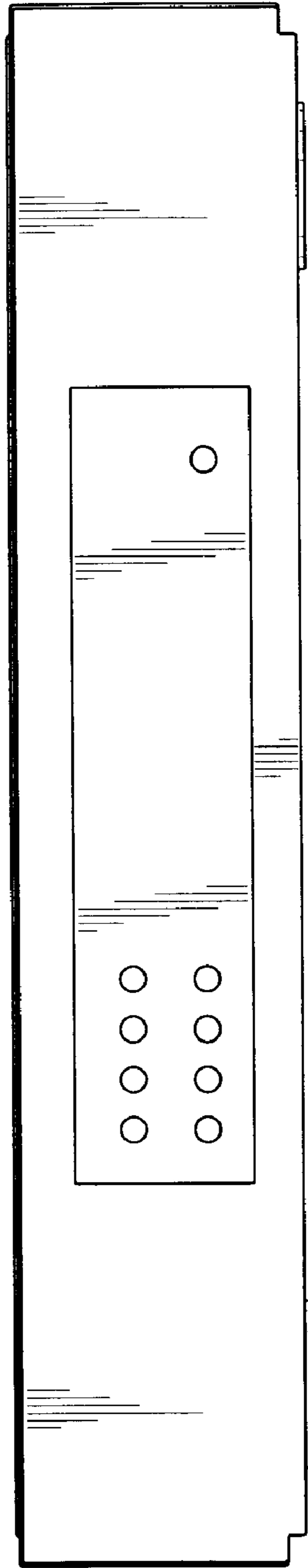


FIG. 3

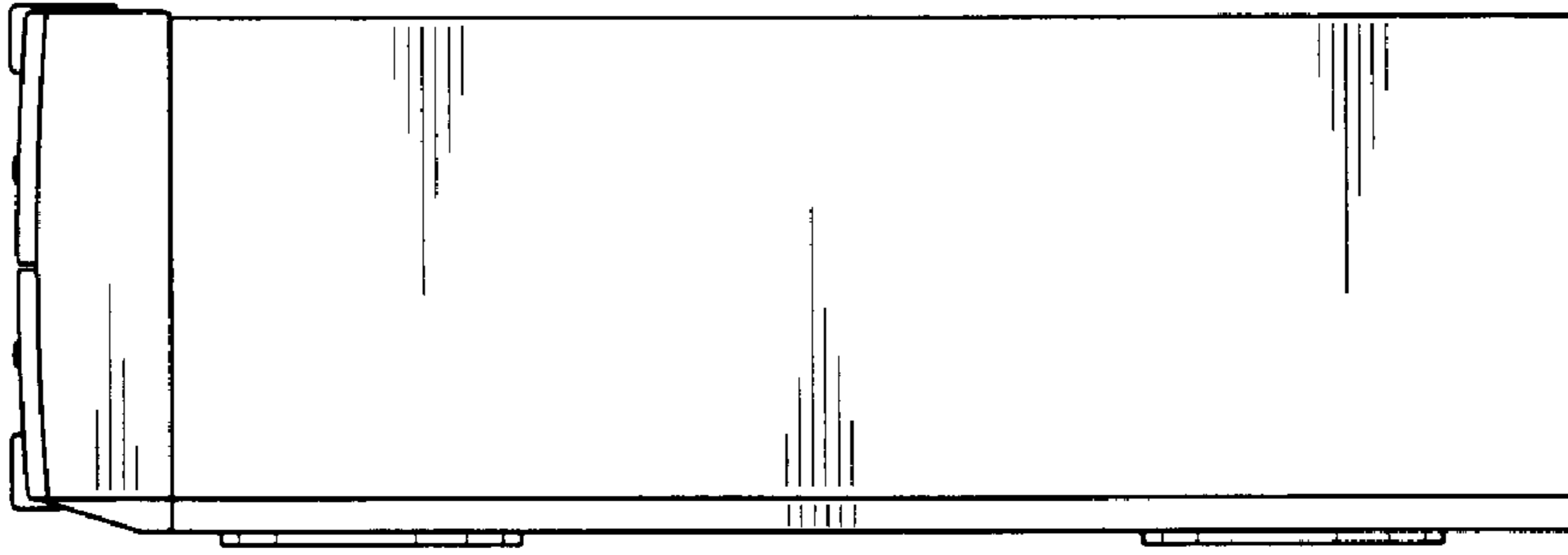


FIG. 4

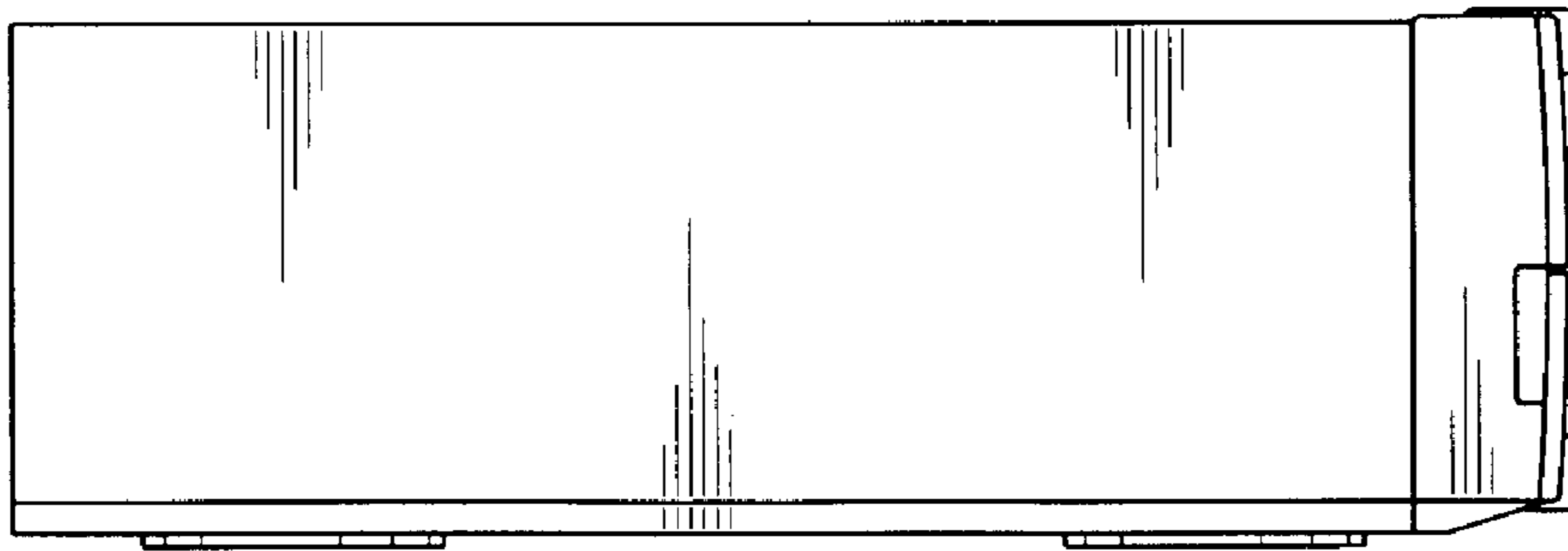


FIG. 5

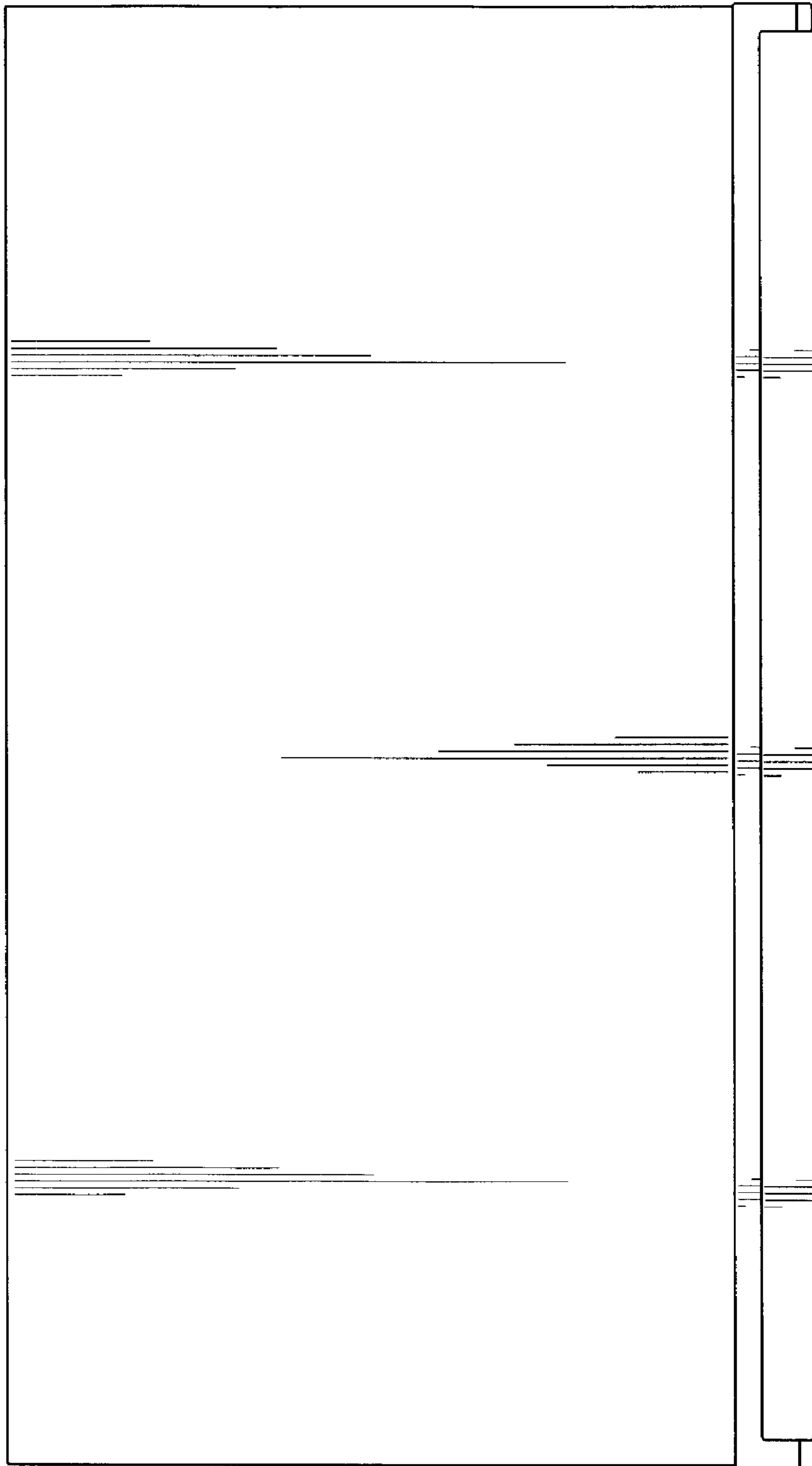


FIG. 6



FIG. 7

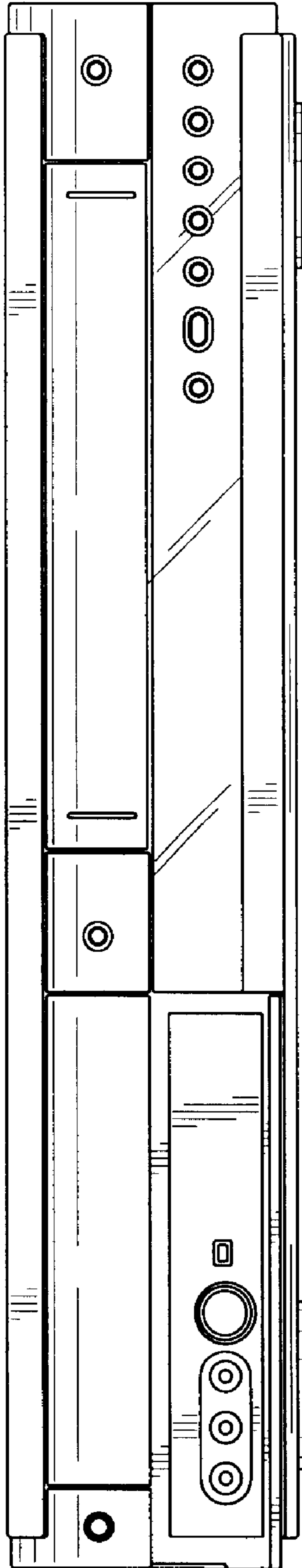


FIG. 8

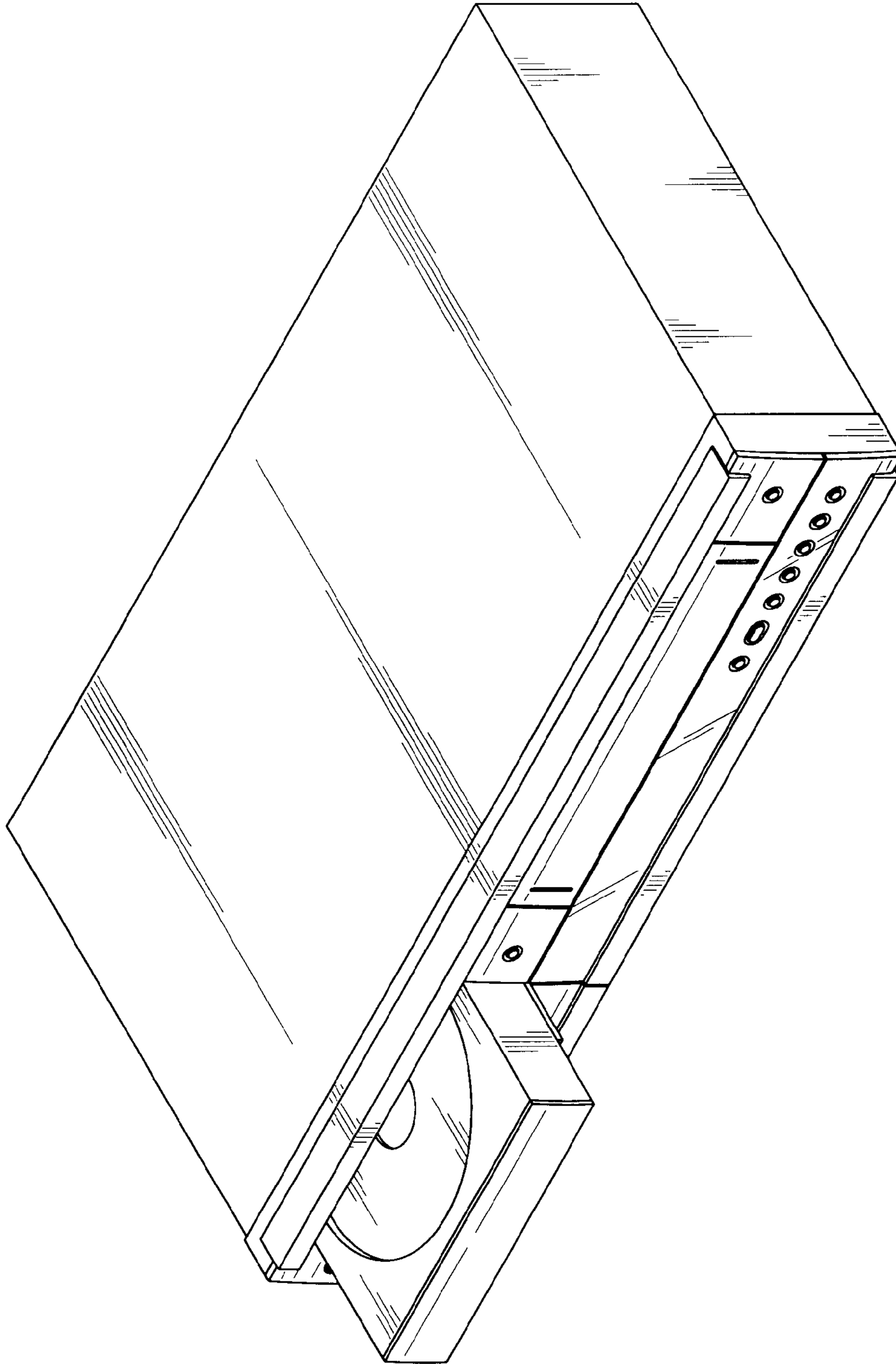


FIG. 9