



US00D530291S

(12) **United States Design Patent**
Hoehn et al.

(10) **Patent No.:** **US D530,291 S**
(45) **Date of Patent:** **** Oct. 17, 2006**

(54) **TELEVISION SET**

(75) Inventors: **Holger Hoehn**, Taipei (TW); **Reinier Bloem**, Taipei (TW)

(73) Assignee: **Hannspree Inc.**, Taipei (TW)

(**) Term: **14 Years**

(21) Appl. No.: **29/230,047**

(22) Filed: **May 16, 2005**

(30) **Foreign Application Priority Data**

Dec. 13, 2004 (TW) 93307629

(51) **LOC (8) Cl.** **14-03**

(52) **U.S. Cl.** **D14/126**

(58) **Field of Classification Search** D14/125-134,
D14/239, 371, 136, 374-377; 312/7.2; 348/836,
348/838, 180, 184, 325, 739; 341/12; 248/917-924,
248/465; 345/104, 133, 156, 168, 87, 173;
720/605, 669, 600, 655; 369/99, 197; 455/344-347
See application file for complete search history.

(56) **References Cited**

U.S. PATENT DOCUMENTS

5,072,998 A * 12/1991 Oh 312/7.2
D406,613 S * 3/1999 Nakanishi D21/329
D438,849 S * 3/2001 Adachi et al. D14/132
D448,810 S * 10/2001 Goto D21/332

D456,049 S * 4/2002 Hood D21/515
D458,910 S * 6/2002 Kita D14/126
D474,468 S * 5/2003 Zuege et al. D14/374
D493,153 S * 7/2004 Zhai et al. D14/126
D496,660 S * 9/2004 Liu D14/371
D497,351 S * 10/2004 Kita D14/134
D497,885 S * 11/2004 Esslinger et al. D14/126

OTHER PUBLICATIONS

Hong Kong Toys, p. 190, Feb. 1997.*

* cited by examiner

Primary Examiner—Raphael Barkai

(74) *Attorney, Agent, or Firm*—Thomas, Kayden,
Horstemeyer & Risley

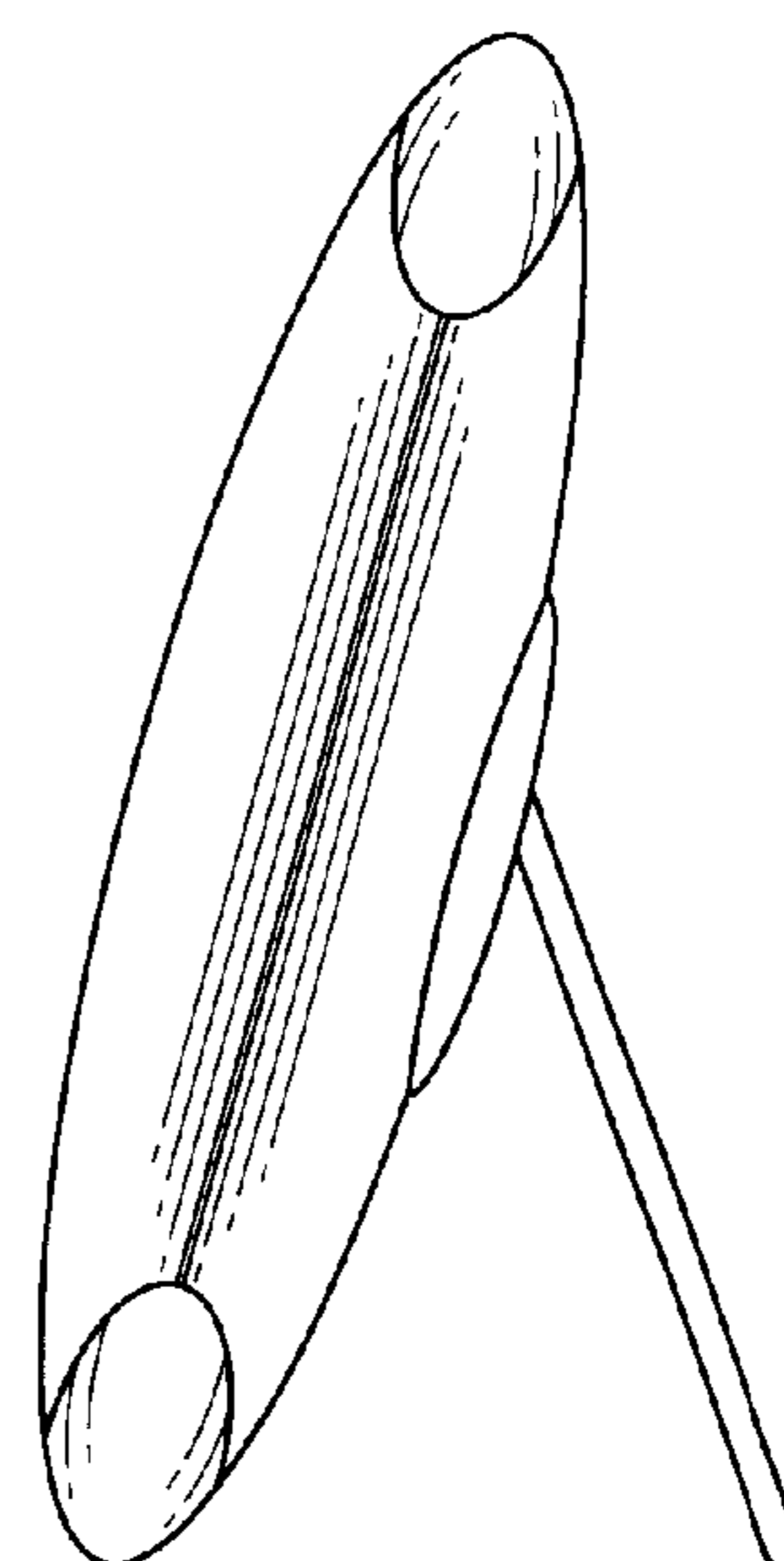
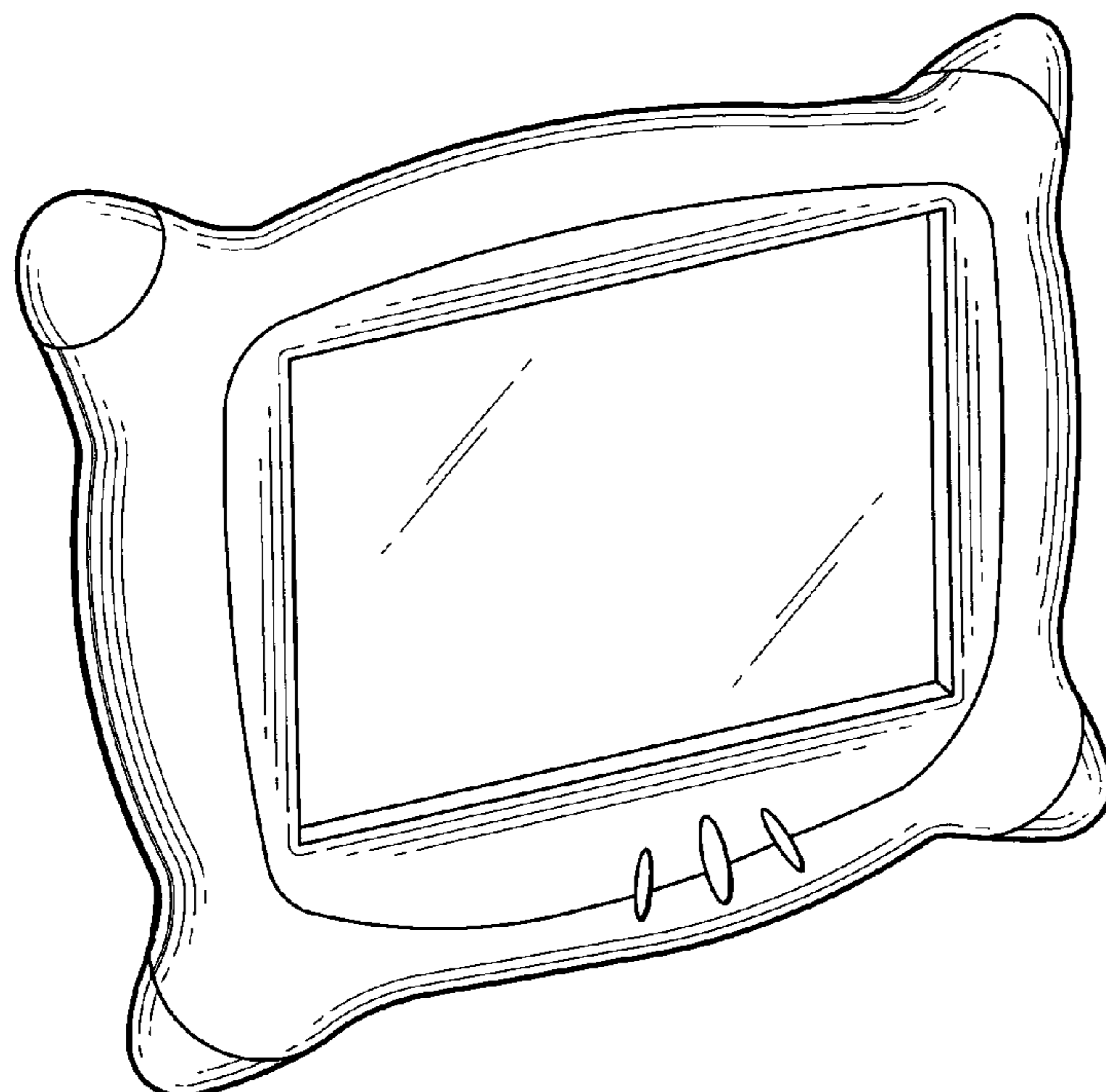
(57) **CLAIM**

The ornamental design for a television set, as shown and described.

DESCRIPTION

FIG. 1 is a front perspective view thereof;
FIG. 2 is a front elevational view thereof;
FIG. 3 is a rear elevational view thereof;
FIG. 4 is a left side elevational view thereof;
FIG. 5 is a right side elevational view thereof;
FIG. 6 is a top plan view thereof; and,
FIG. 7 is a bottom plan view thereof.

1 Claim, 7 Drawing Sheets



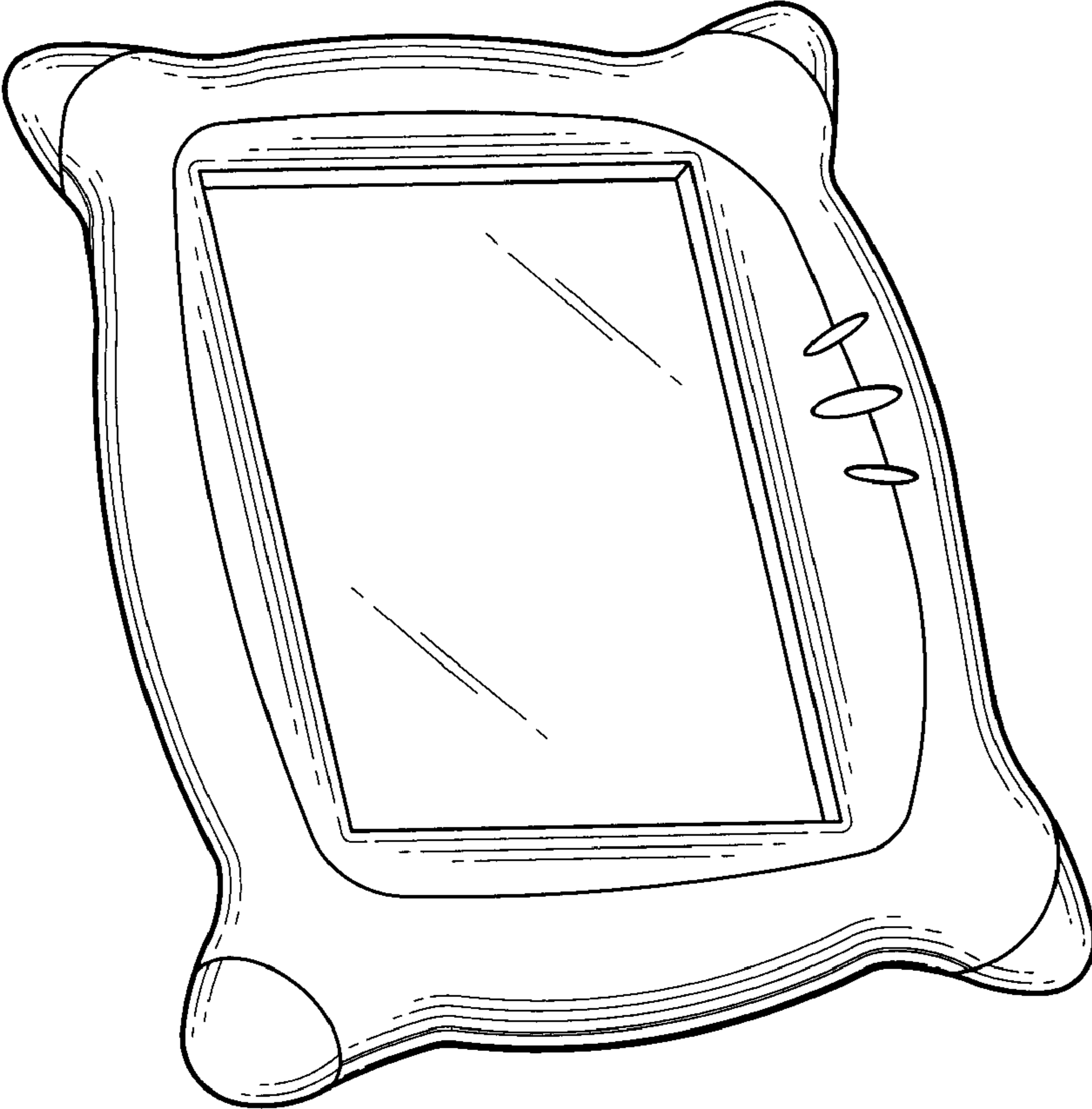


FIG. 1

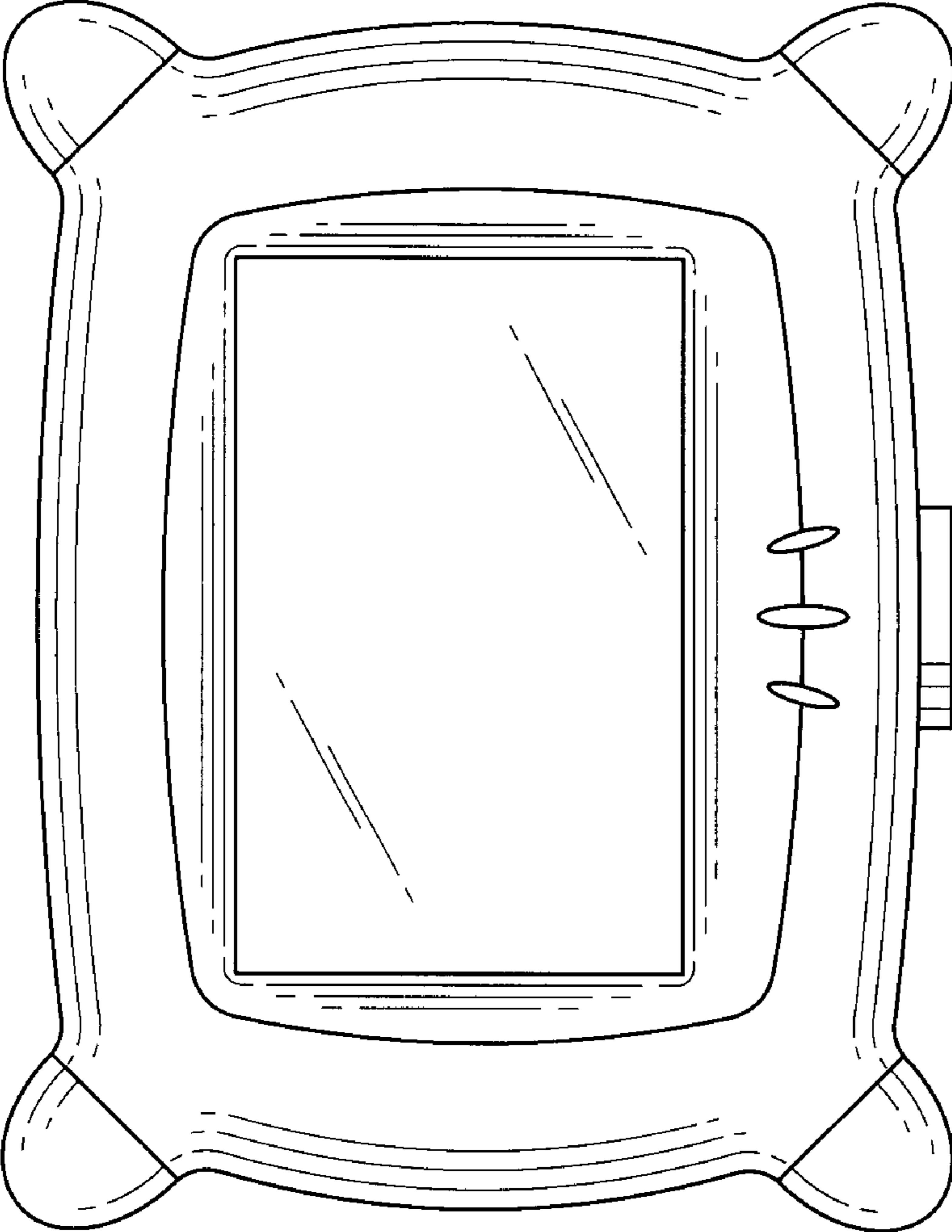


FIG. 2

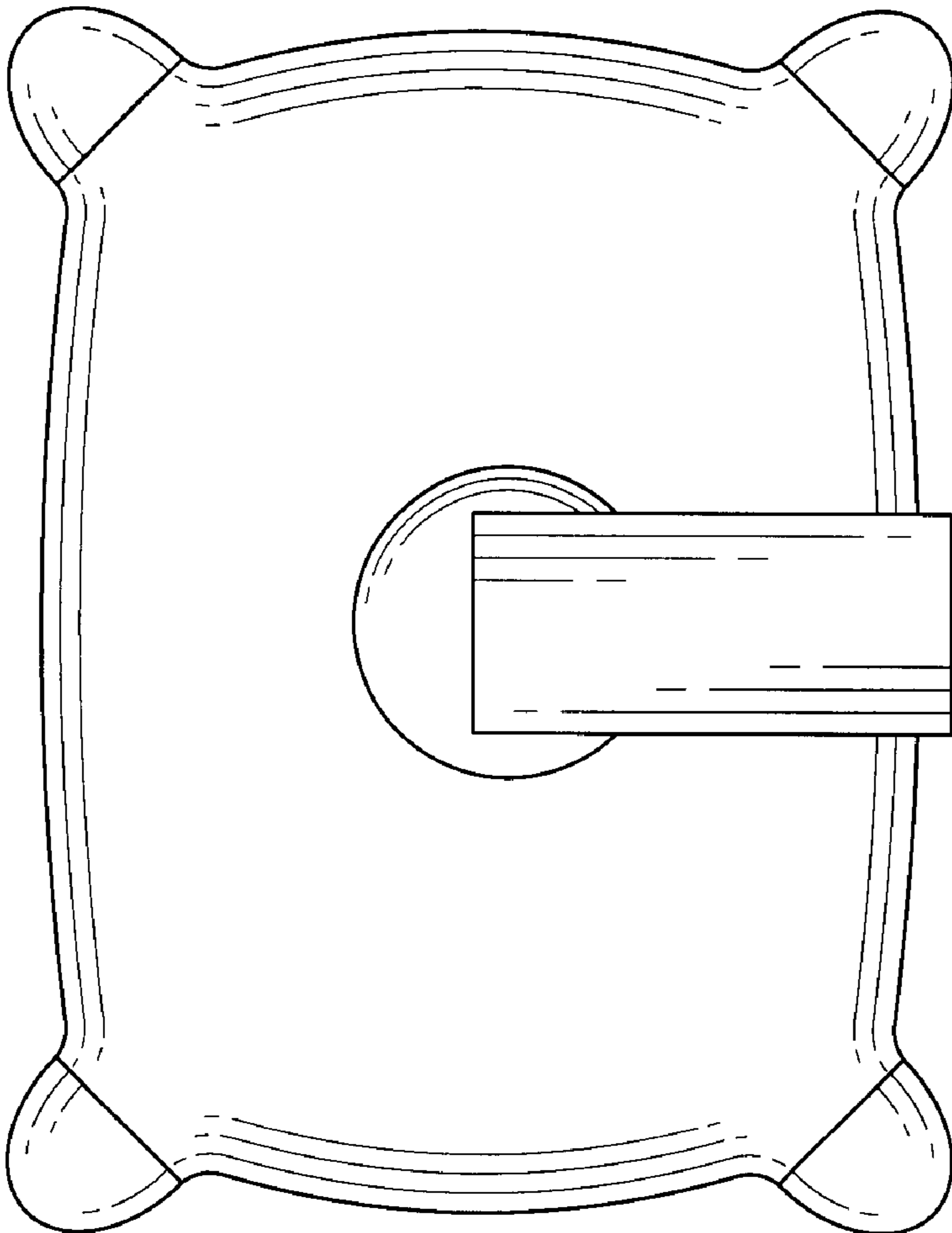


FIG. 3

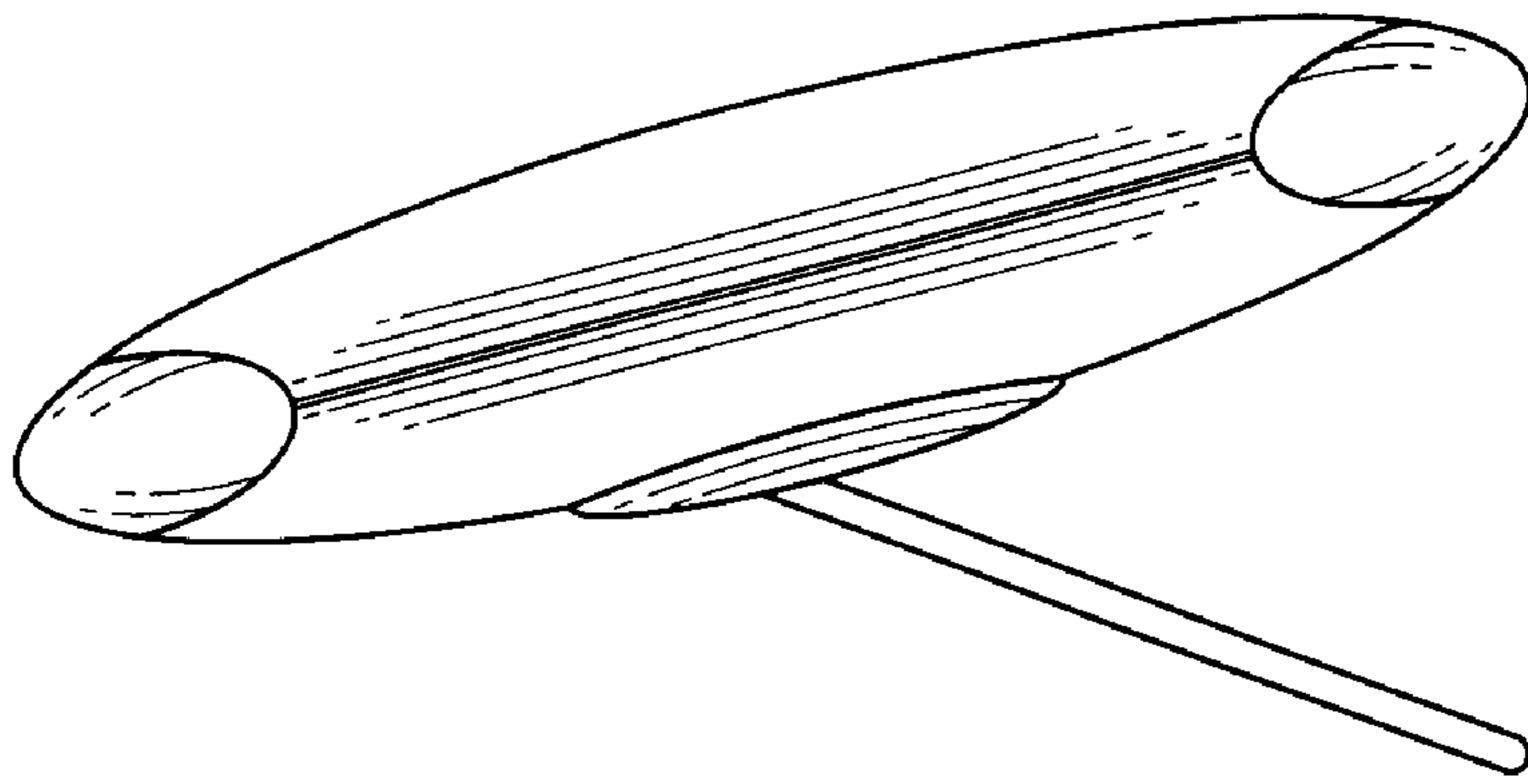


FIG. 4

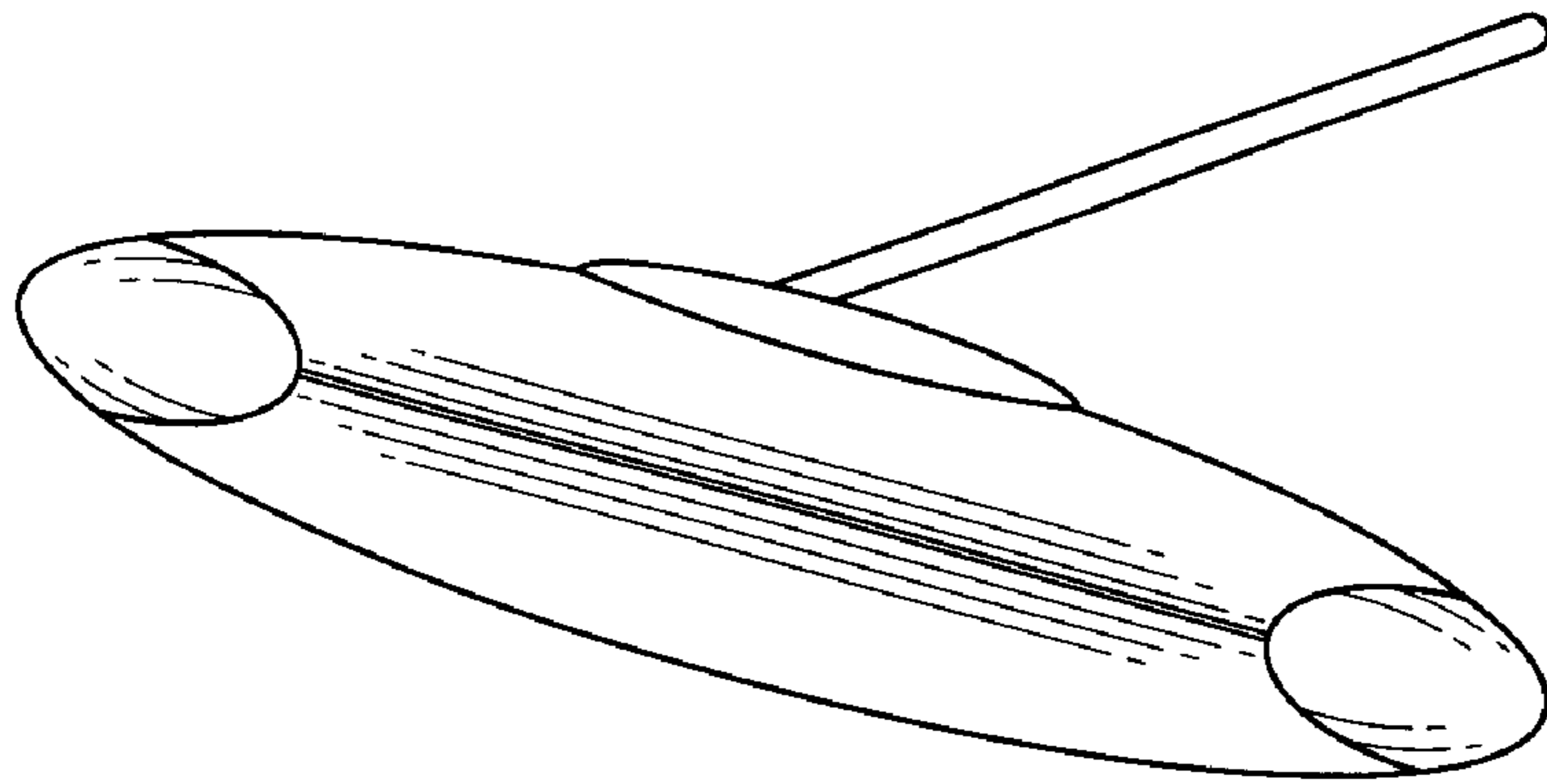


FIG. 5

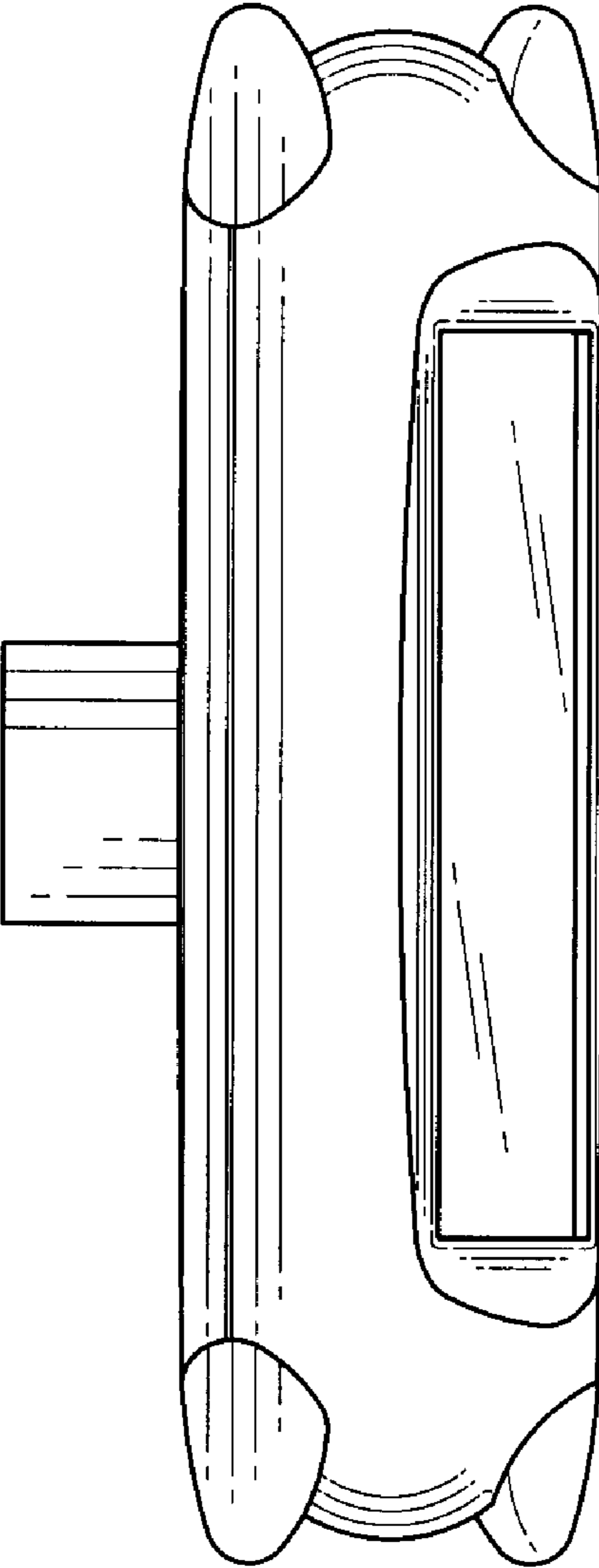


FIG. 6

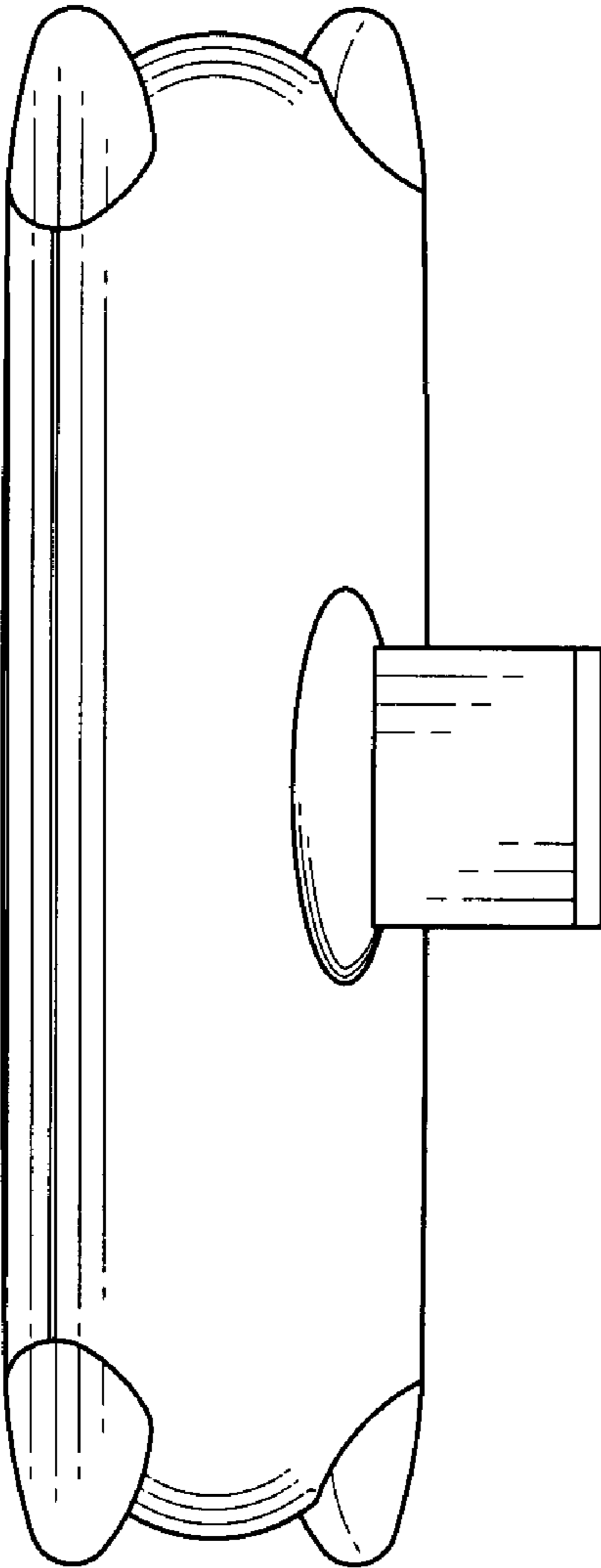


FIG. 7